



US00D592429S

(12) **United States Design Patent**  
**Lovegrove**

(10) **Patent No.:** **US D592,429 S**

(45) **Date of Patent:** **\*\* May 19, 2009**

(54) **TABLE**

(75) Inventor: **Ross Lovegrove**, London (GB)

(73) Assignee: **Knoll, Inc.**, East Greenville, PA (US)

(\*\*) Term: **14 Years**

(21) Appl. No.: **29/307,621**

(22) Filed: **Apr. 30, 2008**

(51) **LOC (9) Cl.** ..... **06-03**

(52) **U.S. Cl.** ..... **D6/487; D6/482**

(58) **Field of Classification Search** ..... D6/480-489,  
D6/495-499, 429-431, 511, 462; 108/150,  
108/153.1, 156, 157.1, 161, 50.01, 50.02;  
248/188, 188.1, 188.7, 188.8, 175, 431  
See application file for complete search history.

(56) **References Cited**

**U.S. PATENT DOCUMENTS**

D401,086 S \* 11/1998 Hellwig et al. .... D6/482  
D413,212 S \* 8/1999 Dame et al. .... D6/487  
6,471,168 B1 \* 10/2002 Tseng ..... 248/188  
D470,345 S \* 2/2003 Muller ..... D6/482

**OTHER PUBLICATIONS**

Selig Tables, Mar. 23, 1973, L369 cocktail table.\*

\* cited by examiner

*Primary Examiner*—Janice E Seeger

(74) *Attorney, Agent, or Firm*—Buchanan Ingersoll & Rooney PC

(57) **CLAIM**

The ornamental design for a table, as shown and described.

**DESCRIPTION**

FIG. 1 is a perspective view of a table showing my new design;

FIG. 2 is a front elevational view thereof;

FIG. 3 is a rear elevational view thereof;

FIG. 4 is a right side elevational view thereof;

FIG. 5 is a left side elevational view thereof;

FIG. 6 is a top plan view thereof;

FIG. 7 is a bottom plan view thereof;

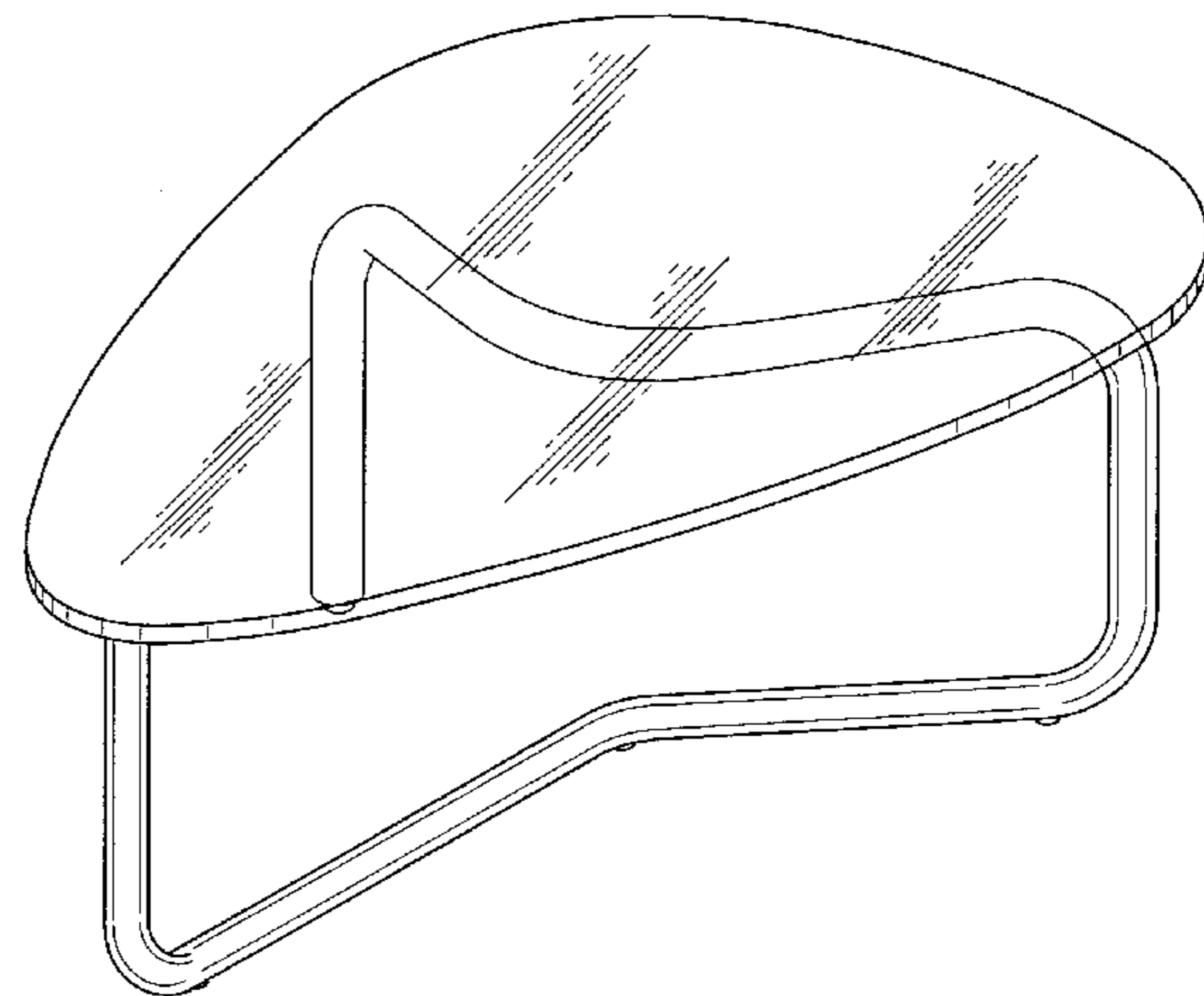
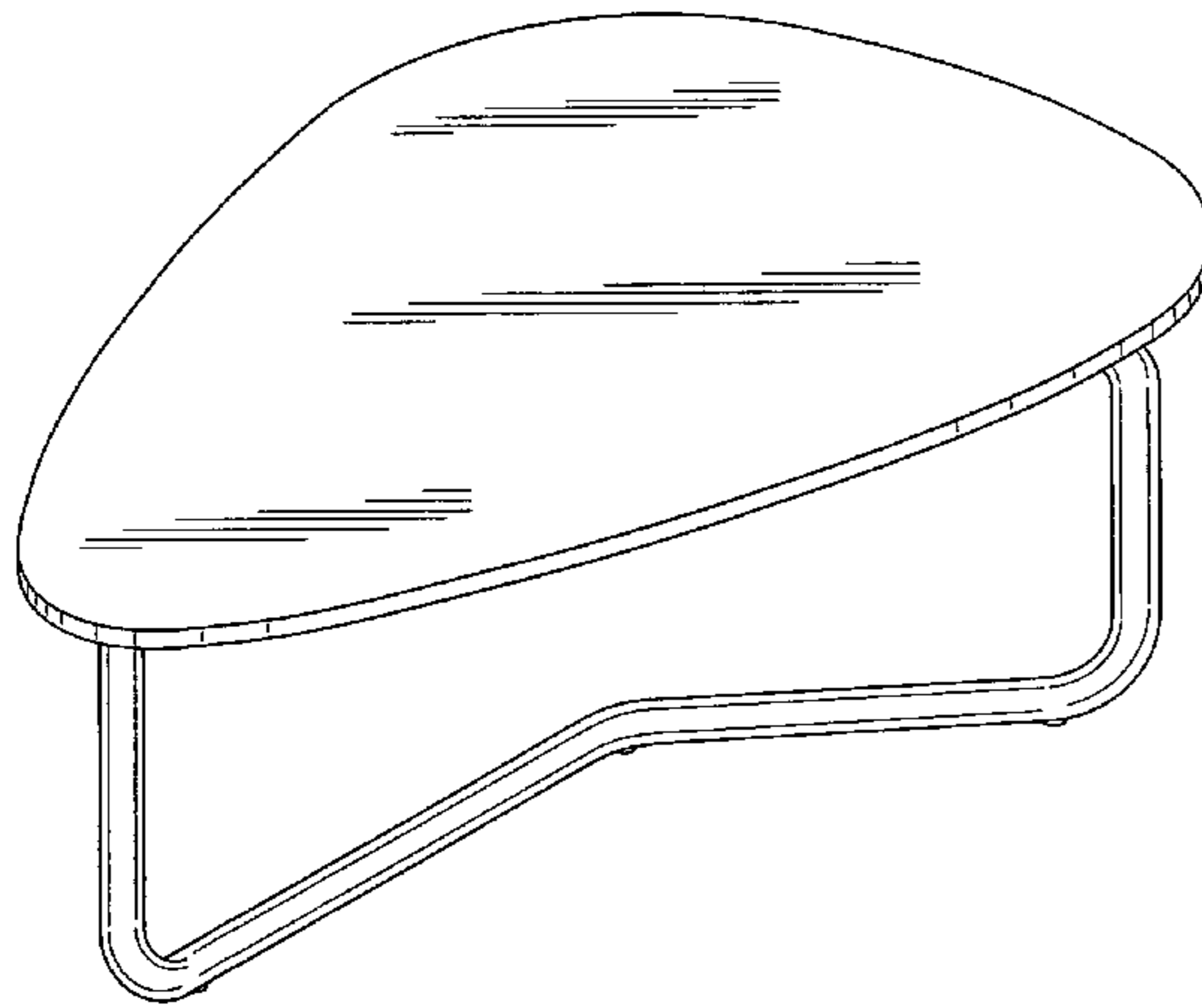
FIG. 8 is a perspective view to more fully illustrate the table without a table top;

FIG. 9 is a top plan view thereof; and,

FIG. 10 is a perspective view of an alternate embodiment of the table of FIG. 1 having a glass table top showing my design.

The table base is shown separately in FIGS. 8 and 9 for convenience of illustration.

**1 Claim, 6 Drawing Sheets**



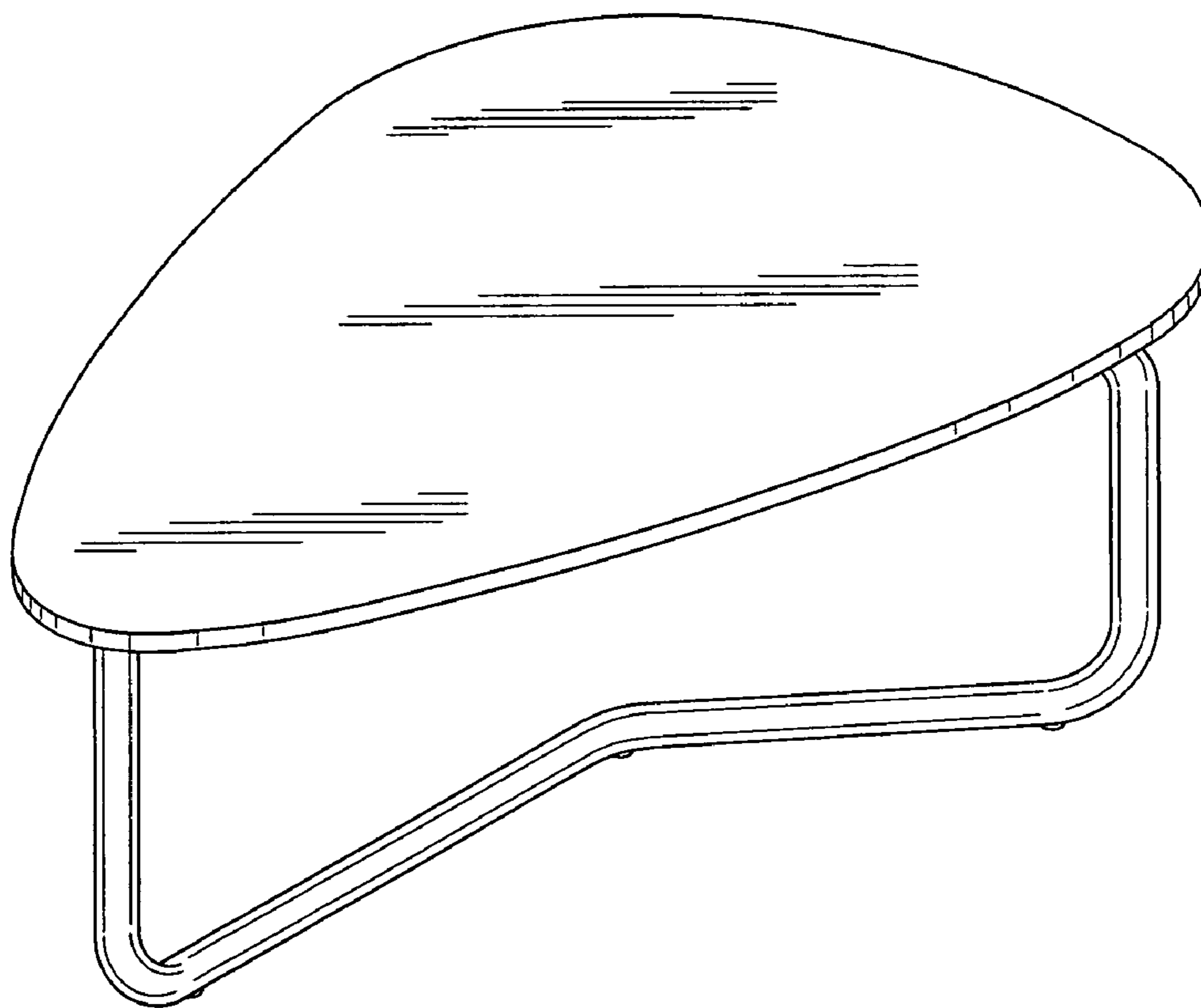


FIG. 1

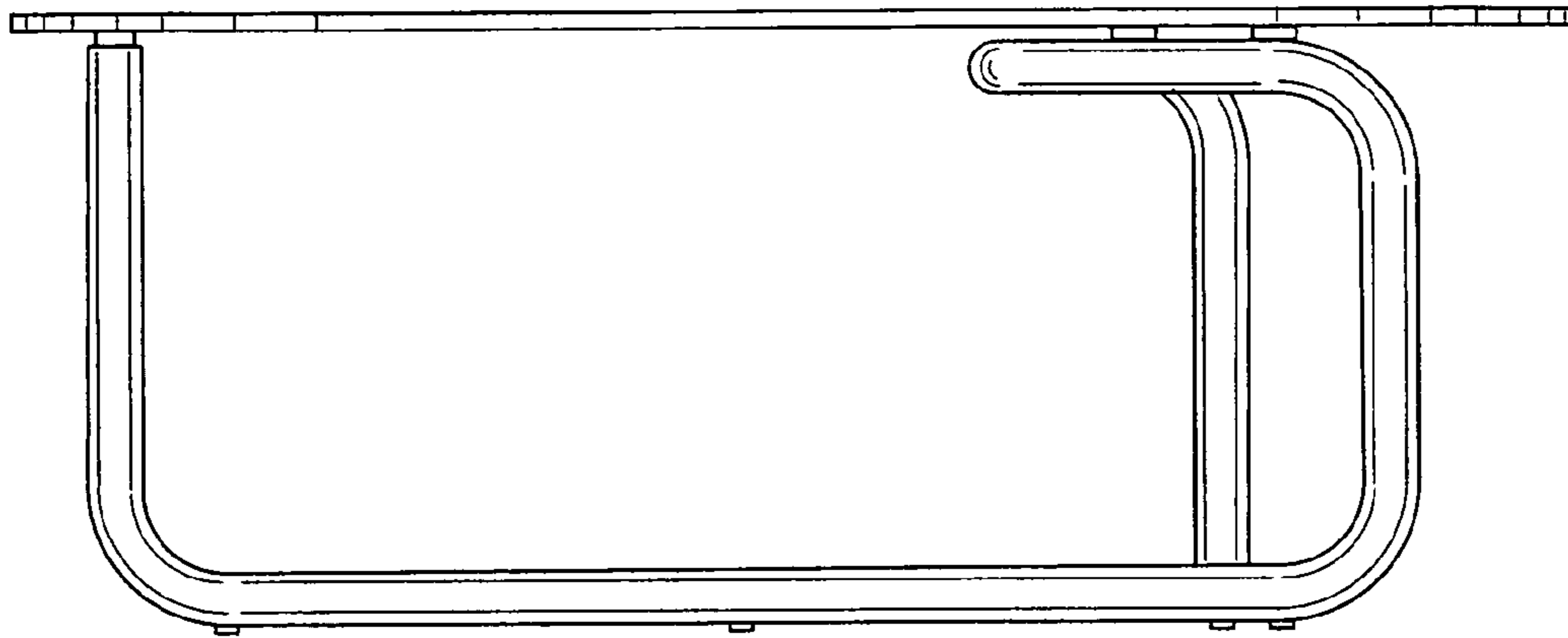


FIG. 2

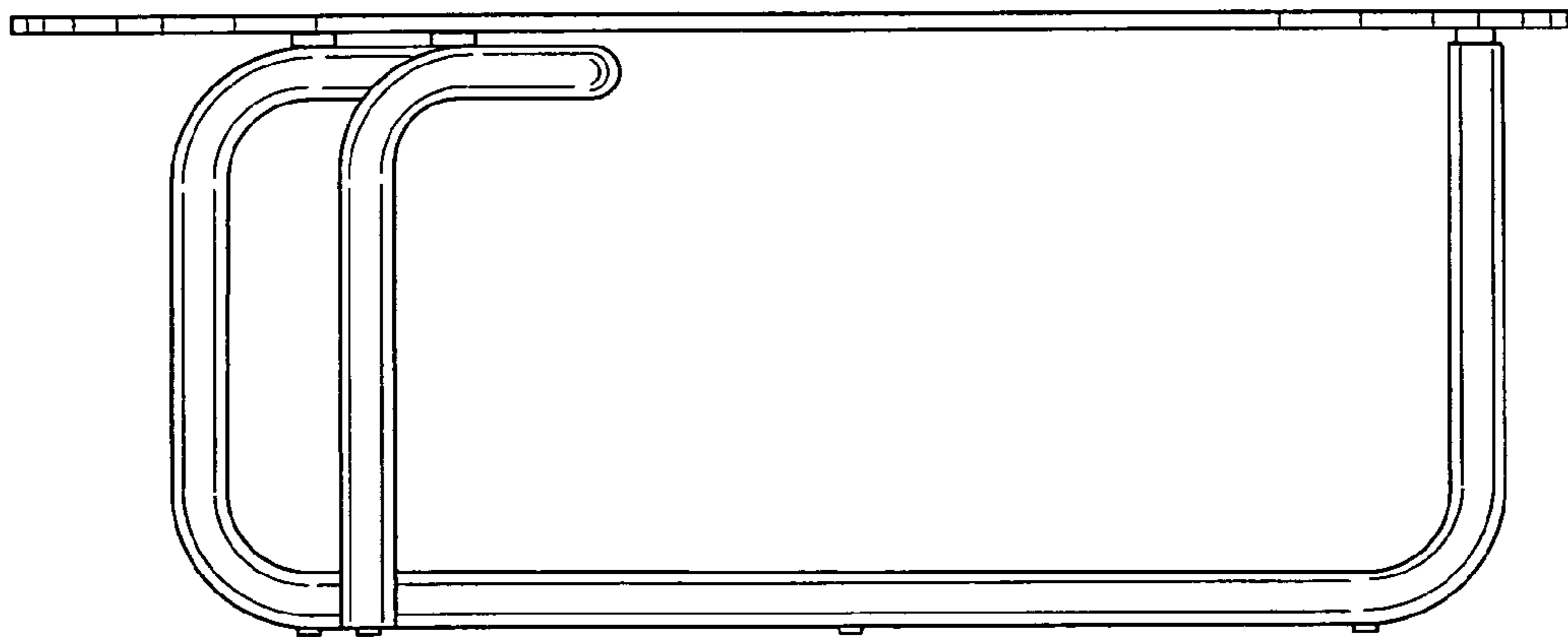


FIG. 3

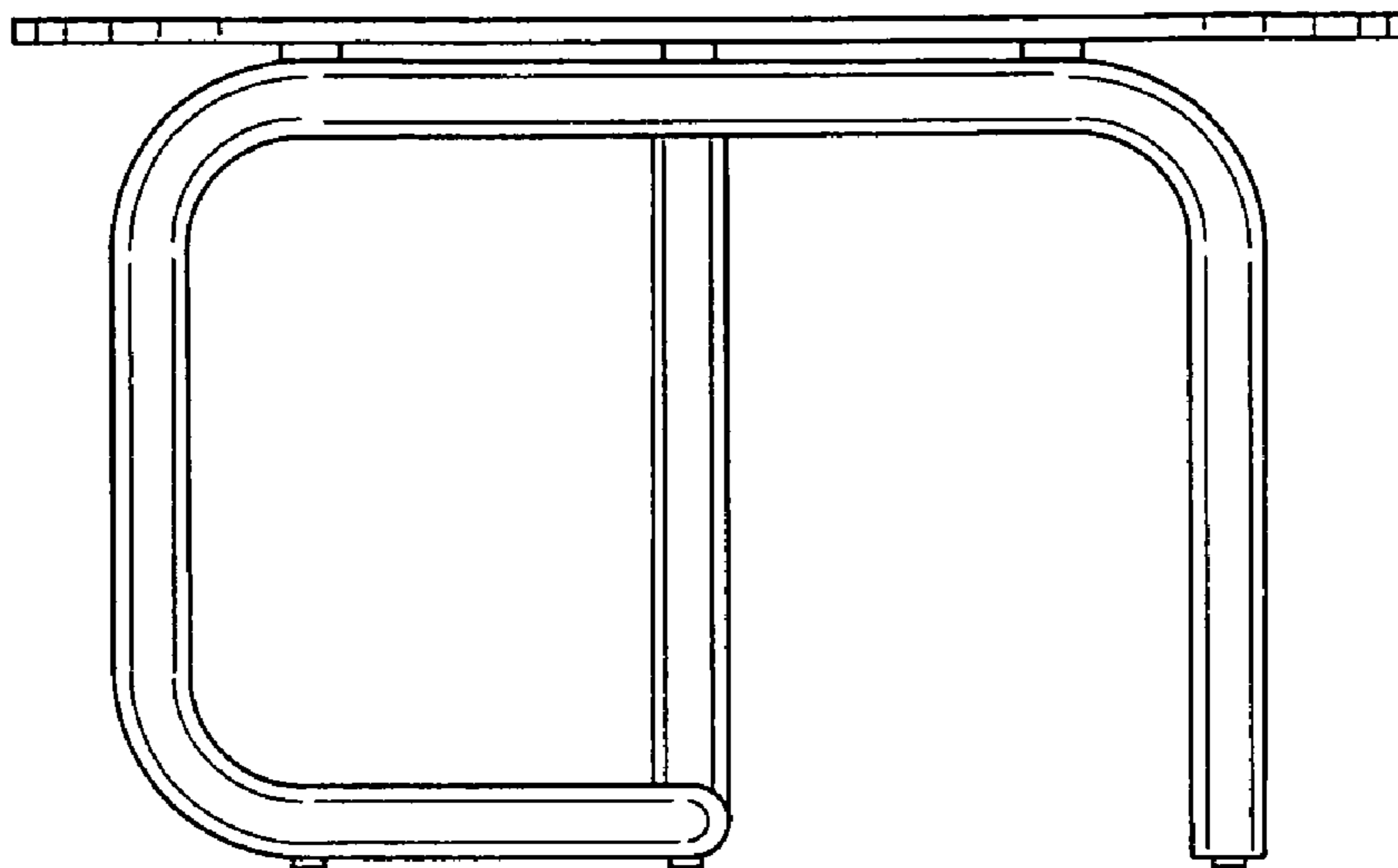


FIG. 4

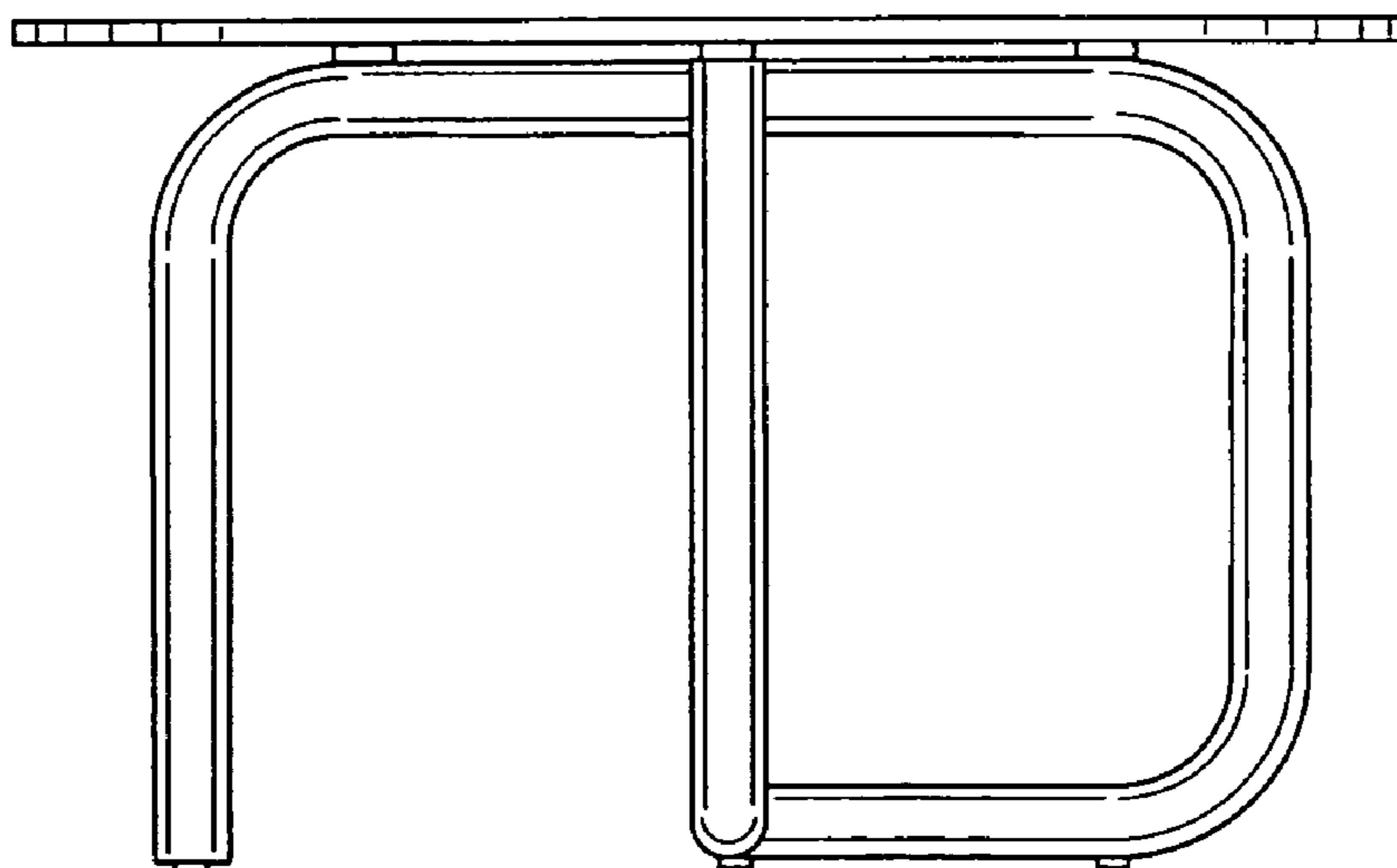


FIG. 5

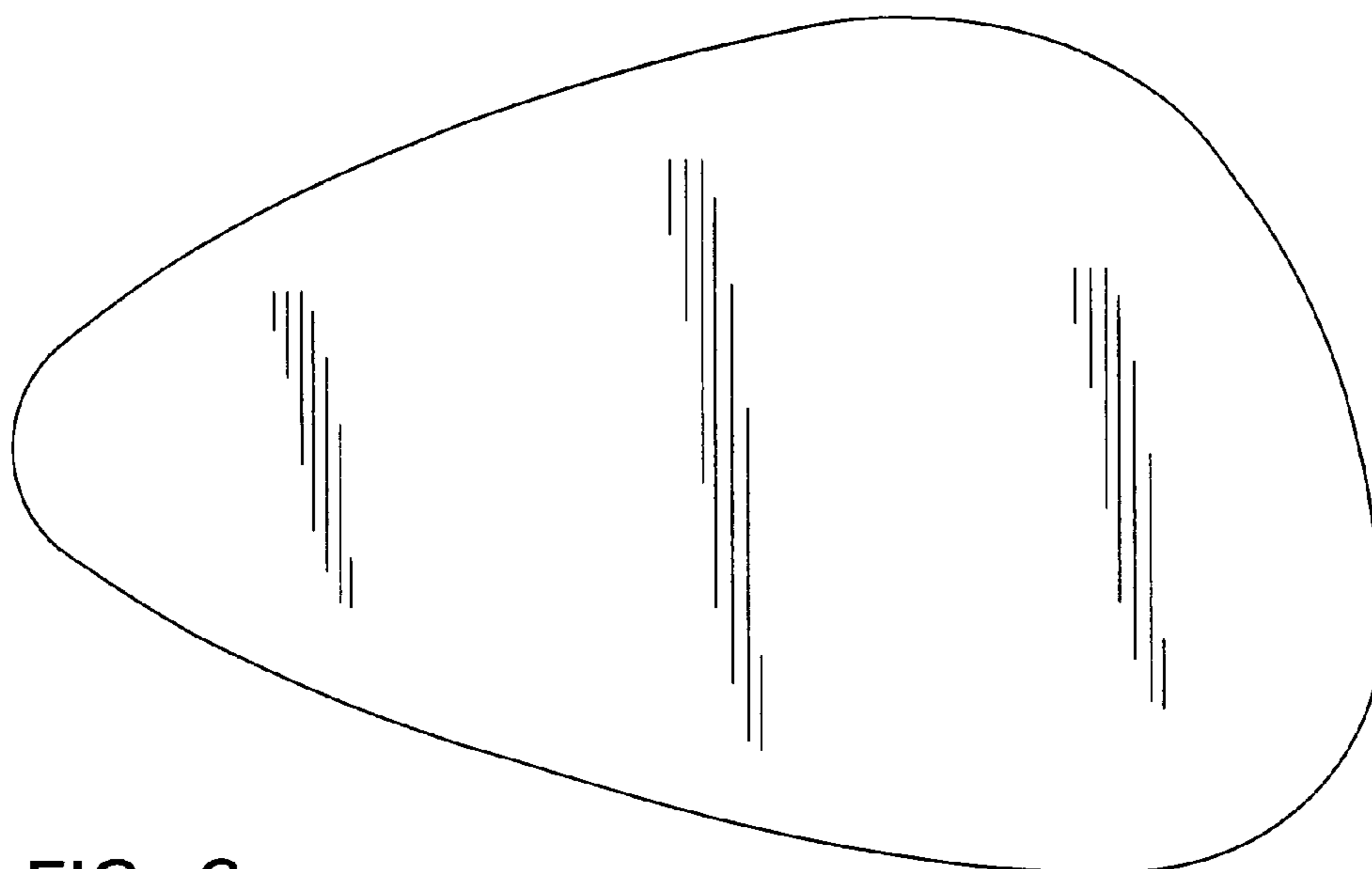


FIG. 6

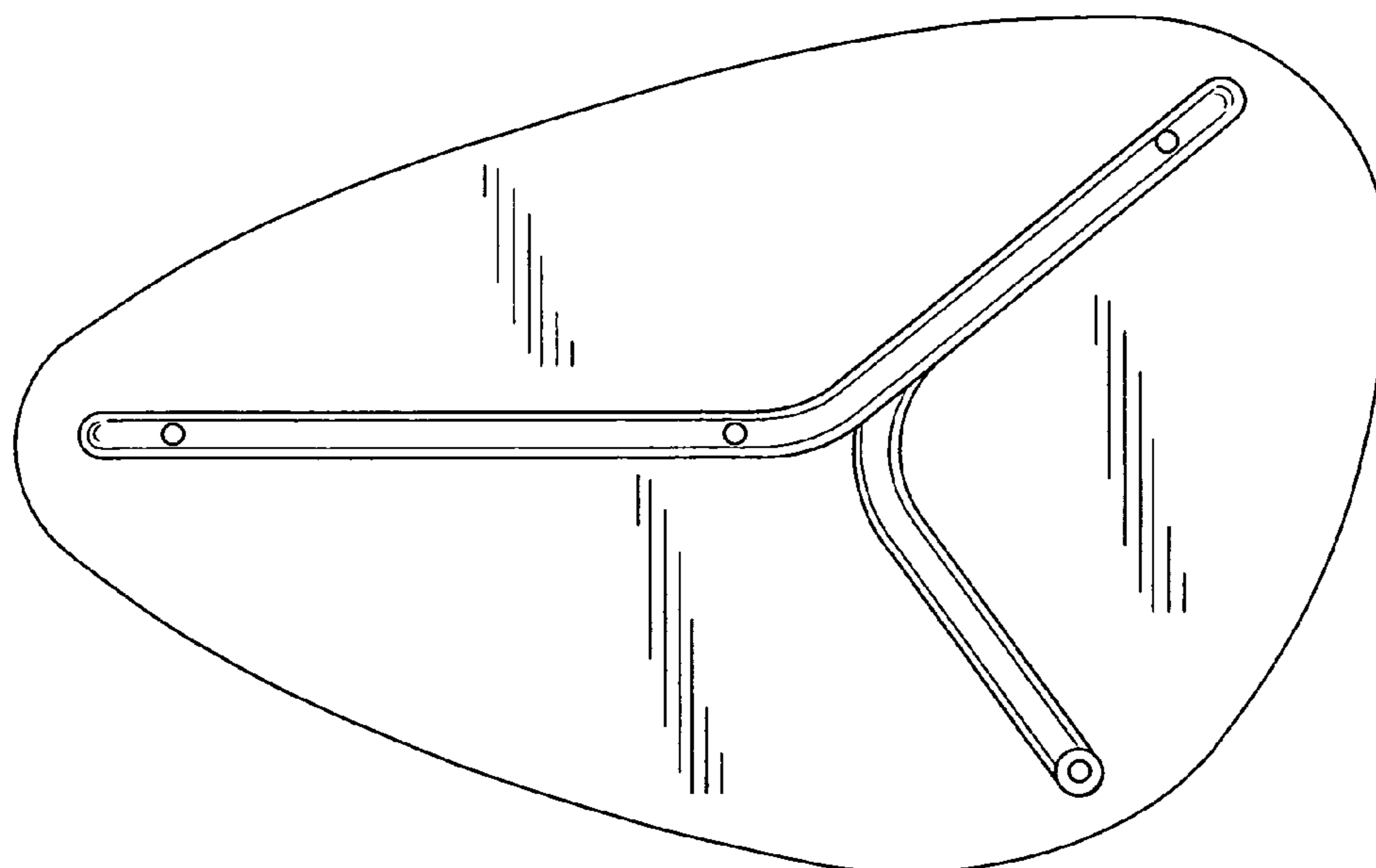


FIG. 7

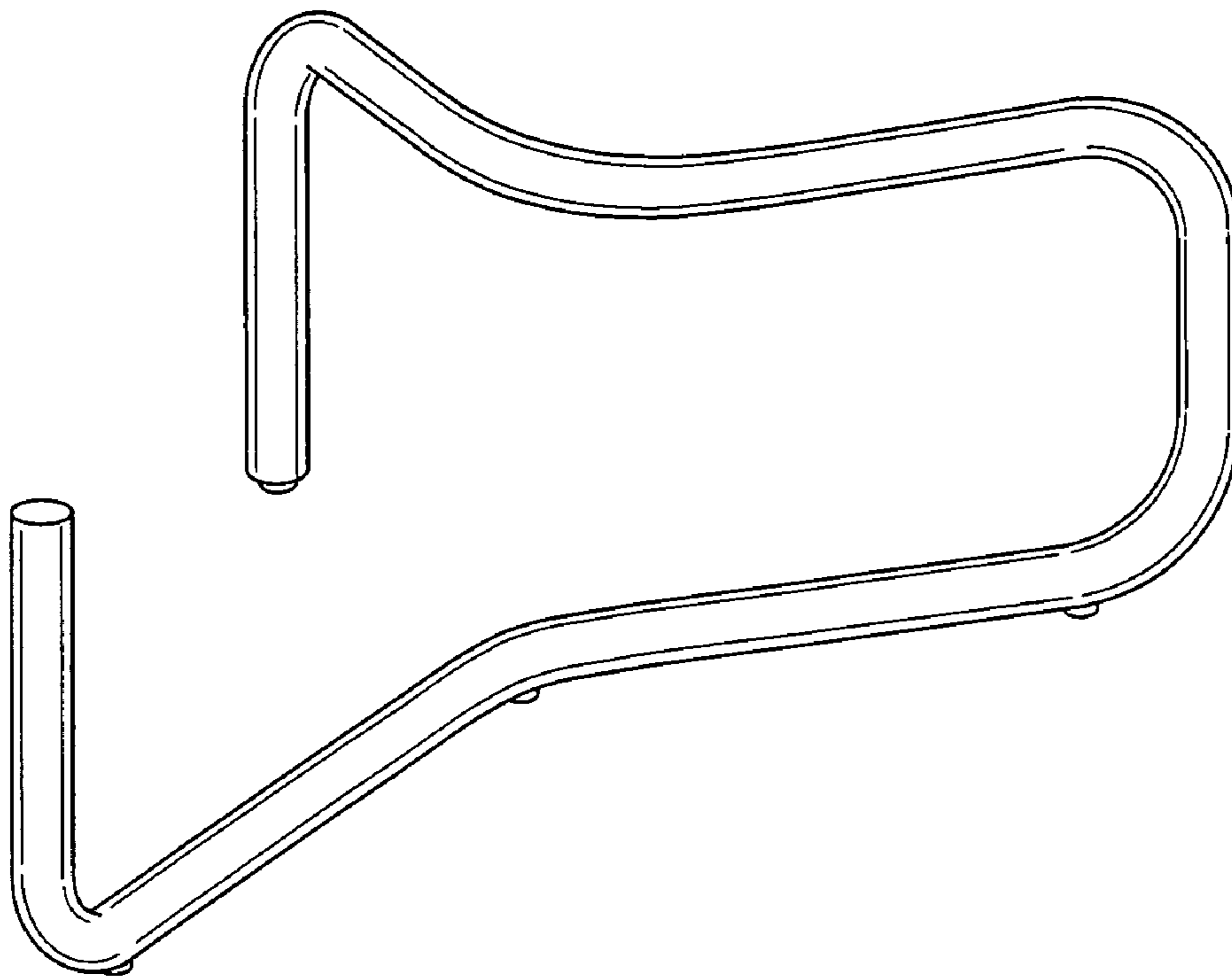


FIG. 8

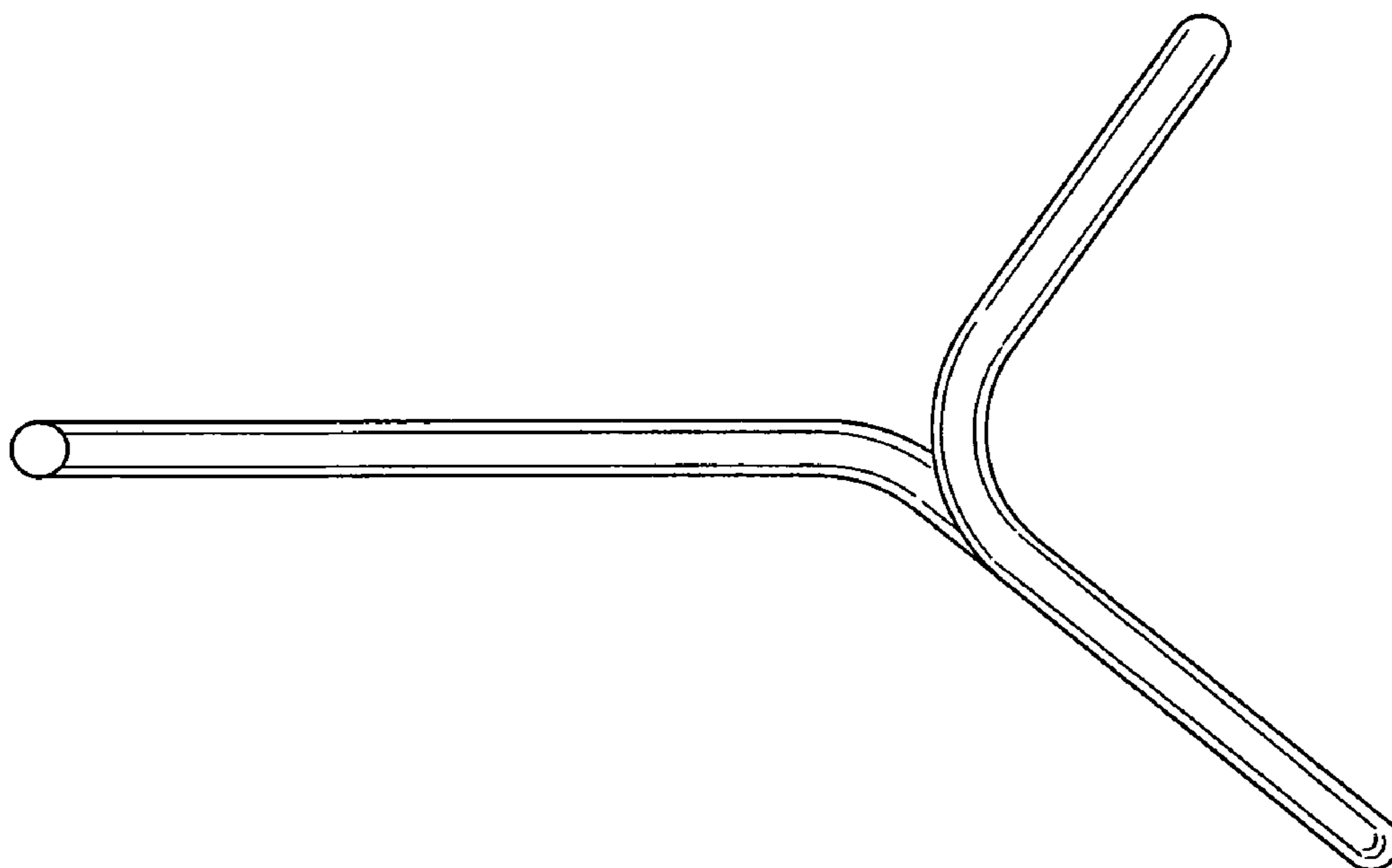


FIG. 9

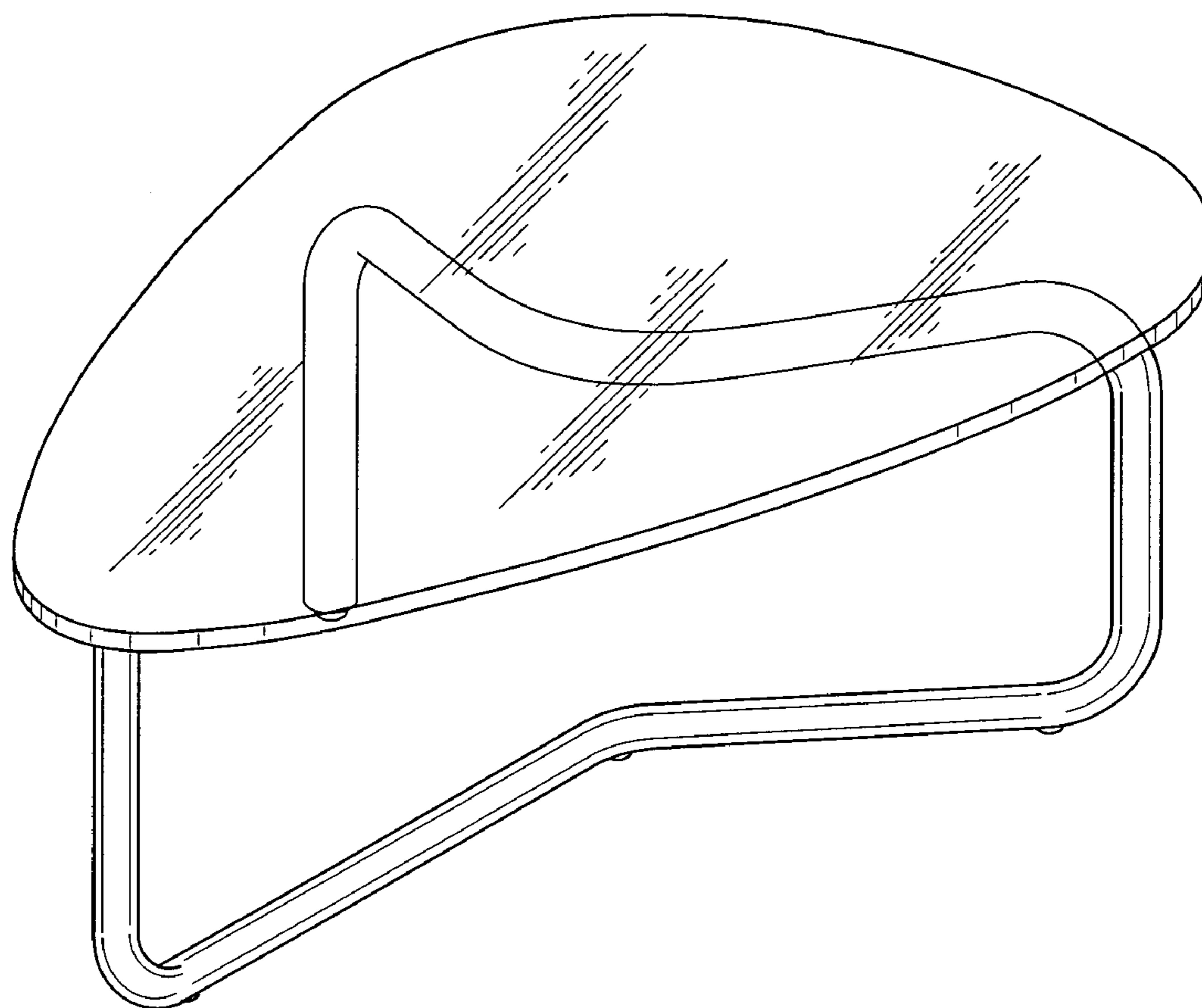


FIG. 10