



US00D592426S

(12) **United States Design Patent**
Goodman et al.

(10) **Patent No.:** **US D592,426 S**
(45) **Date of Patent:** **** May 19, 2009**

(54) **MAGAZINE STACKER**
(75) Inventors: **Sheldon H. Goodman**, Solon, OH (US);
Omer I. Sazir, Cleveland, OH (US)

D532,259 S * 11/2006 Goodman et al. D7/637
D533,372 S * 12/2006 Glassenberg D6/465
D538,609 S * 3/2007 Goodman et al. D7/704
D539,102 S * 3/2007 Goodman et al. D7/637
D575,142 S * 8/2008 Goodman et al. D8/370

(73) Assignee: **Spectrum Diversified Designs, Inc.**,
Streetsboro, OH (US)

* cited by examiner

(**) Term: **14 Years**

Primary Examiner—Caron Veynar

Assistant Examiner—Sydney R Buffalow

(21) Appl. No.: **29/303,823**

(74) *Attorney, Agent, or Firm*—Pearne & Gordon LLP

(22) Filed: **Feb. 19, 2008**

(57) **CLAIM**

(51) **LOC (9) Cl.** **06-07**

The ornamental design for a magazine stacker, as shown and described.

(52) **U.S. Cl.** **D6/462**

(58) **Field of Classification Search** D6/462,
D6/458, 457, 466, 465; 211/50, 181.1, 133.5,
211/133.2, 13.5, 49.1; D20/19, 27; 248/175,
248/153, 97; 100/34; D7/704, 637; D8/370
See application file for complete search history.

DESCRIPTION

FIG. 1 is a perspective view of a magazine stacker, showing our new design;

FIG. 2 is a right side elevational view, the left side elevational view being a mirror image;

FIG. 3 is a top plan view thereof;

FIG. 4 is a front elevational view thereof; and,

FIG. 5 is a bottom plan view thereof.

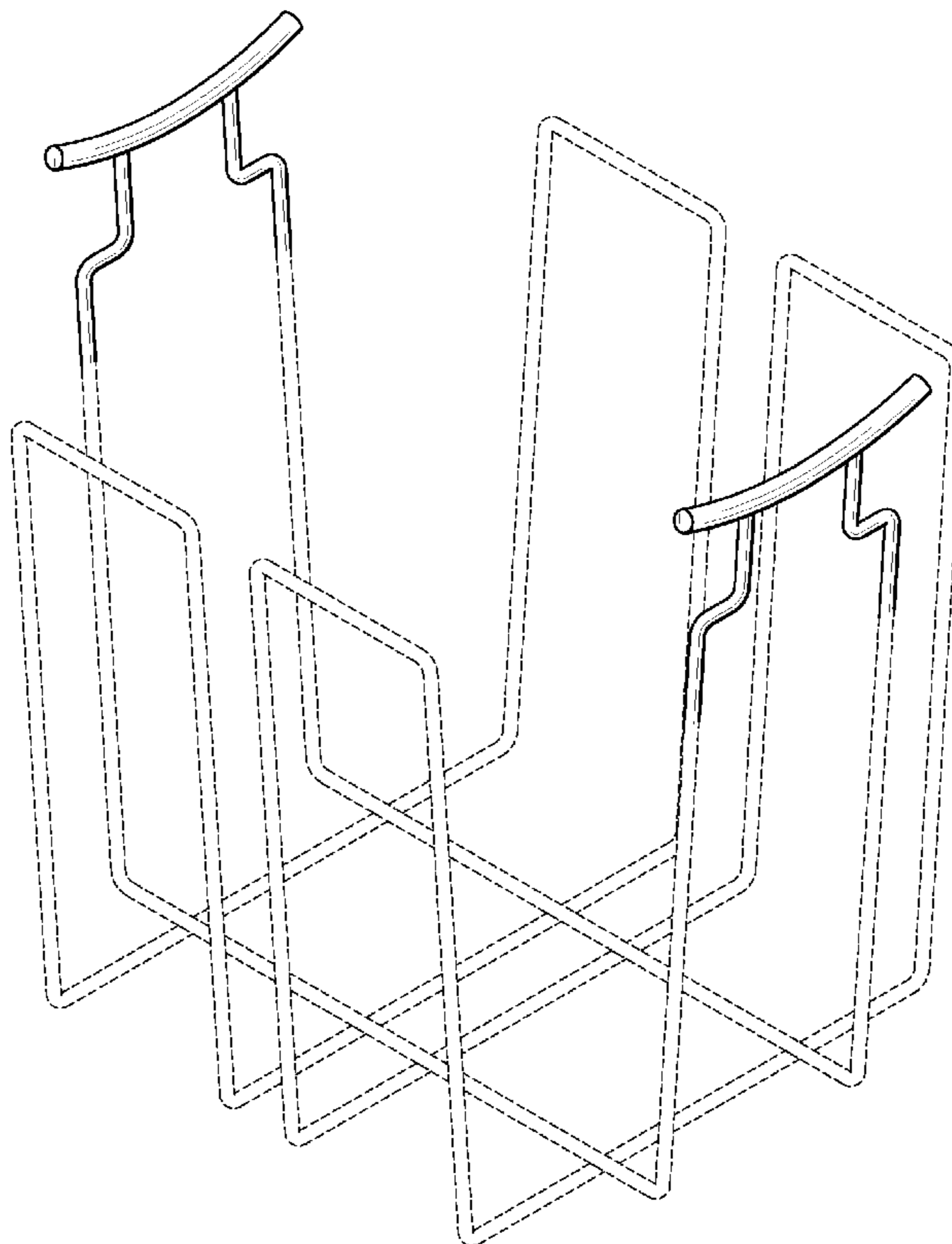
The dotted-line disclosure of elements in the views is for illustrative purposes only and forms no part of the claimed design.

(56) **References Cited**

U.S. PATENT DOCUMENTS

2,927,697 A * 3/1960 Hoover 211/50
D247,207 S * 2/1978 Moynihan D6/462
4,926,748 A * 5/1990 Smith et al. 100/34
D334,854 S * 4/1993 Pestone D6/458
D401,786 S * 12/1998 Sinclair D6/462
D526,168 S * 8/2006 Goodman et al. D7/704
D529,348 S * 10/2006 Goodman et al. D7/704

1 Claim, 3 Drawing Sheets



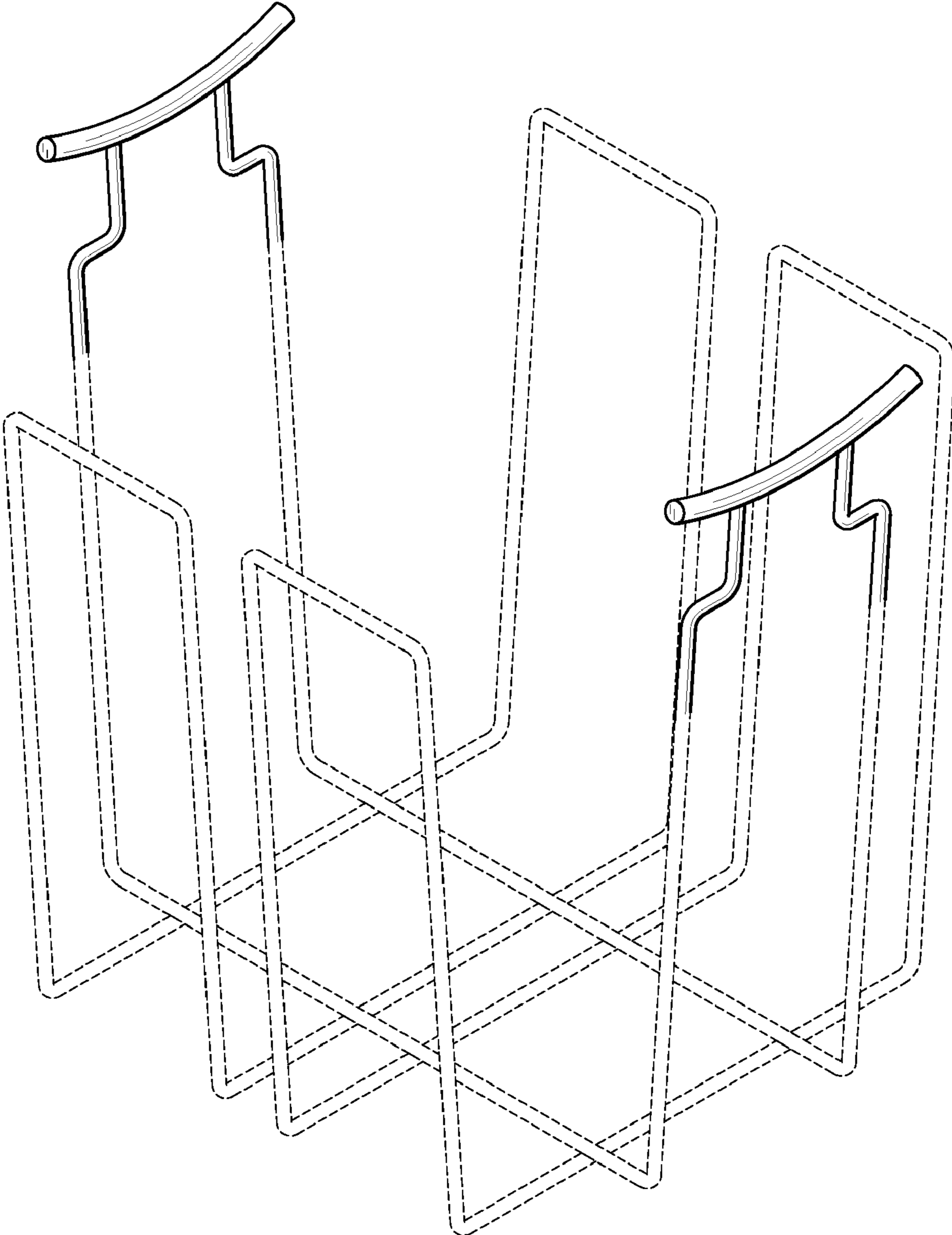


FIG. 1

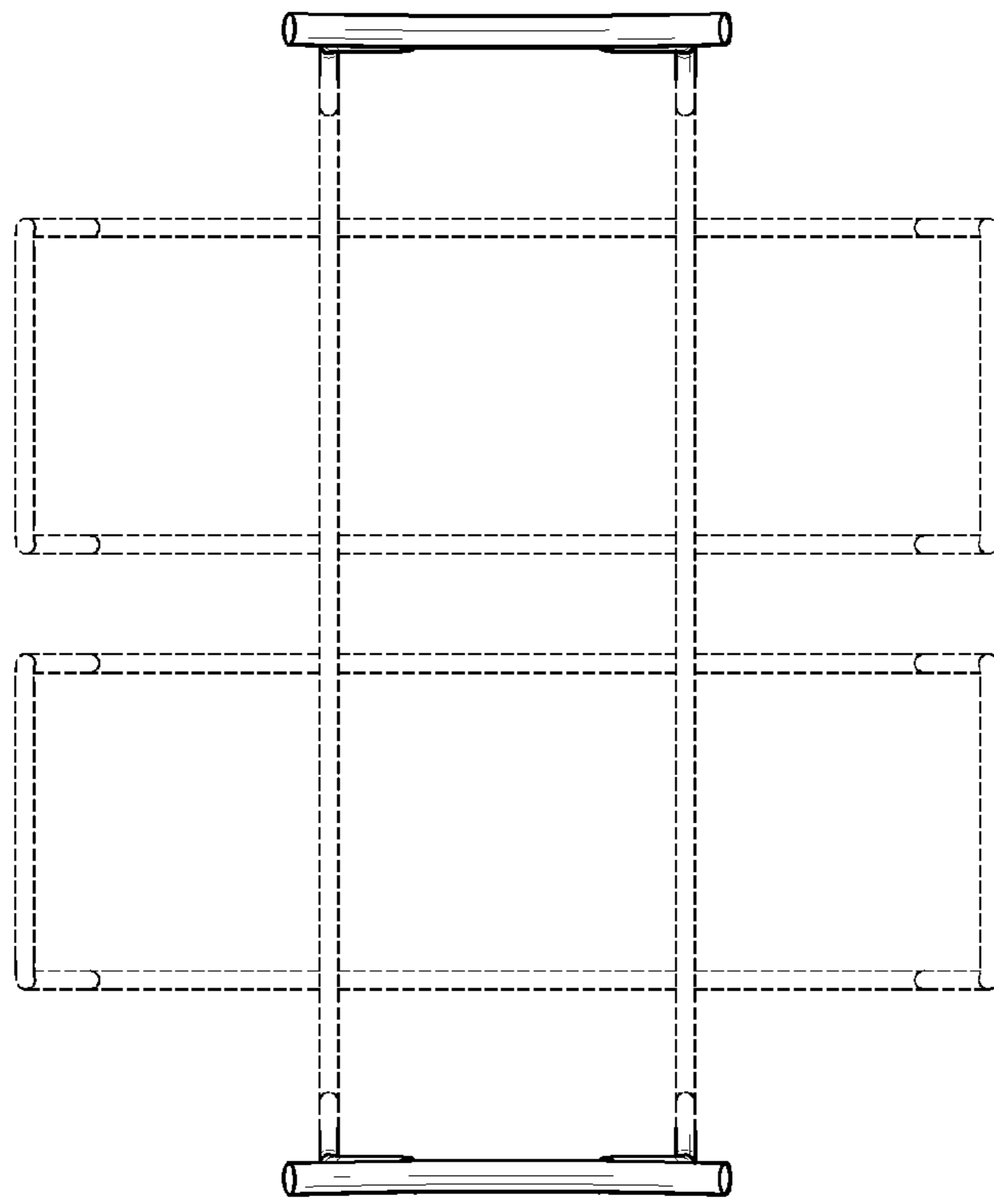


FIG. 3

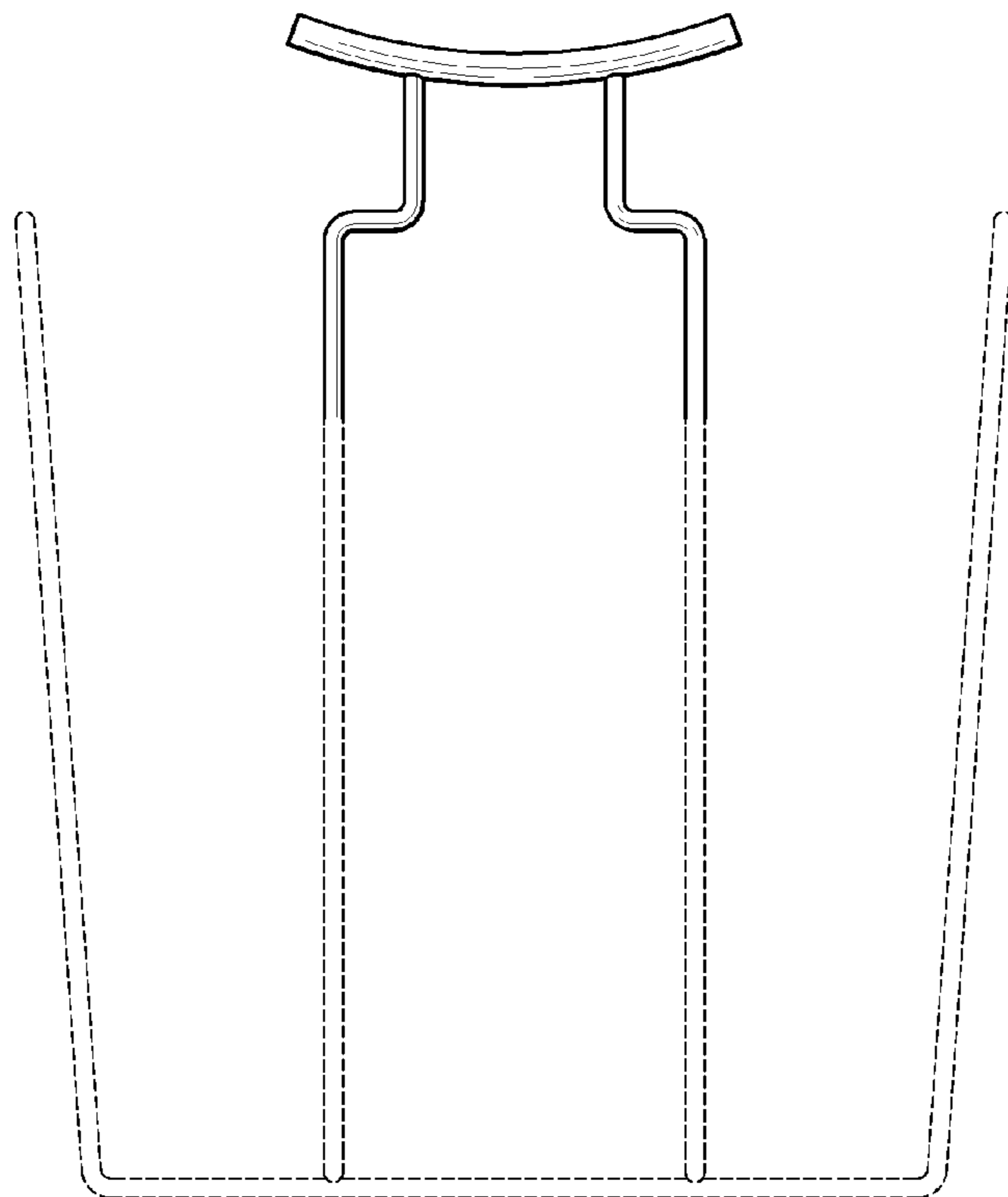


FIG. 2

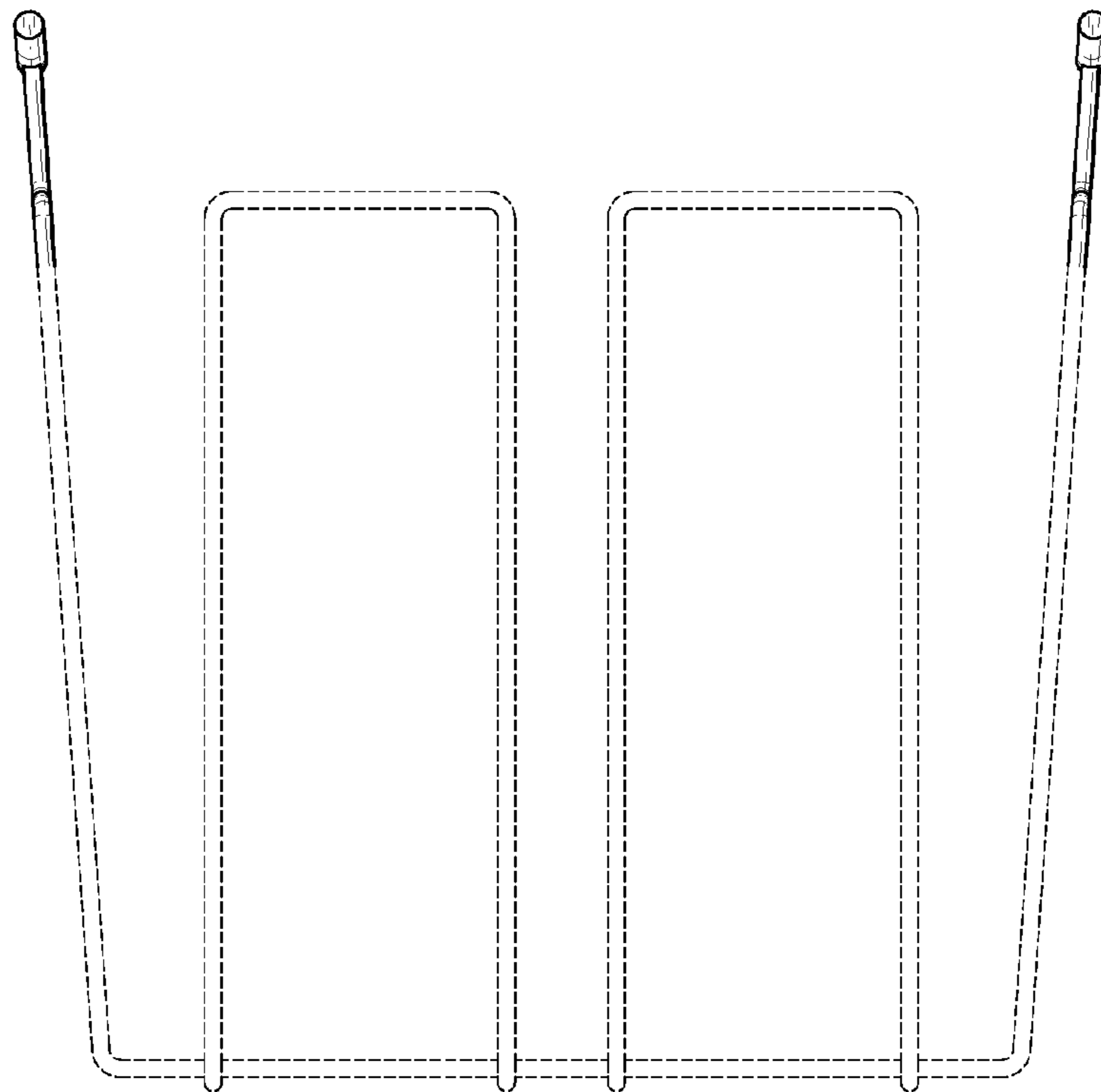


FIG. 4

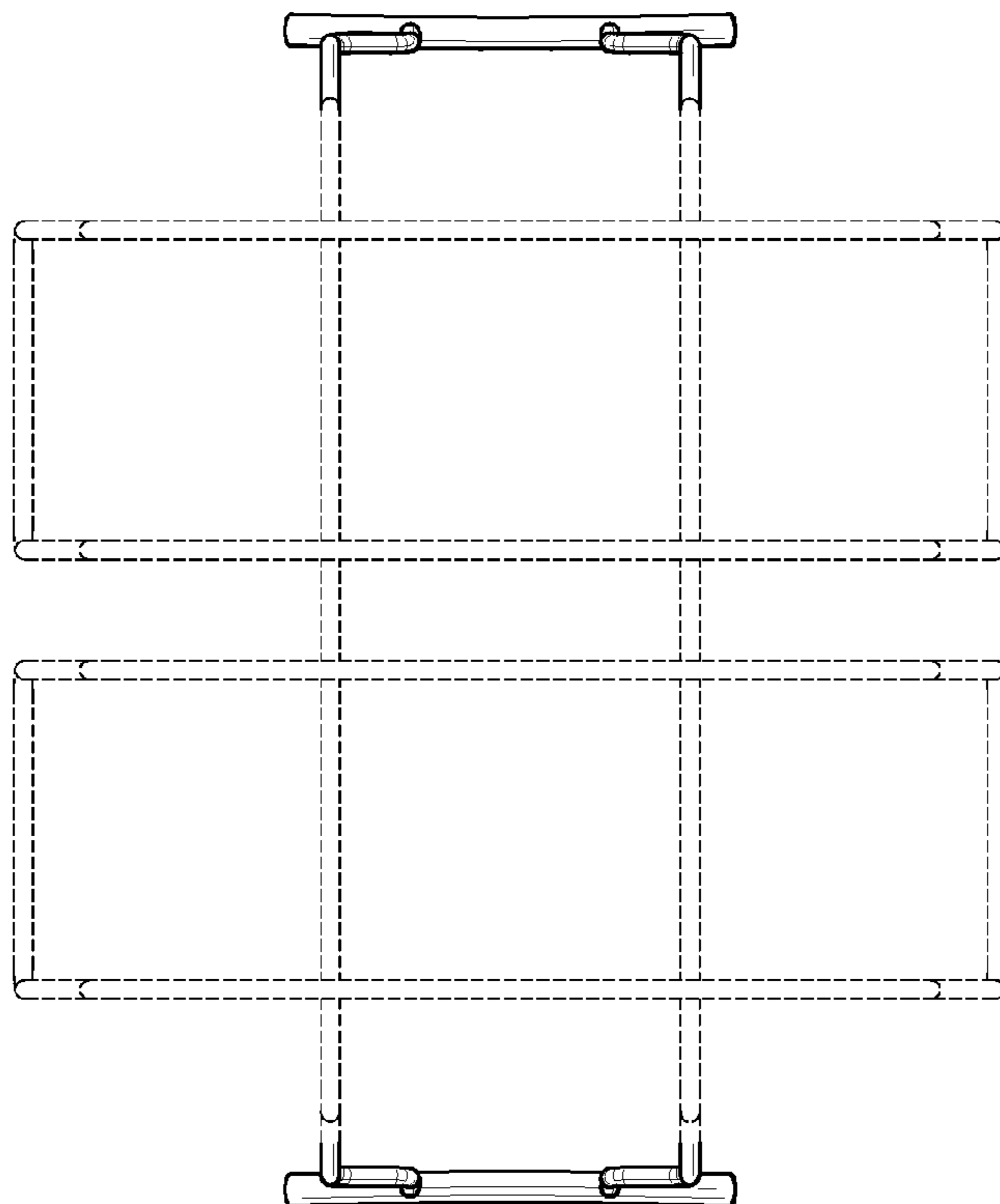


FIG. 5