



US00D592423S

(12) **United States Design Patent**
Greiner

(10) **Patent No.:** **US D592,423 S**

(45) **Date of Patent:** **** May 19, 2009**

(54) **SWIVEL CHARGING STATION**

(75) Inventor: **Lori Greiner**, Chicago, IL (US)

(73) Assignee: **For Your Ease Only, Inc.**, Chicago, IL (US)

(**) Term: **14 Years**

(21) Appl. No.: **29/326,721**

(22) Filed: **Oct. 23, 2008**

Related U.S. Application Data

(63) Continuation of application No. 29/305,566, filed on Mar. 24, 2008.

(51) **LOC (9) Cl.** **06-04**

(52) **U.S. Cl.** **D6/436**

(58) **Field of Classification Search** D3/315;
D6/397, 425-426, 429, 432-448, 455, 467,
D6/470, 474, 477-480, 484, 559, 629-631;
D23/342; D99/35; 211/85.2, 95, 163; 232/43.2;
242/559.3; 312/107-108, 114, 138.1, 194,
312/198, 204, 216, 249.2, 249.4, 257.1, 263,
312/273-279, 293.2, 305, 321.5, 334.36,
312/348.4

See application file for complete search history.

(56) **References Cited**

U.S. PATENT DOCUMENTS

3,866,993	A *	2/1975	Dean et al.	312/216
D234,894	S *	4/1975	Vandenbeuck	D6/479
D265,957	S *	8/1982	Wolf et al.	D6/446
4,660,902	A *	4/1987	Resendez, Jr.	312/114
D339,789	S	9/1993	Foster et al.	
5,542,758	A *	8/1996	Brown	312/249.2
D387,236	S *	12/1997	Madonna	D6/629
D389,345	S *	1/1998	Grosfillex	D6/478
5,900,715	A	5/1999	Roberts	
6,076,906	A *	6/2000	Royal	312/273
D433,264	S *	11/2000	Lindeqvist et al.	D6/631
D440,078	S *	4/2001	Carrabba	D6/478

D492,860	S *	7/2004	Bertoncini	D6/470
6,894,457	B2	5/2005	Germagian et al.	
D530,118	S *	10/2006	Del Castillo et al.	D6/479
D561,492	S *	2/2008	Mehmen	D6/477
2006/0006838	A1	1/2006	Clarke	
2006/0091695	A1	5/2006	MacNeil	
2006/0280519	A1	12/2006	Mori et al.	
2006/0289444	A1	12/2006	Jackson et al.	

OTHER PUBLICATIONS

Mahogany Charging Station at website: www.frontgate.com/jump.jsp?item=11734&maincatcode=mull&ite..., printed from Web on Feb. 1, 2007 (one page).

* cited by examiner

Primary Examiner—Caron Veynar

Assistant Examiner—Ricky Pham

(74) *Attorney, Agent, or Firm*—Fredrikson & Byron, P.A.

(57) **CLAIM**

I claim the ornamental design for a swivel charging station, as shown and described.

DESCRIPTION

FIG. 1 is a perspective view of my new design for a swivel charging station;

FIG. 2 is a side perspective view thereof;

FIG. 3 is a front elevation view thereof;

FIG. 4 is a side elevation view thereof, the other side elevation view is a mirror image of that shown;

FIG. 5 is a rear elevation view thereof;

FIG. 6 is a top plan view thereof;

FIG. 7 is a bottom plan view thereof; and,

FIG. 8 is a cross-sectional view of the swivel charging station shown in FIG. 1 taken along line 8—8.

The broken lines shown in the drawings are for illustrative purposes only and form no part of the claimed design.

1 Claim, 8 Drawing Sheets

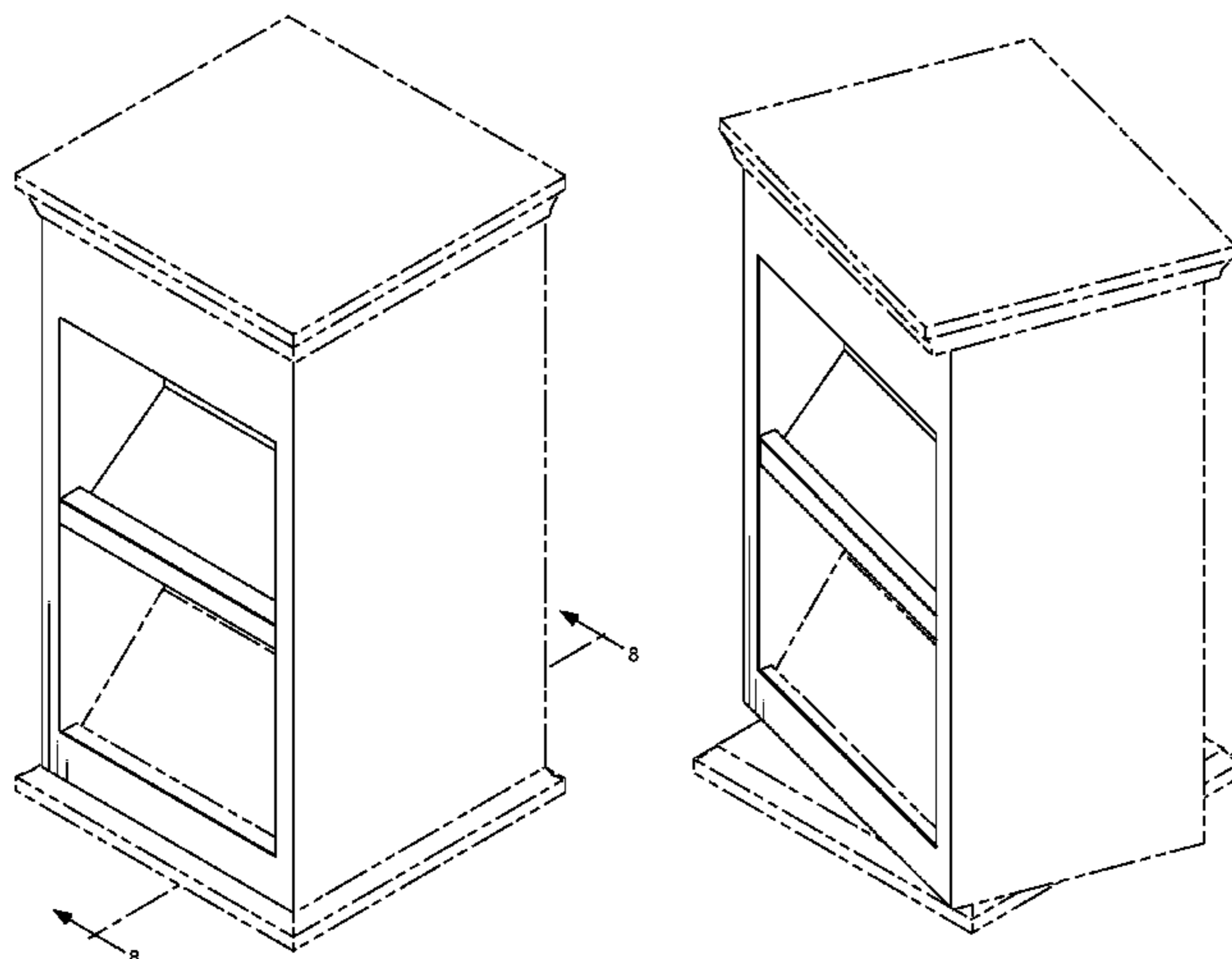


Fig. 1

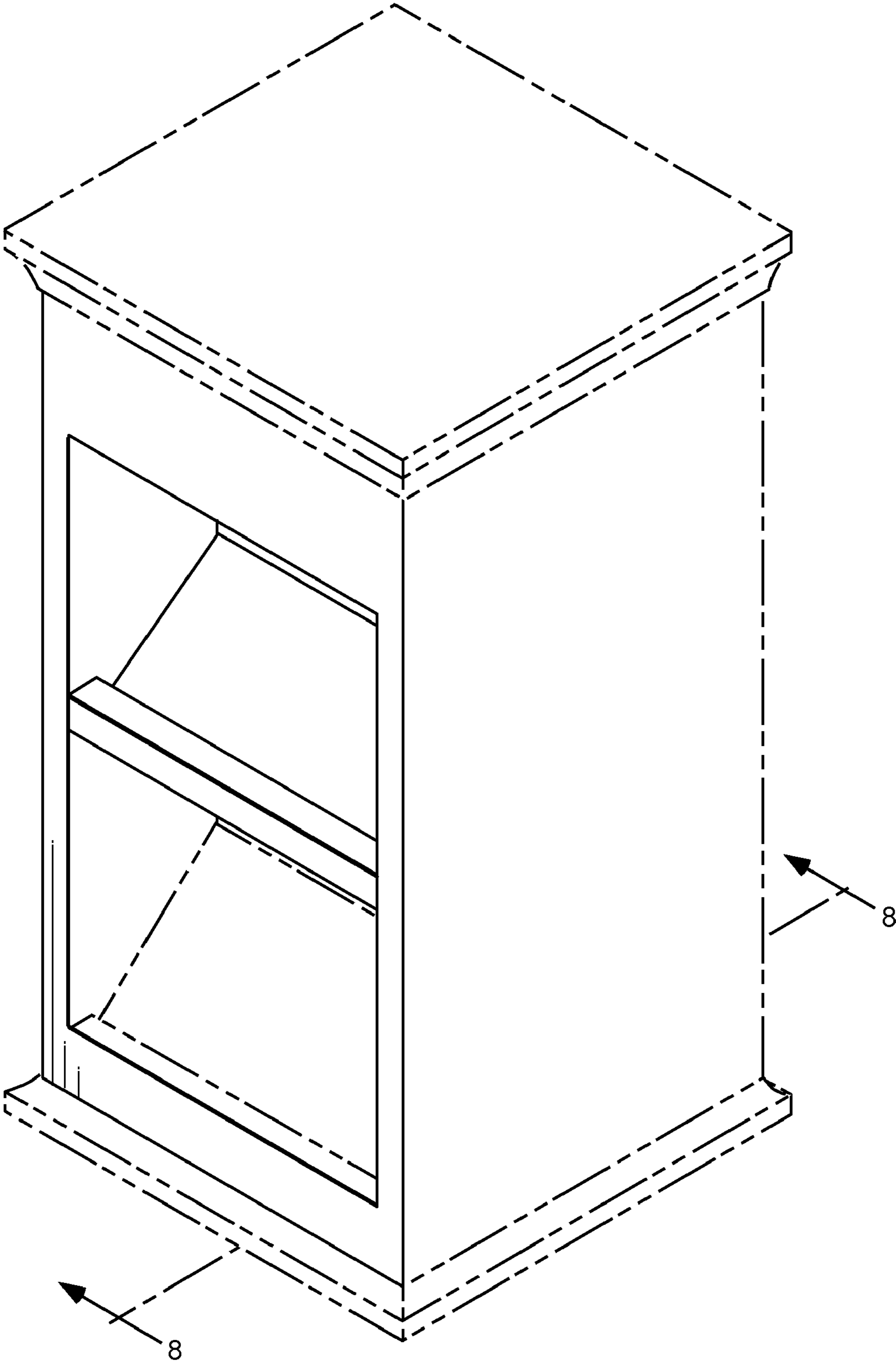


Fig. 2

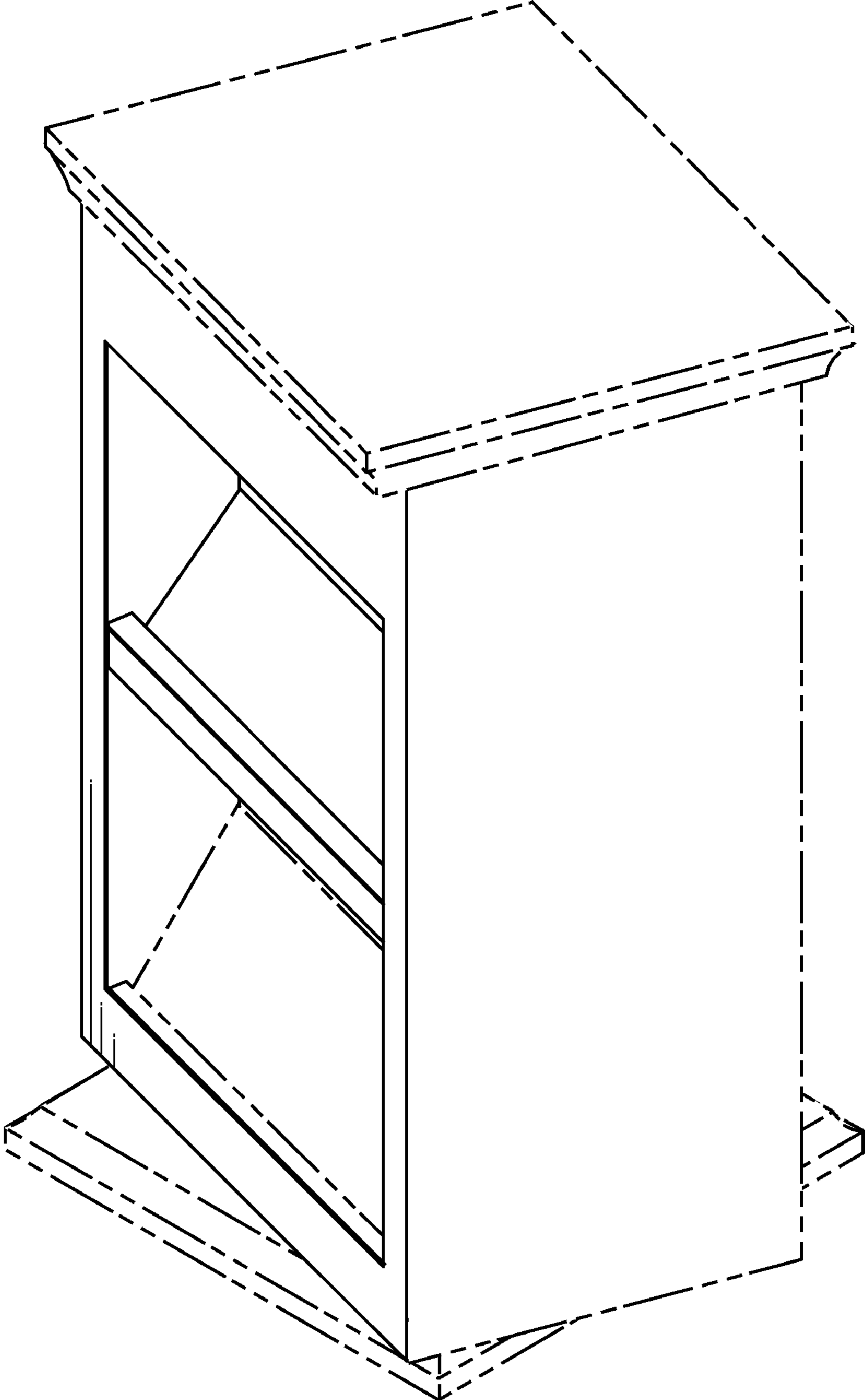


Fig. 3

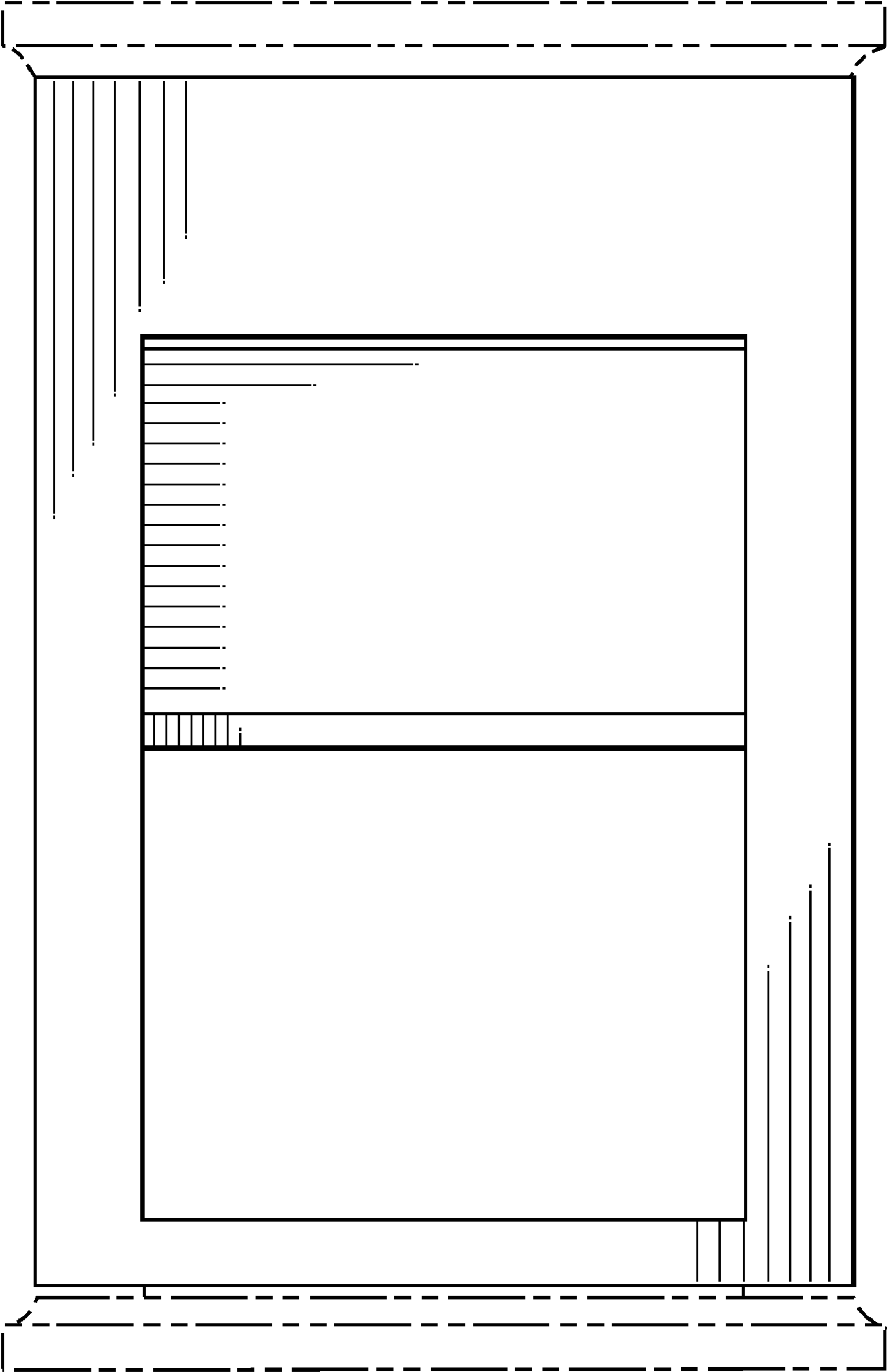


Fig. 4

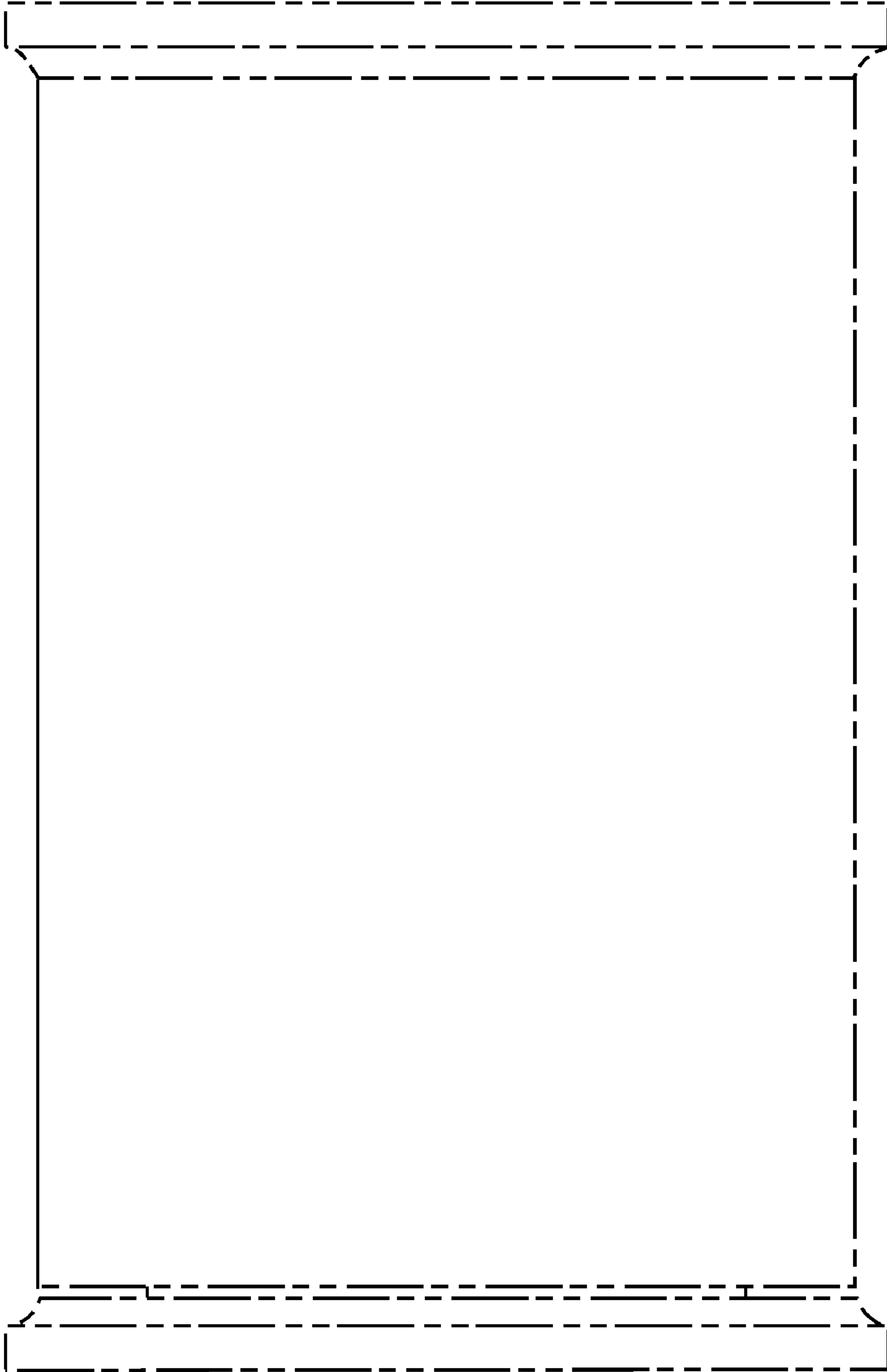


Fig. 5

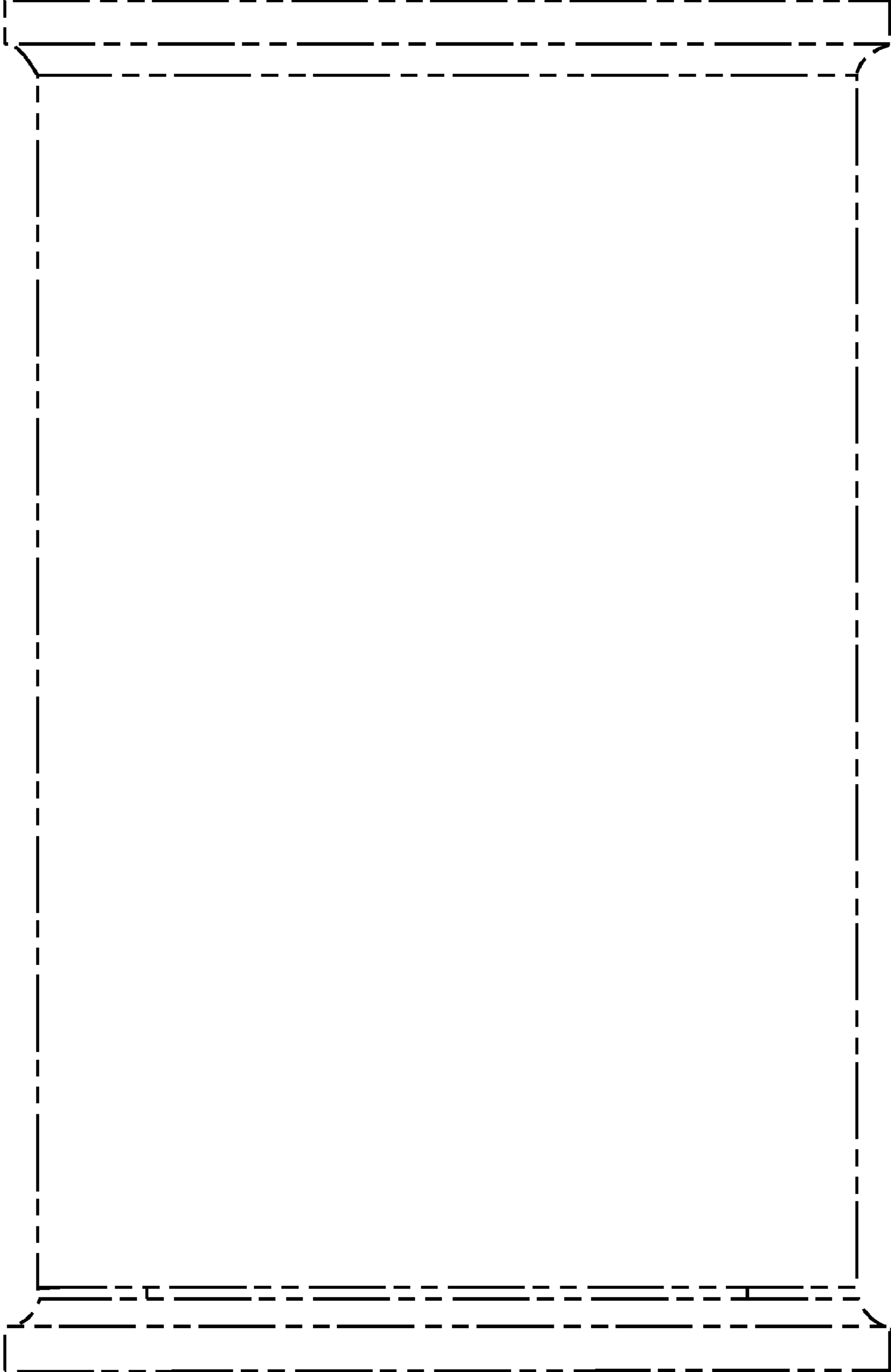


Fig. 6

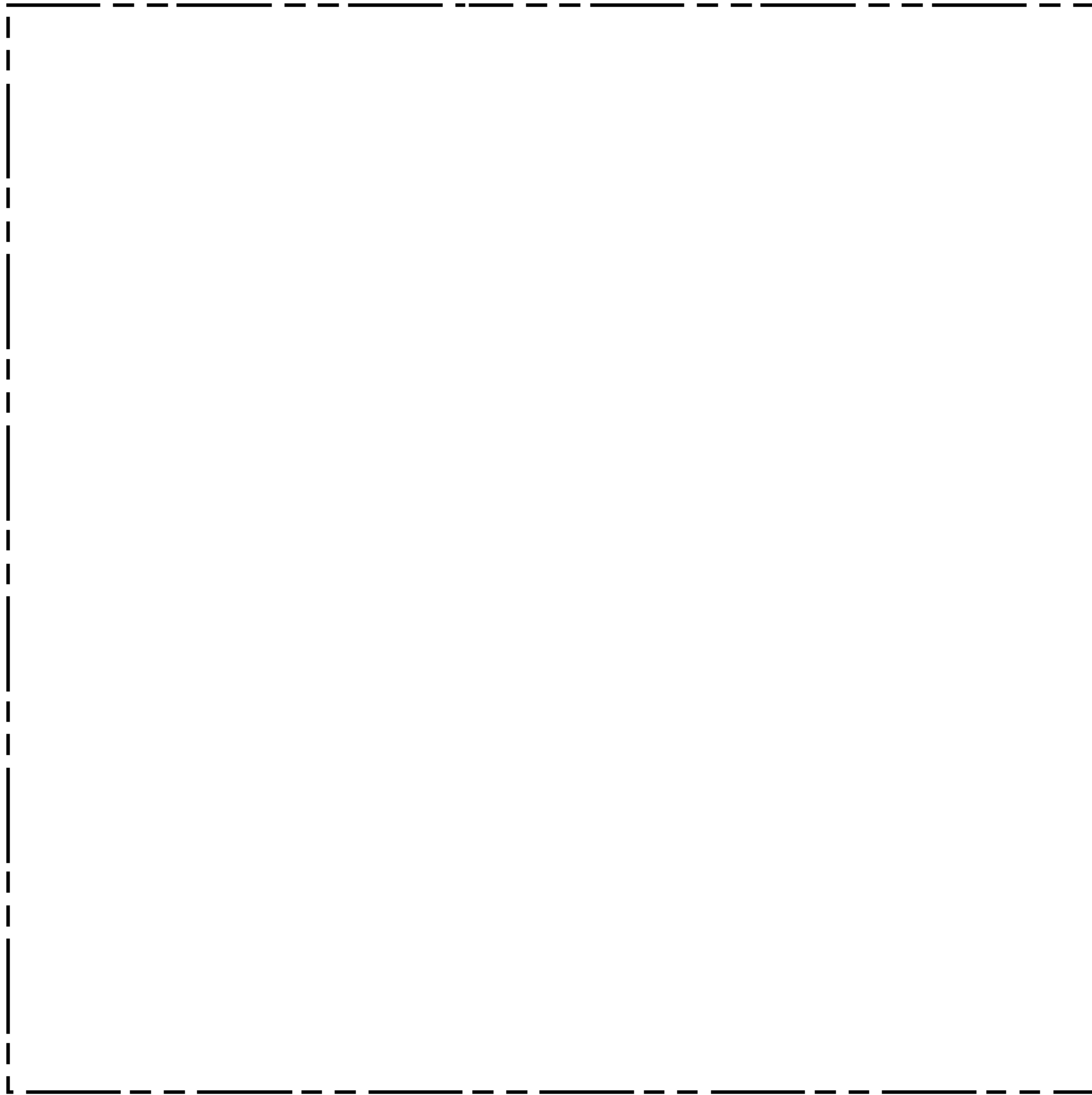


Fig. 7

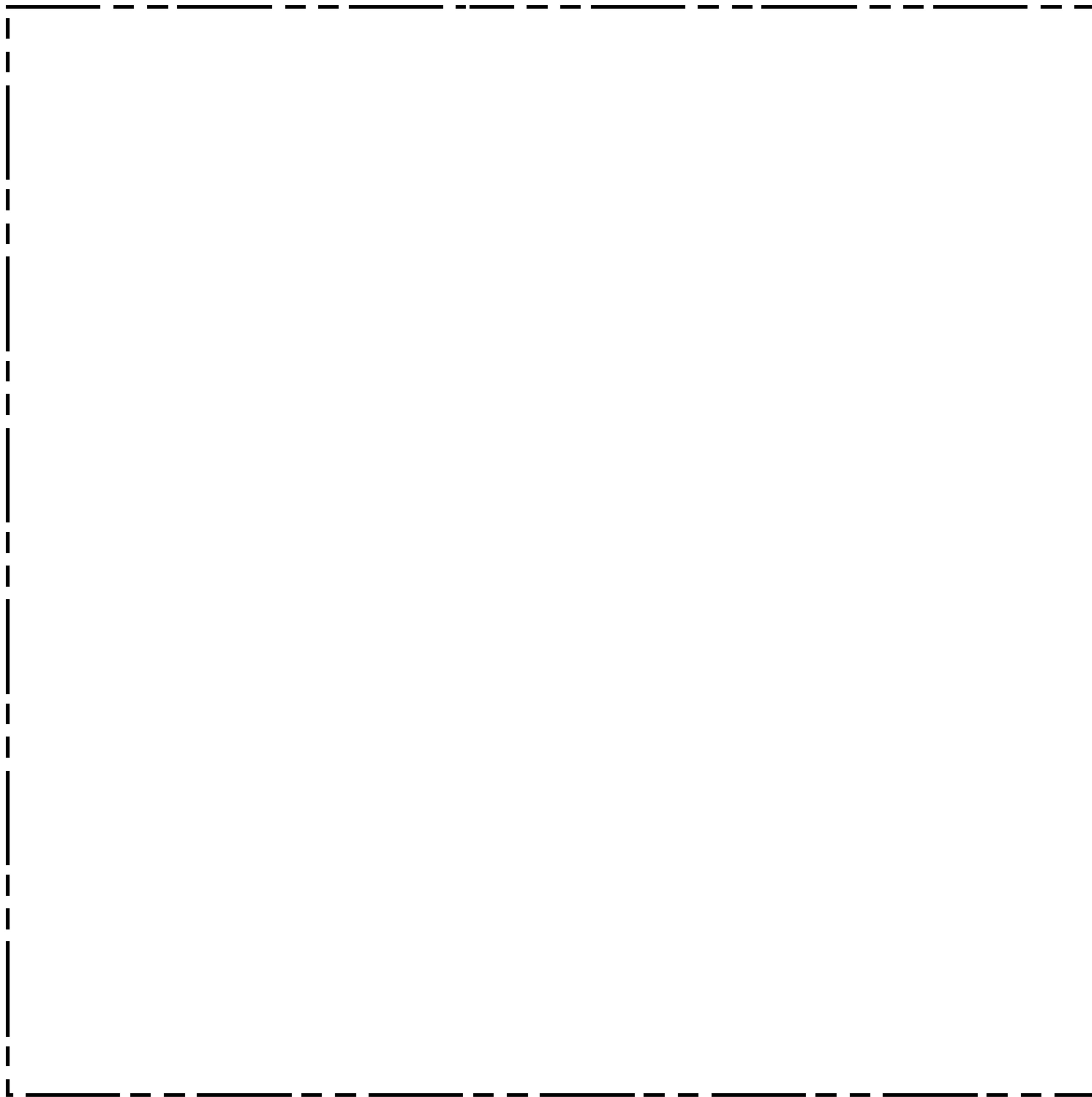


Fig. 8

