

US00D592422S

(12) **United States Design Patent**
Rheault

(10) **Patent No.:** **US D592,422 S**

(45) **Date of Patent:** **** May 19, 2009**

(54) **CABINET**

4,752,106 A 6/1988 Salvarani
4,753,055 A 6/1988 Durham, Jr.

(75) Inventor: **Alan E. Rheault**, Grand Rapids, MI
(US)

(Continued)

(73) Assignee: **Steelcase Development Corporation**,
Grand Rapids, MI (US)

Primary Examiner—Elizabeth A Albert
Assistant Examiner—Kelley A Donnelly
(74) *Attorney, Agent, or Firm*—Quarles & Brady LLP

(**) Term: **14 Years**

(57) **CLAIM**

(21) Appl. No.: **29/280,772**

The ornamental design for a cabinet, as shown and described.

(22) Filed: **Jun. 6, 2007**

DESCRIPTION

(51) **LOC (9) Cl.** **06-04**

(52) **U.S. Cl.** **D6/436**

(58) **Field of Classification Search** D6/396–397,
D6/402, 432, 436, 446, 468, 470, 472, 476;
211/13.1, 85.1, 85.3, 85.4; 312/114, 118,
312/119, 204, 249.9, 321.5

See application file for complete search history.

FIG. 1 is a front, left, upper perspective view of a first embodiment of a cabinet embodying my new design;

FIG. 2 is a front elevational view thereof;

FIG. 3 is a left side elevational view thereof, the right side elevational view being a mirror image thereof;

FIG. 4 is a top plan view thereof;

FIG. 5 is a rear elevational view thereof;

FIG. 6 is a front, left, upper perspective view of a second embodiment of a cabinet embodying my new design;

FIG. 7 is a front elevational view thereof; and,

FIG. 8 is a left side elevational view thereof, the right side elevational view being a mirror image thereof.

The broken line representations of top cabinet structure in FIGS. 1, 4, and 6, of rear cabinet structure in FIG. 5, of drawers in FIGS. 1–3, of doors in FIGS. 6–8, of drawer pulls in FIGS. 1–2, and of door pulls in FIGS. 6–7, are for environmental purposes only and form no part of the claimed design.

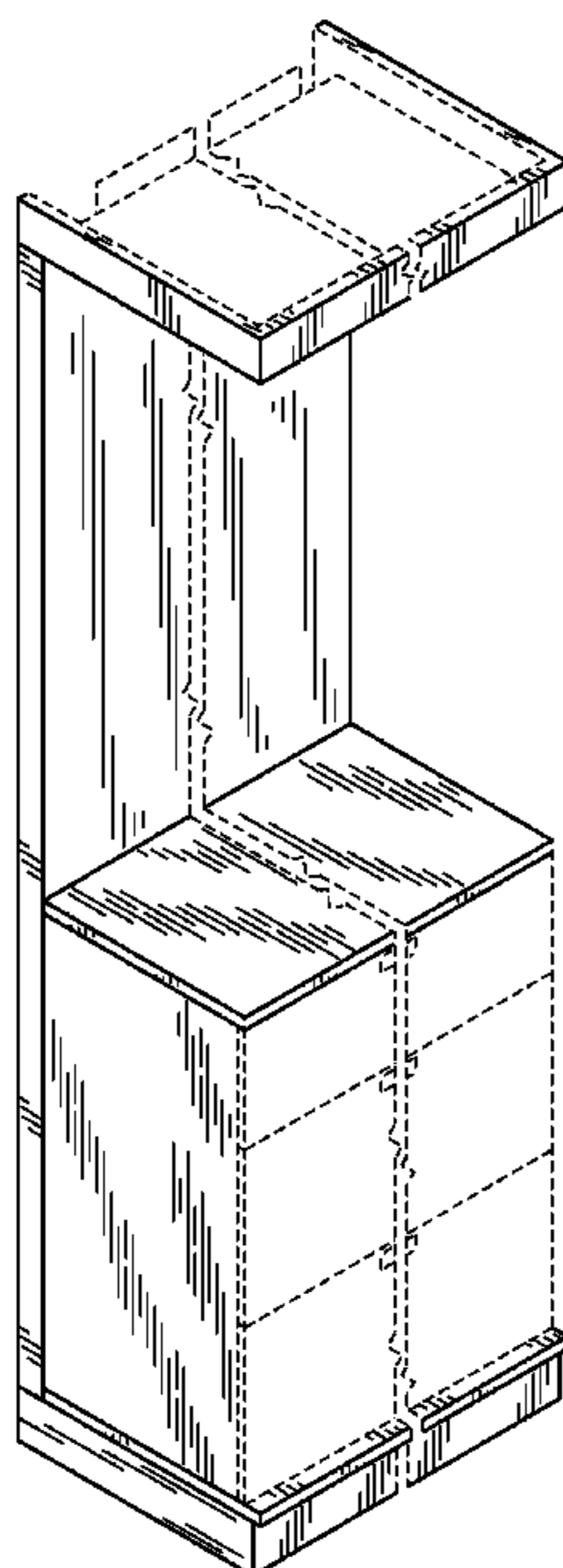
The broken away portions shown in FIGS. 1–2, and 4–7 represents that no particular width is claimed.

(56) **References Cited**

U.S. PATENT DOCUMENTS

1,190,170 A	7/1916	Hormes
2,489,493 A	11/1949	Kuenzie
3,015,466 A	1/1962	Levy
3,361,293 A	1/1968	Box
3,563,624 A	2/1971	Stice
3,571,987 A	3/1971	Anderson
3,653,734 A	4/1972	Ungaro
3,746,417 A	7/1973	Sasnett
3,892,452 A	7/1975	Williams et al.
3,971,605 A	7/1976	Sasnett
4,109,328 A	8/1978	Mason
4,116,509 A	9/1978	Smith
4,162,113 A	7/1979	Pallavicini
4,660,901 A	4/1987	Shimada
4,717,101 A	1/1988	Harrod

1 Claim, 5 Drawing Sheets

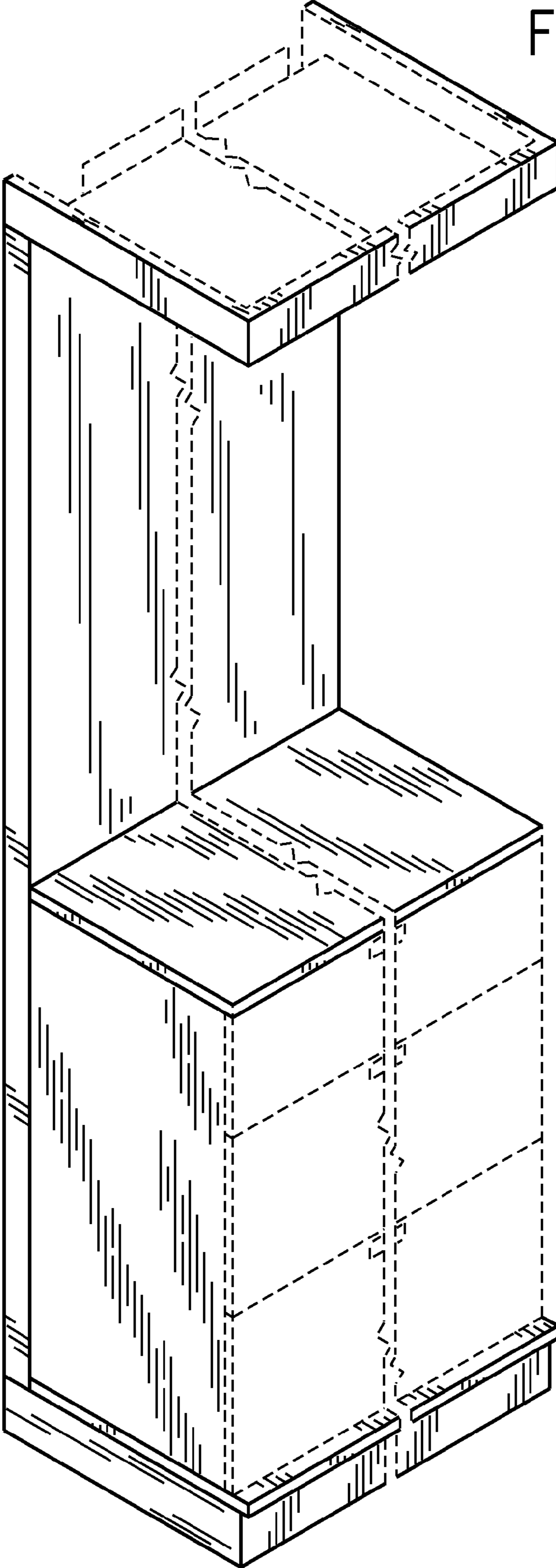


US D592,422 S

Page 2

U.S. PATENT DOCUMENTS					
4,758,056	A	7/1988 Buck et al.	6,405,491	B1	6/2002 Gallant
4,974,386	A	12/1990 Eriksson et al.	6,443,316	B1	9/2002 Mao
5,048,698	A	9/1991 Konrad	6,647,652	B1	11/2003 Seiber et al.
5,086,593	A	2/1992 Valentine	D498,609	S *	11/2004 Juneau et al. D6/436
5,163,567	A	11/1992 Betts, Sr.	D499,577	S *	12/2004 Willy D6/436
D354,638	S *	1/1995 Todd et al. D6/433	6,830,299	B2	12/2004 Henriott et al.
5,394,658	A	3/1995 Schreiner et al.	D501,284	S *	1/2005 Mount D34/14
5,466,058	A	11/1995 Chan	6,877,824	B2	4/2005 Winkless
5,486,041	A	1/1996 Sykes	D505,804	S *	6/2005 Chen D6/436
5,720,547	A	2/1998 Baird	D525,455	S *	7/2006 O'Reilly D6/436
5,754,995	A	5/1998 Behrendt	7,100,999	B2	9/2006 Stravitz
5,855,422	A	1/1999 Naef	7,174,678	B2	2/2007 Gallant
5,860,839	A	1/1999 Hall	7,204,714	B2	4/2007 Walker et al.
5,884,784	A	3/1999 Betts, Sr.	2004/0222721	A1	11/2004 Kelley et al.
D448,202	S *	9/2001 Brooking et al. D6/436	2005/0279033	A1	12/2005 Faber et al.
			2007/0170823	A1	7/2007 Stannis et al.
					* cited by examiner

FIG. 1



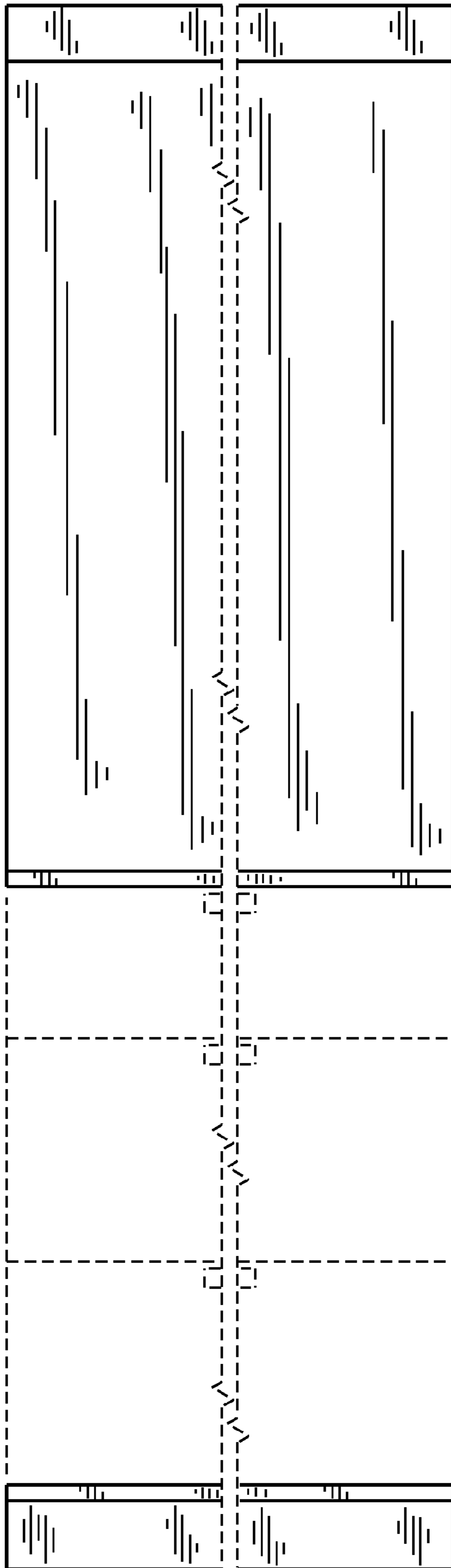


FIG. 2

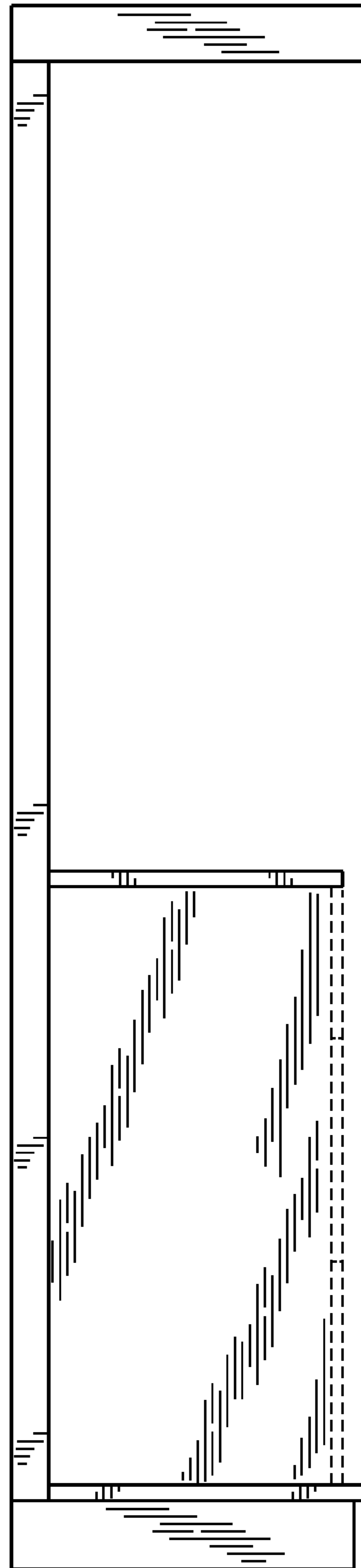


FIG. 3

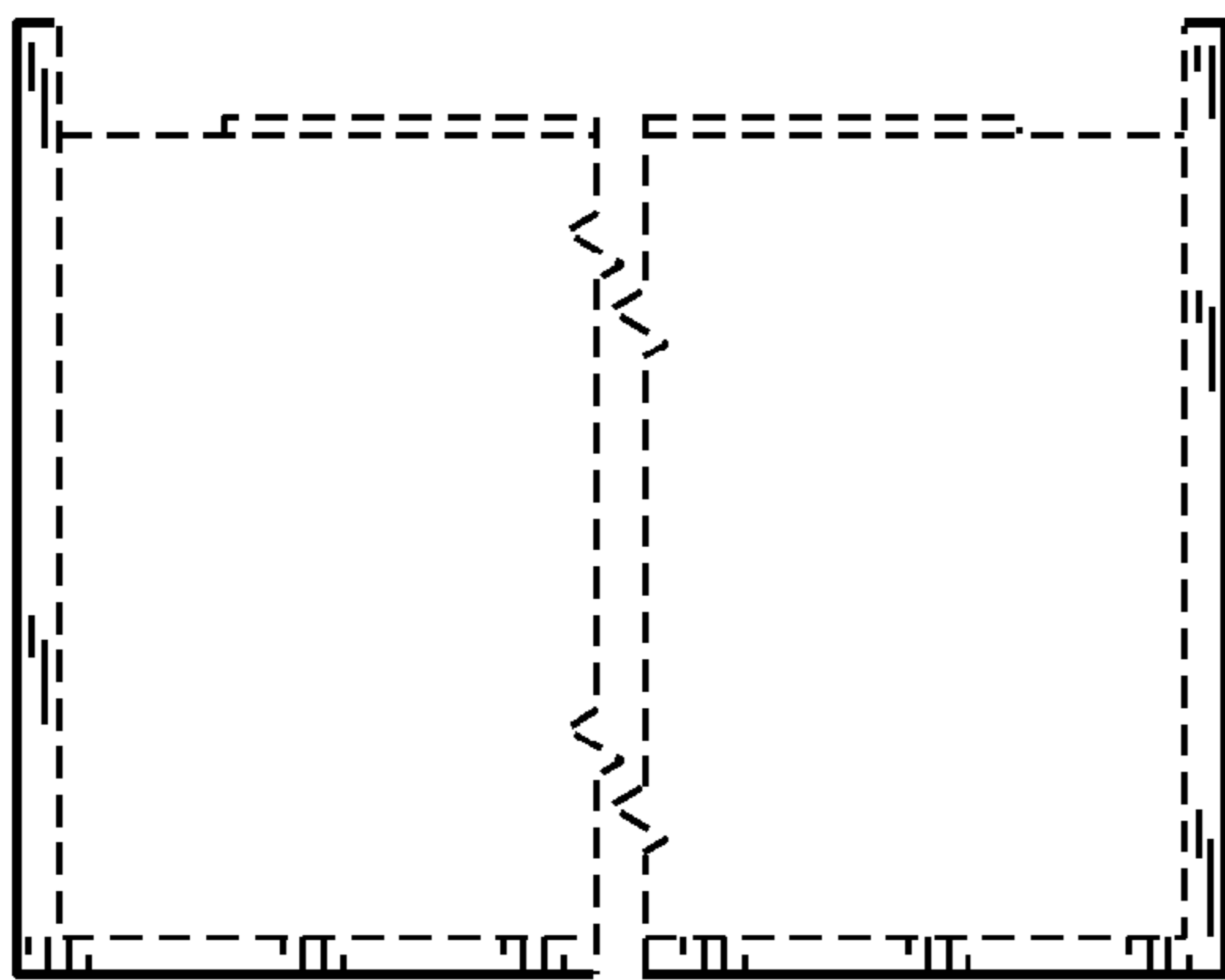


FIG. 4

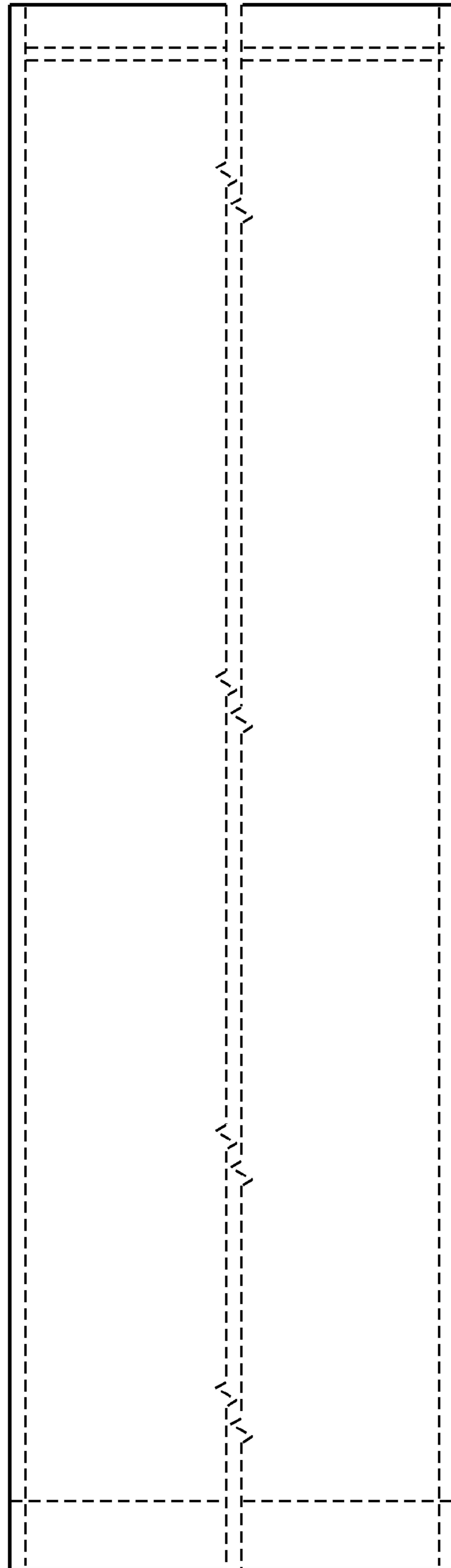


FIG. 5

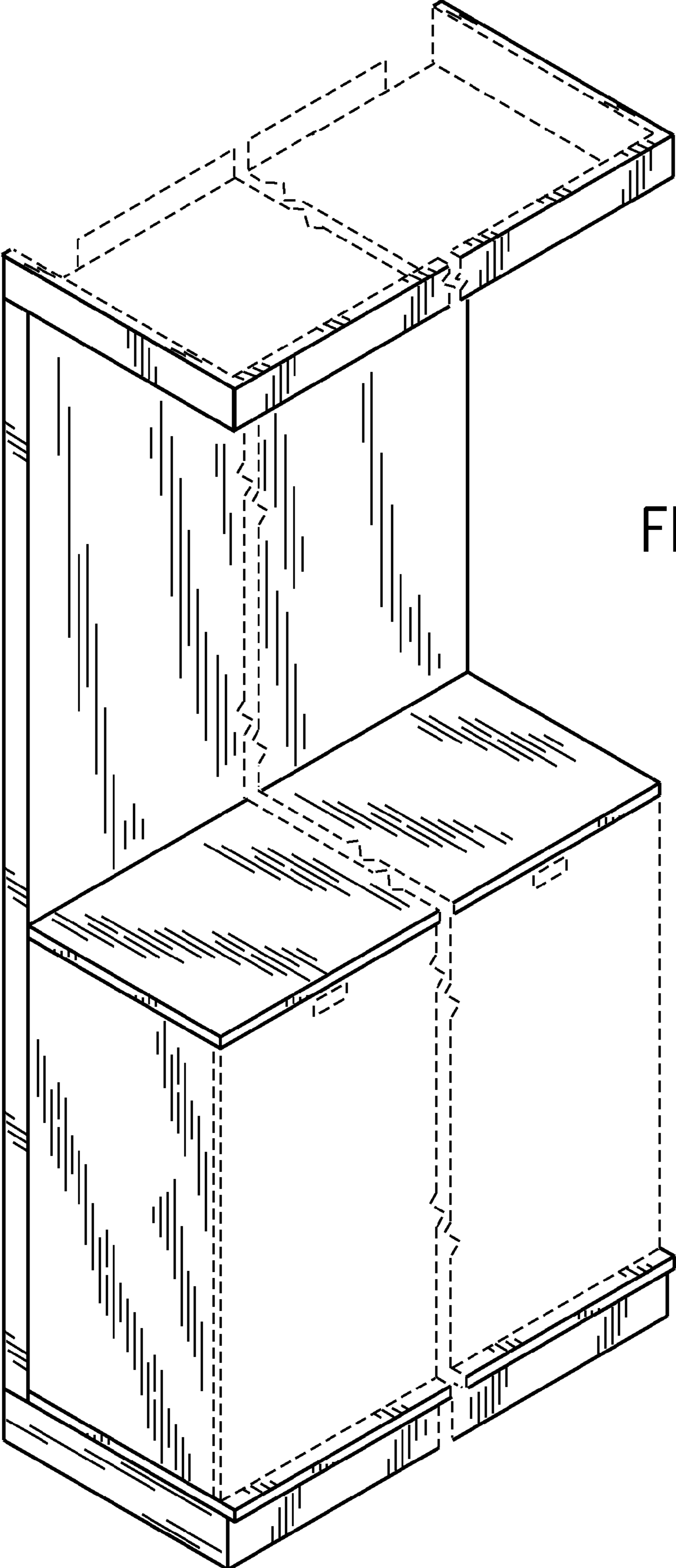


FIG. 6

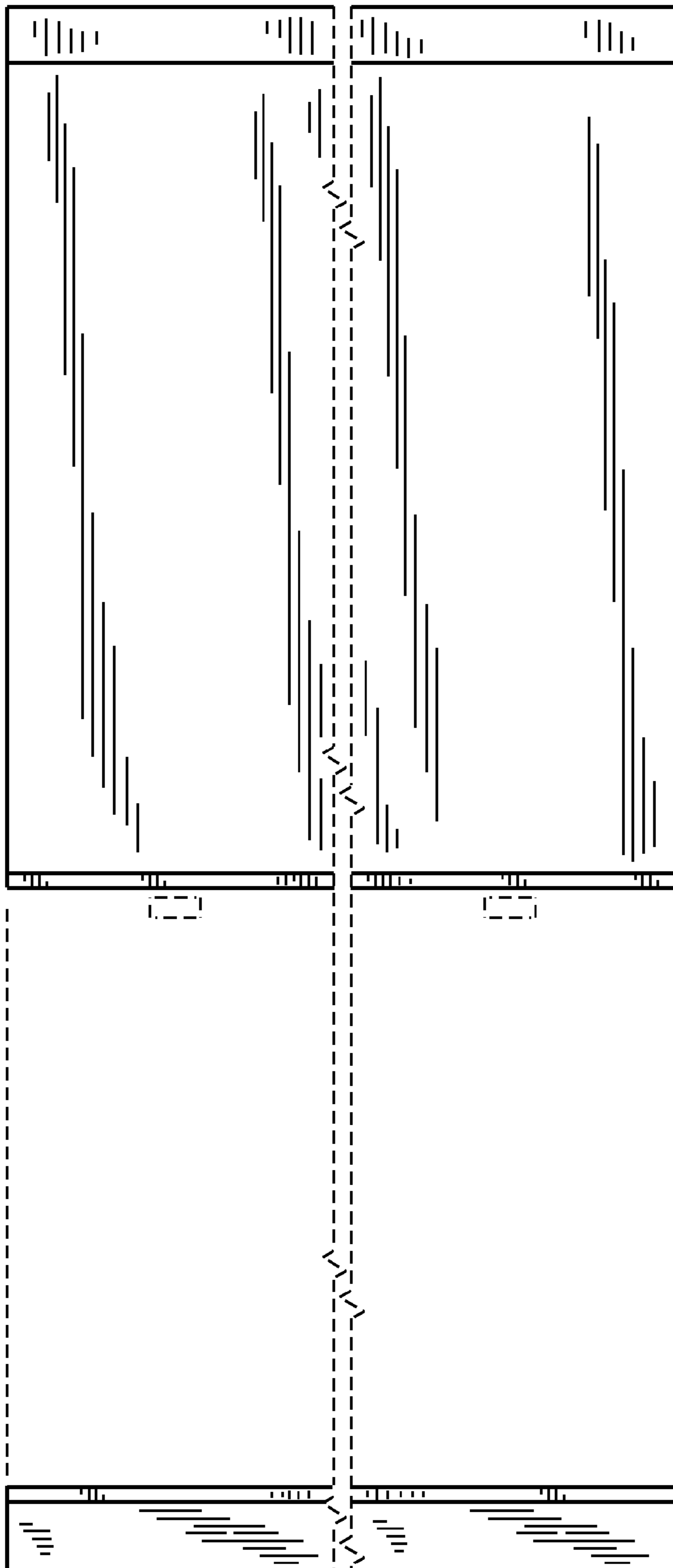


FIG. 7

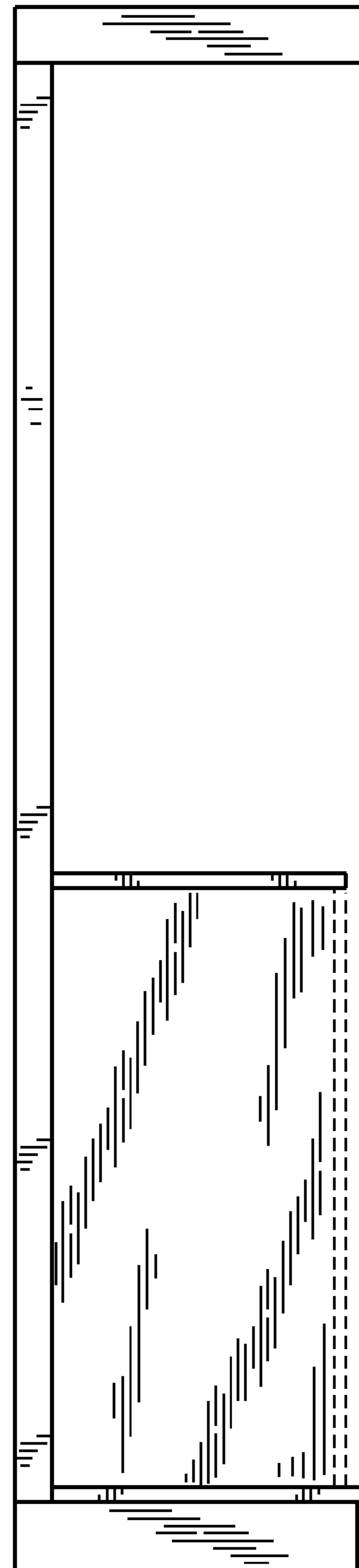


FIG. 8