



US00D592421S

(12) **United States Design Patent**  
**Roche**

(10) **Patent No.:** **US D592,421 S**  
(45) **Date of Patent:** **\*\* May 19, 2009**

(54) **HOLDER**

(75) Inventor: **Michael W. Roche**, LaGrange, IL (US)

(73) Assignee: **Mr. Yardware LLC**, LaGrange, IL (US)

(\*\*) Term: **14 Years**

(21) Appl. No.: **29/318,315**

(22) Filed: **May 16, 2008**

(51) **LOC (9) Cl.** ..... **06-04**

(52) **U.S. Cl.** ..... **D6/432; D6/440**

(58) **Field of Classification Search** ..... D6/329,  
D6/411, 417, 403, 405, 432, 436, 440, 441,  
D6/449, 457, 495, 509; 312/204, 270.1,  
312/270.2; 108/141, 150, 153.1; 248/146,  
248/147, 311.2, 530; 362/410-414; 211/13.1,  
211/84; D7/553.6, 603; D26/55, 67, 93,  
D26/119, 123, 124

See application file for complete search history.

(56) **References Cited**

**U.S. PATENT DOCUMENTS**

706,176 A	8/1902	Hassett
763,962 A	7/1904	Clayton et al.
905,627 A	12/1908	Astruck
1,369,315 A	2/1921	Ankers
1,448,808 A	3/1923	McGowan
1,952,789 A	3/1934	Butts
1,956,956 A	5/1934	Leibo
2,506,321 A	5/1950	Vosburgh
2,520,818 A	8/1950	Terry
2,574,441 A	11/1951	Stewart
2,643,843 A	6/1953	Brown
2,720,249 A	10/1955	Peterson
2,768,805 A	10/1956	Gribble
2,899,153 A	8/1959	Parker
3,033,502 A	5/1962	Silver
3,067,717 A	12/1962	Imparato
3,141,644 A	7/1964	Baird

3,221,957 A	12/1965	Roloff et al.
3,279,733 A	10/1966	Hannan
D218,422 S *	8/1970	Crandall ..... D6/495
3,586,274 A	6/1971	Hart

(Continued)

**FOREIGN PATENT DOCUMENTS**

JP 07241211 A2 9/1995

*Primary Examiner*—Mimosa De

(74) *Attorney, Agent, or Firm*—Beem Patent Law Firm

(57) **CLAIM**

The ornamental design for a holder, as shown and described.

**DESCRIPTION**

FIG. 1 is a perspective view of a holder showing my new design.

FIG. 2 is a side view of the holder of FIG. 1, the other sides being mirror images thereof.

FIG. 3 is a top view of the holder of FIG. 1.

FIG. 4 is a bottom view of the holder of FIG. 1.

FIG. 5 is a cross-sectional view of the holder of FIG. 1, taken along line 5—5.

FIG. 6 is a perspective view of the holder of FIG. 1, with a cover.

FIG. 7 is a side view of the holder and cover of FIG. 6, the other sides being mirror images thereof.

FIG. 8 is a top view of the holder and cover of FIG. 6.

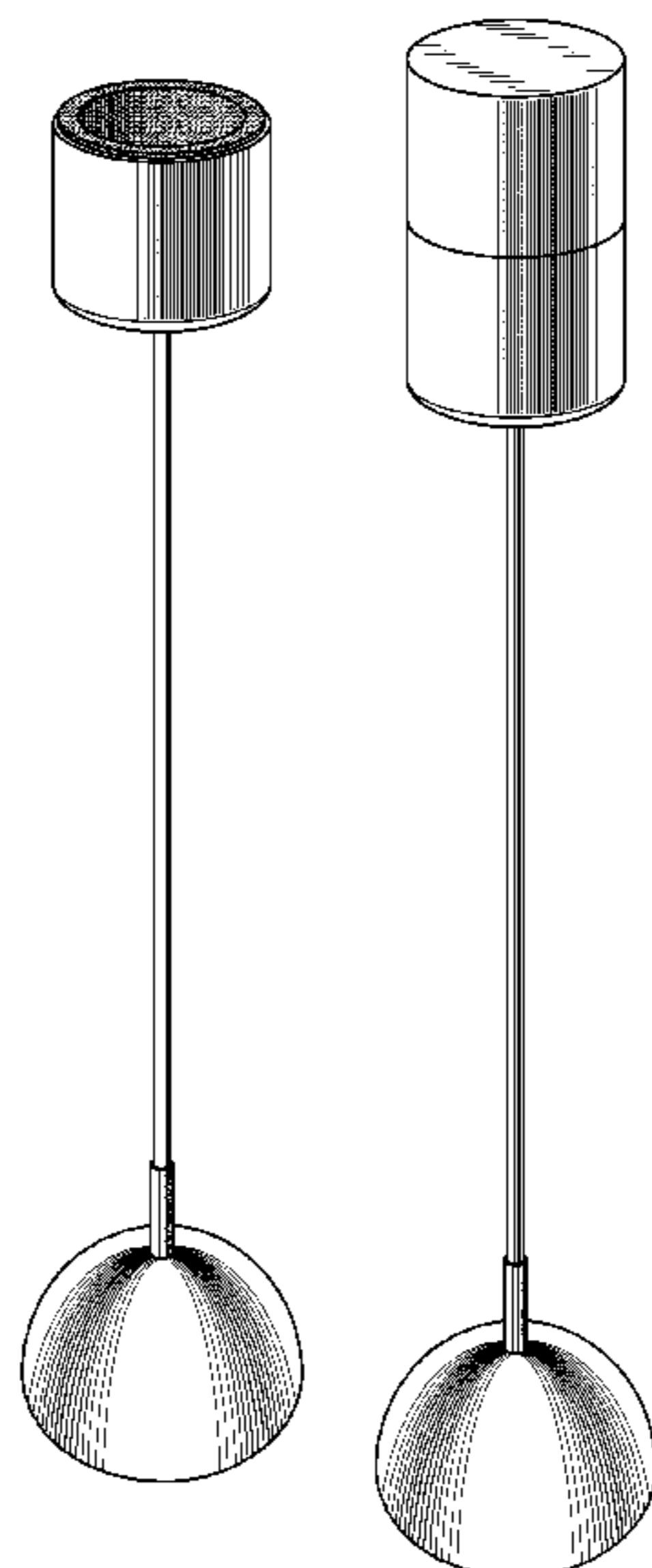
FIG. 9 is a bottom view of the holder and cover of FIG. 6; and,

FIG. 10 is a cross-sectional view of the holder and cover of FIG. 6, taken along line 10—10.

FIGS. 1–5 shown without a cover for ease of illustration.

FIGS. 6–10 shown with an optional cover.

**1 Claim, 2 Drawing Sheets**



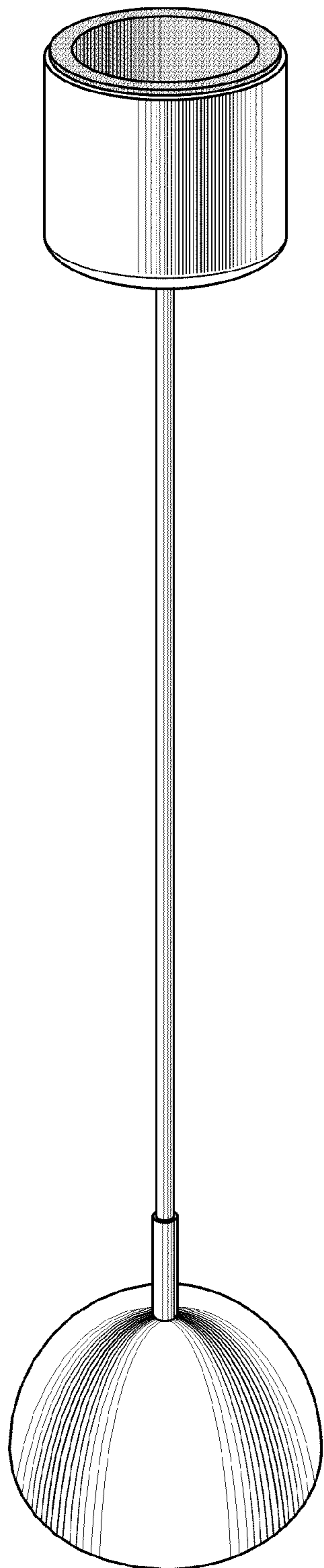
# US D592,421 S

Page 2

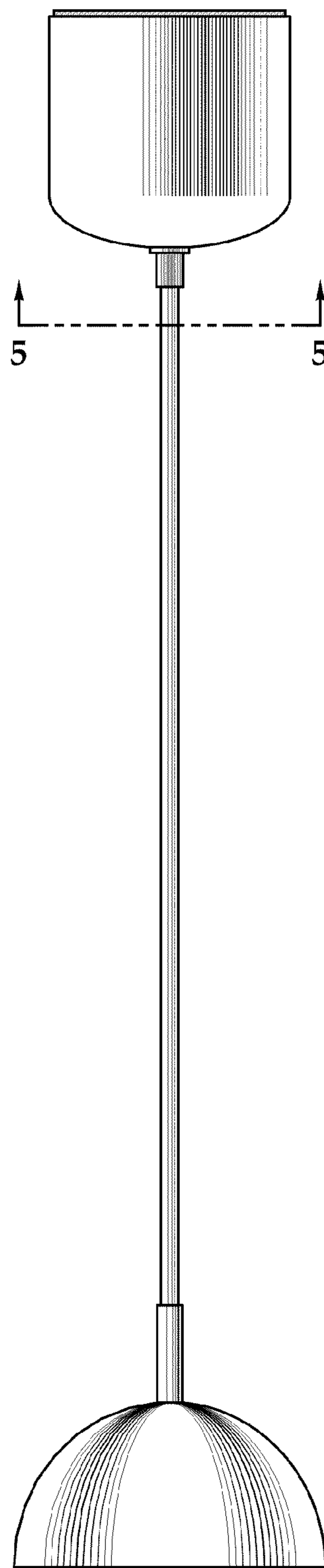
---

U.S. PATENT DOCUMENTS					
			5,065,975 A	11/1991	Giles
			D325,678 S	4/1992	Niles
3,693,830 A	9/1972	Oglesbee	5,294,083 A	3/1994	Roth
3,840,204 A	10/1974	Thomas et al.	5,375,801 A	12/1994	Porter
3,843,079 A	10/1974	Reisling	5,474,273 A	12/1995	Vinal
3,860,213 A	1/1975	Heenan	D366,600 S	1/1996	Laskowski et al.
4,096,951 A	6/1978	Menssen	5,570,863 A	11/1996	Cooper
D257,900 S *	1/1981	Scholze et al. .... D26/93	5,752,686 A	5/1998	Cooley
4,334,661 A	6/1982	Pitt	D396,383 S	7/1998	Hanson
4,359,786 A	11/1982	Rosberg et al.	D398,484 S	9/1998	Duggan
D282,233 S *	1/1986	Kelley ..... D7/553.6	5,819,720 A	10/1998	Schubert
4,570,275 A	2/1986	Merriman	5,823,496 A	10/1998	Foley et al.
4,582,282 A	4/1986	Gracie	6,015,122 A	1/2000	Qui
4,650,146 A	3/1987	Duke	6,029,937 A	2/2000	Funaro
4,825,575 A	5/1989	Rethke	D431,315 S *	9/2000	Sekine et al. .... D26/93
4,878,642 A	11/1989	Kirby, Jr.	6,575,417 B1	6/2003	Krommenakker
D307,692 S	5/1990	Shoup	D476,531 S	7/2003	Rangel
D307,693 S	5/1990	Rezman	D490,659 S	6/2004	Gies
D308,802 S	6/1990	Ward	6,942,131 B2	9/2005	Trautman et al.
4,938,446 A	7/1990	Williams	7,077,366 B2	7/2006	Young
D314,287 S *	2/1991	Albright, Sr. .... D6/417			
5,052,649 A	10/1991	Hunnicutt			

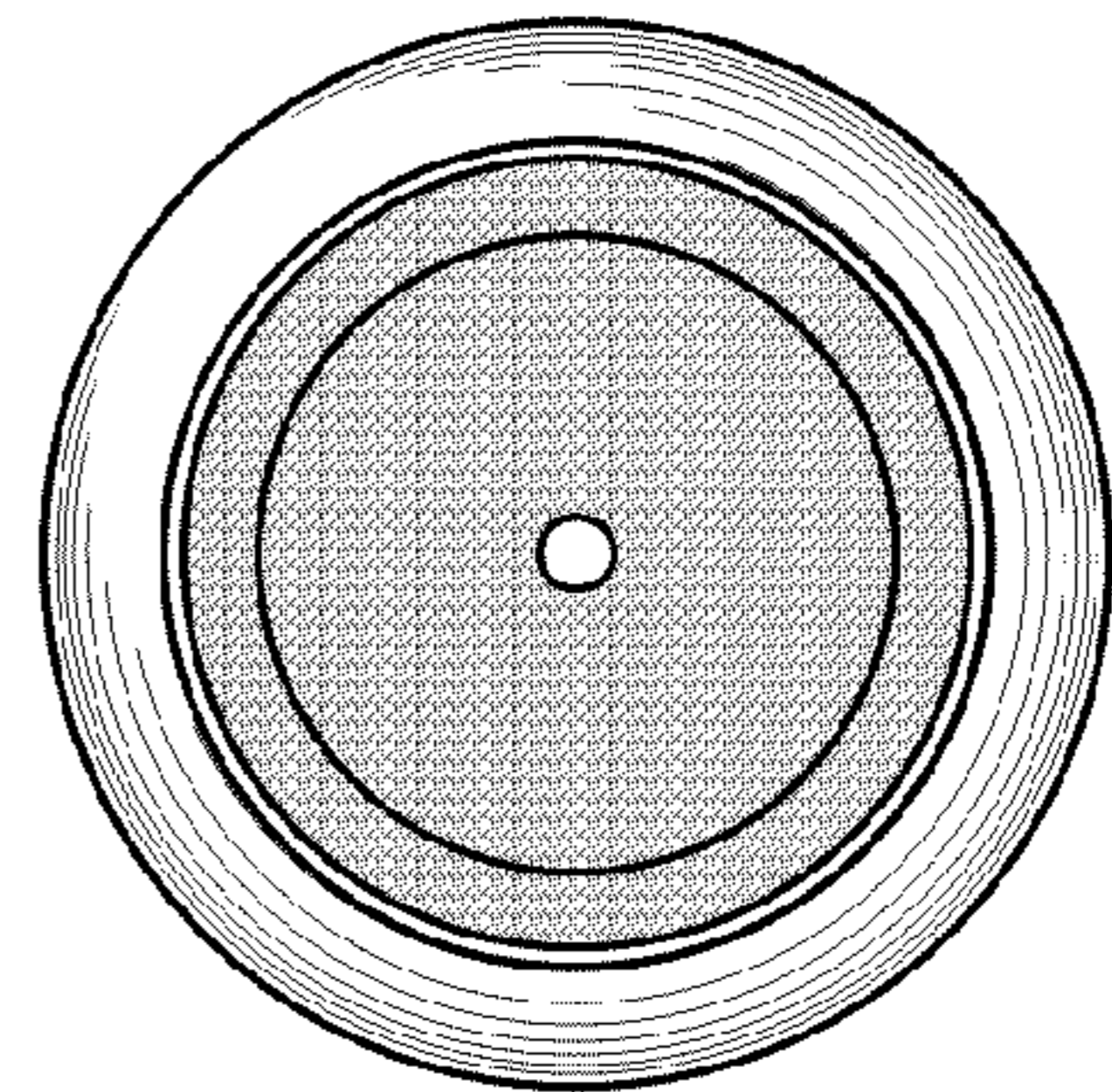
\* cited by examiner



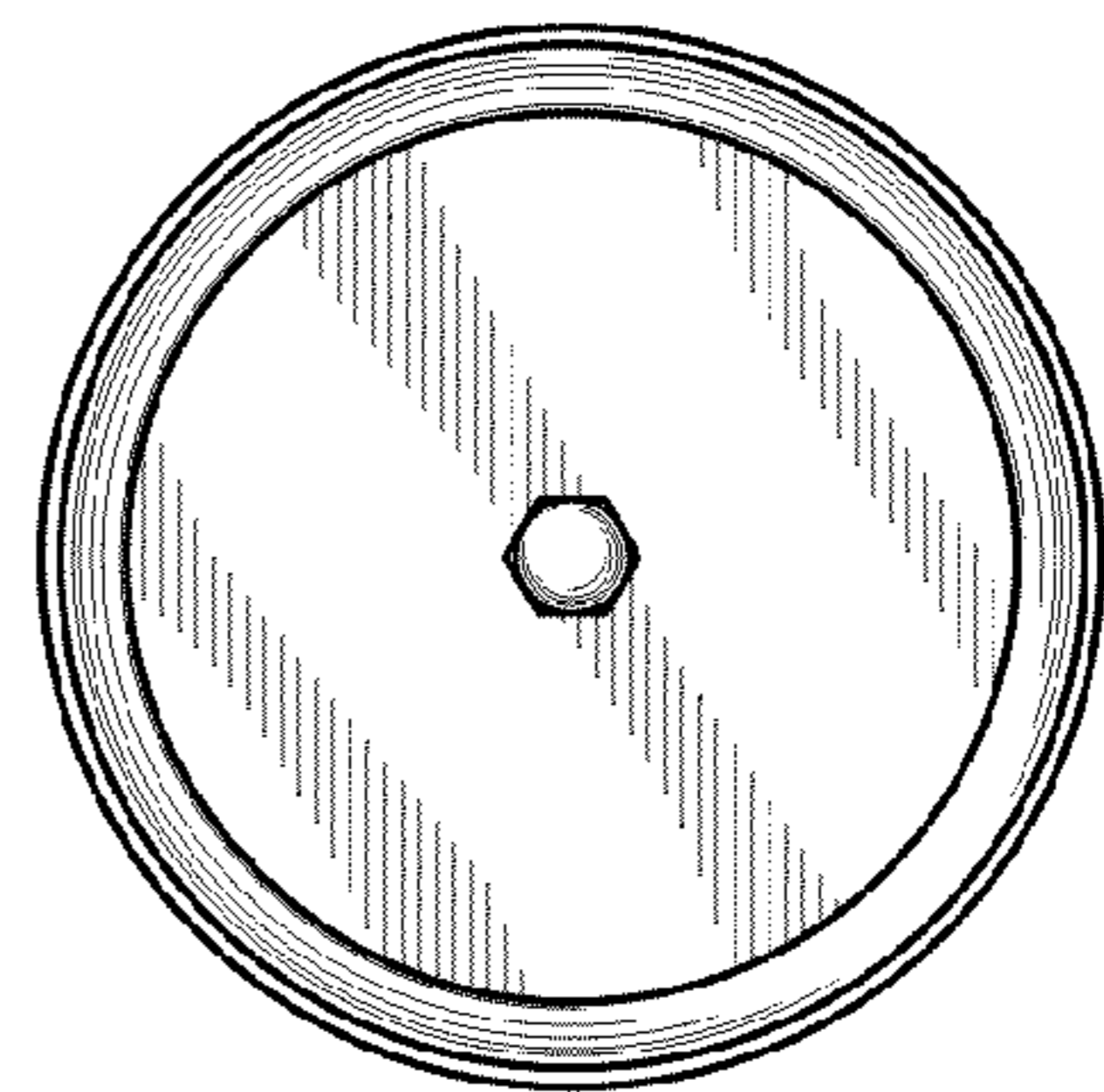
*Fig.1*



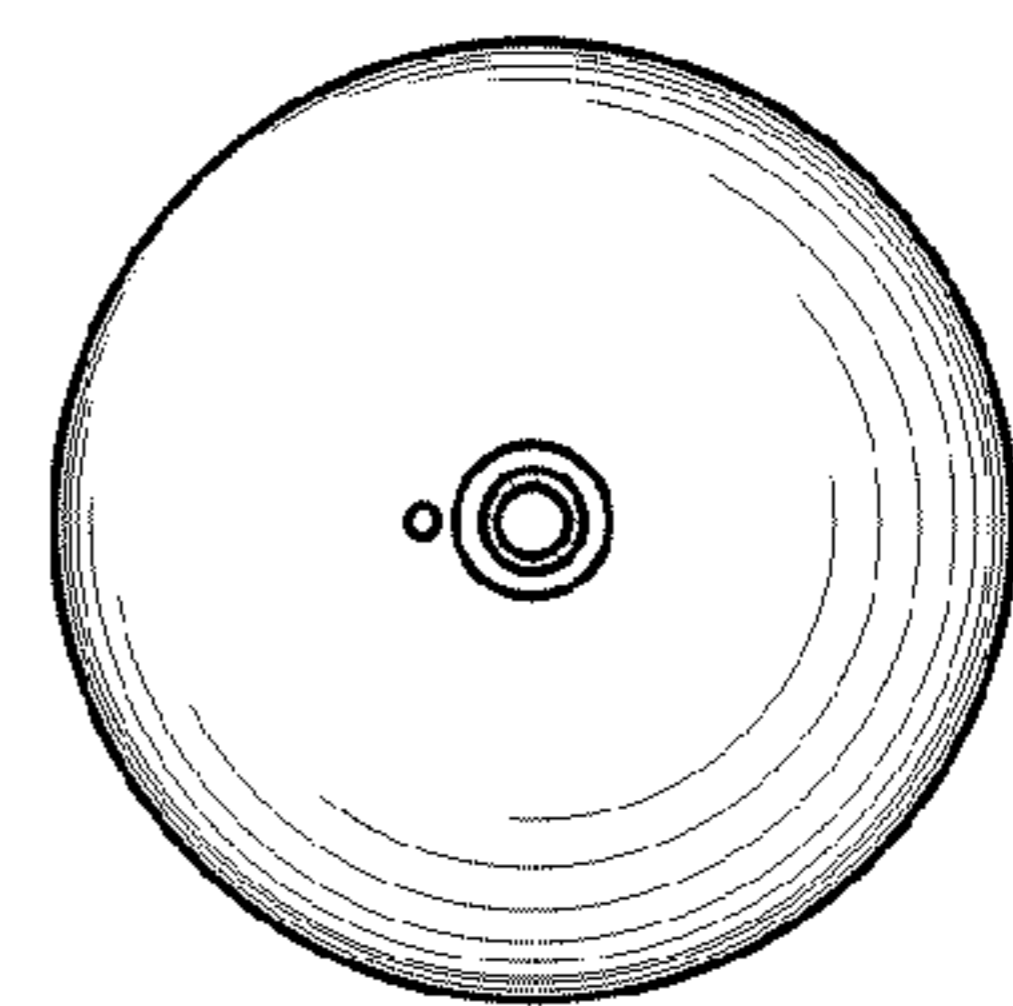
*Fig.2*



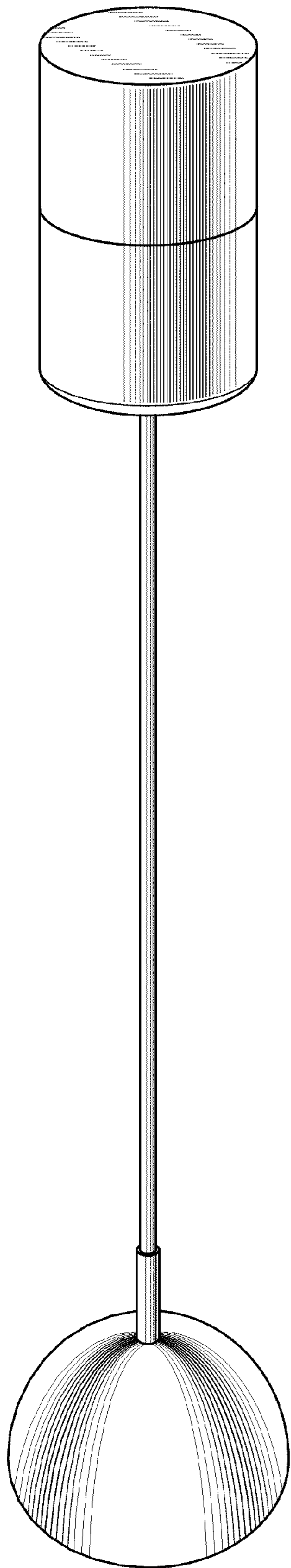
*Fig.3*



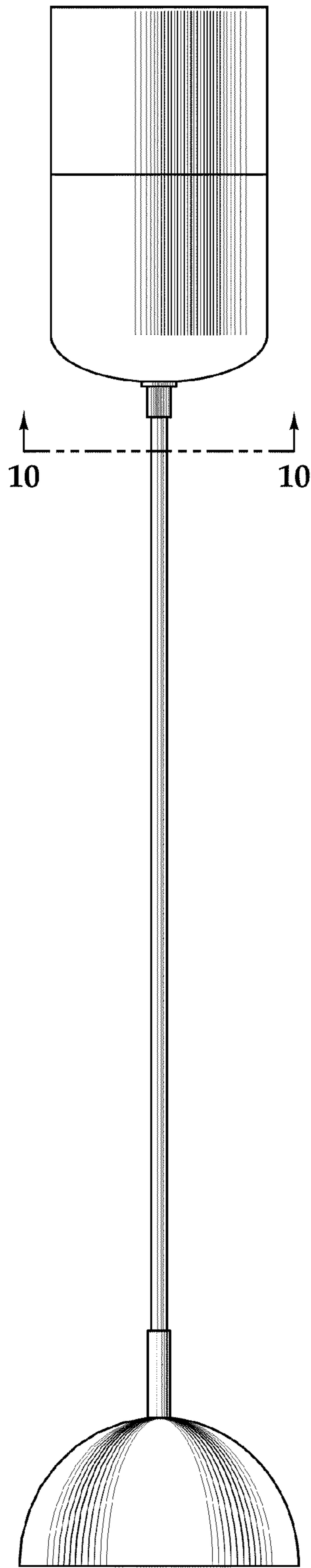
*Fig.4*



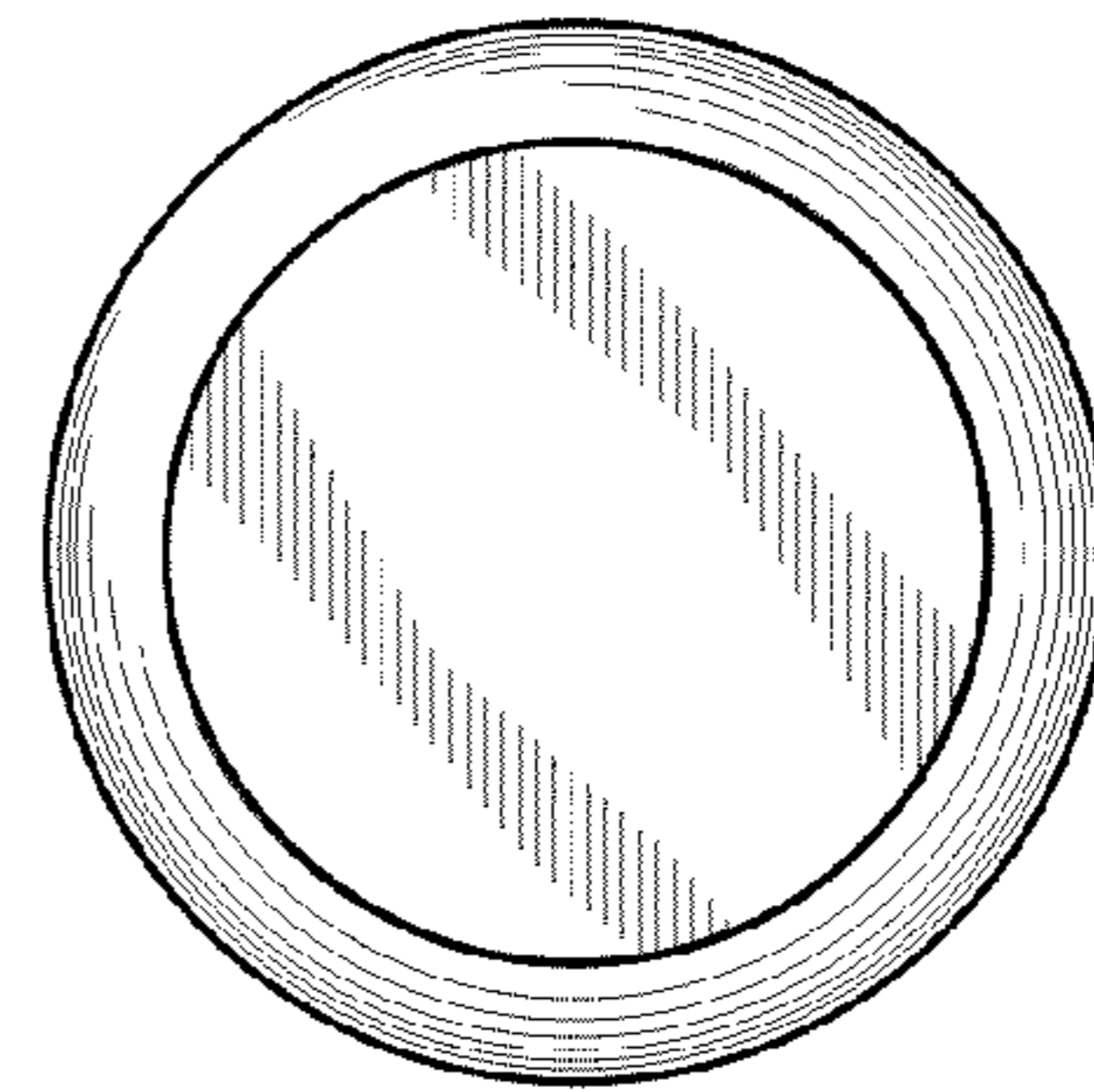
*Fig.5*



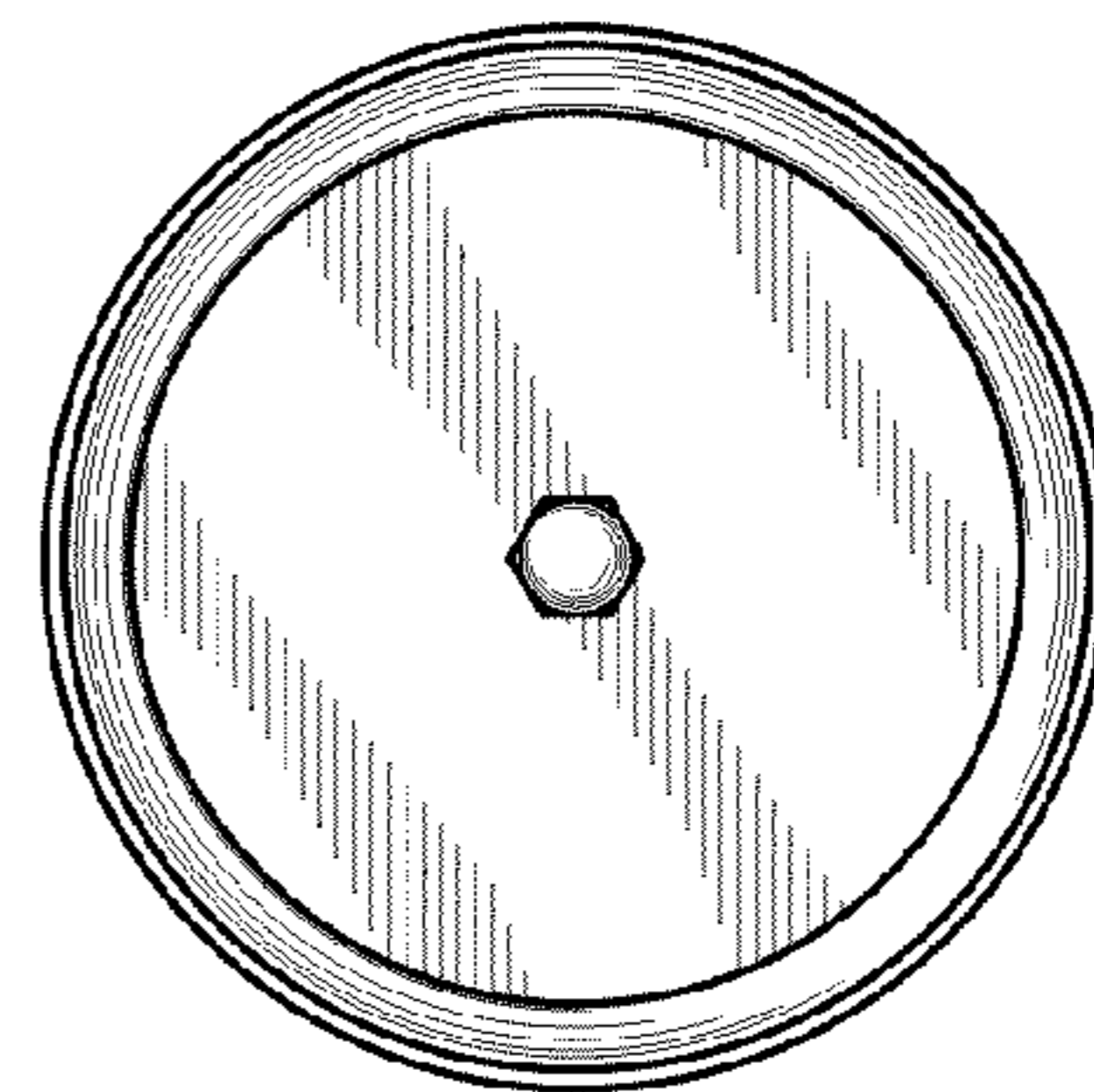
*Fig.6*



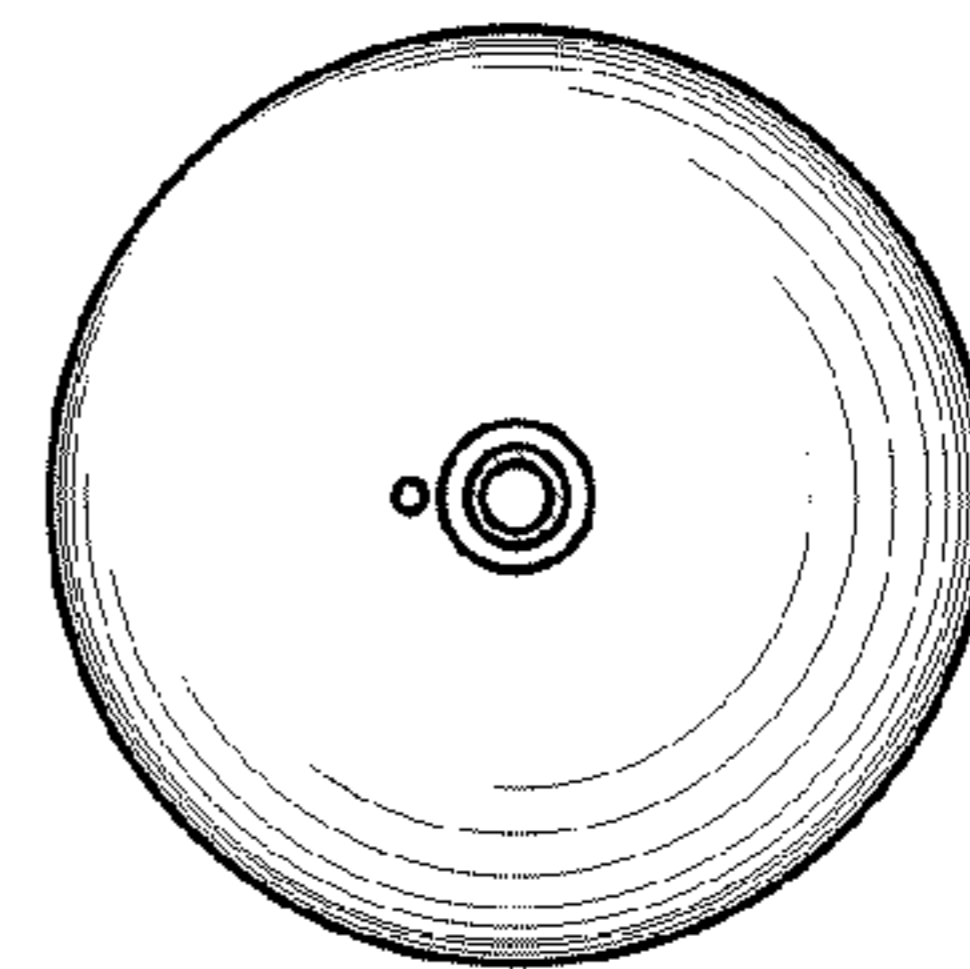
*Fig.7*



*Fig.8*



*Fig.9*



*Fig.10*