



US00D592420S

(12) **United States Design Patent**
Nankervis

(10) **Patent No.:** **US D592,420 S**
(45) **Date of Patent:** **** May 19, 2009**

(54) **STAND**

(75) Inventor: **Peter Bruce Nankervis**, Alstonville
(AU)

(73) Assignee: **Cablestik Pty Ltd.**, New South Wales
(AU)

(**) Term: **14 Years**

(21) Appl. No.: **29/278,060**

(22) Filed: **Mar. 19, 2007**

(30) **Foreign Application Priority Data**

Sep. 22, 2006 (AU) AU 311042 S

(51) **LOC (9) Cl.** **06-04**

(52) **U.S. Cl.** **D6/411**

(58) **Field of Classification Search** D6/332,
D6/429, 396, 397, 411, 430, 415, 428, 416,
D6/418, 449, 462, 491, 495, 410, 458; D8/354;
D34/17; 248/165, 170, 167, 188.06, 188.1,
248/354.5; 211/204-205, 123, 189, 196,
211/47, 94.03, 200

See application file for complete search history.

(56) **References Cited**

U.S. PATENT DOCUMENTS

- 1,834,775 A 12/1931 Hall
- 2,605,073 A 7/1952 Glenn
- 2,765,999 A 10/1956 Baker
- 2,833,503 A 5/1958 Harshbarger et al.
- 3,270,997 A 9/1966 Gethmann
- 3,368,784 A 2/1968 Peterson
- D211,431 S * 6/1968 Gelles D6/411
- 4,167,255 A 9/1979 Benson
- 4,172,579 A 10/1979 Steinman
- D294,543 S * 3/1988 Rekow D6/411

- 4,969,620 A 11/1990 Plummer
- D323,716 S 2/1992 Shook et al.
- D325,679 S * 4/1992 O'Mealy et al. D6/429
- D358,506 S * 5/1995 Lara D6/411
- 5,443,234 A 8/1995 Woods
- D414,625 S * 10/1999 Stelmarski D6/411
- D450,473 S * 11/2001 Walter D6/411
- D455,067 S 4/2002 Shea
- D466,331 S * 12/2002 Chang D6/411
- D469,975 S * 2/2003 Sparkowski D6/411
- D496,180 S * 9/2004 Abruzzo D6/411
- D537,266 S * 2/2007 Ward D6/411
- 2003/0122052 A1 7/2003 Huang et al.

FOREIGN PATENT DOCUMENTS

- AU 677359 4/1997
- AU 752963 10/2002
- DE 8911958 2/1990
- EP 0280651 8/1988
- FR 658105 5/1929
- FR 1400561 12/1965
- GB 934767 8/1963
- WO WO95/14372 6/1995
- WO WO 2004/095983 11/2004

* cited by examiner

Primary Examiner—Caron Veynar

Assistant Examiner—Abraham Bahta

(74) *Attorney, Agent, or Firm*—King & Schickli PLLC

(57) **CLAIM**

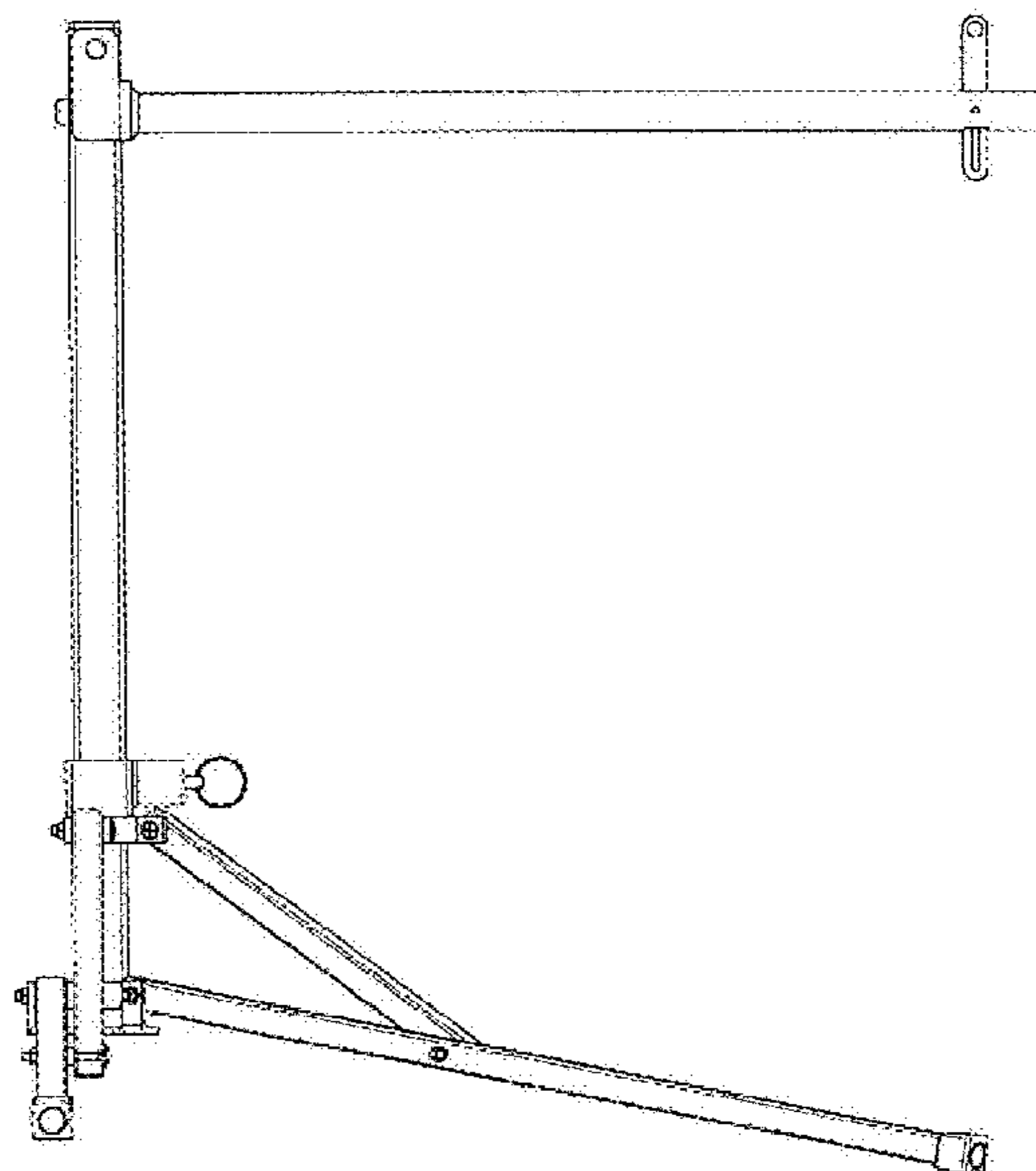
The ornamental design for a stand, as shown and described.

DESCRIPTION

FIG. 1 is a first isometric view of the stand of the present invention; and,

FIG. 2 is a second isometric view thereof.

1 Claim, 2 Drawing Sheets



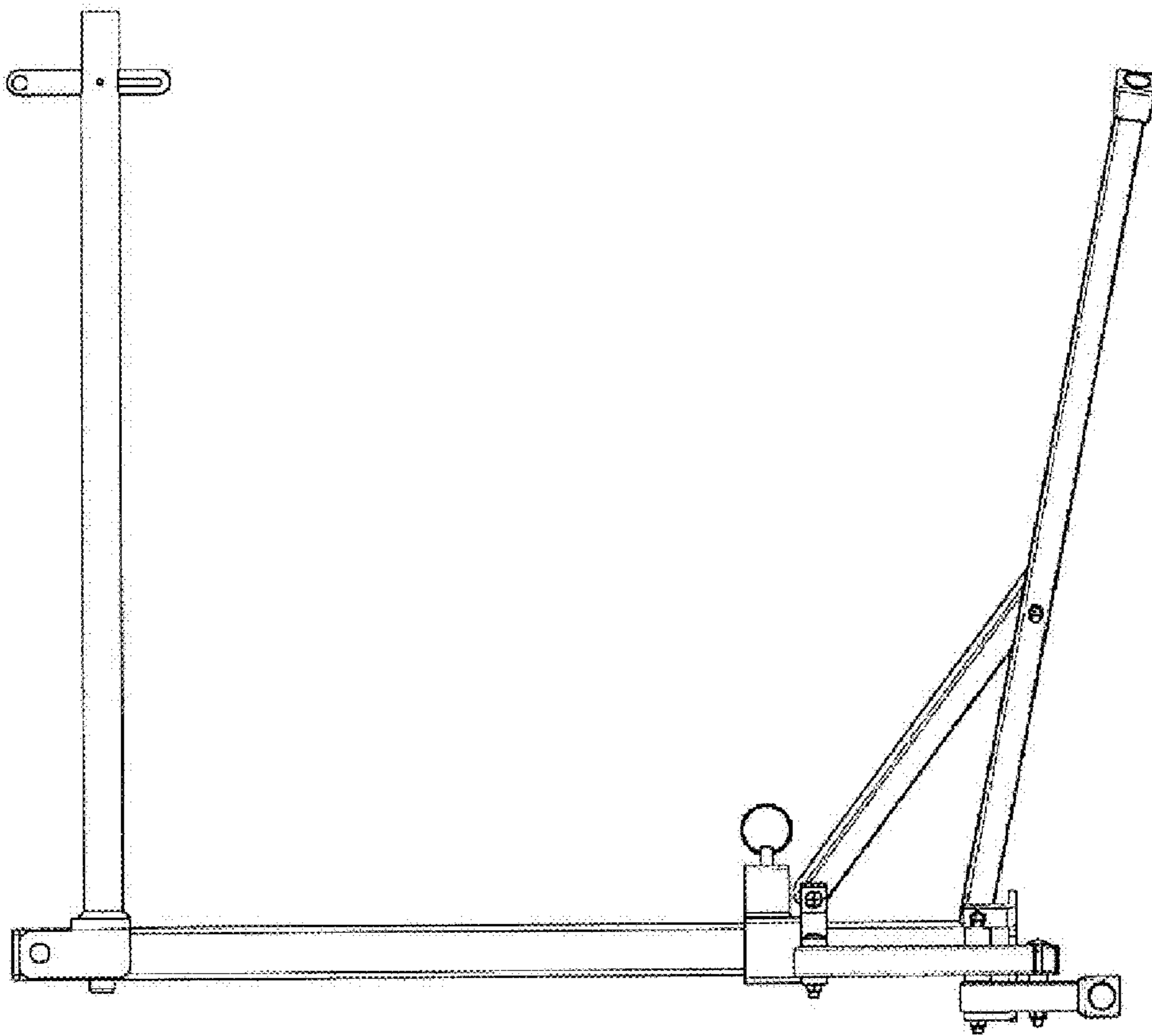


FIG. 1

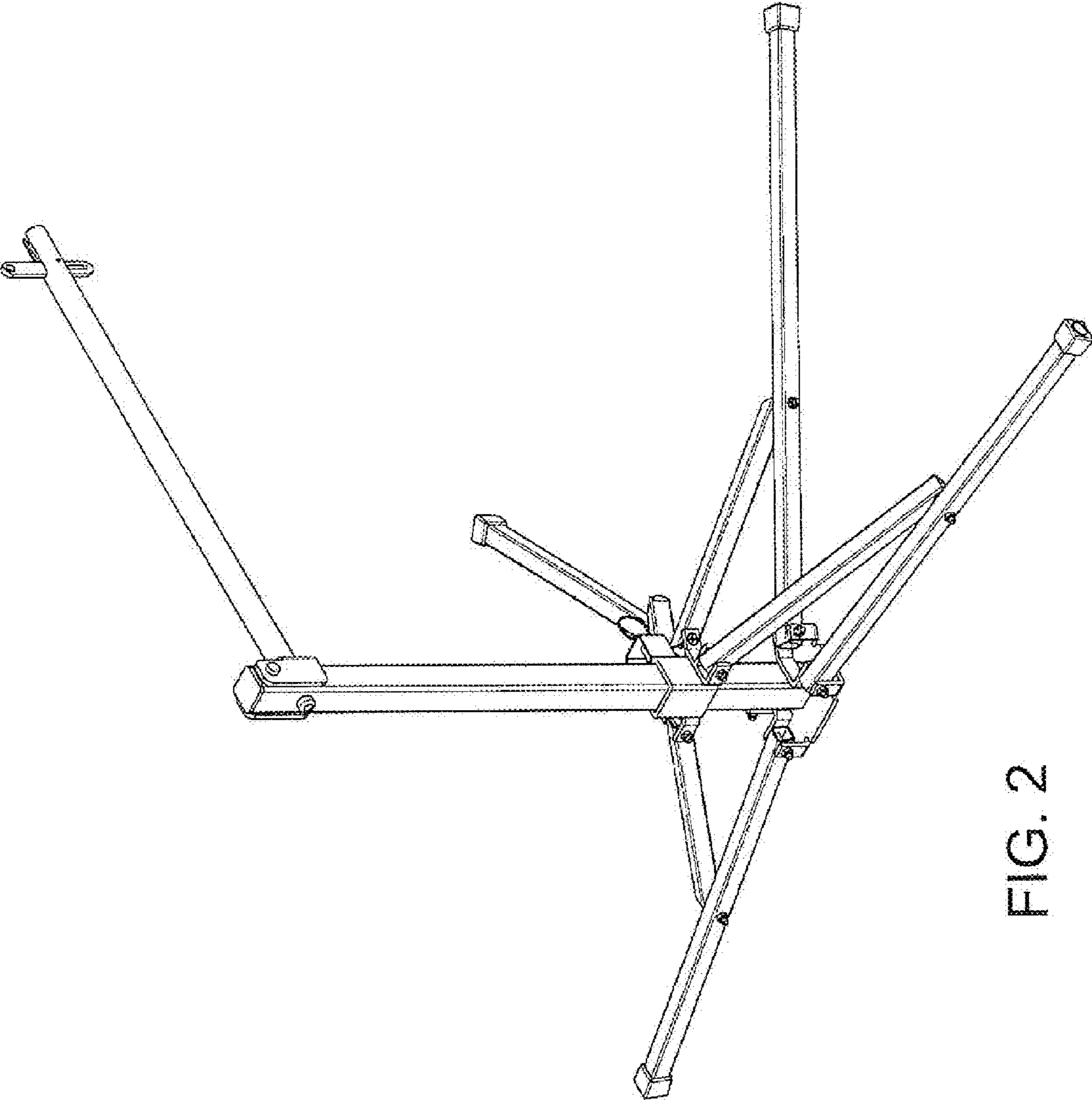


FIG. 2