



US00D592418S

(12) **United States Design Patent**
Bergin

(10) **Patent No.:** **US D592,418 S**

(45) **Date of Patent:** **** May 19, 2009**

(54) **CADDY TABLE ARM**

(75) **Inventor:** **Peter W. A. Bergin**, Rancho Mirage, CA (US)

(73) **Assignee:** **Caddy Products, Inc.**, Thousand Palms, CA (US)

(**) **Term:** **14 Years**

(21) **Appl. No.:** **29/226,473**

(22) **Filed:** **Mar. 29, 2005**

(51) **LOC (9) Cl.** **06-04**

(52) **U.S. Cl.** **D6/397**

(58) **Field of Classification Search** D6/396,
D6/397, 406.3, 432, 338, 511; 297/188.18,
297/160, 170, 153, 411.27, 161, 135; 108/26,
108/157.11, 157.15, 42; 248/311.2, 222.11;
D12/419

See application file for complete search history.

(56) **References Cited**

U.S. PATENT DOCUMENTS

- 2,776,177 A * 1/1957 Vance 297/170
- 3,498,470 A * 3/1970 Thomas 211/74
- 4,662,676 A * 5/1987 Havelock 297/160
- D294,205 S * 2/1988 Schmidgall D6/406.3
- 4,798,413 A * 1/1989 Capelli 297/161
- D299,991 S * 2/1989 Hershberger D6/511

- 5,651,523 A * 7/1997 Bridges 248/311.2
- 5,865,124 A * 2/1999 Wroe 108/26
- 6,109,580 A 8/2000 Stern et al. 248/311.2
- D534,480 S * 1/2007 Fraser et al. D12/419
- 7,198,327 B2 * 4/2007 Bergin 297/188.18
- 7,290,746 B1 * 11/2007 Macias et al. 248/311.2
- 2006/0249999 A1 * 11/2006 Bergin 297/188.18

* cited by examiner

Primary Examiner—Caron Veynar

Assistant Examiner—Sydney R Buffalow

(74) *Attorney, Agent, or Firm*—Westman, Champlin & Kelly, P.A.; Z. Peter Sawicki

(57) **CLAIM**

The ornamental design for a caddy table arm, as shown and described.

DESCRIPTION

FIG. 1 is a perspective view of the present invention;

FIG. 2 is a top plan view;

FIG. 3 is a bottom view;

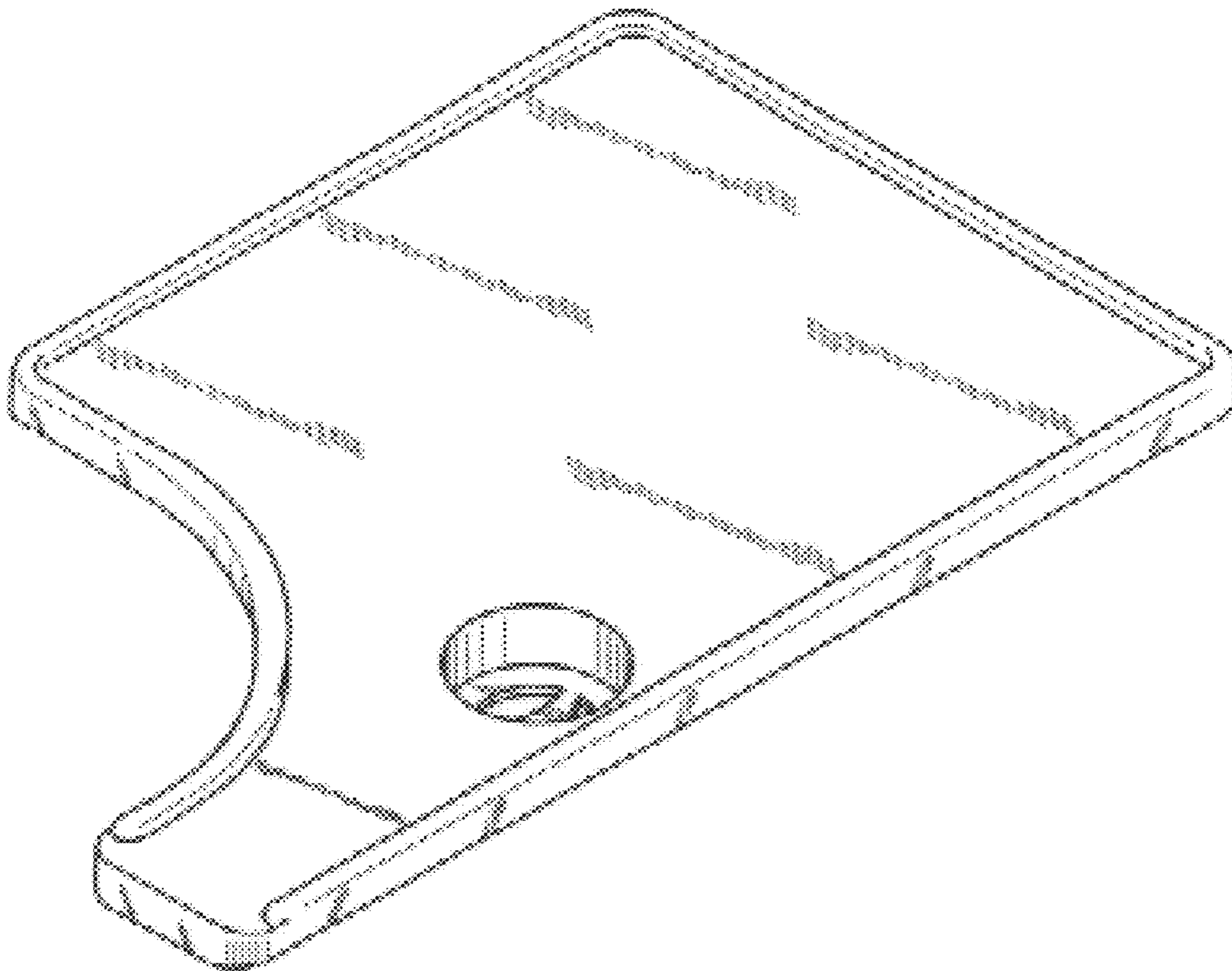
FIG. 4 is a rear view;

FIG. 5 is a front view;

FIG. 6 is a left view; and,

FIG. 7 is a right view.

1 Claim, 3 Drawing Sheets



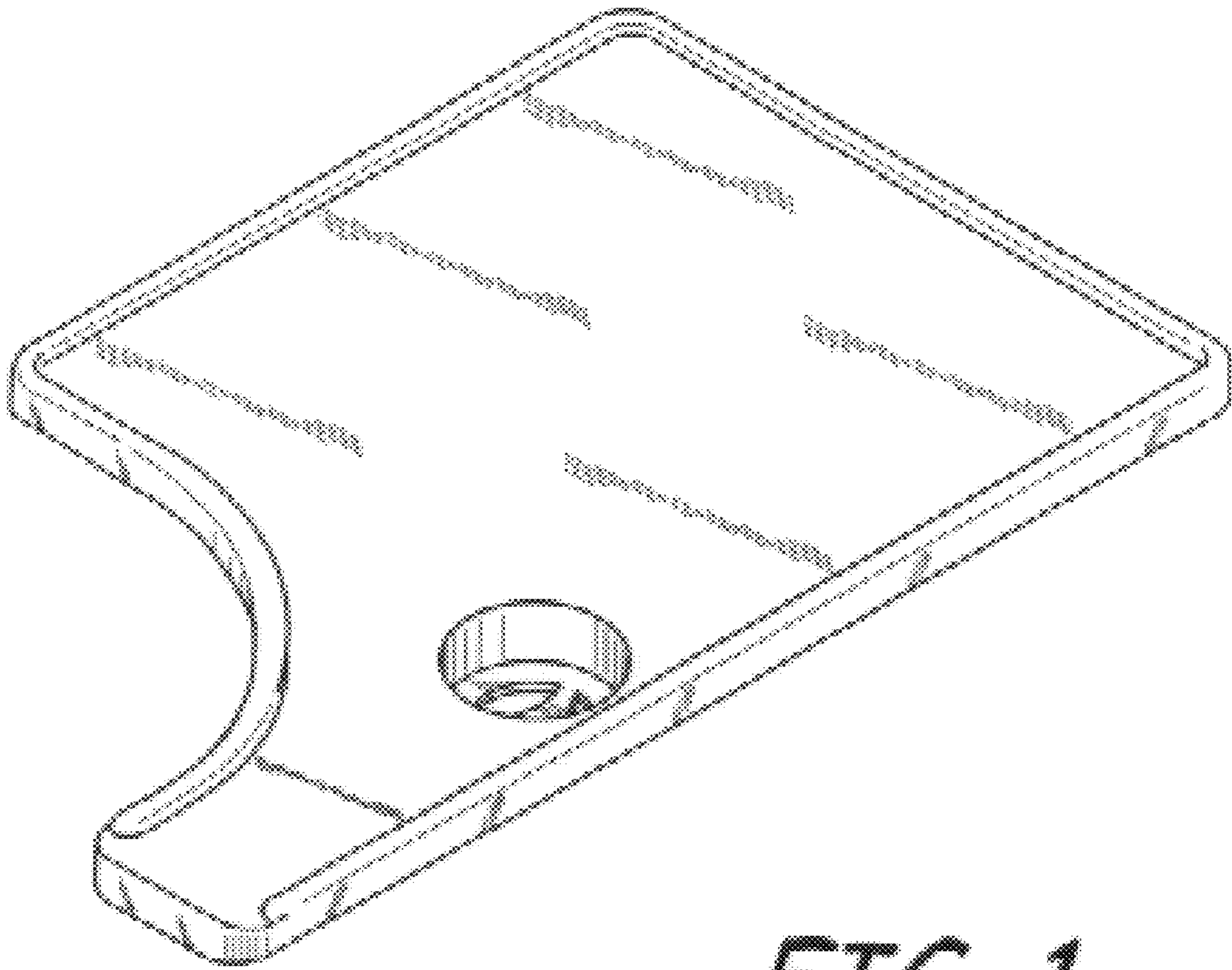


FIG. 1

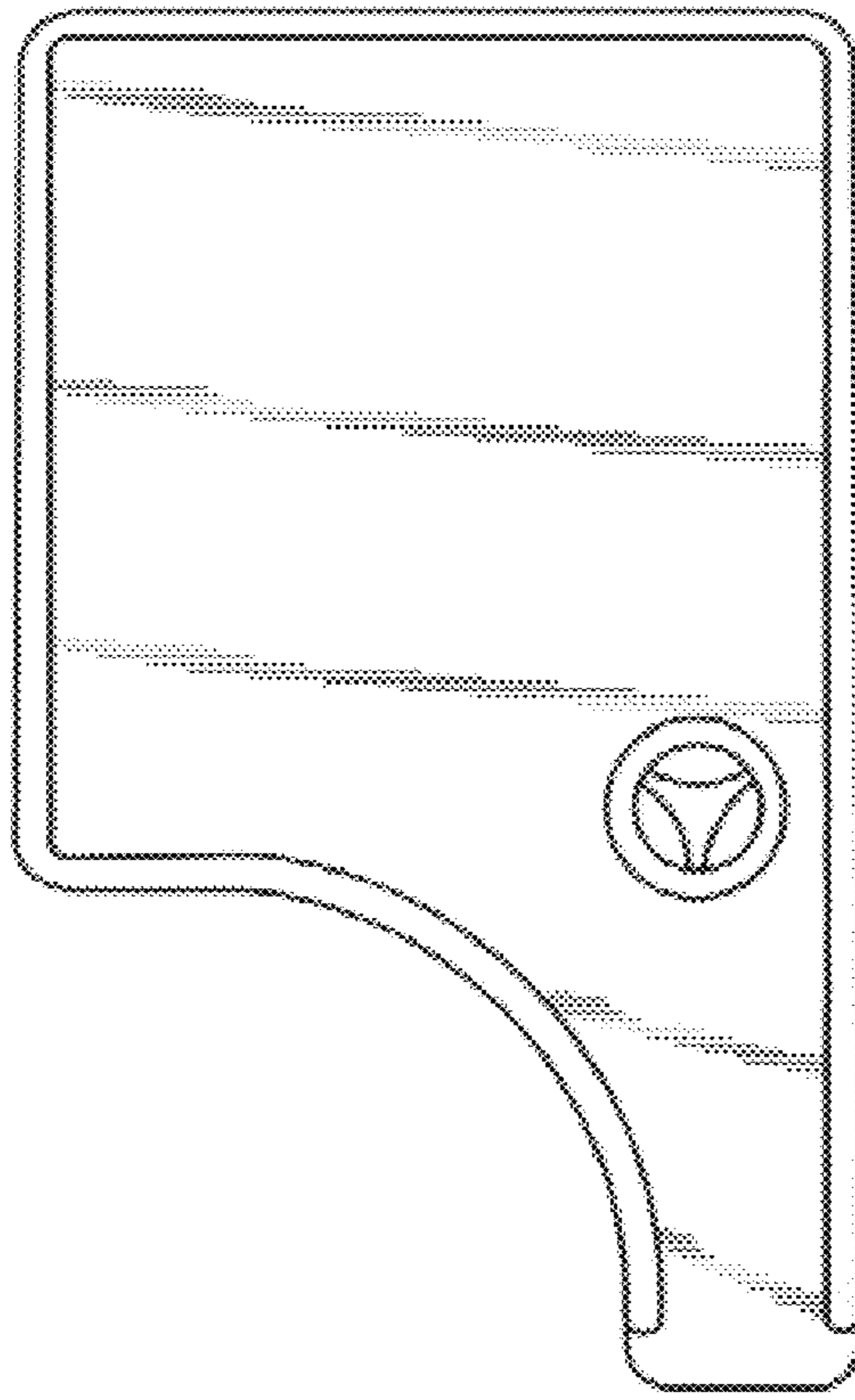


FIG. 2

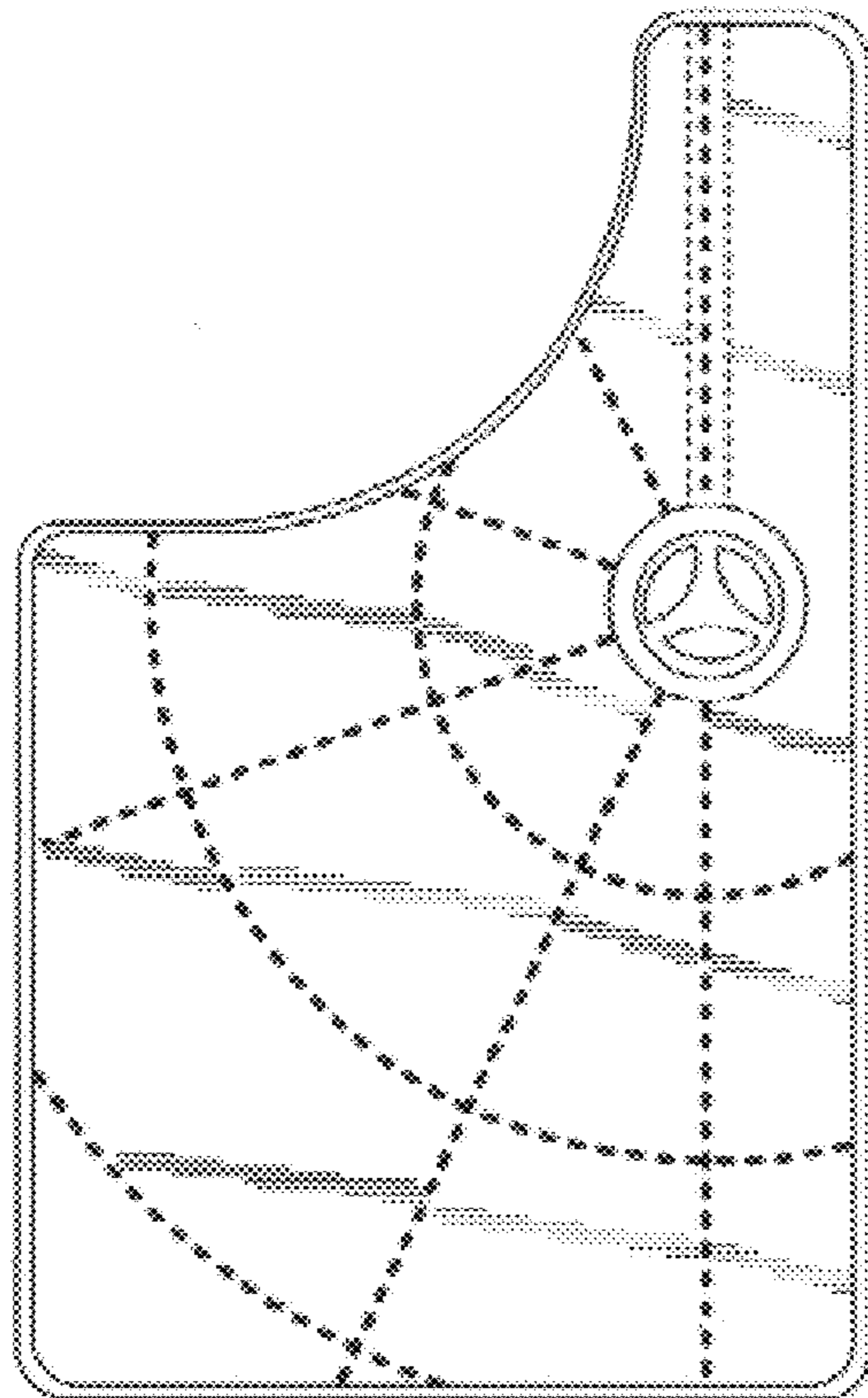


FIG. 3

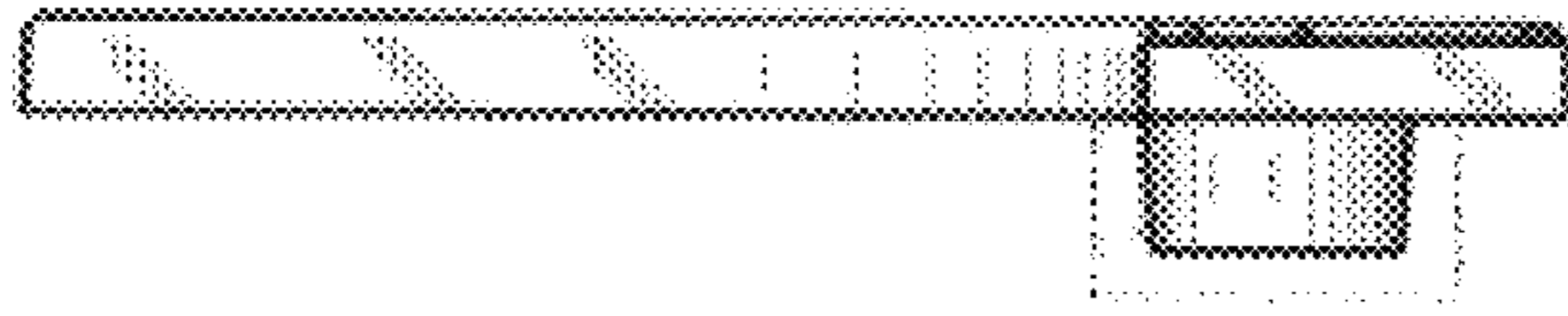


FIG. 4



FIG. 5



FIG. 6



FIG. 7