



US00D592416S

(12) **United States Design Patent**  
**Weiss**

(10) **Patent No.:** **US D592,416 S**  
(45) **Date of Patent:** **\*\* May 19, 2009**

(54) **SOFA**

(75) **Inventor:** **Per Weiss, Randers (DK)**

(73) **Assignee:** **Innovation U.S.A., Inc., Hanover, MD (US)**

(\*\*) **Term:** **14 Years**

(21) **Appl. No.:** **29/324,651**

(22) **Filed:** **Sep. 17, 2008**

(51) **LOC (9) Cl.** ..... **06-01**

(52) **U.S. Cl.** ..... **D6/381**

(58) **Field of Classification Search** ..... D6/334,  
D6/335, 349, 353, 368, 371, 377, 381, 382,  
D6/383, 500-503; 297/16.1, 16.2, 34, 42,  
297/44, 63, 232, 233, 350, 351, 353, 354.1,  
297/445.1, 448.1, 448.2; 5/12.1, 12.2

See application file for complete search history.

(56) **References Cited**

**U.S. PATENT DOCUMENTS**

2,570,401 A \* 10/1951 Stein ..... 5/12.1

(Continued)

*Primary Examiner*—Sandra Snapp

(74) *Attorney, Agent, or Firm*—Miles & Stockbridge PC;  
James T. Carmichael; Michael A. Minter

(57) **CLAIM**

The ornamental design for a sofa, as shown and described.

**DESCRIPTION**

FIG. 1 is a front left perspective view of the sofa showing the new design;

FIG. 2 is a front right perspective view thereof;

FIG. 3 is a front view thereof;

FIG. 4 is a rear view thereof;

FIG. 5 is a left side view thereof;

FIG. 6 is a right side view thereof;

FIG. 7 is a top plan view thereof;

FIG. 8 is a bottom plan view thereof;

FIG. 9 is a front left perspective view thereof in a slightly inclined position;

FIG. 10 is a front right perspective view thereof in the slightly inclined position;

FIG. 11 is a front view thereof in the slightly inclined position;

FIG. 12 is a rear view thereof in the slightly inclined position;

FIG. 13 is a left side view thereof in the slightly inclined position;

FIG. 14 is a right side view thereof in the slightly inclined position;

FIG. 15 is a top plan view thereof in the slightly inclined position;

FIG. 16 is a bottom plan view thereof in the slightly inclined position;

FIG. 17 is a front left perspective view thereof in a highly inclined position;

FIG. 18 is a front right perspective view thereof in the highly inclined position;

FIG. 19 is a front view thereof in the highly inclined position;

FIG. 20 is a rear view thereof in the highly inclined position;

FIG. 21 is a left side view thereof in the highly inclined position;

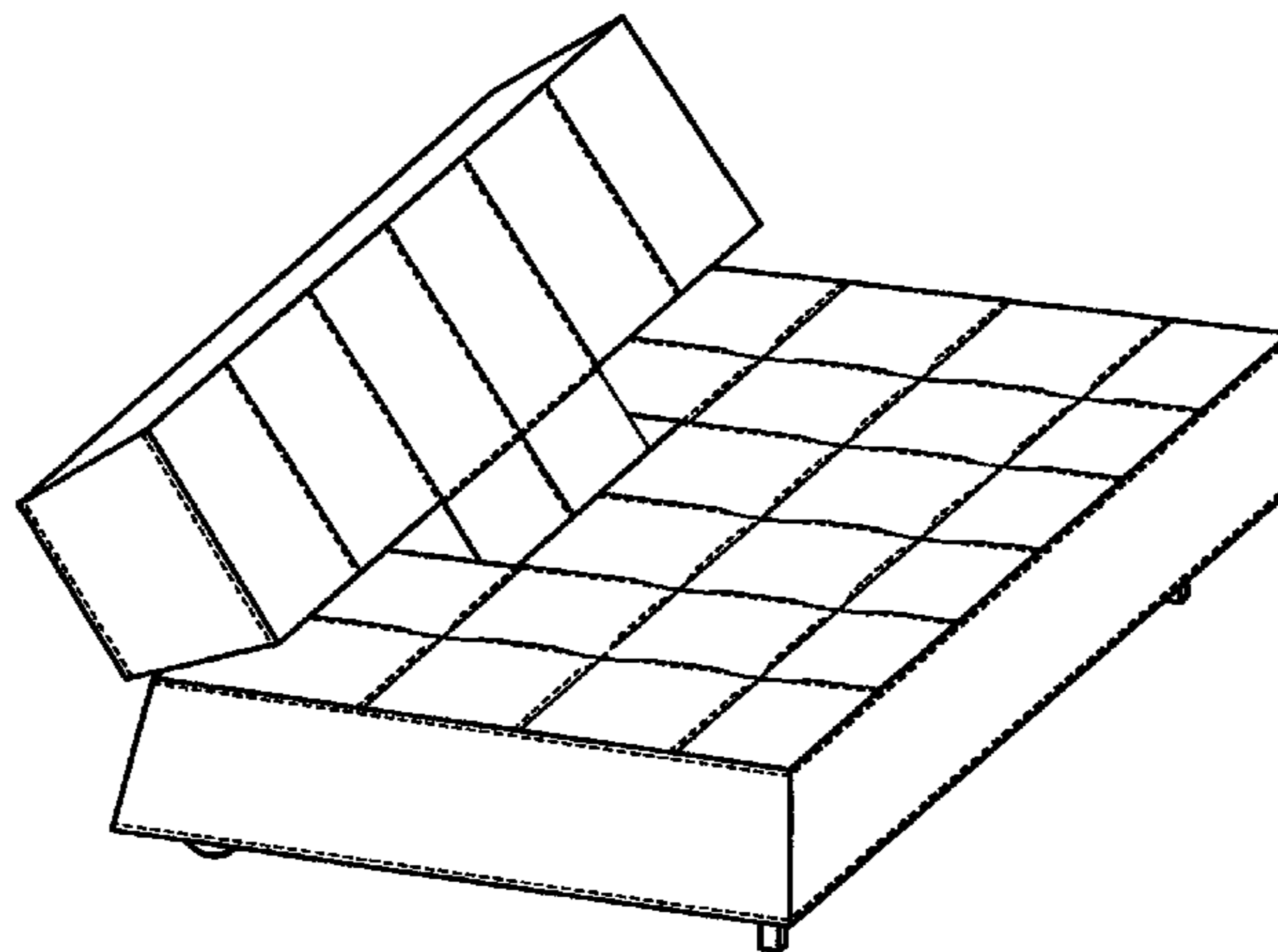
FIG. 22 is a right side view thereof in the highly inclined position;

FIG. 23 is a top plan view thereof in the highly inclined position; and,

FIG. 24 is a bottom plan view thereof in the highly inclined position.

The dotted lines shown on the article represent topstitching. The broken lines shown in the drawings are for illustrative purposes only and form no part of the claimed design.

**1 Claim, 18 Drawing Sheets**



# US D592,416 S

Page 2

---

## U.S. PATENT DOCUMENTS

|               |         |           |       |        |              |         |              |       |        |
|---------------|---------|-----------|-------|--------|--------------|---------|--------------|-------|--------|
| D170,088 S *  | 7/1953  | Hoffman   | ..... | D6/381 | D446,962 S * | 8/2001  | Mourgue      | ..... | D6/381 |
| D171,368 S *  | 1/1954  | Rothstein | ..... | D6/381 | D490,996 S * | 6/2004  | Weiss et al. | ..... | D6/381 |
| 2,774,977 A * | 12/1956 | Mintz     | ..... | 5/12.1 | D498,075 S * | 11/2004 | Mourgue      | ..... | D6/381 |
| 4,110,855 A * | 9/1978  | Acker     | ..... | 5/45   | D566,980 S * | 4/2008  | Mourgue      | ..... | D6/381 |
| 4,292,698 A * | 10/1981 | Acker     | ..... | 5/45   | D569,123 S * | 5/2008  | Roos et al.  | ..... | D6/381 |
| D272,968 S *  | 3/1984  | Fairaizen | ..... | D6/381 | D573,359 S * | 7/2008  | Weiss        | ..... | D6/335 |

\* cited by examiner

FIG. 1

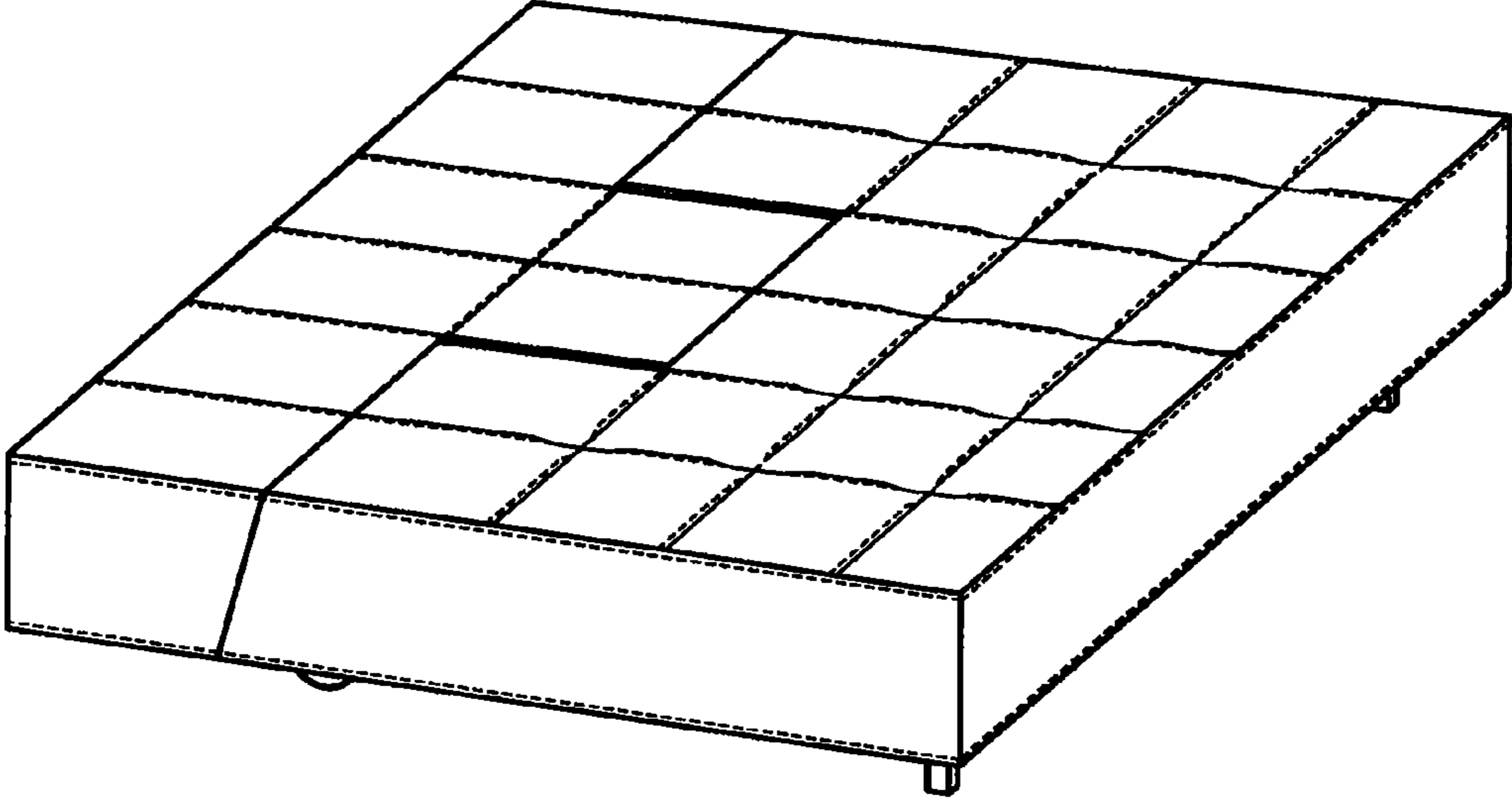


FIG. 2

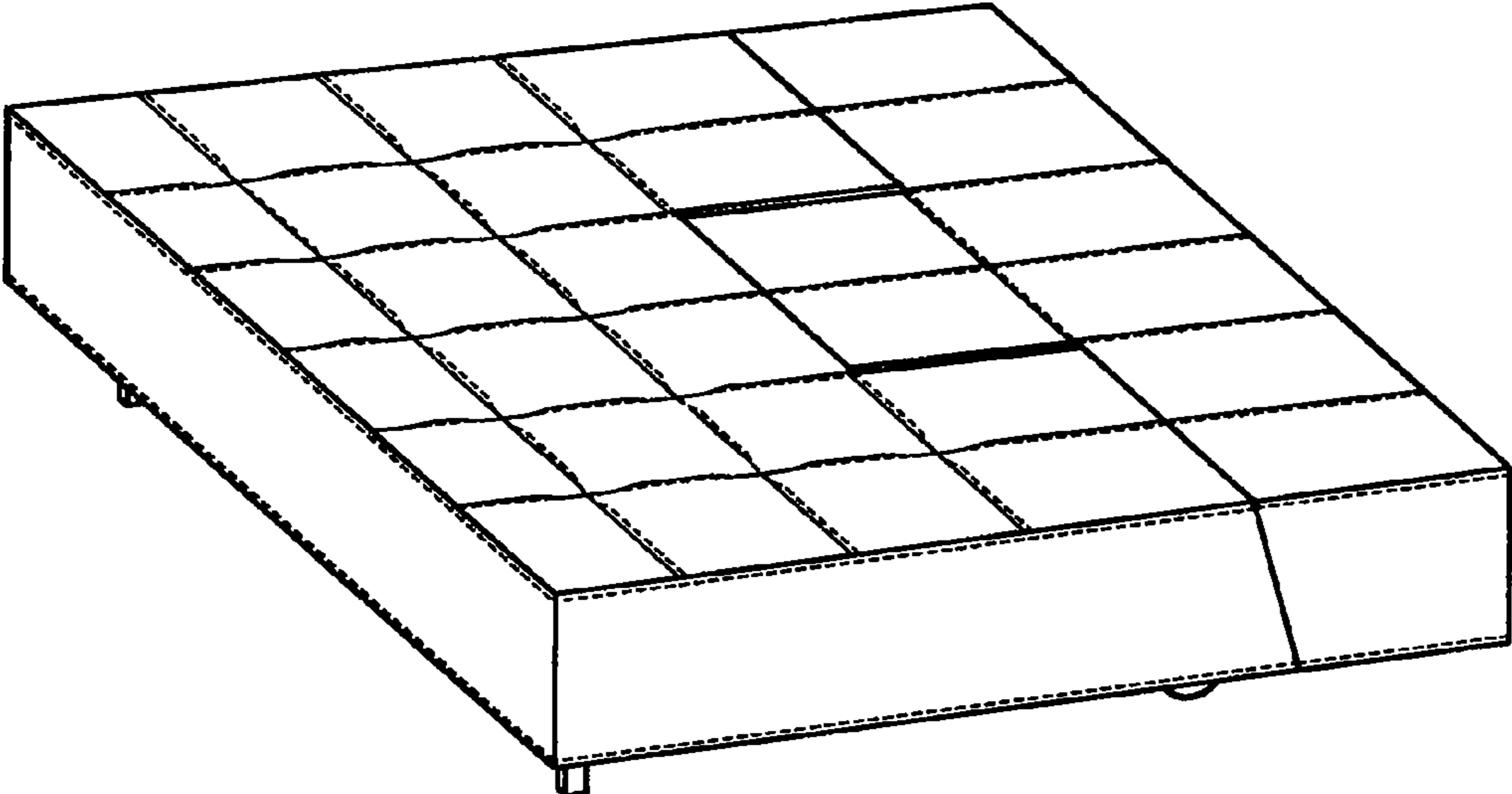


FIG. 3

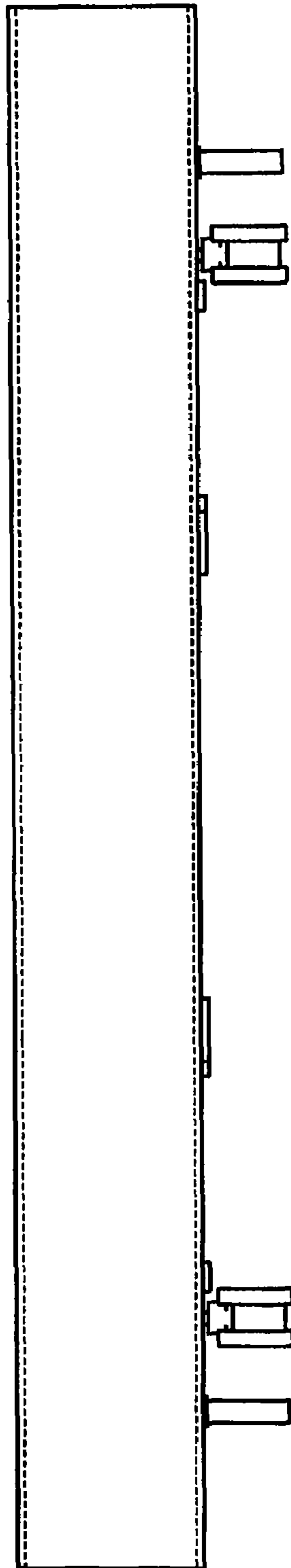


FIG. 4

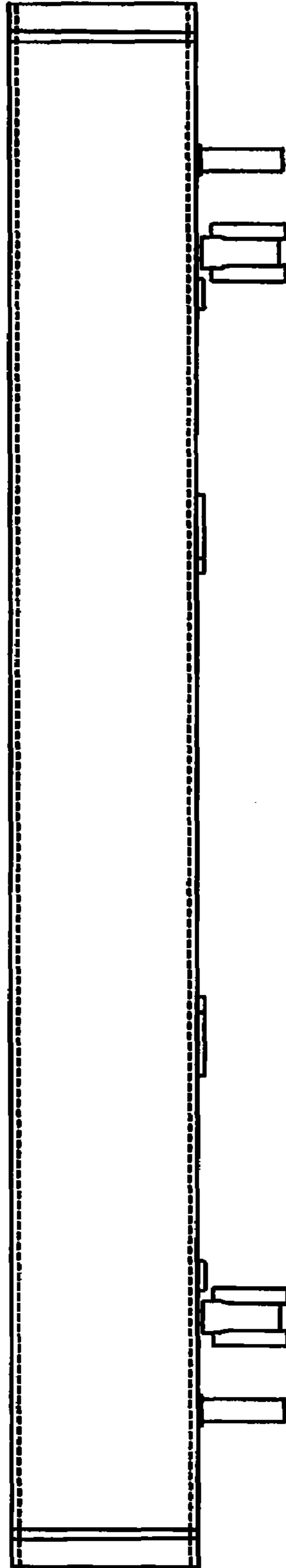


FIG. 5

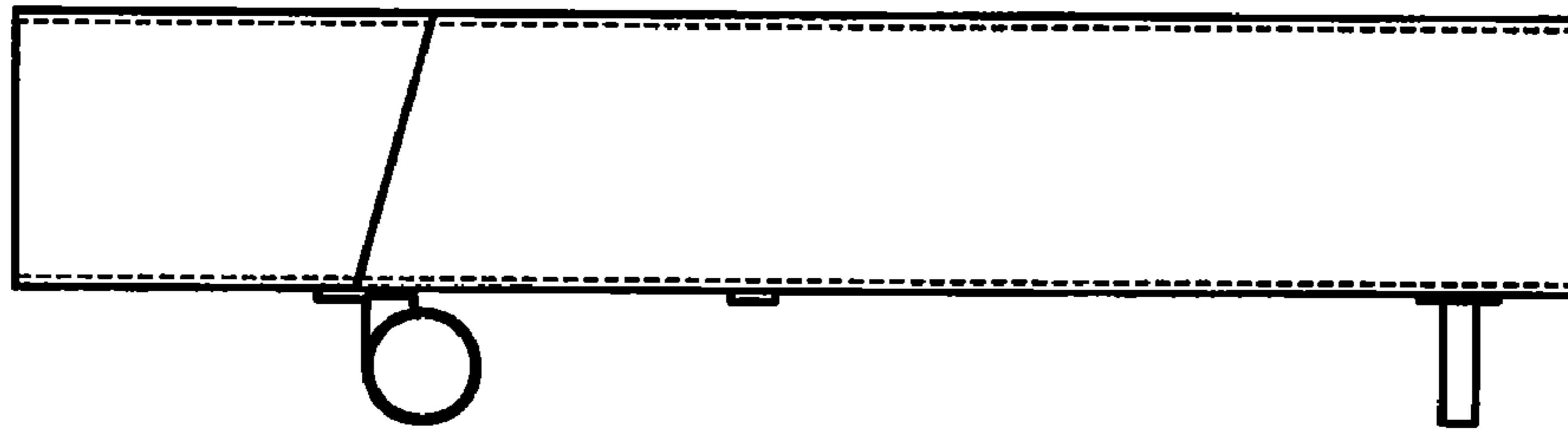


FIG. 6

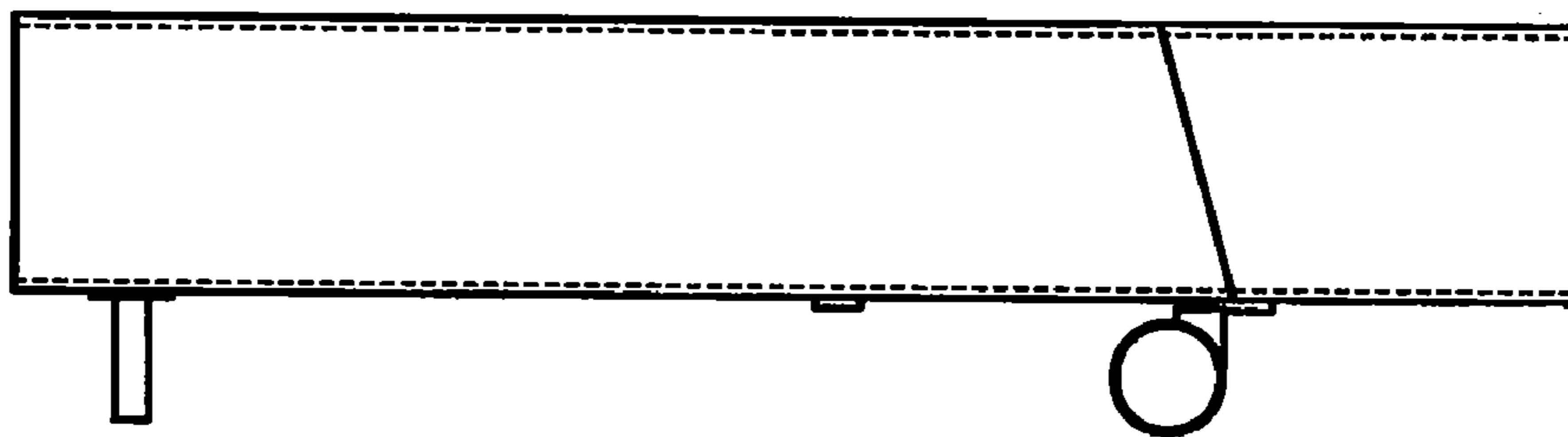


FIG. 7

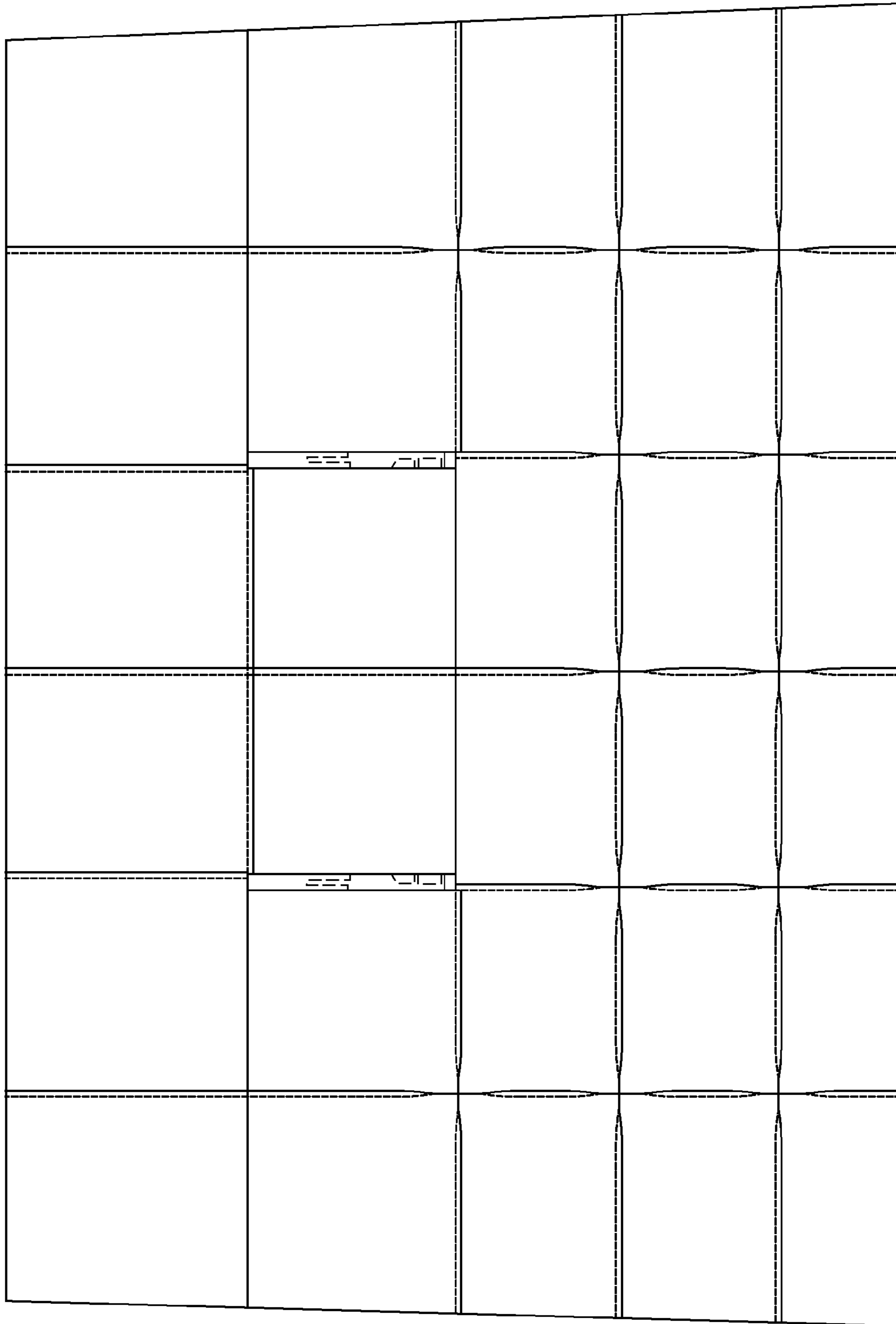


FIG. 8

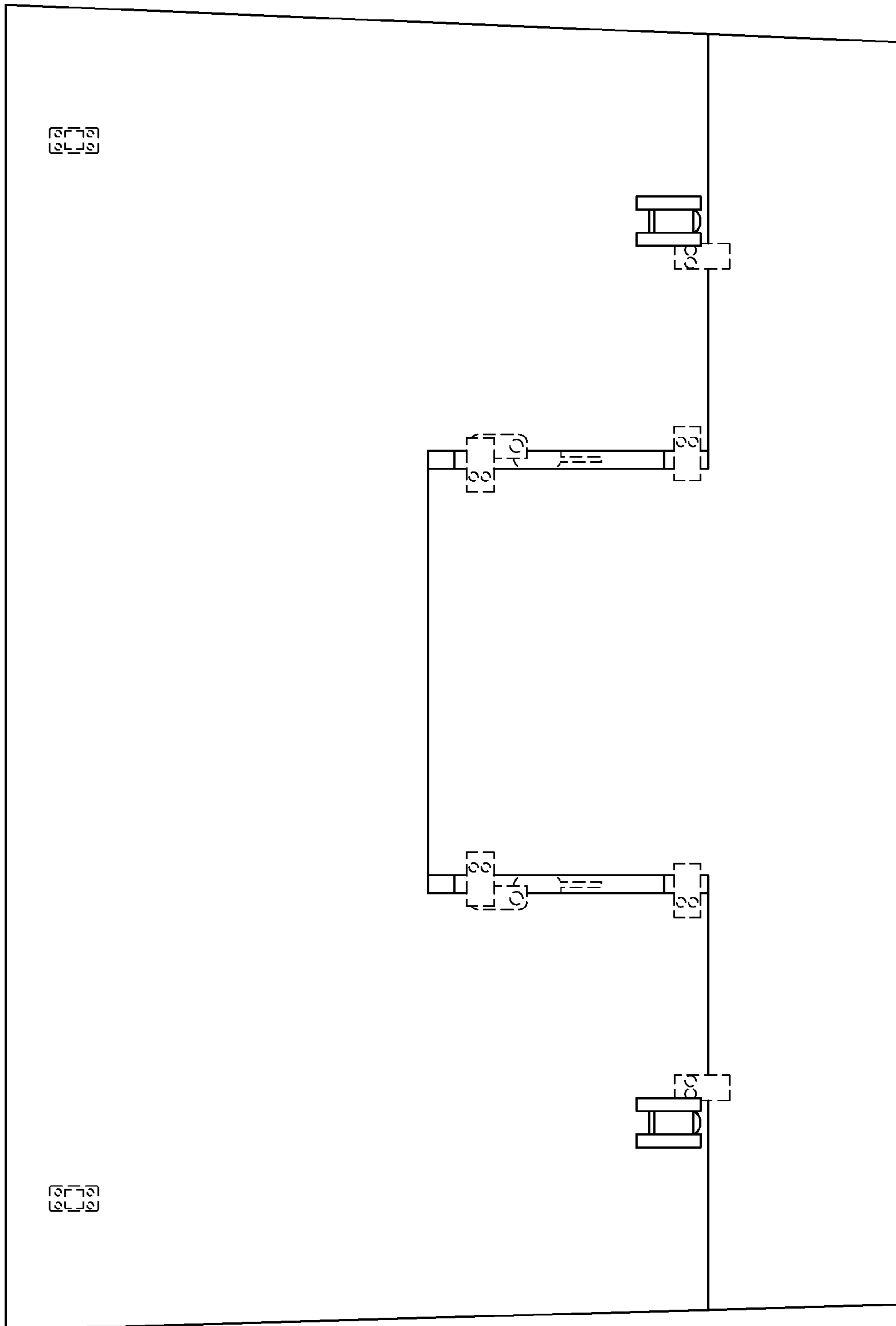




FIG. 9

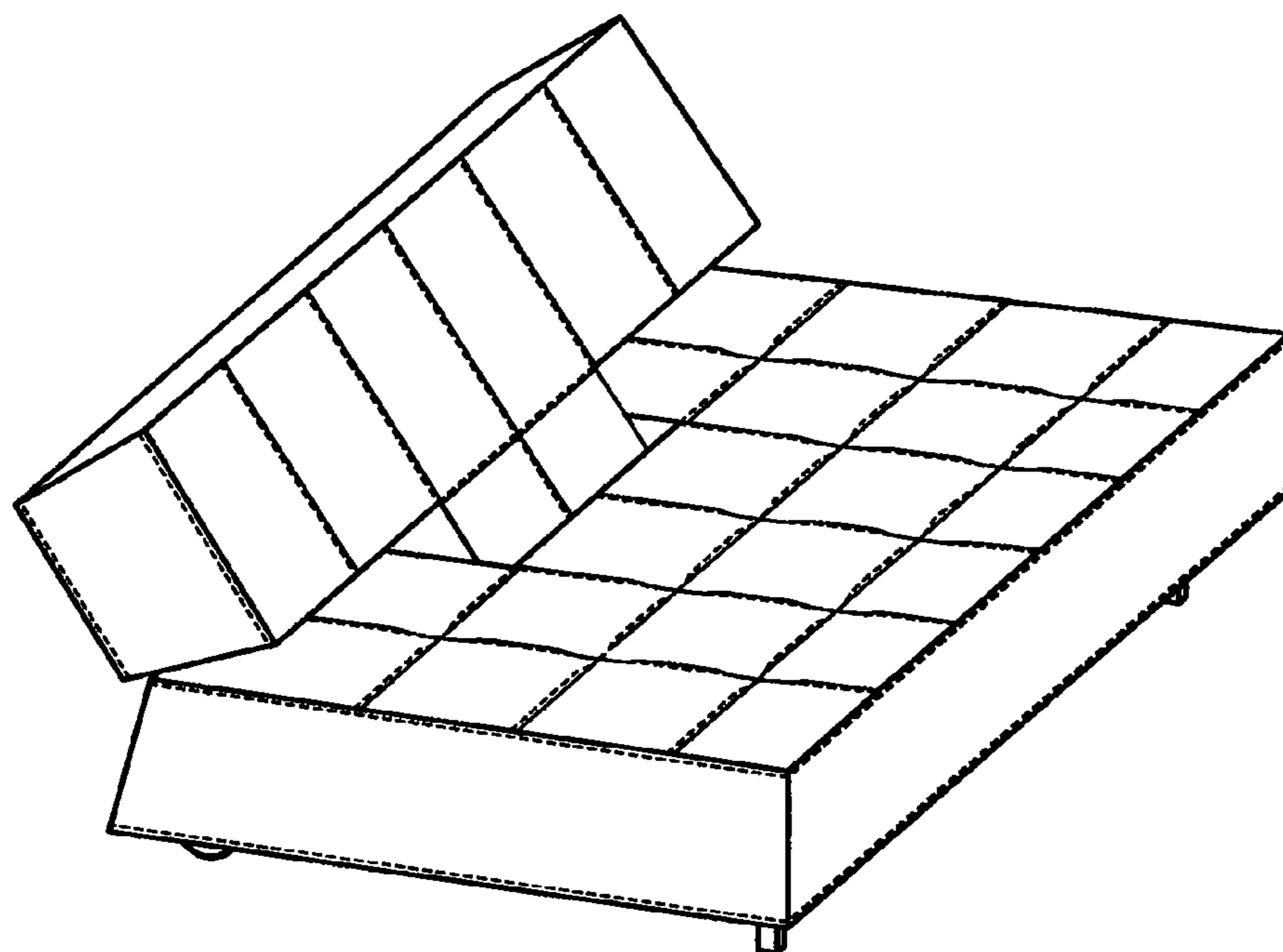


FIG. 10

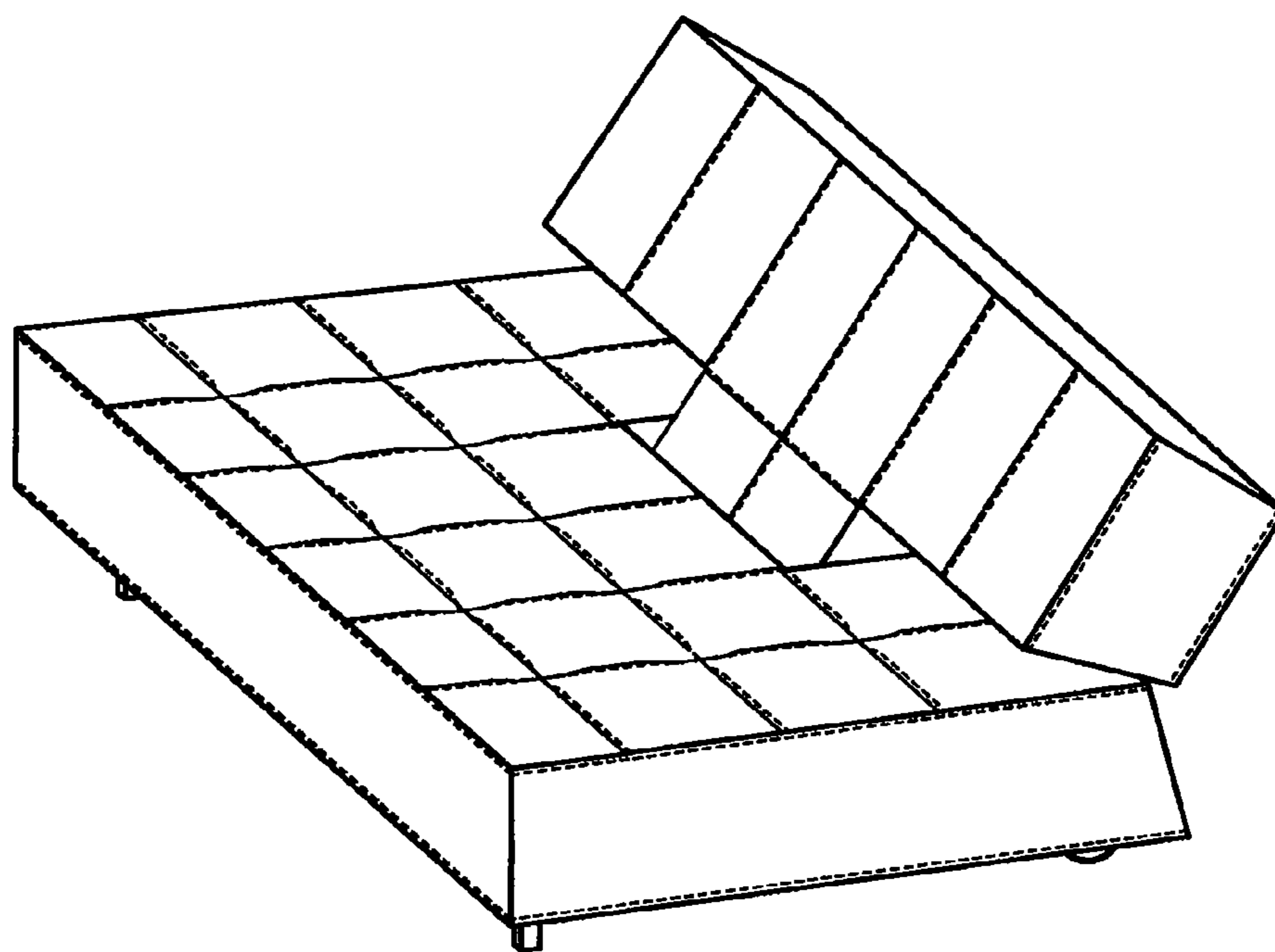


FIG. 11

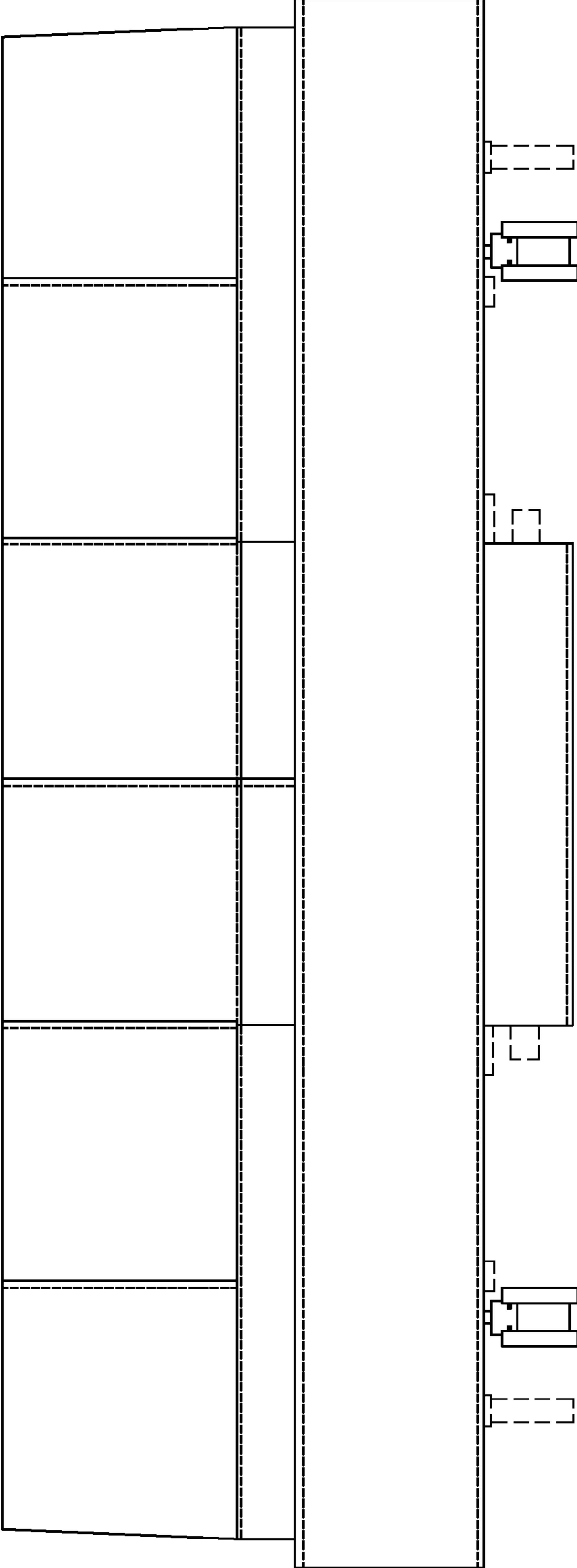


FIG. 12

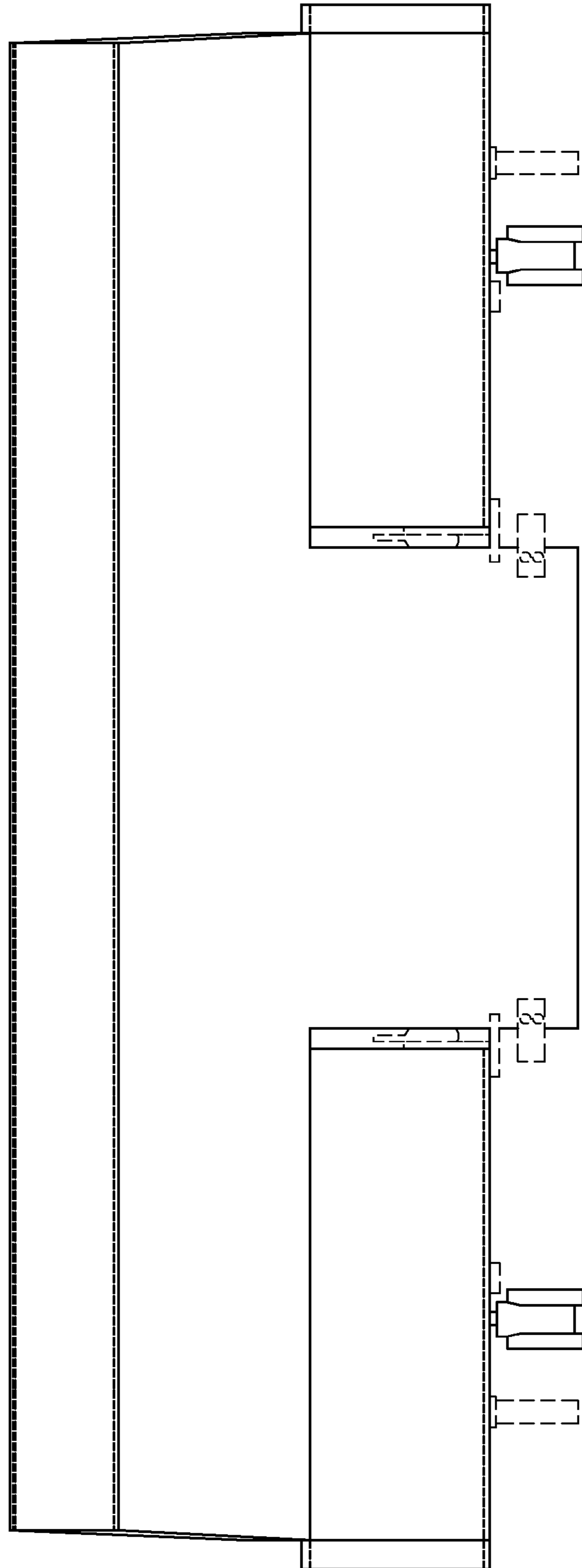


FIG. 13

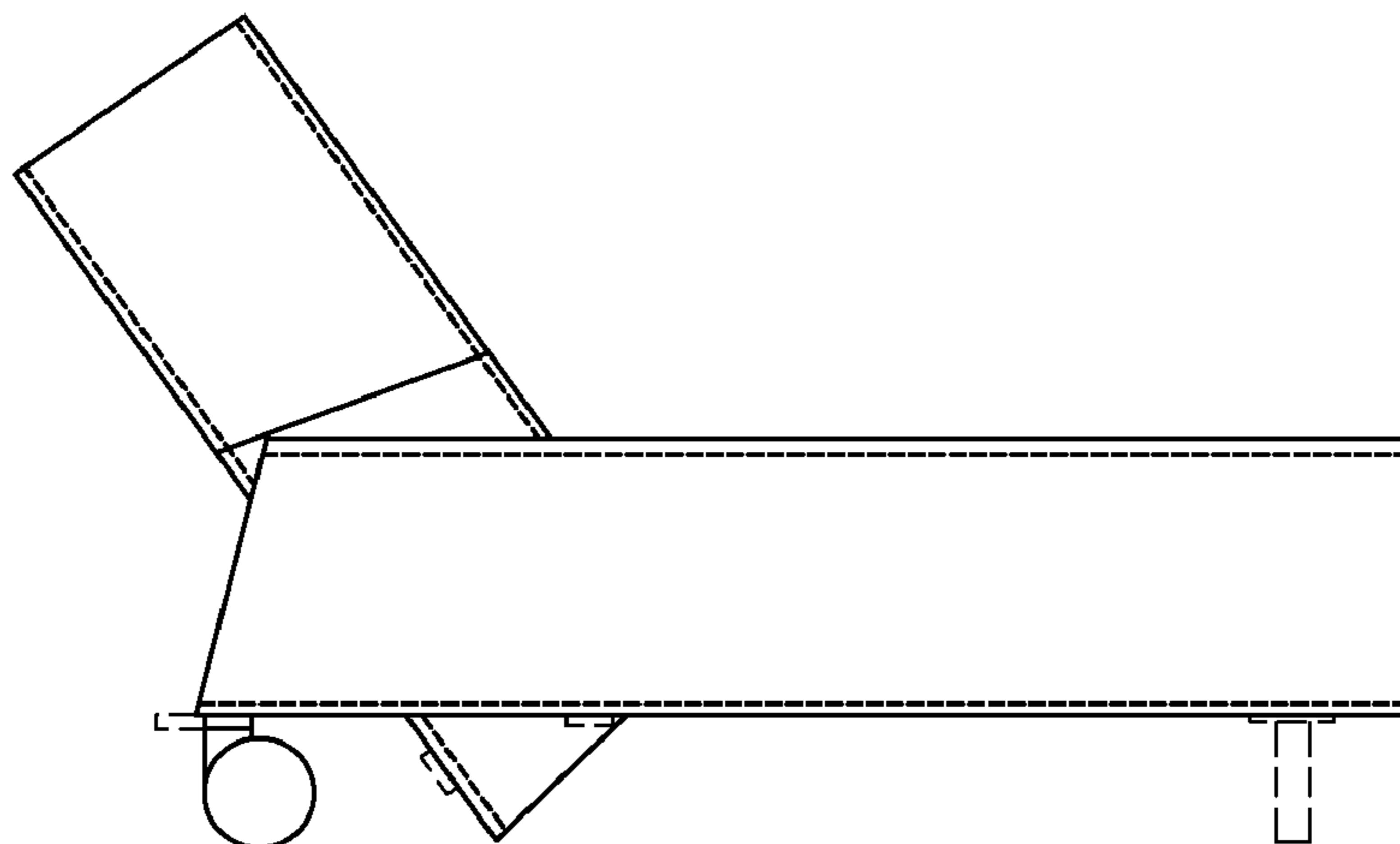


FIG. 14

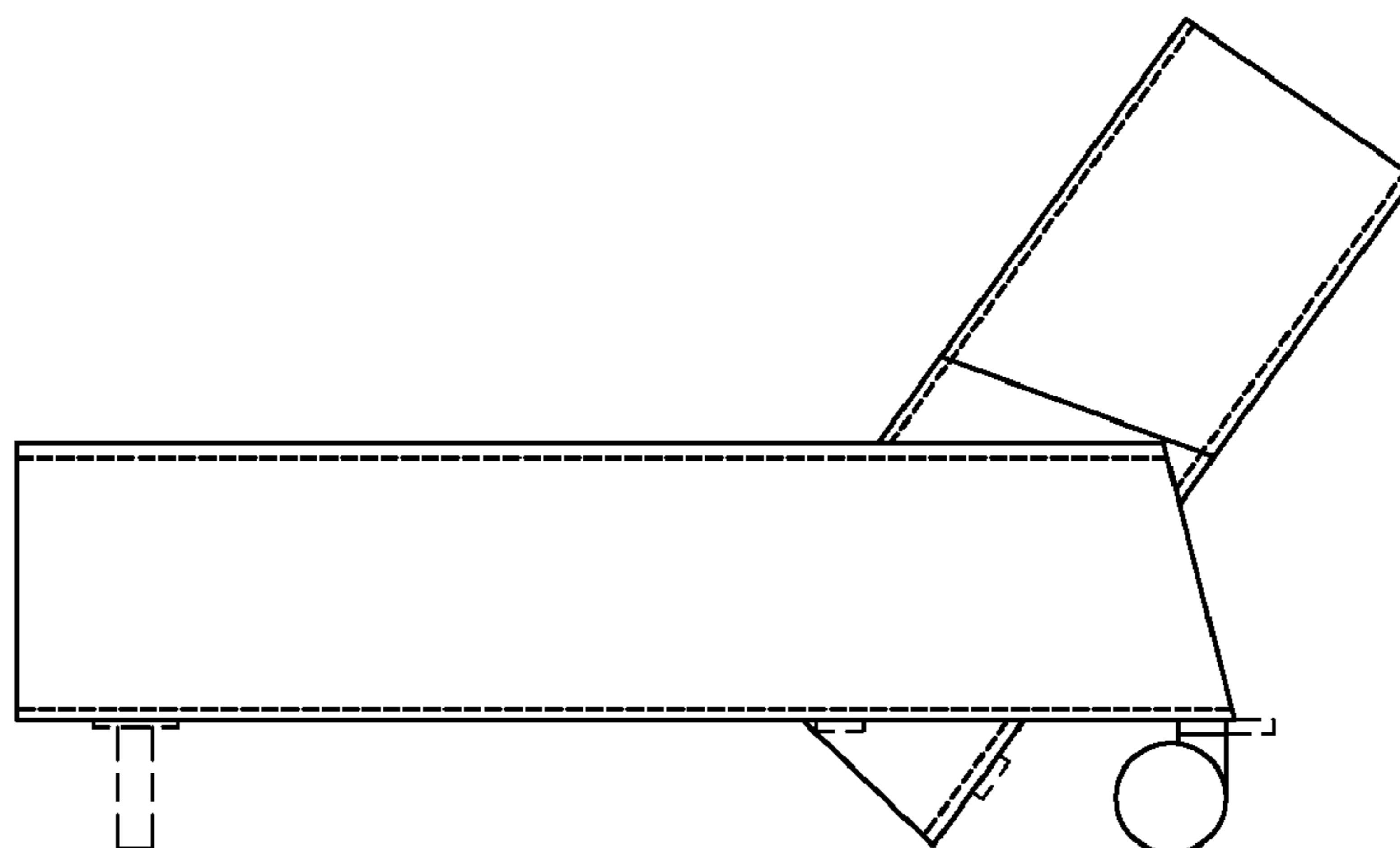


FIG. 15

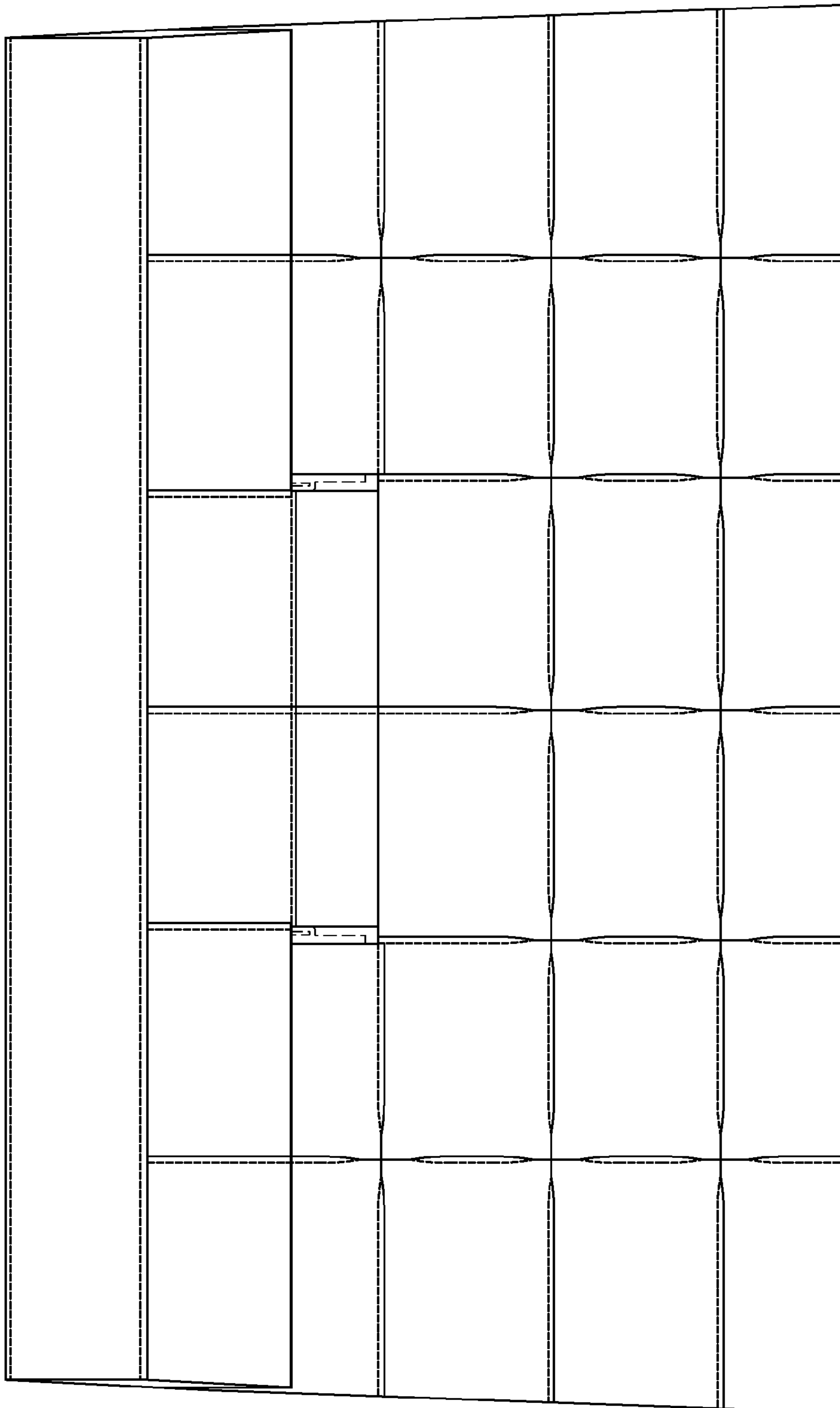


FIG. 16

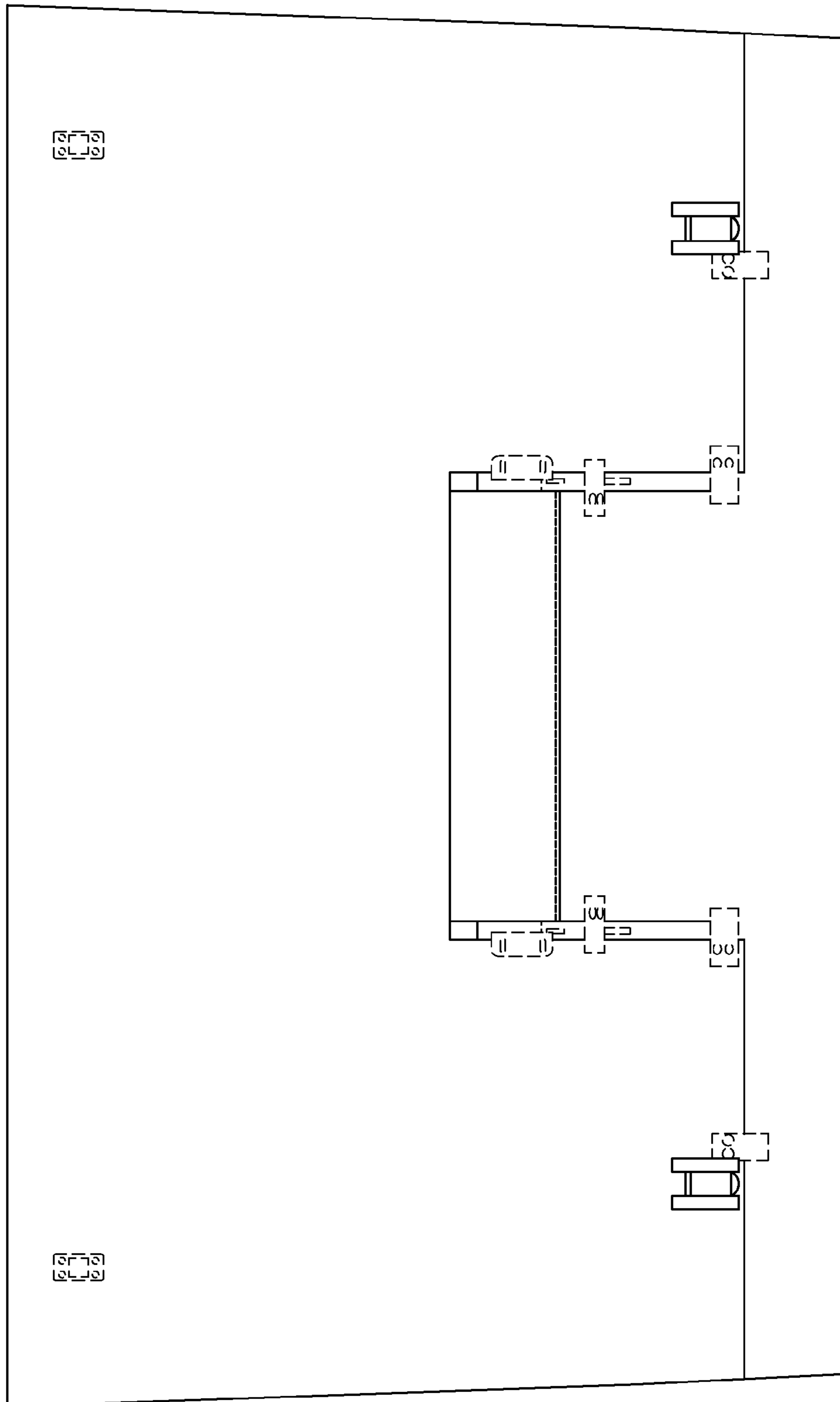


FIG. 17

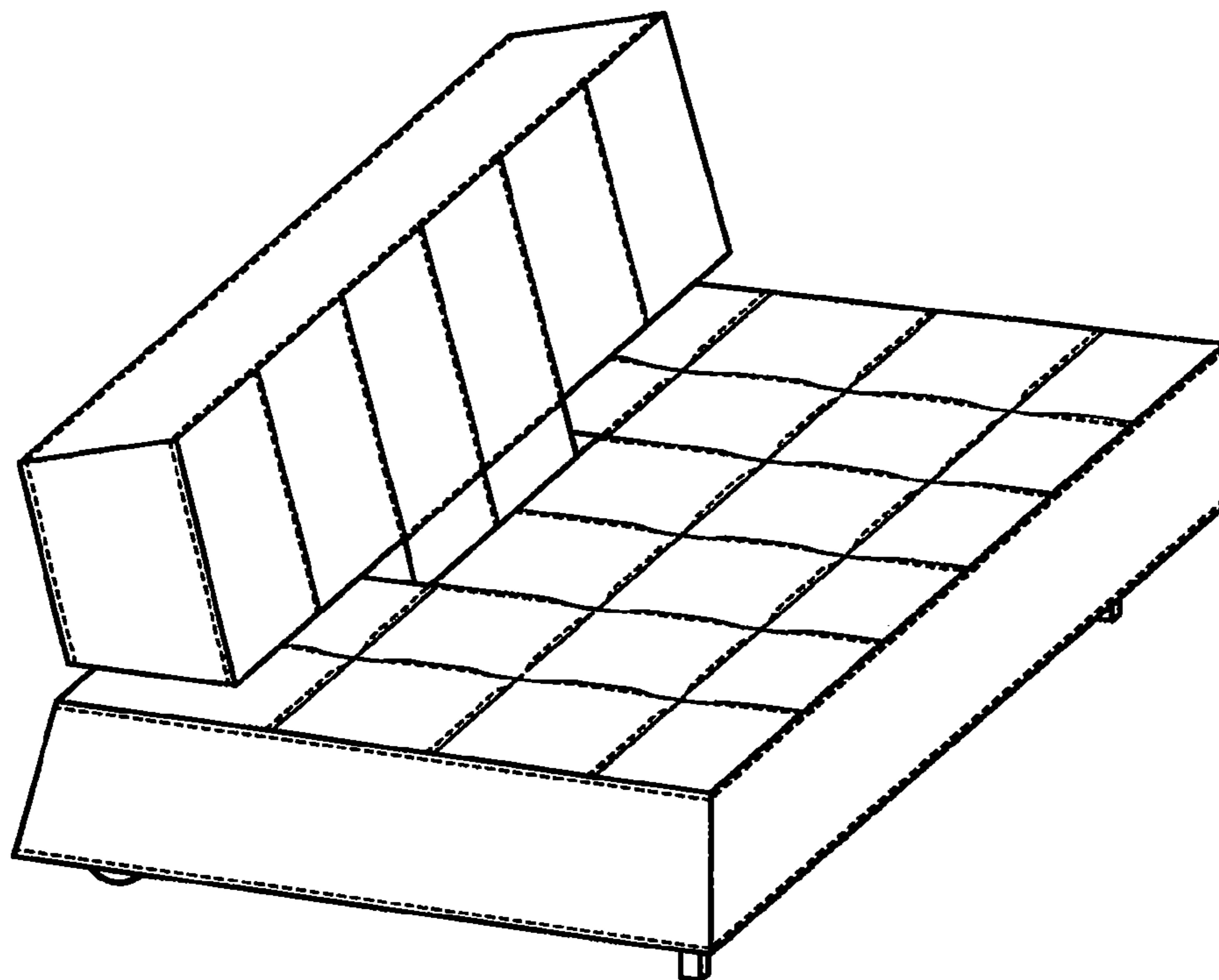


FIG. 18

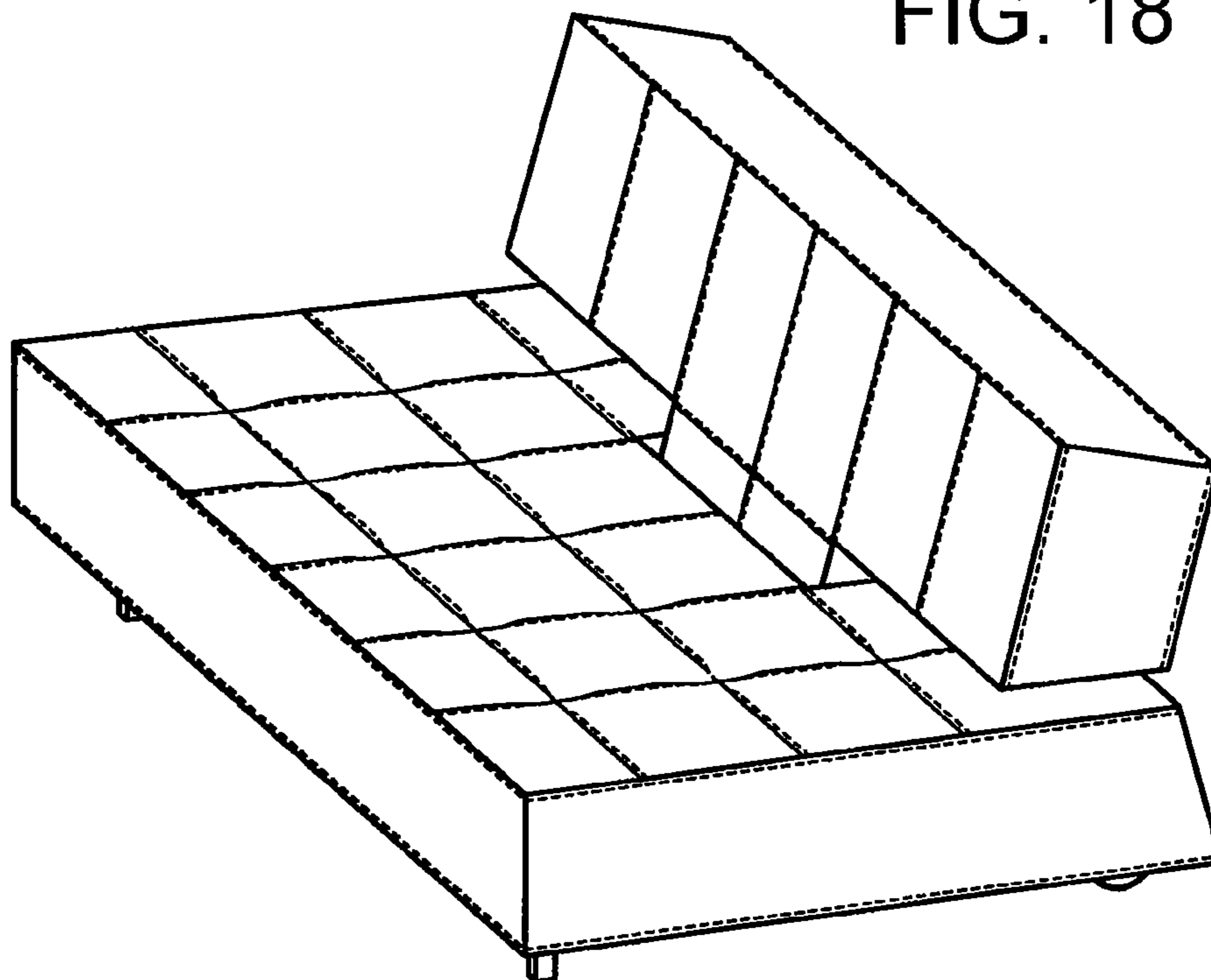


FIG. 19

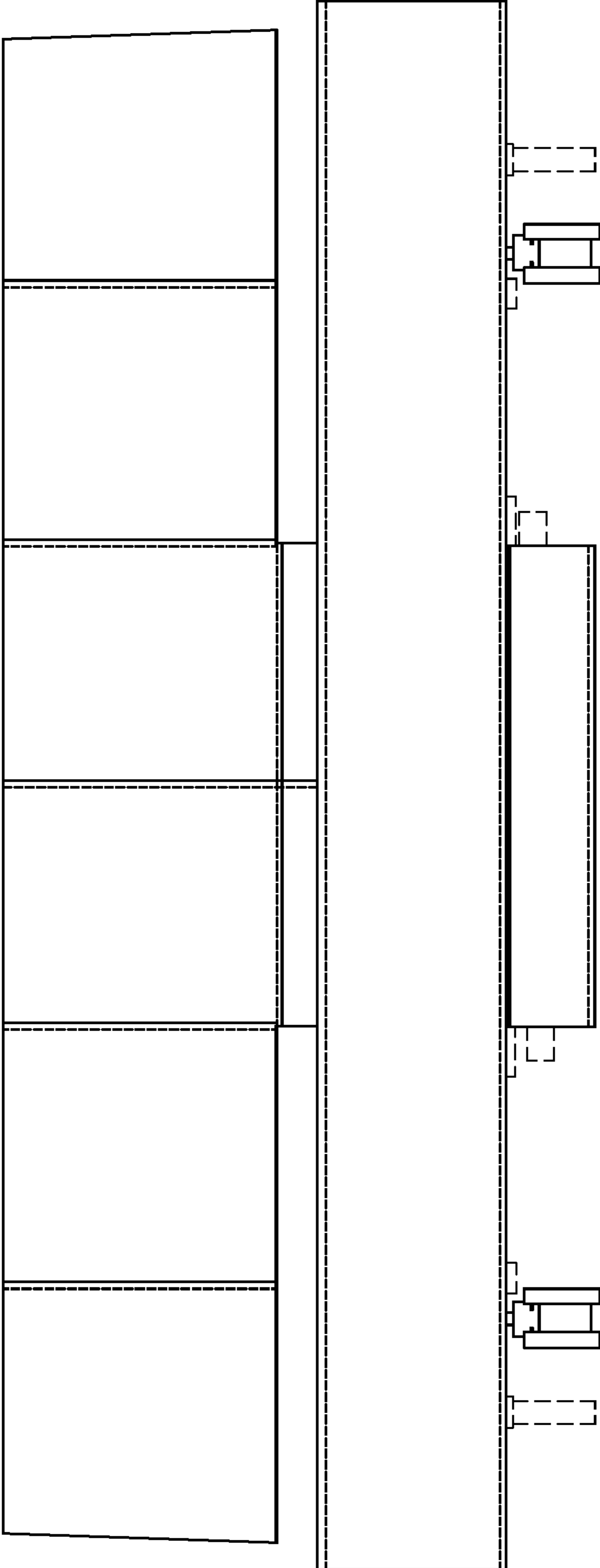




FIG. 20

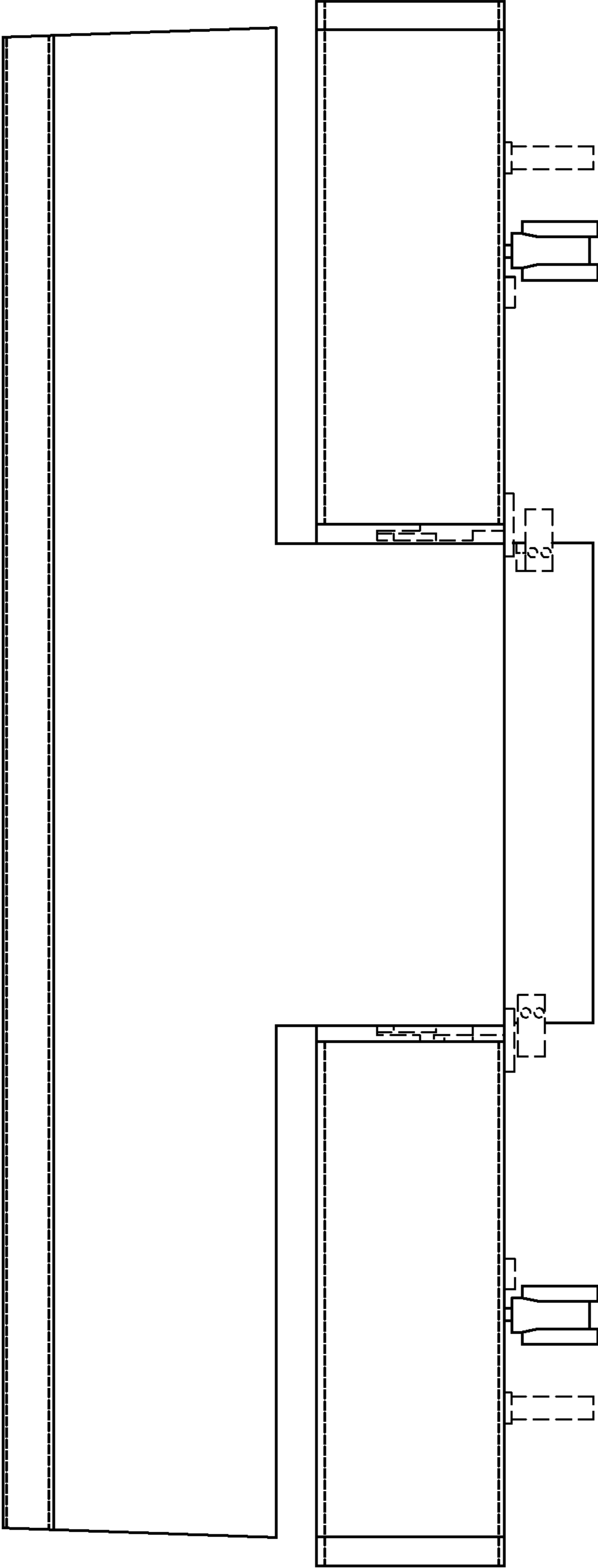


FIG. 21

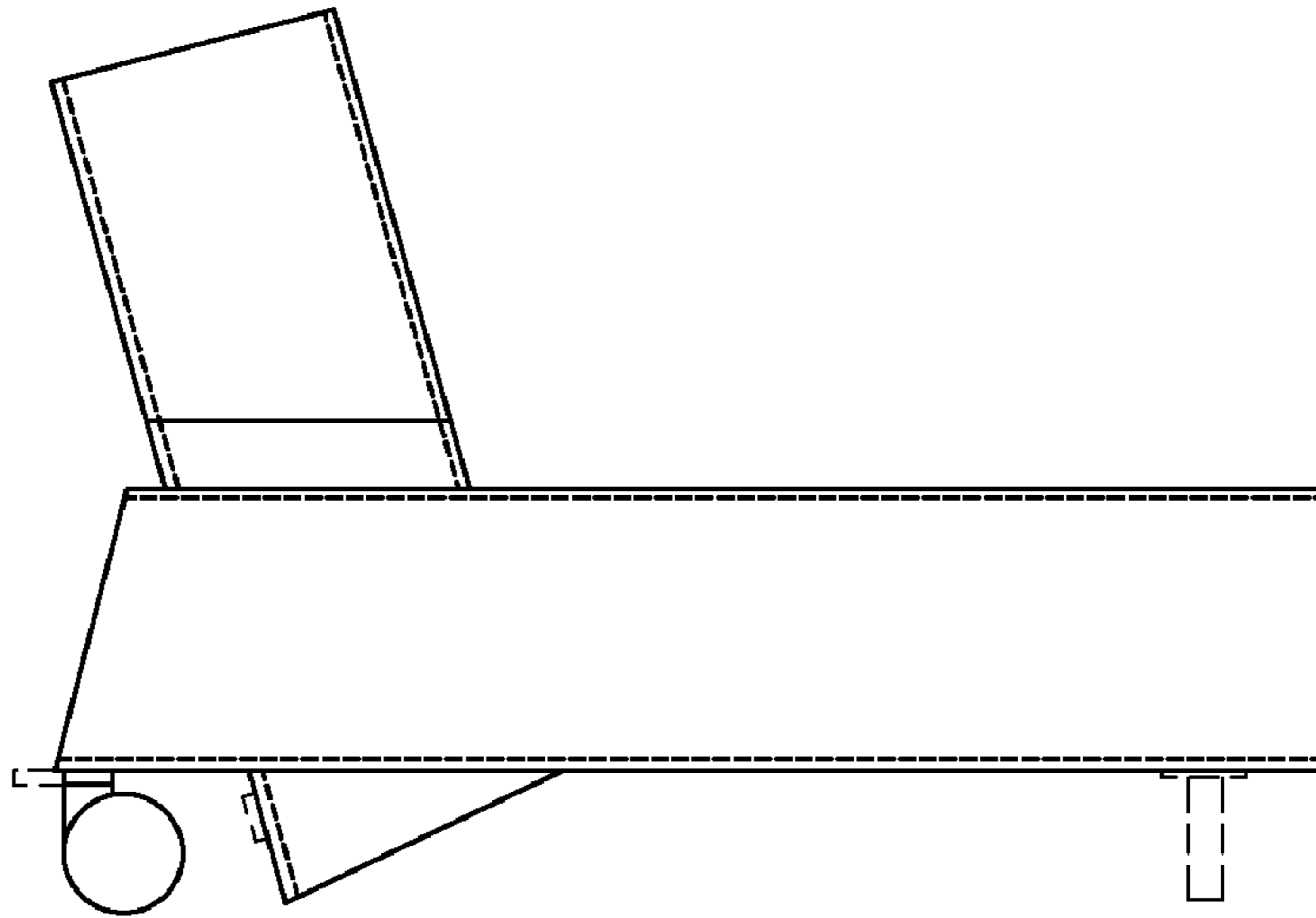


FIG. 22

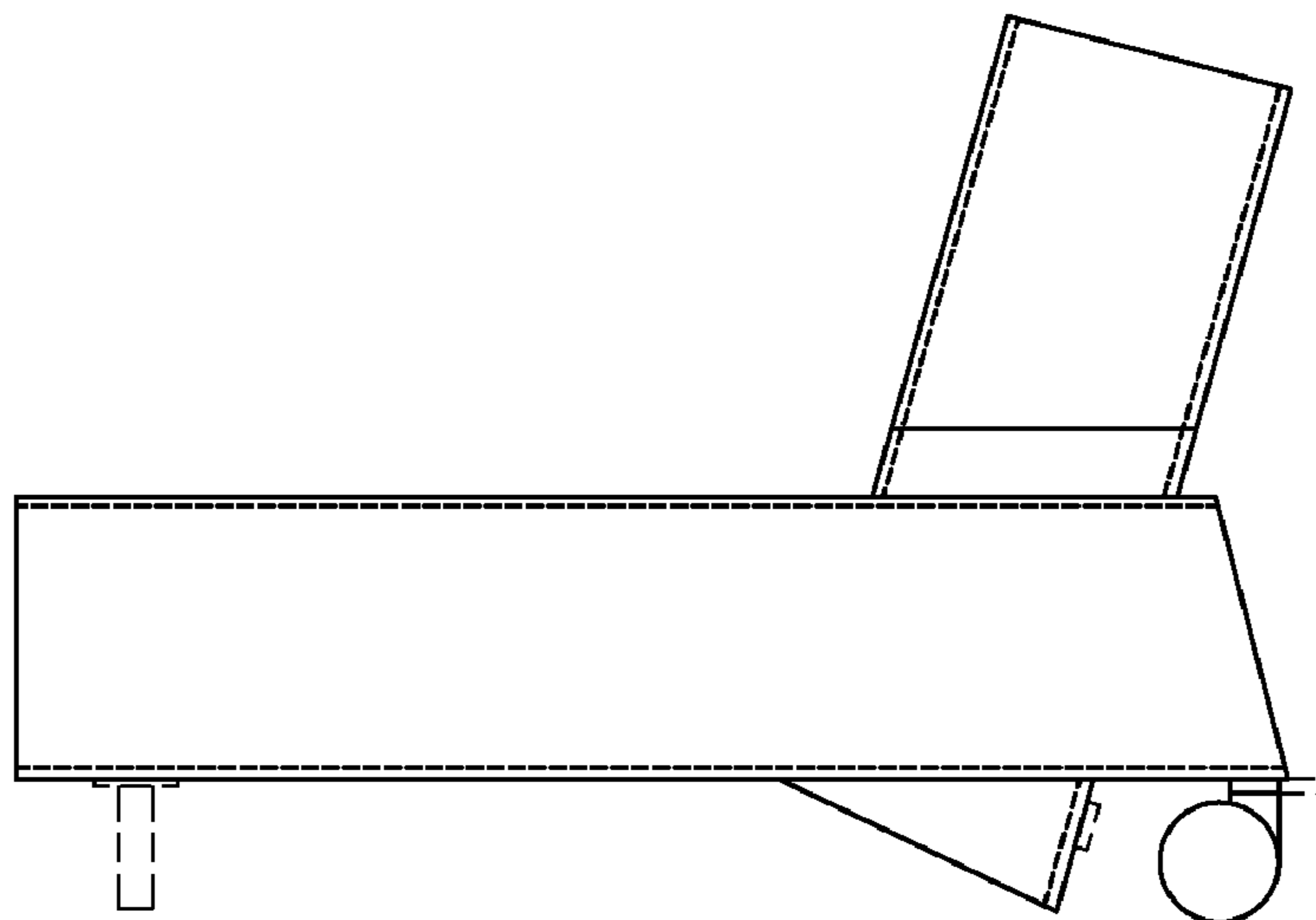


FIG. 23

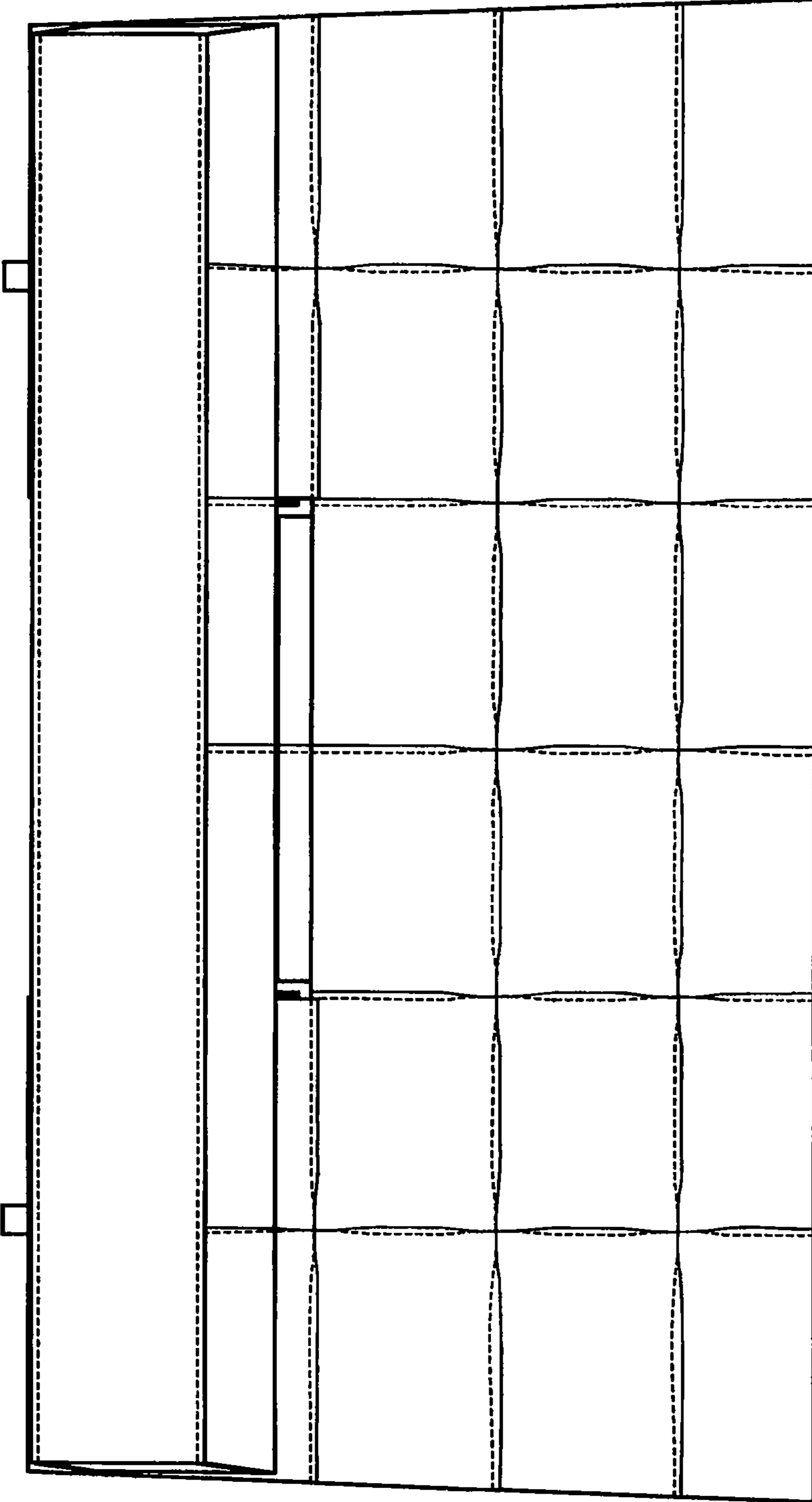
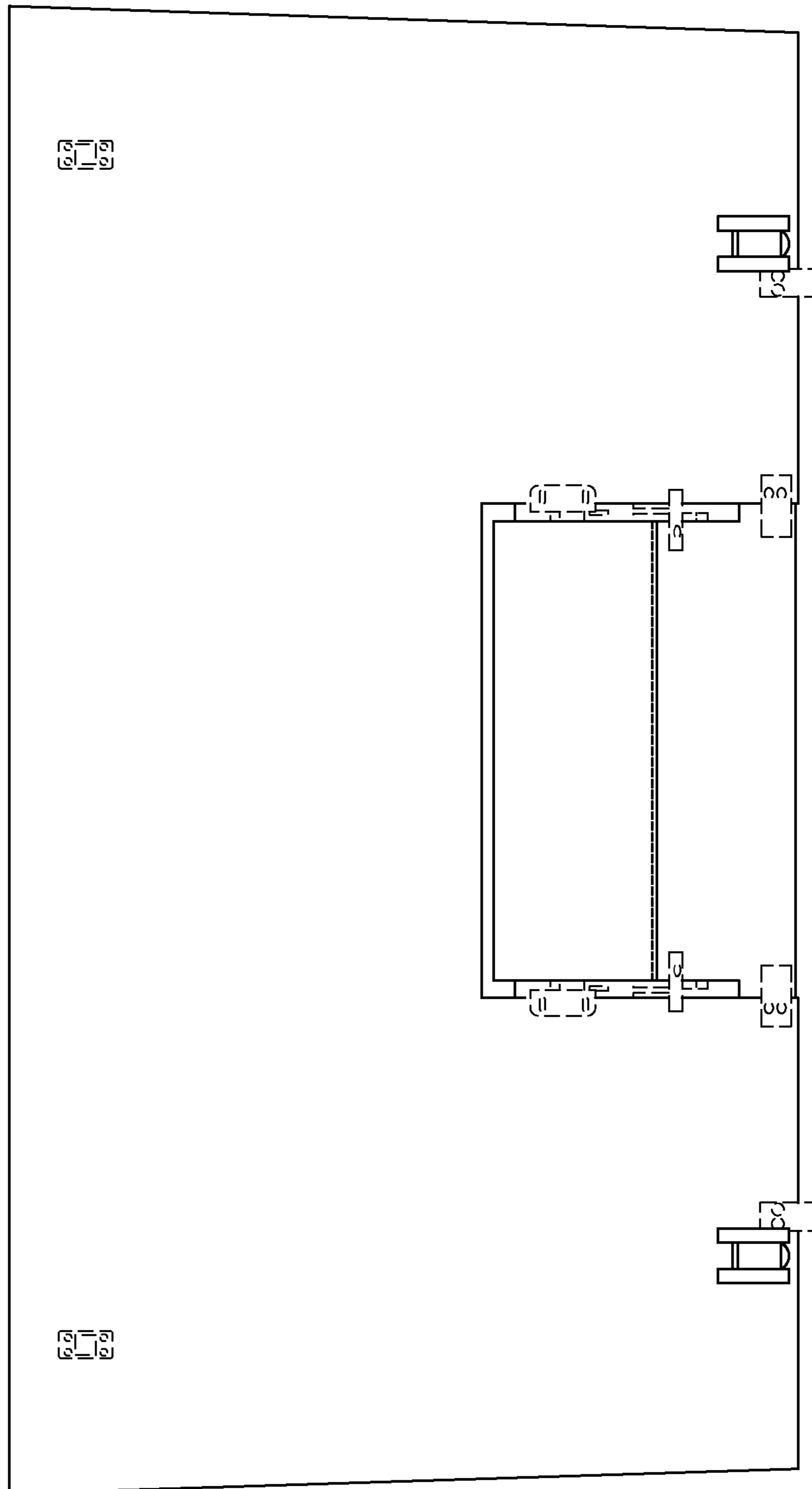


FIG. 24



UNITED STATES PATENT AND TRADEMARK OFFICE  
**CERTIFICATE OF CORRECTION**

PATENT NO. : Des. 592,416 S  
APPLICATION NO. : 29/324651  
DATED : May 19, 2009  
INVENTOR(S) : Per Weiss

Page 1 of 1

It is certified that error appears in the above-identified patent and that said Letters Patent is hereby corrected as shown below:

On the Title page, please add the following paragraph:

“(30) Foreign Application Priority Data

June 26, 2008 (CN) 200830141326.1”

Signed and Sealed this

Twenty-fifth Day of August, 2009



David J. Kappos  
*Director of the United States Patent and Trademark Office*