

US00D592412S

(12) **United States Design Patent**
Suge et al.

(10) **Patent No.:** **US D592,412 S**
(45) **Date of Patent:** **** May 19, 2009**

(54) **AIRCRAFT SEAT**

(75) Inventors: **Yasutaka Suge**, Tokyo (JP); **Yuichi Akutsu**, Tokyo (JP); **Manabu Matsumoto**, Tokyo (JP); **Kosuke Wakao**, Tokyo (JP)

(73) Assignee: **Japan Airlines International Co., Ltd.**, Tokyo (JP)

(**) Term: **14 Years**

(21) Appl. No.: **29/309,602**

(22) Filed: **Sep. 9, 2008**

(30) **Foreign Application Priority Data**

Mar. 19, 2008 (JP) D2008-006841

(51) **LOC (9) Cl.** **06-01**

(52) **U.S. Cl.** **D6/356**

(58) **Field of Classification Search** D6/334-336, D6/357, 360, 361, 367, 368, 377, 381, 500-502; 297/170, 172, 174, 174 R, 232, 244, 342, 297/354.1, 361.1; D12/195, 345; 244/118.5, 244/118.6, 122 R

See application file for complete search history.

(56) **References Cited**

U.S. PATENT DOCUMENTS

D269,652 S * 7/1983 McKean et al. D6/356
D273,157 S * 3/1984 Staub D6/356

D402,125 S * 12/1998 Dryburgh et al. D6/356
D405,275 S * 2/1999 Dryburgh et al. D6/356
D409,010 S * 5/1999 Papaioannou et al. D6/356
D411,922 S * 7/1999 Granados D6/356
D443,990 S * 6/2001 Beroth D6/356
D468,917 S * 1/2003 Veneruso D6/356
D487,981 S * 4/2004 Ludeke et al. D6/356
D493,294 S * 7/2004 Newson D6/356
D577,503 S * 9/2008 Priestman D6/356
2004/0004382 A1 * 1/2004 Dowty 297/354.1
2007/0045468 A1 * 3/2007 Casey 244/122 R

* cited by examiner

Primary Examiner—Mimosa De

(74) *Attorney, Agent, or Firm*—Rader, Fishman & Grauer, PLLC

(57) **CLAIM**

The ornamental design for an aircraft seat, as shown.

DESCRIPTION

FIG. 1 is a perspective view of an aircraft seat showing our new design;

FIG. 2 is a front elevational view thereof;

FIG. 3 is a rear elevational view thereof;

FIG. 4 is a left side elevational view thereof;

FIG. 5 is a right side elevational view thereof;

FIG. 6 is a top plan view thereof; and,

FIG. 7 is a bottom plan view thereof.

1 Claim, 7 Drawing Sheets

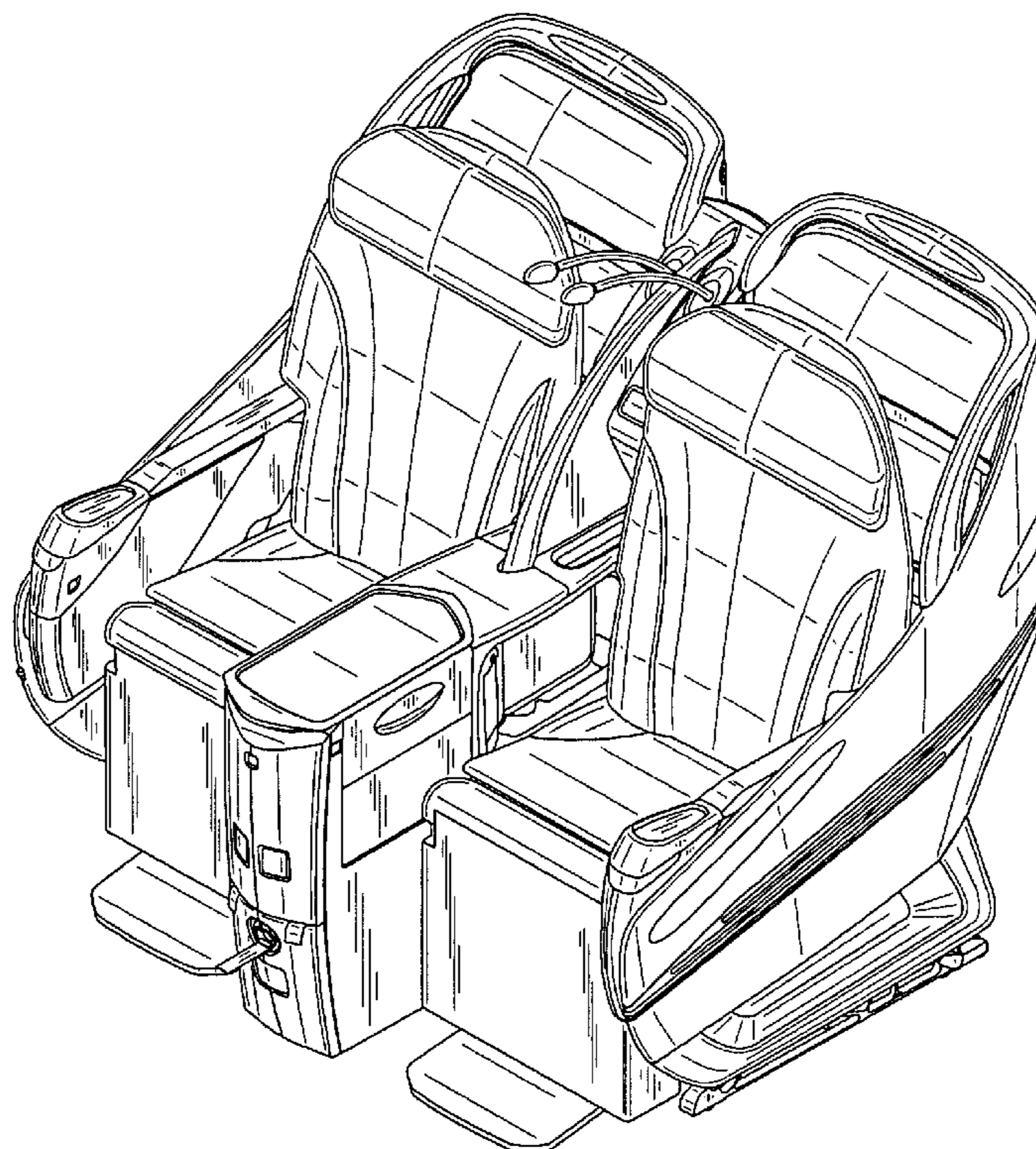
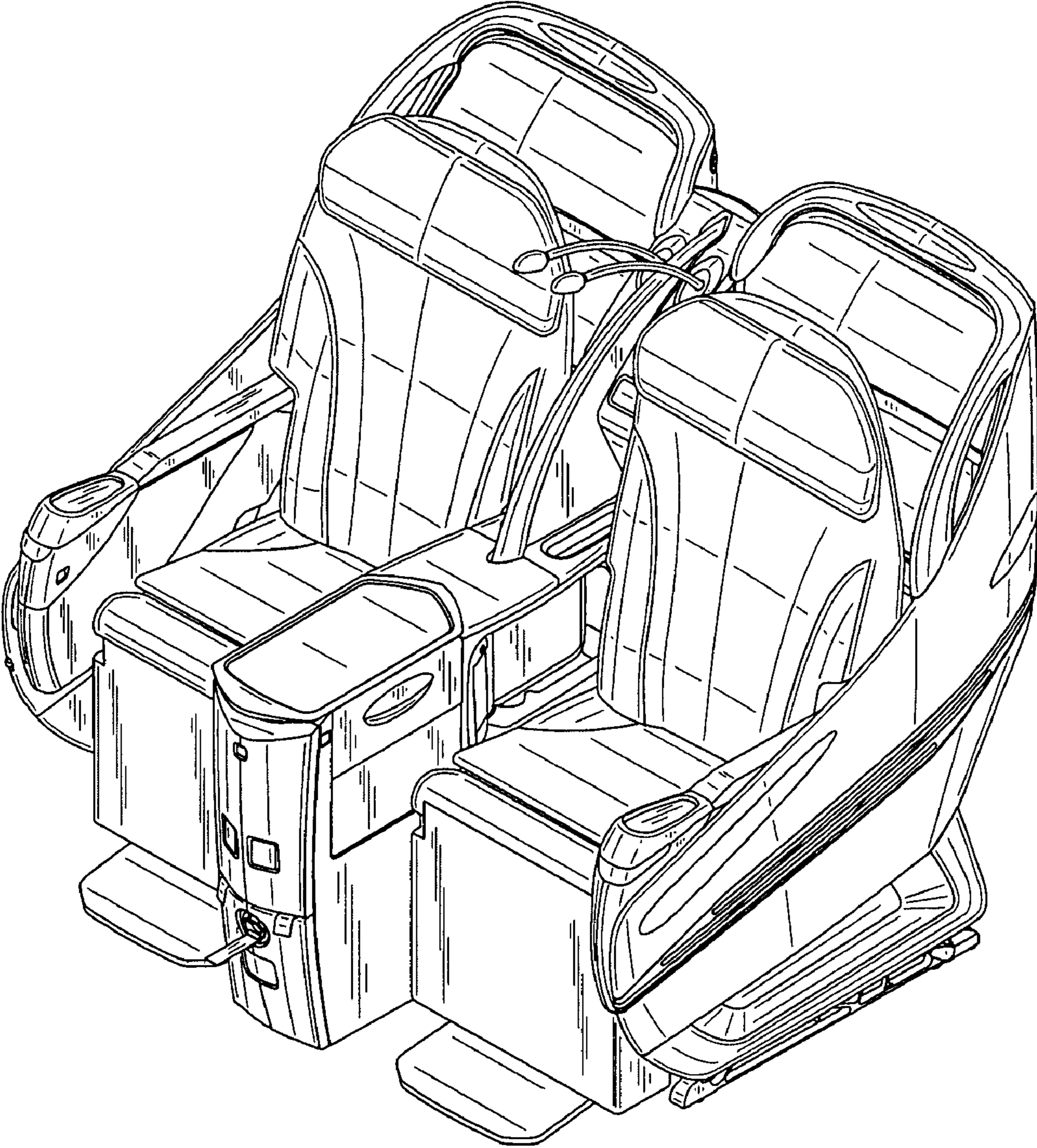


FIG.1



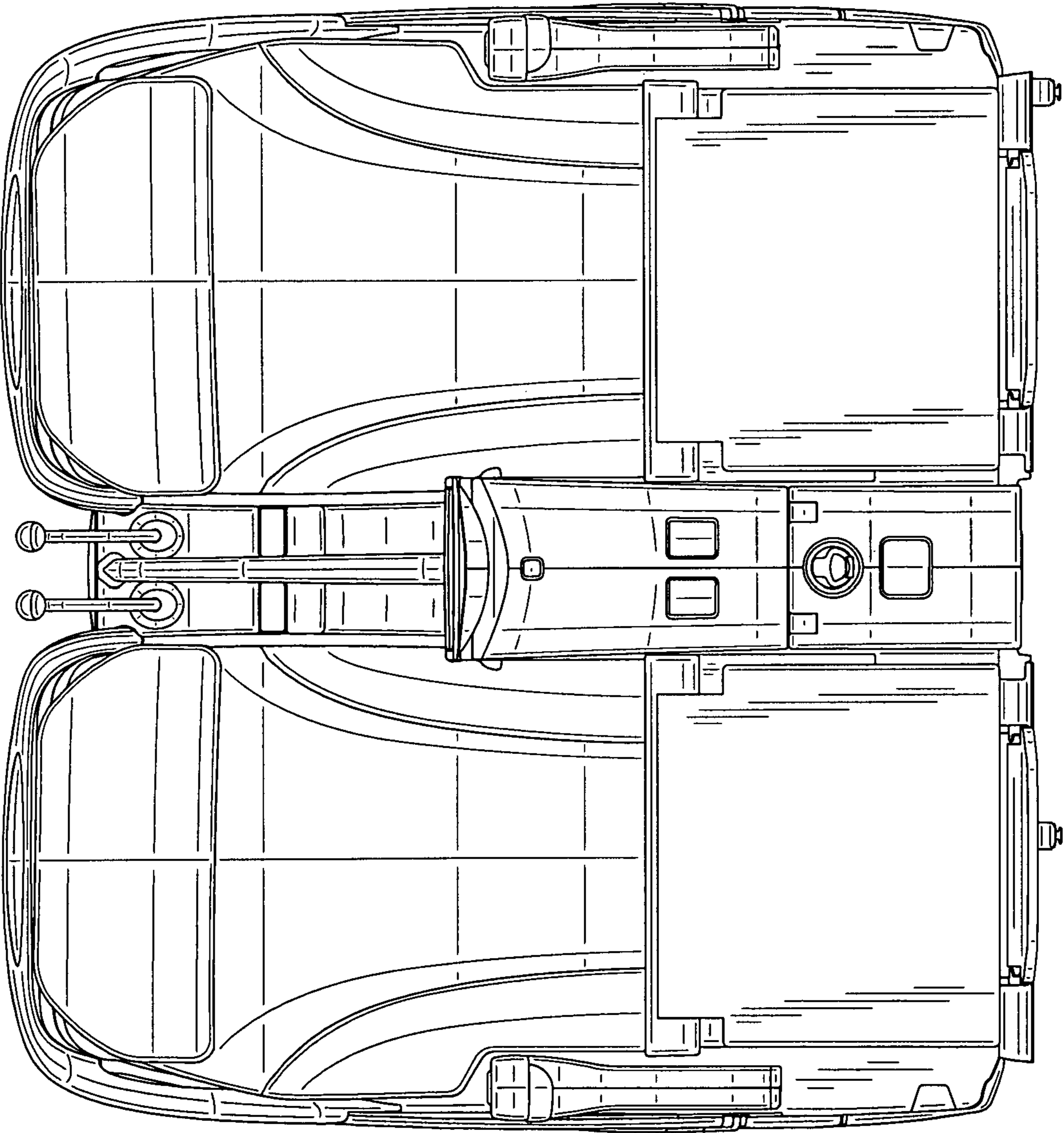


FIG.2

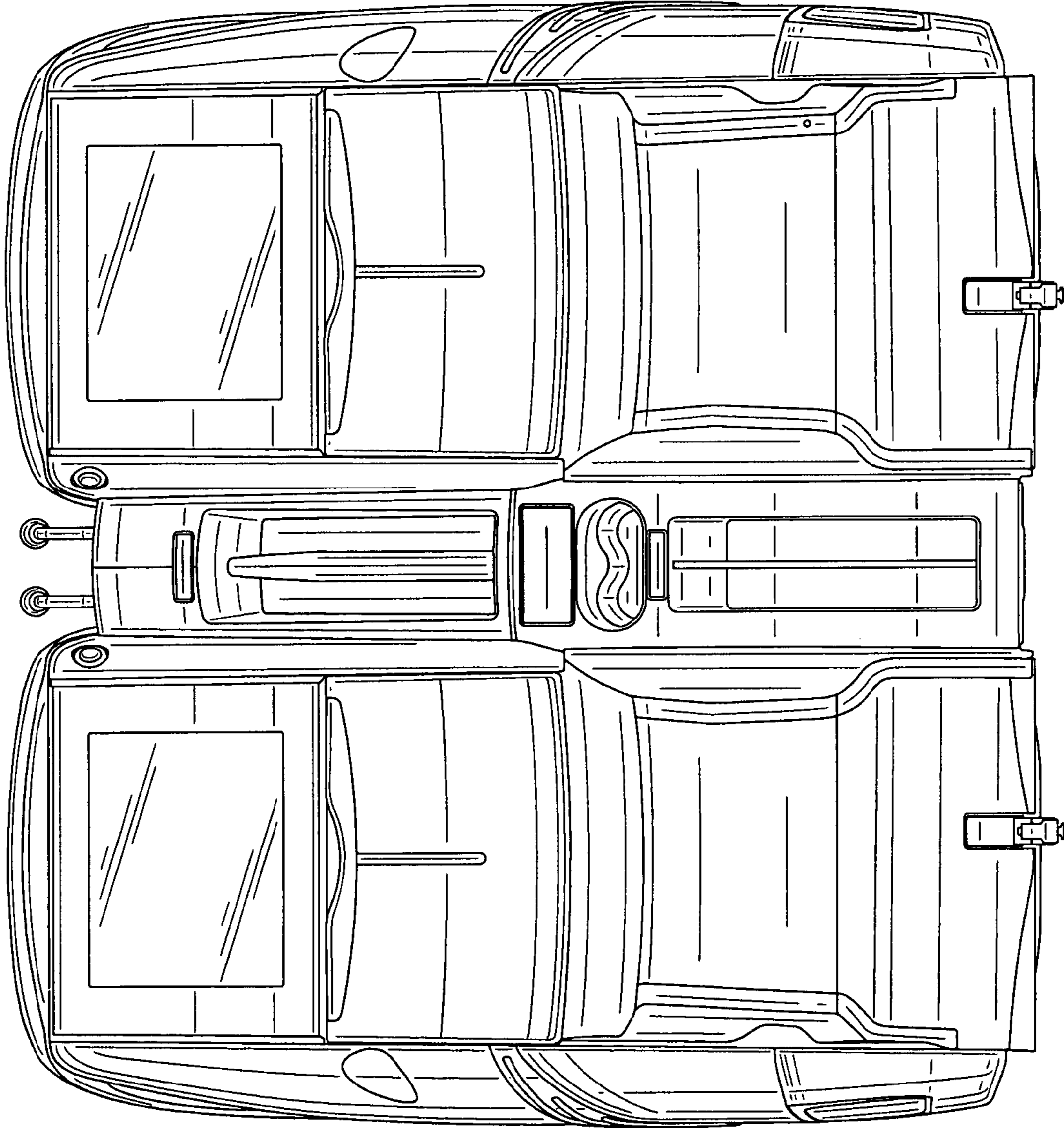


FIG.3

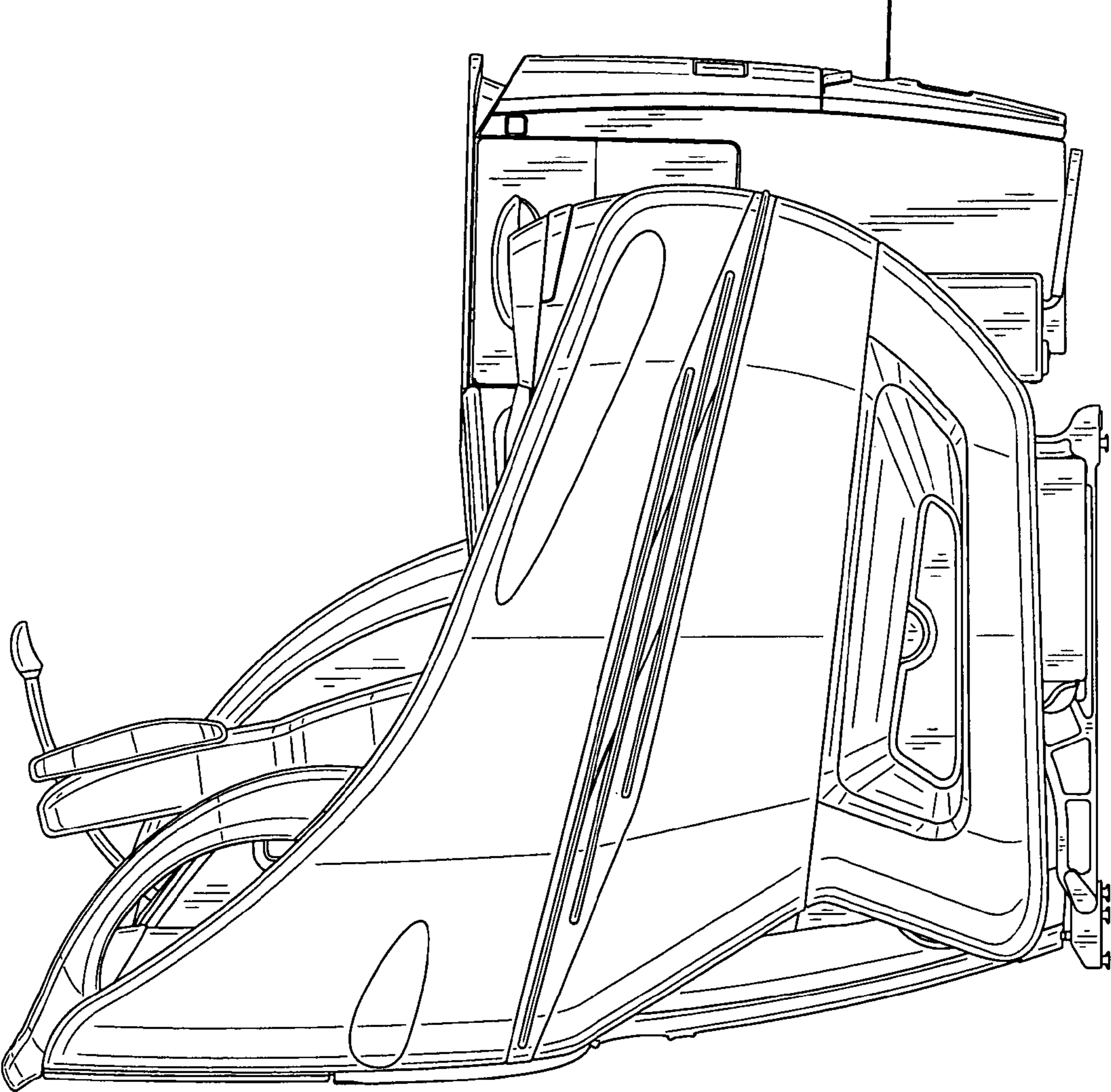


FIG.4

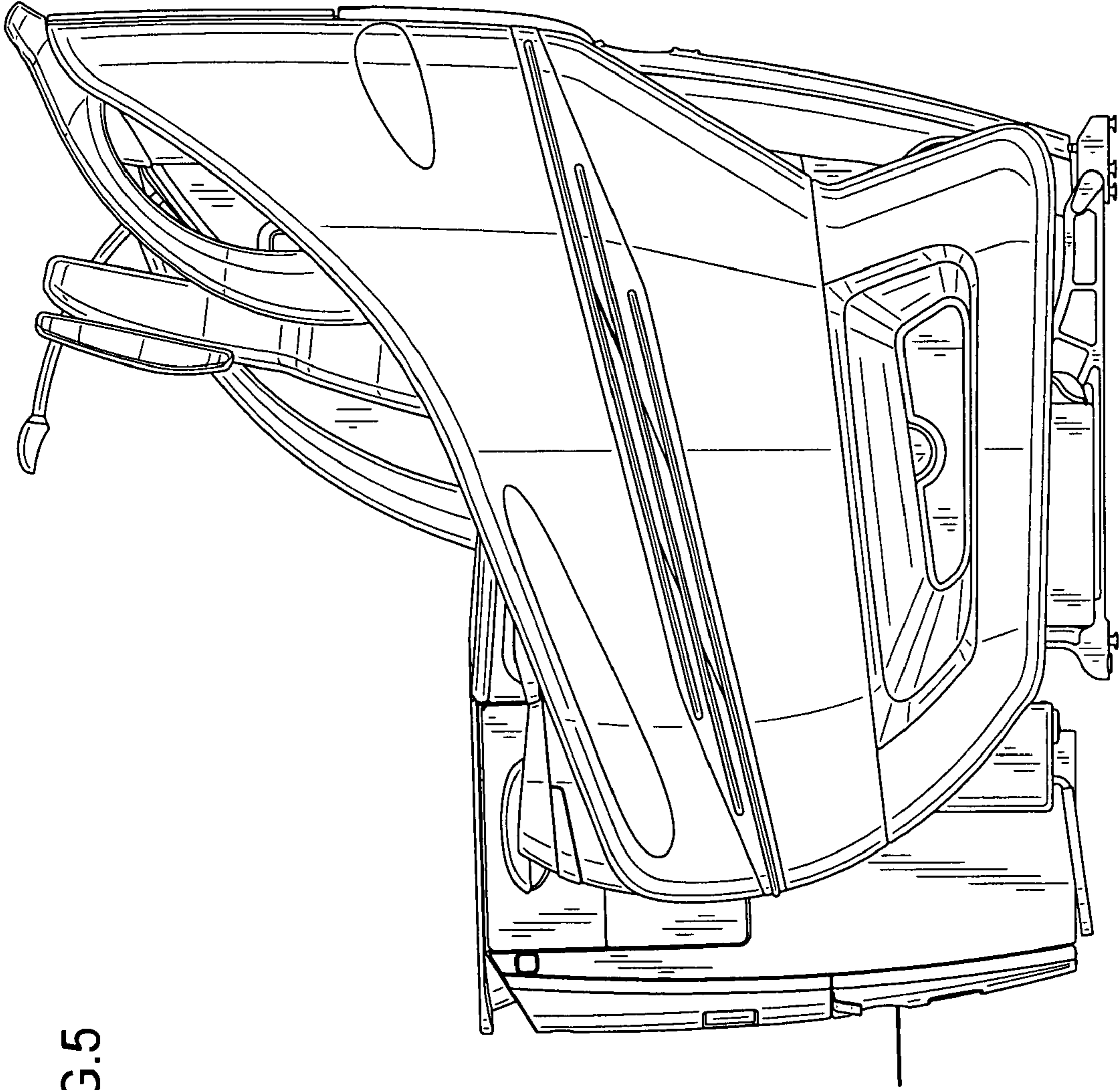


FIG.5

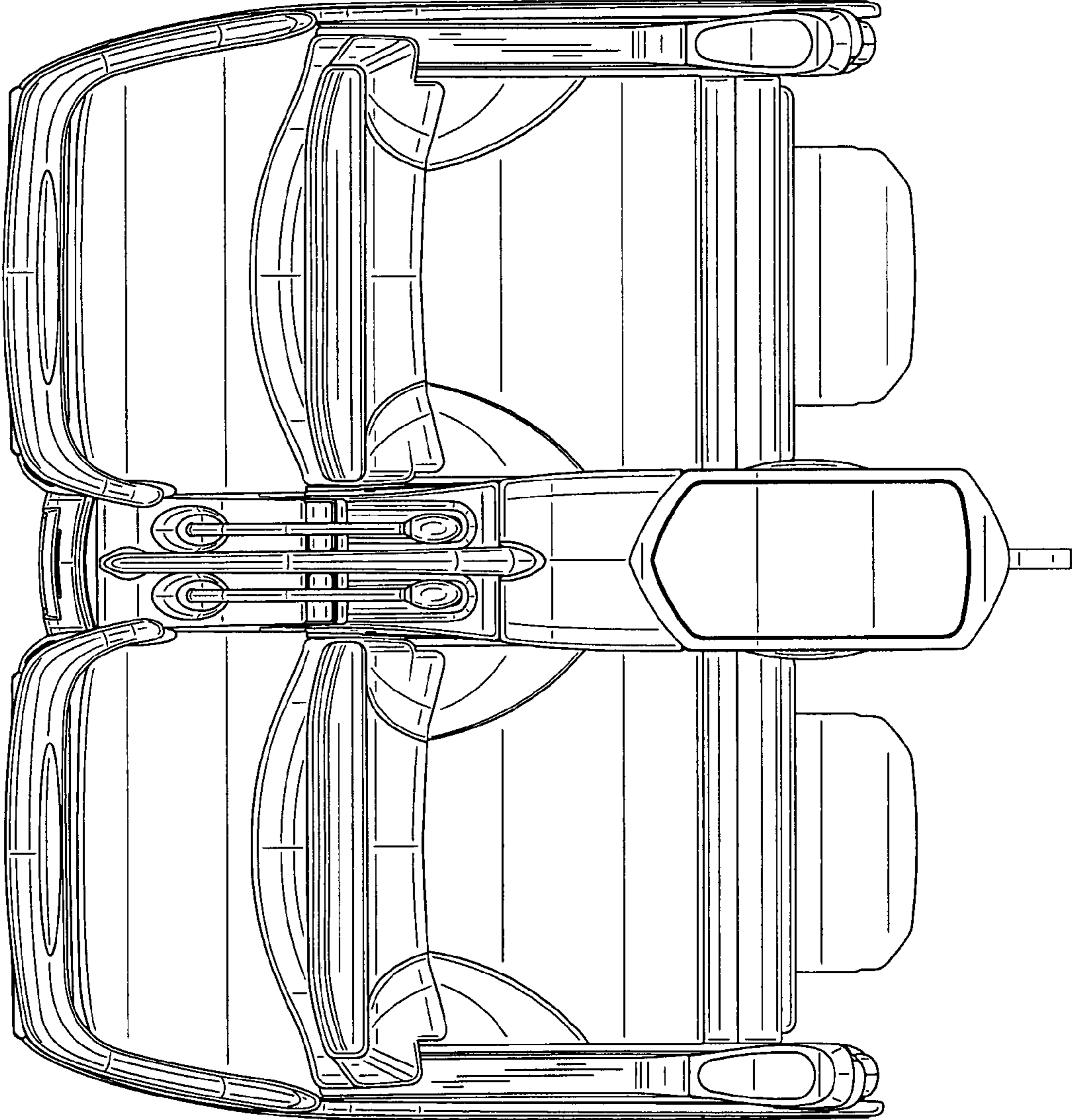


FIG.6

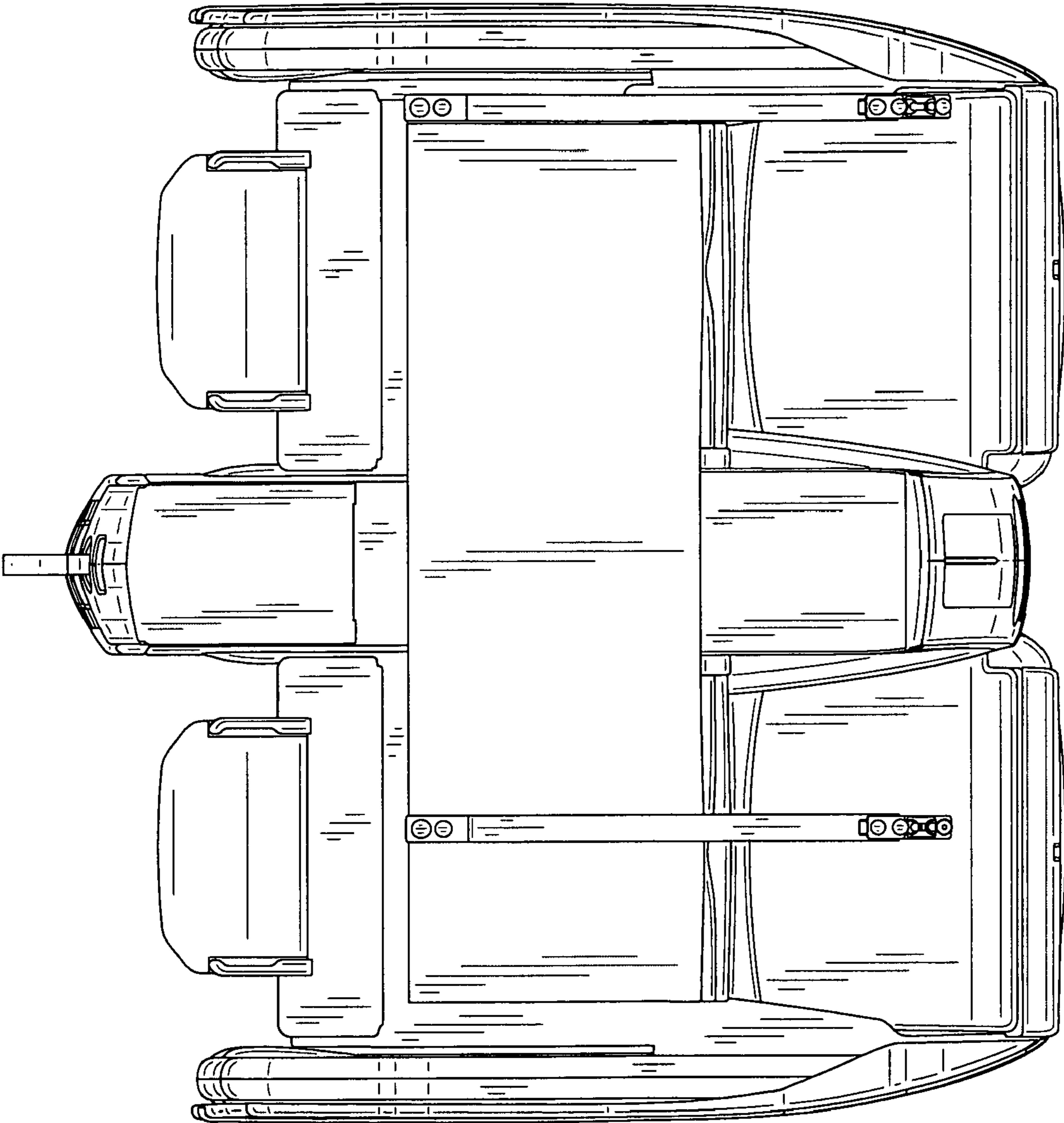


FIG.7