

US00D592411S

(12) **United States Design Patent**
Moffat

(10) **Patent No.:** **US D592,411 S**

(45) **Date of Patent:** **** May 19, 2009**

(54) **KNEELING PAD**

(76) Inventor: **Gary Moffat**, 18622 Hawksview Dr.,
Arlington, WA (US) 98223

(**) Term: **14 Years**

(21) Appl. No.: **29/308,271**

(22) Filed: **Jun. 5, 2008**

(51) **LOC (9) Cl.** **06-01**

(52) **U.S. Cl.** **D6/330**

(58) **Field of Classification Search** D6/330,
D6/335-338, 340, 349-355, 358, 359, 364,
D6/366, 376, 491, 495, 500-502; 297/16.1,
297/39, 46, 135, 140, 156, 158.3, 158.4,
297/175, 177, 187, 195.1, 195.11, 211, 245,
297/423.1, 423.16, 445.1, 461, 462

See application file for complete search history.

(56) **References Cited**

U.S. PATENT DOCUMENTS

830,103	A	9/1906	Rundell	
D114,303	S *	4/1939	Sullivan et al.	D6/330
2,225,696	A	12/1940	Holdzderber	
2,237,909	A	4/1941	Lund	
2,318,416	A	5/1943	Pierce	
2,829,705	A	4/1958	Godshalk et al.	
D201,796	S	8/1965	Stool	D15/8
D212,086	S *	8/1968	Gilman	D25/65
3,656,809	A	4/1972	Ronning	297/461
3,884,327	A	5/1975	Zigman	182/113
4,222,559	A	9/1980	Hammer	272/63
4,394,049	A	7/1983	Ward	297/439
4,491,193	A	1/1985	Moss	182/230
D287,074	S *	12/1986	Ritchie	D6/330
D311,282	S *	10/1990	Tooley	D6/349
4,998,298	A	3/1991	Mitchell	4/254
D317,833	S *	7/1991	Miller et al.	D6/330
6,883,177	B1	4/2005	Ouellette et al.	2/24

D510,485 S * 10/2005 Selby D6/330
7,014,266 B2 * 3/2006 Selby 297/423.16

* cited by examiner

Primary Examiner—Sandra Snapp

(74) *Attorney, Agent, or Firm*—Dean A. Craine

(57) **CLAIM**

The ornamental design for a kneeling pad, as shown and described.

DESCRIPTION

FIG. 1 is a perspective view of a single handle kneeling pad.

FIG. 2 is a right side elevational view of the invention shown in FIG. 1.

FIG. 3 is a top plan view of the invention shown in FIG. 1.

FIG. 4 is a bottom plan view of the invention shown in FIG. 1.

FIG. 5 is a left side elevational view of the invention shown in FIG. 1.

FIG. 6 is a rear plan view of the invention shown in FIG. 1.

FIG. 7 is a front plan view of the invention shown in FIG. 1.

FIG. 8 is a perspective view of a two handle embodiment of the kneeling pad.

FIG. 9 is a right side elevational view of the invention shown in FIG. 8.

FIG. 10 is a top plan view of the invention shown in FIG. 8.

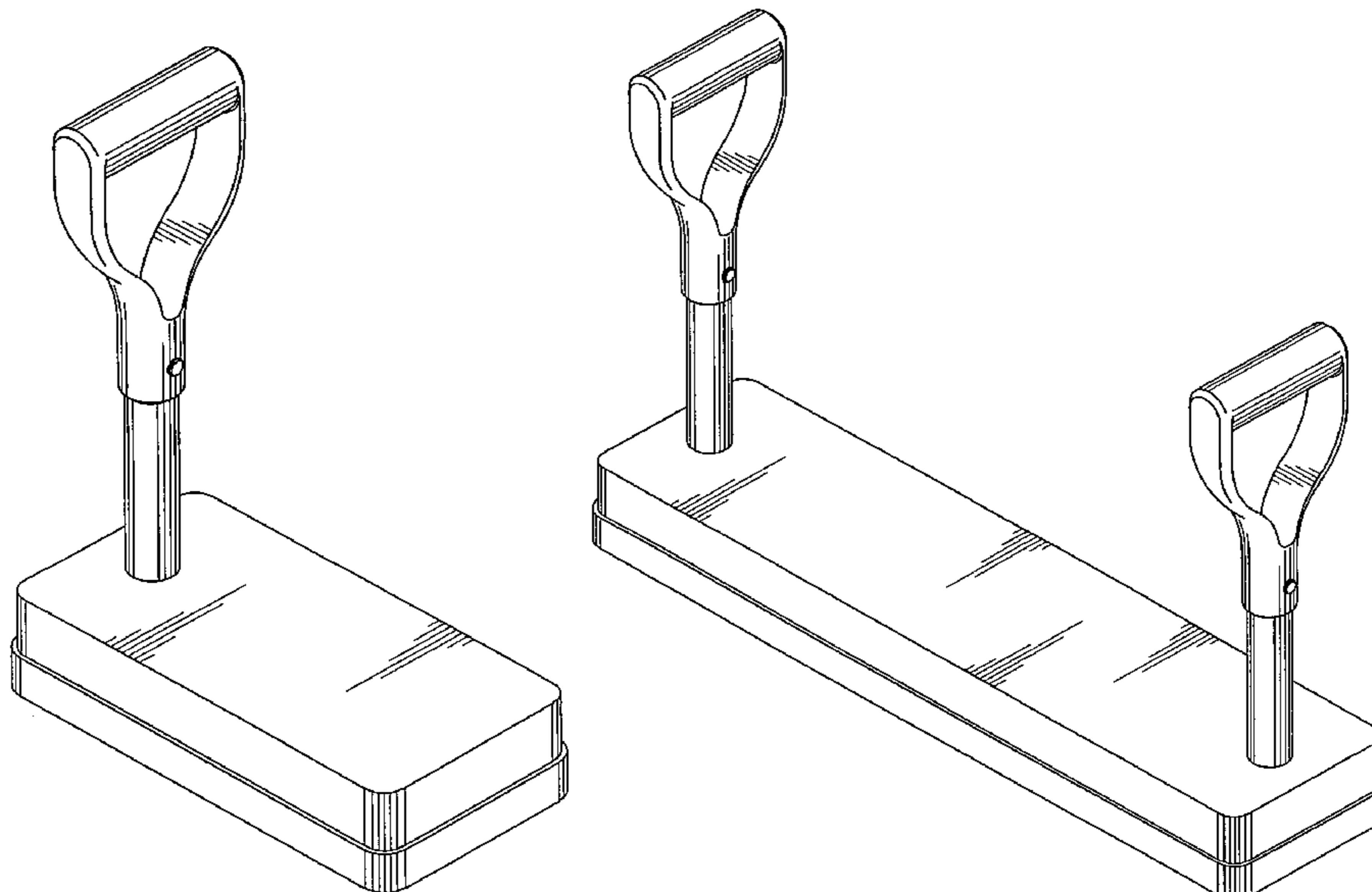
FIG. 11 is a left side elevational view of the invention shown in FIG. 8.

FIG. 12 is a bottom plan view of the invention shown in FIG. 8.

FIG. 13 is a rear plan view of the invention shown in FIG. 8; and,

FIG. 14 is a rear plan view of the invention shown in FIG. 8.

1 Claim, 6 Drawing Sheets



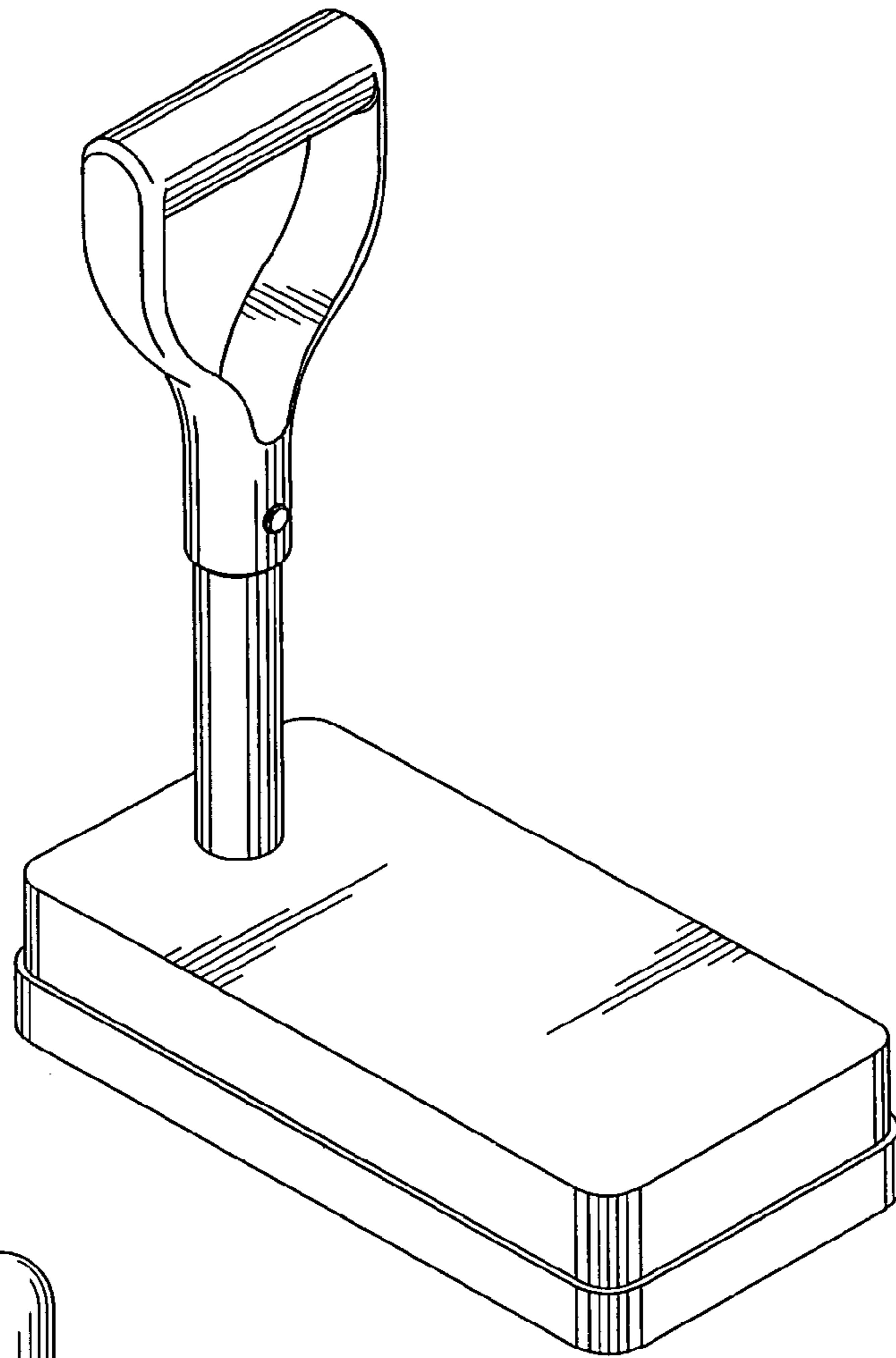


FIG. 1

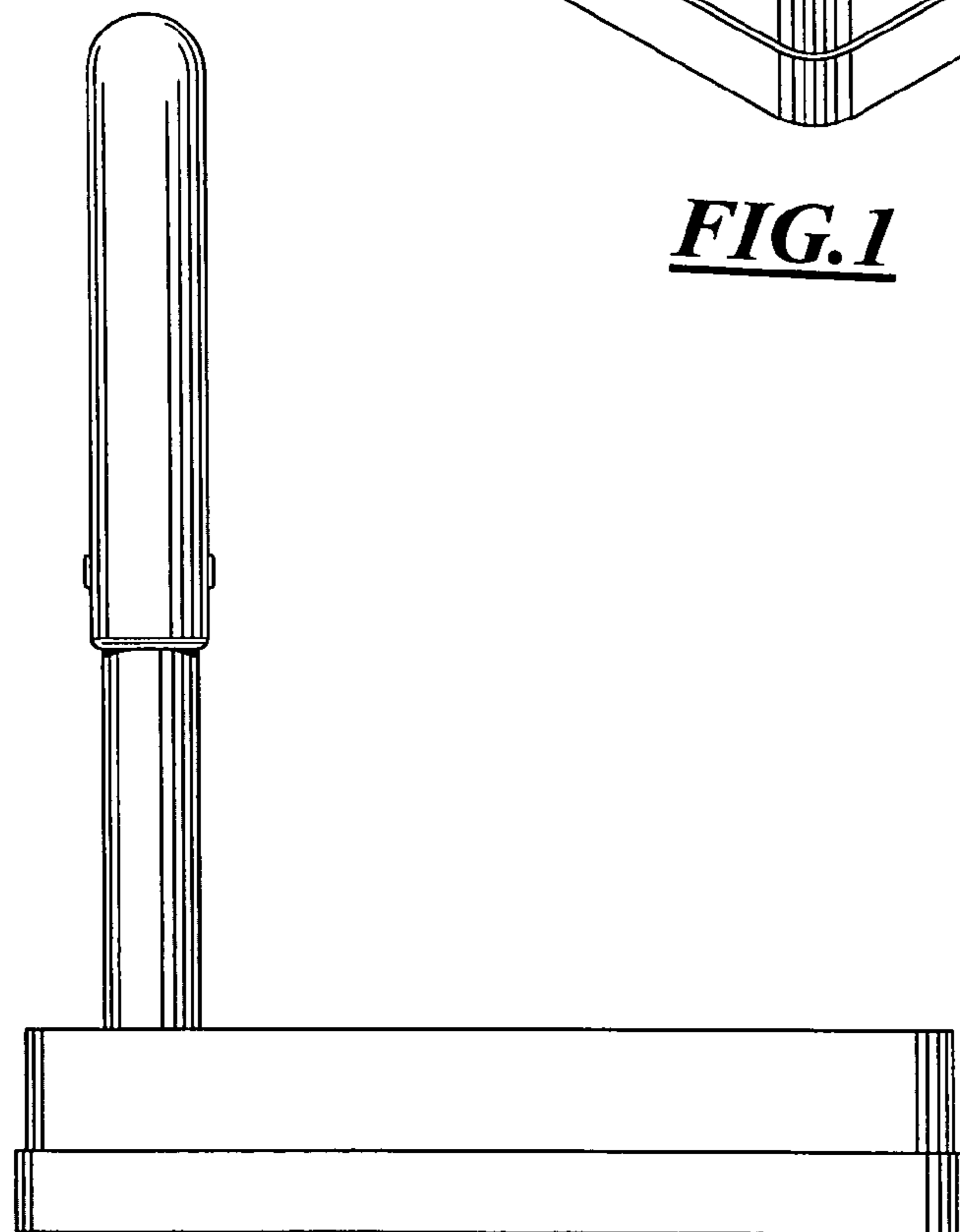


FIG. 2

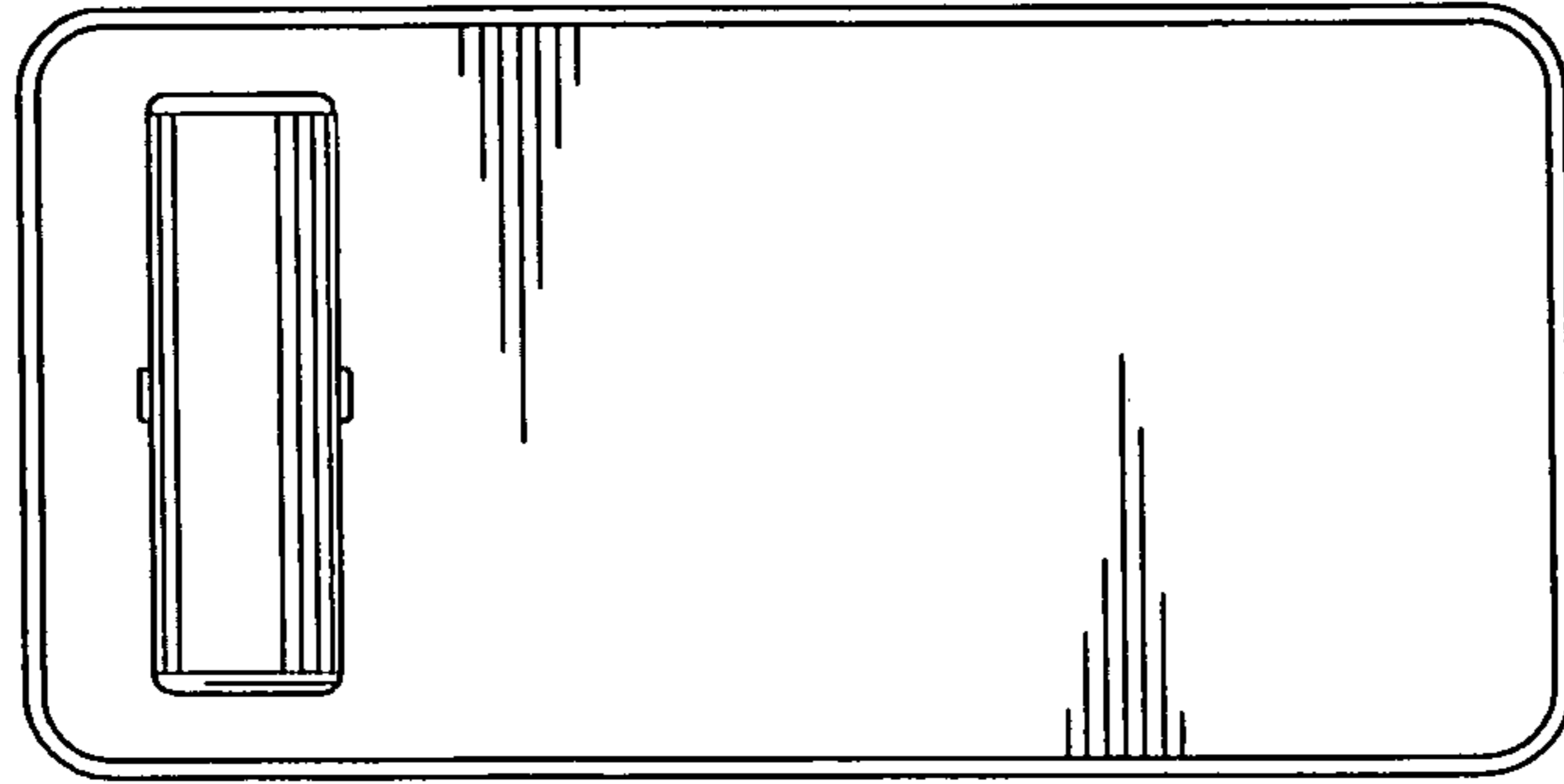


FIG. 3

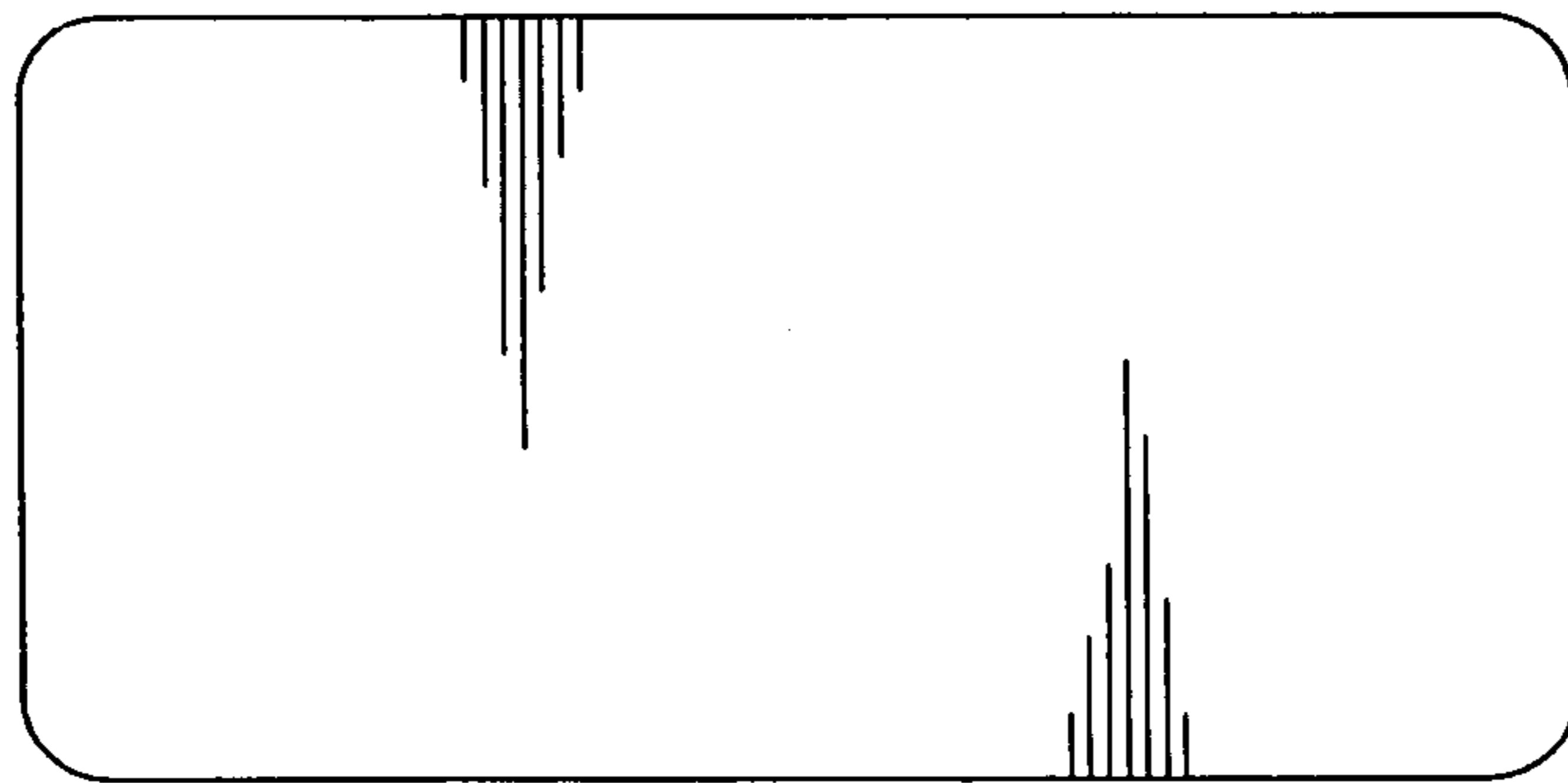


FIG. 4

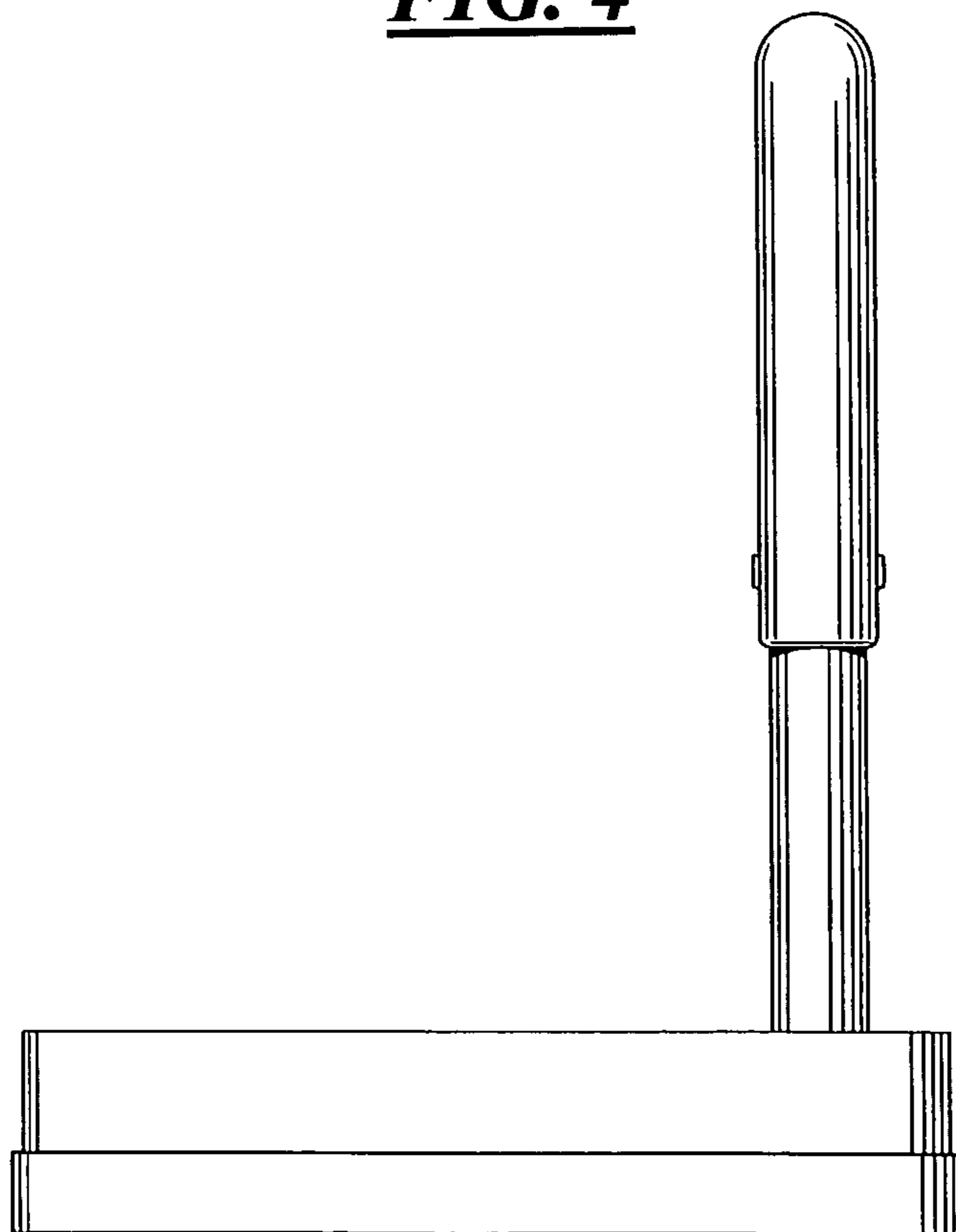


FIG. 5

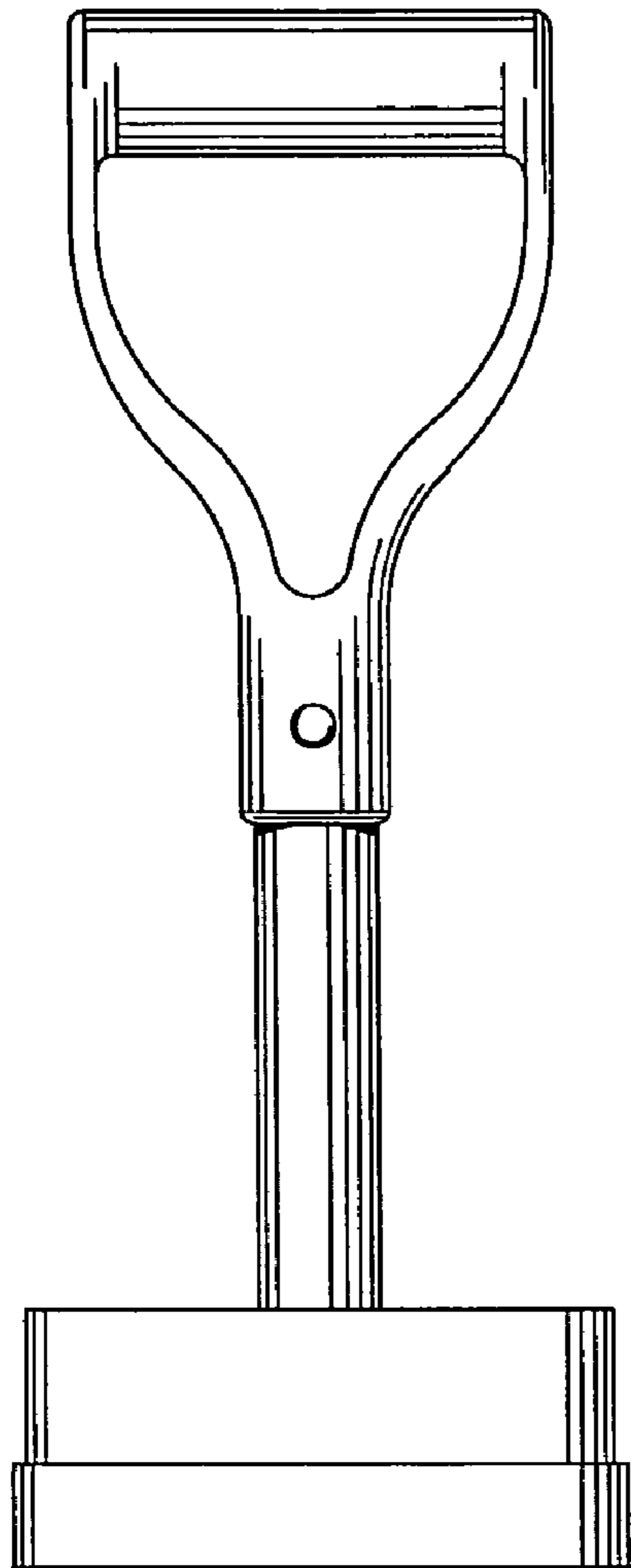


FIG. 6

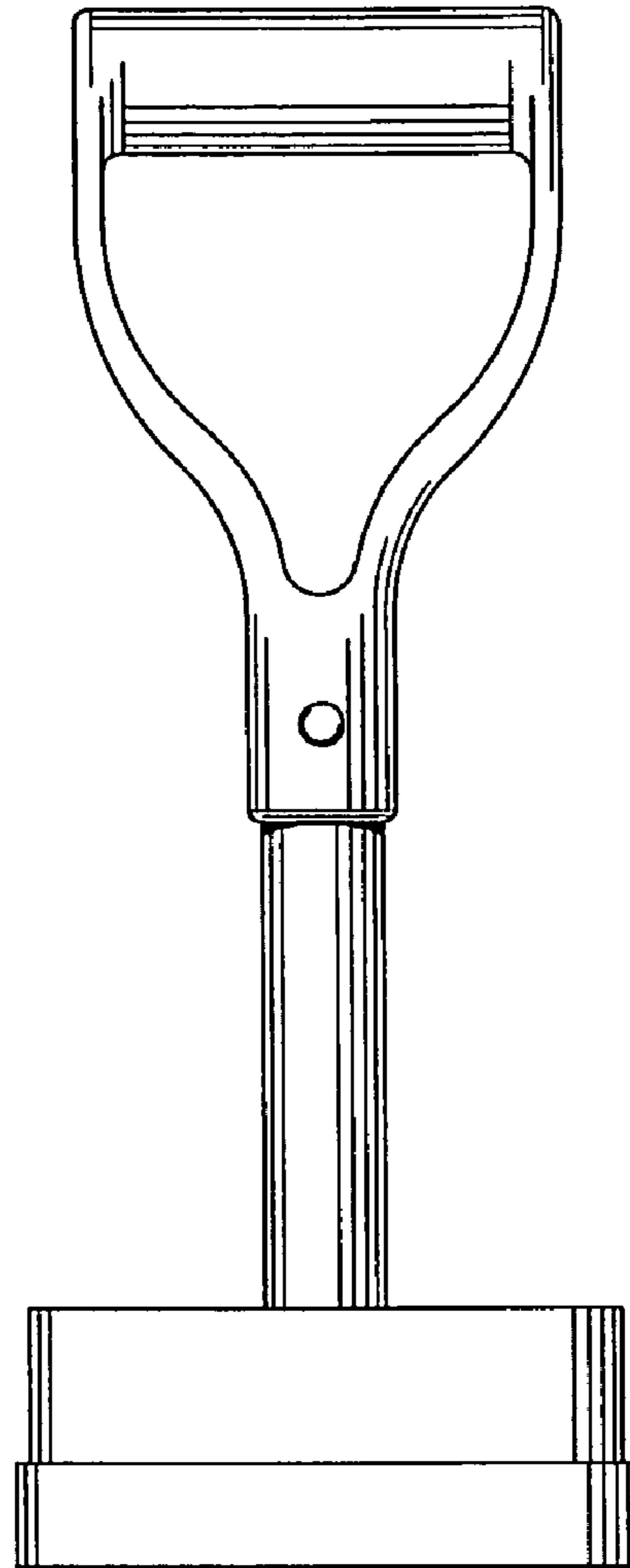


FIG. 7

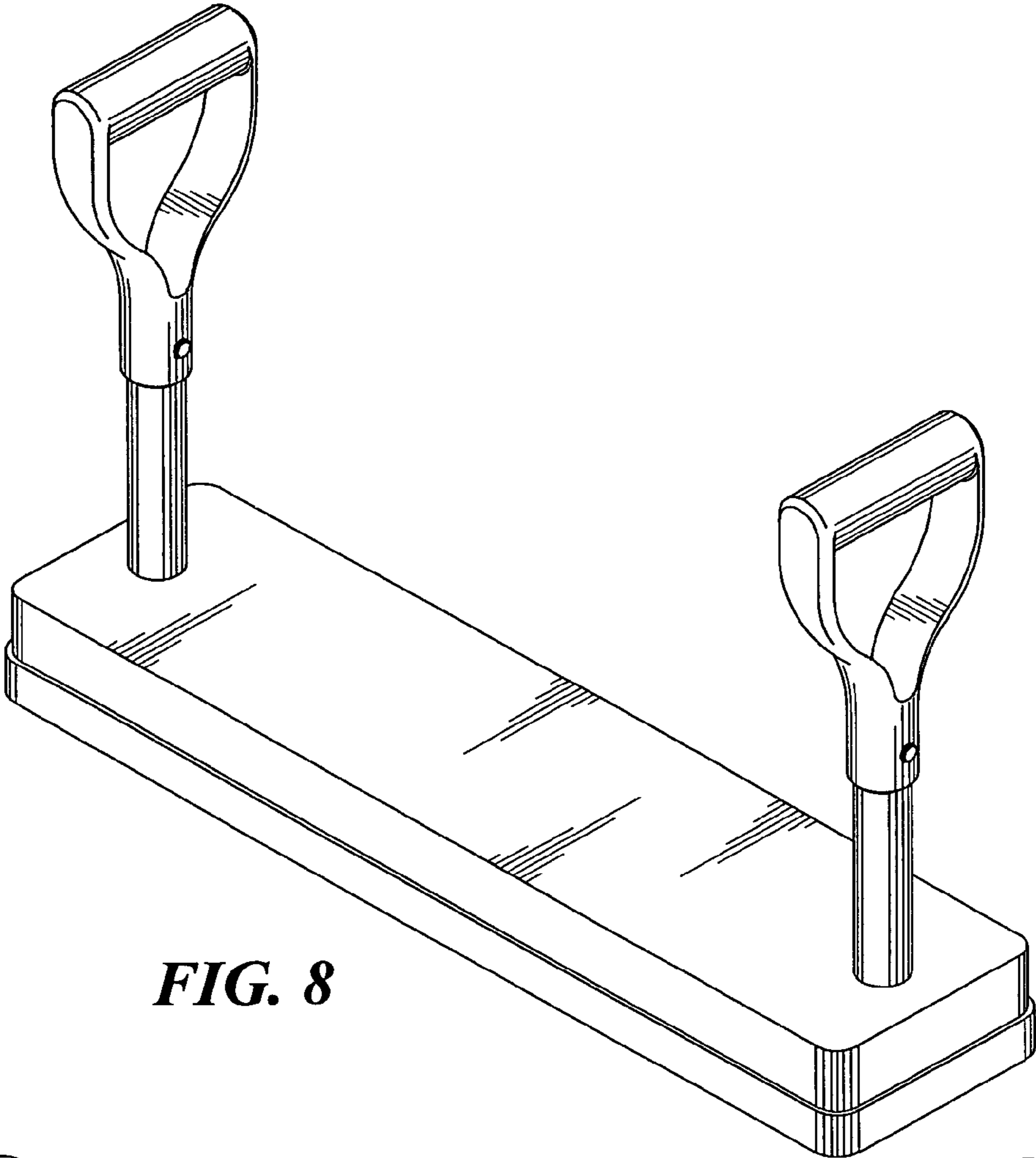


FIG. 8

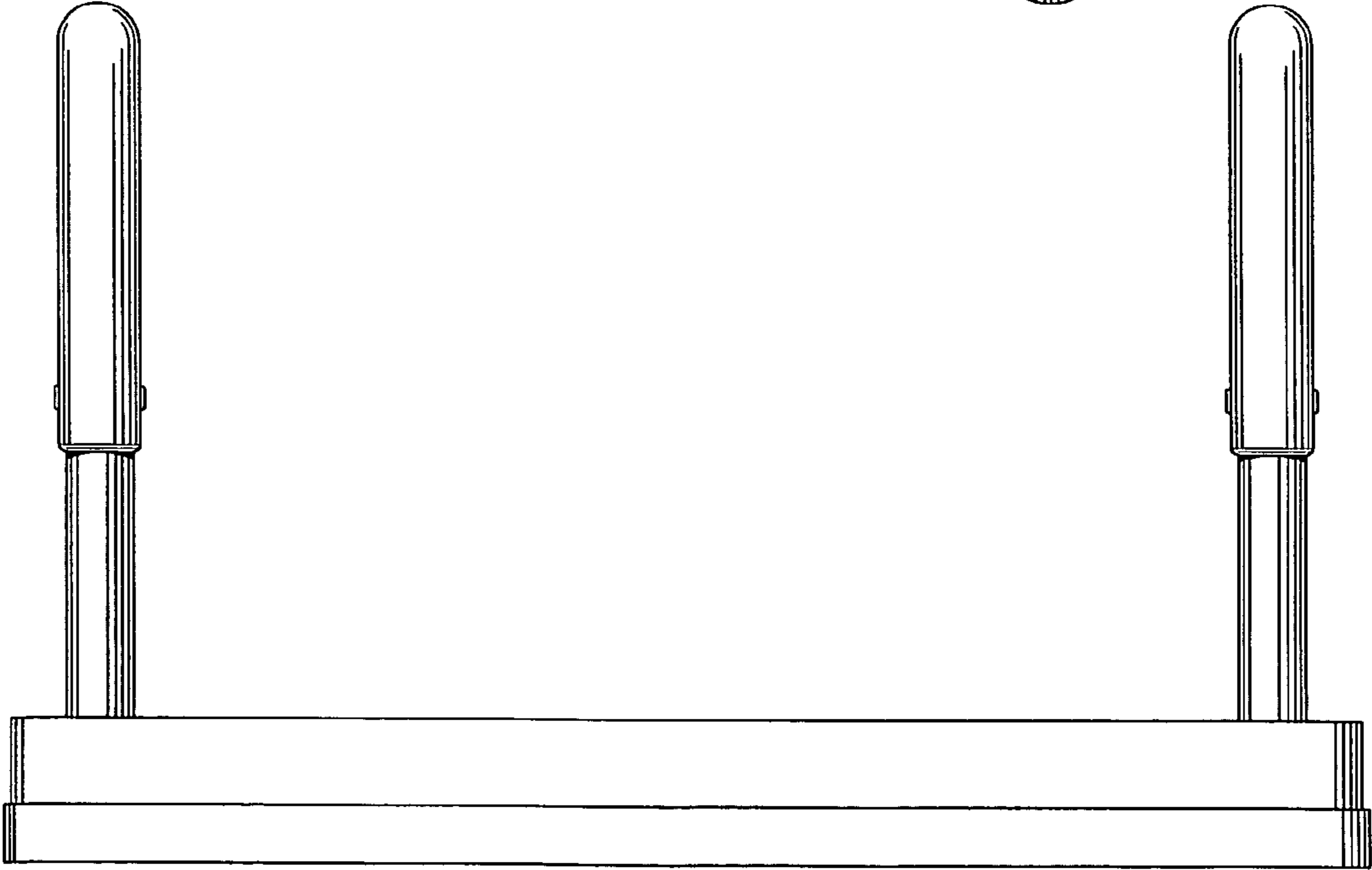


FIG. 9

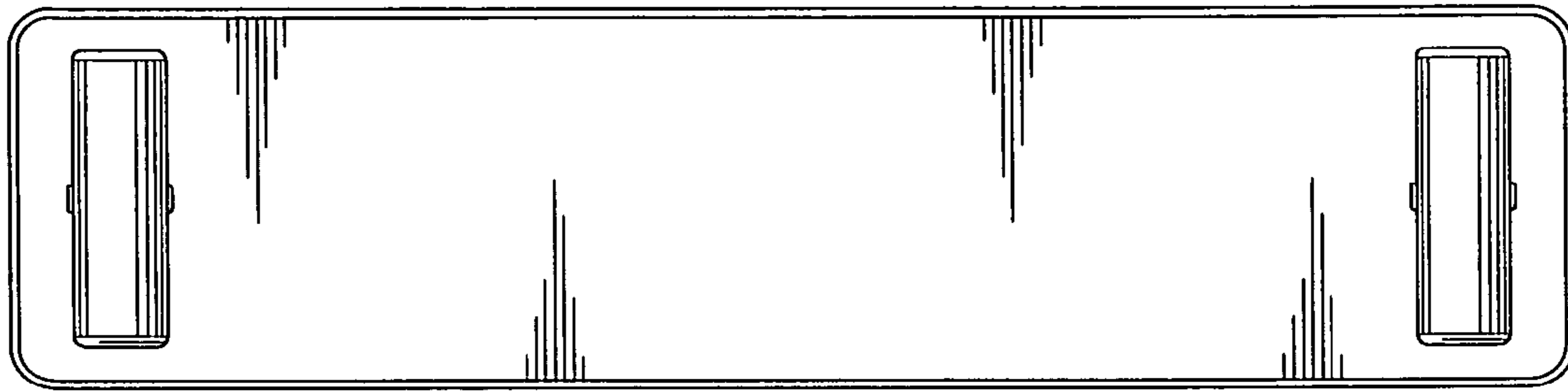


FIG. 10

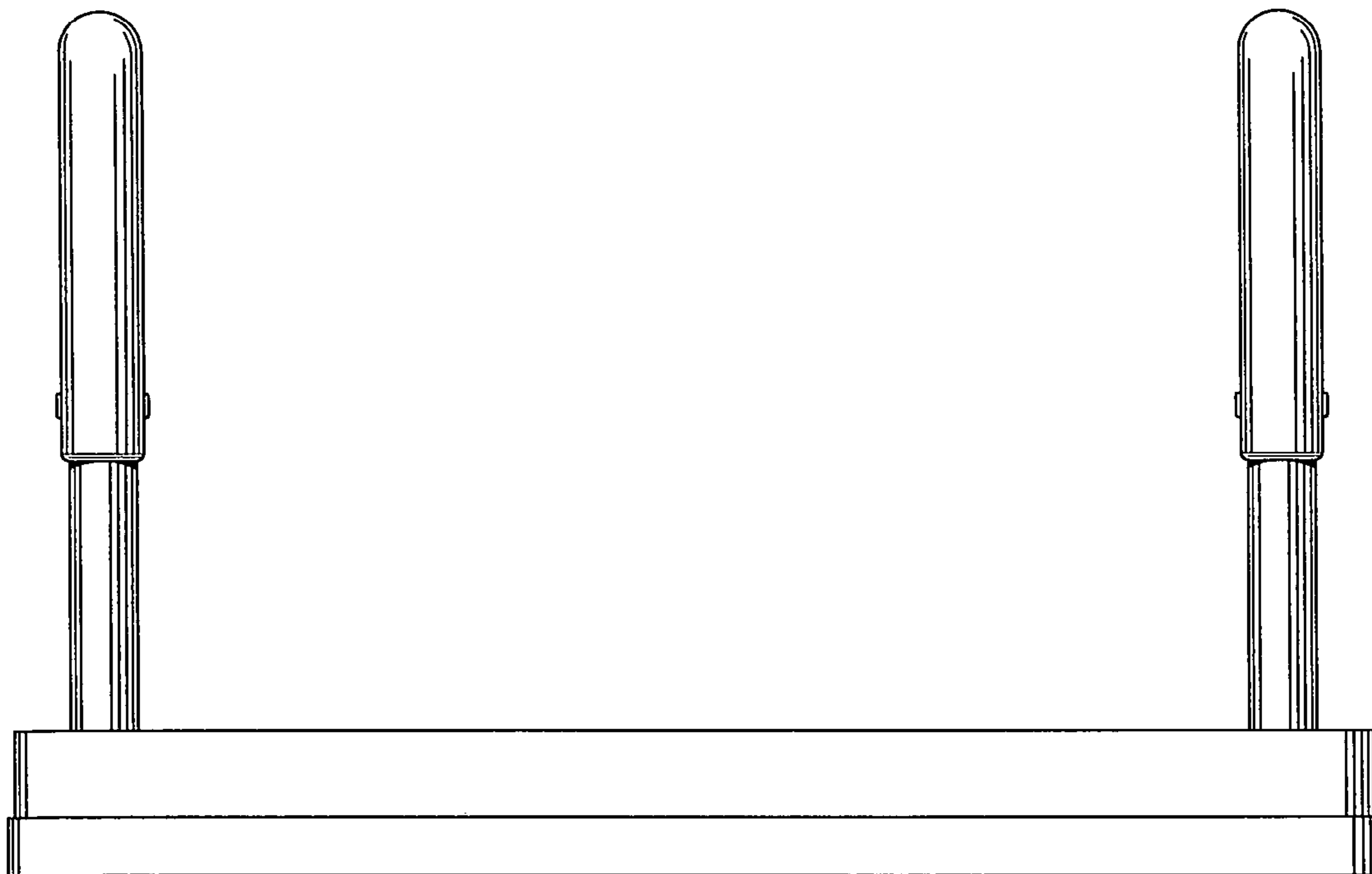


FIG. 11

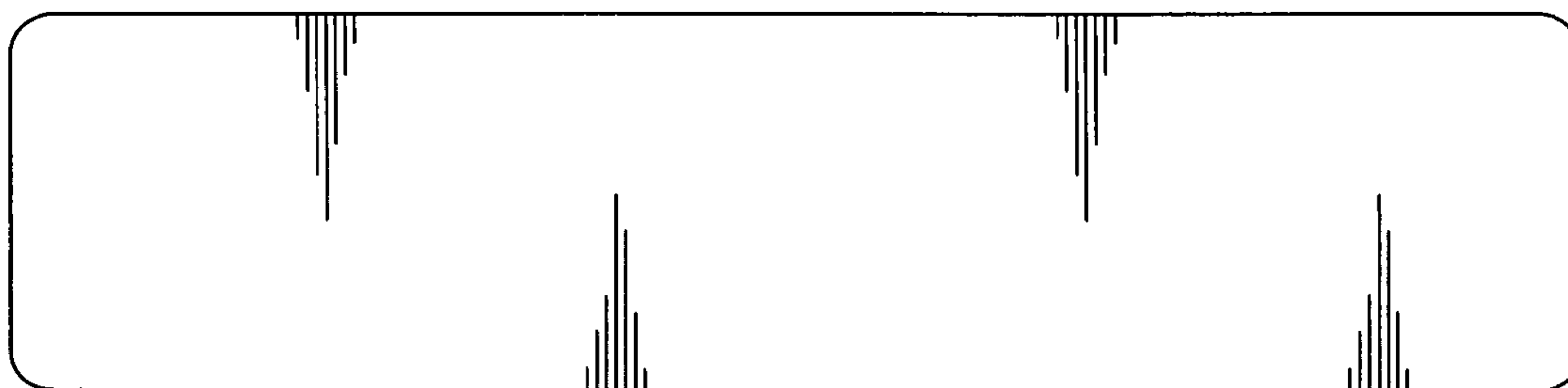


FIG. 12

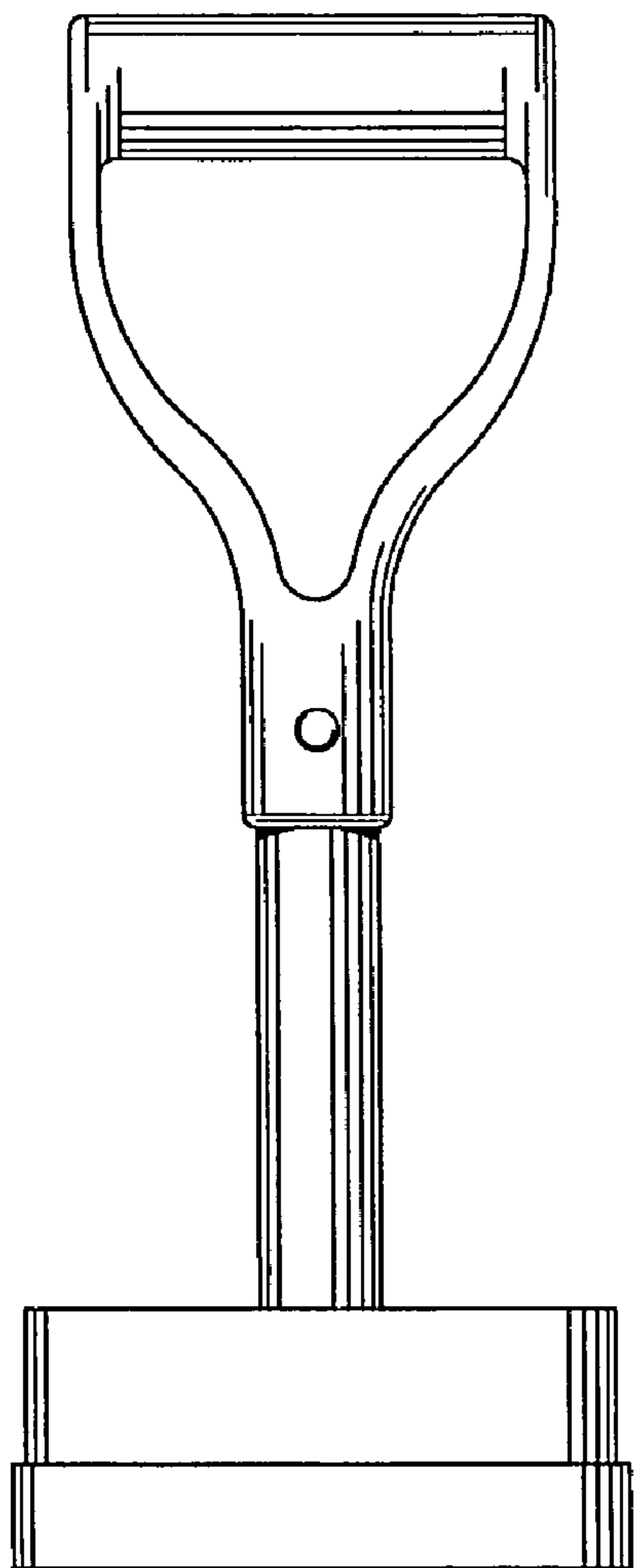


FIG. 13

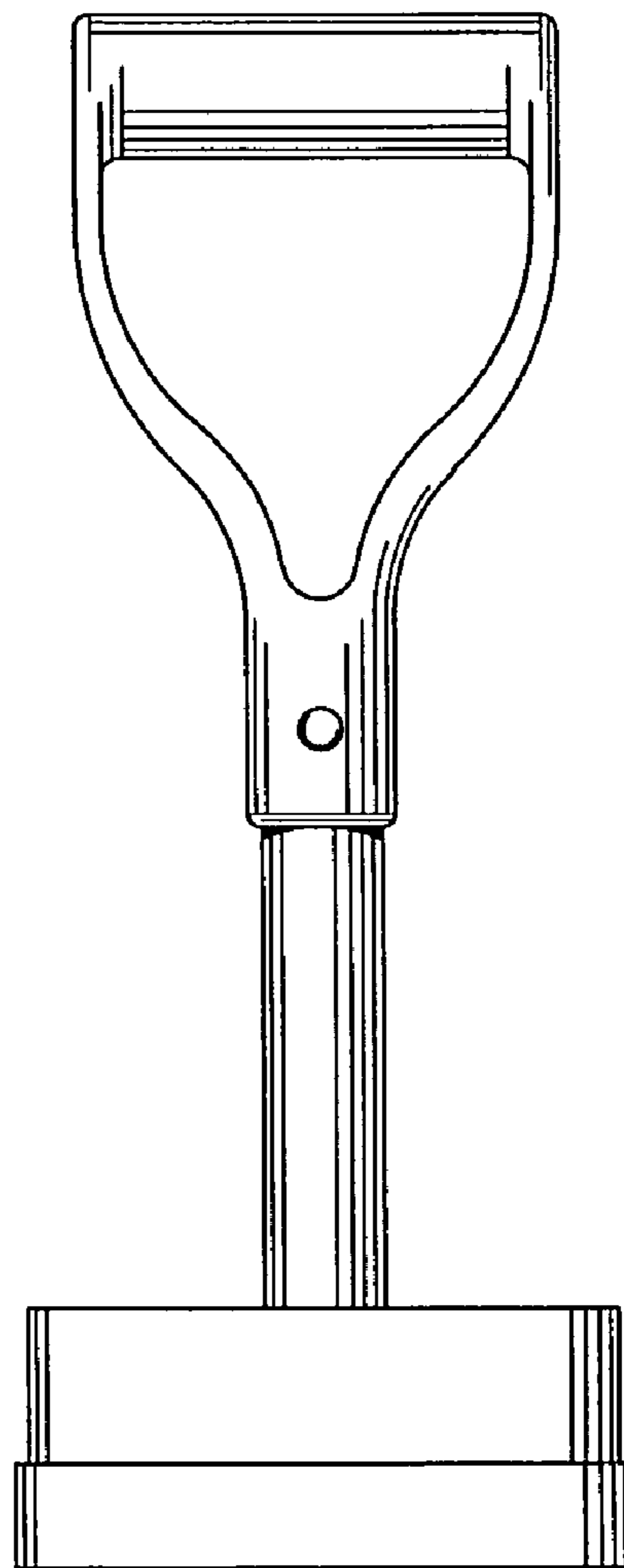


FIG. 14