



US00D592409S

(12) **United States Design Patent**  
**Wu**

(10) **Patent No.:** **US D592,409 S**

(45) **Date of Patent:** **\*\* May 19, 2009**

(54) **DIGITAL PHOTO FRAME**

2007/0266606 A1\* 11/2007 Morgan ..... 40/700

(75) Inventor: **Dan-Feng Wu**, Shenzhen (CN)

\* cited by examiner

(73) Assignee: **Hon Hai Precision Industry Co., Ltd.**,  
Tu-Cheng, Taipei Hsien (TW)

*Primary Examiner*—Caron Veynar  
*Assistant Examiner*—Sydney R Buffalow

(74) *Attorney, Agent, or Firm*—D. Austin Bonderer

(\*\*) Term: **14 Years**

(57) **CLAIM**

(21) Appl. No.: **29/320,145**

The ornamental design for a digital photo frame, as shown and described.

(22) Filed: **Jun. 20, 2008**

(51) **LOC (9) Cl.** ..... **06-04**

(52) **U.S. Cl.** ..... **D6/309**

(58) **Field of Classification Search** ..... D6/300–314,  
D6/419, 420; 40/700, 711, 714, 716, 720,  
40/735, 745, 765, 766, 780, 790; D21/483

See application file for complete search history.

**DESCRIPTION**

FIG. 1 is a perspective view of the design for the “digital photo frame”;

FIG. 2 is a front elevational view thereof;

FIG. 3 is a back elevational view thereof;

FIG. 4 is a left elevational view thereof;

FIG. 5 is a right elevational view thereof;

FIG. 6 is a top elevational view thereof;

FIG. 7 is a bottom elevational view thereof; and,

FIG. 8 is a perspective view of the “digital photo frame” in an unfolded state.

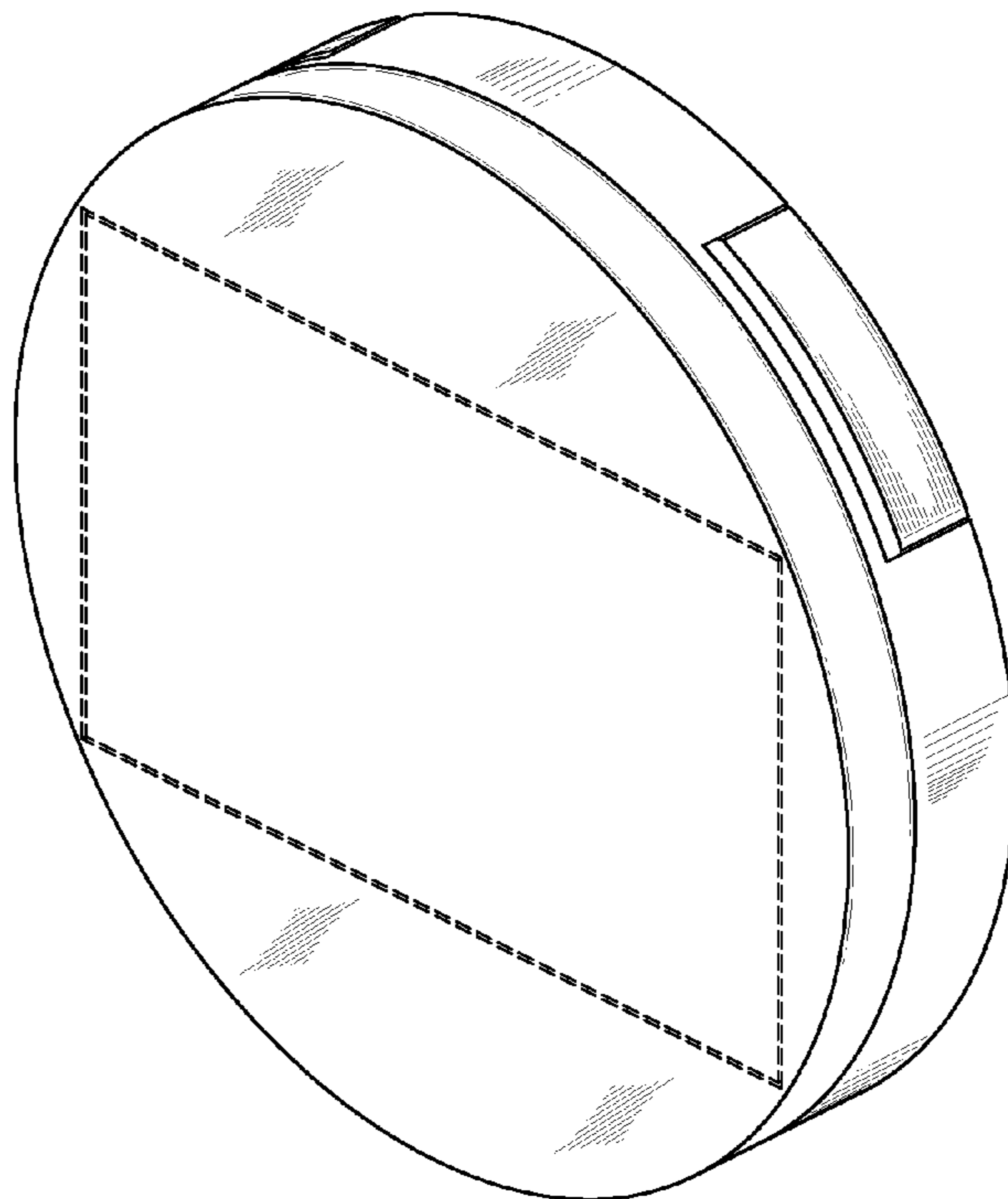
The broken line showing of “digital photo frame” is for the purpose of illustrating environmental structures only and forms no part of the claimed design.

(56) **References Cited**

U.S. PATENT DOCUMENTS

D287,914 S *	1/1987	Woolf	.....	D6/419
D392,110 S *	3/1998	Tsui	.....	D6/309
D427,647 S *	7/2000	Wise et al.	.....	D21/483
D488,626 S *	4/2004	Kruger	.....	D6/309
D504,780 S *	5/2005	Pitot	.....	D6/308
D530,523 S *	10/2006	Pitot et al.	.....	D6/308
D566,974 S *	4/2008	Lee	.....	D6/300

**1 Claim, 8 Drawing Sheets**



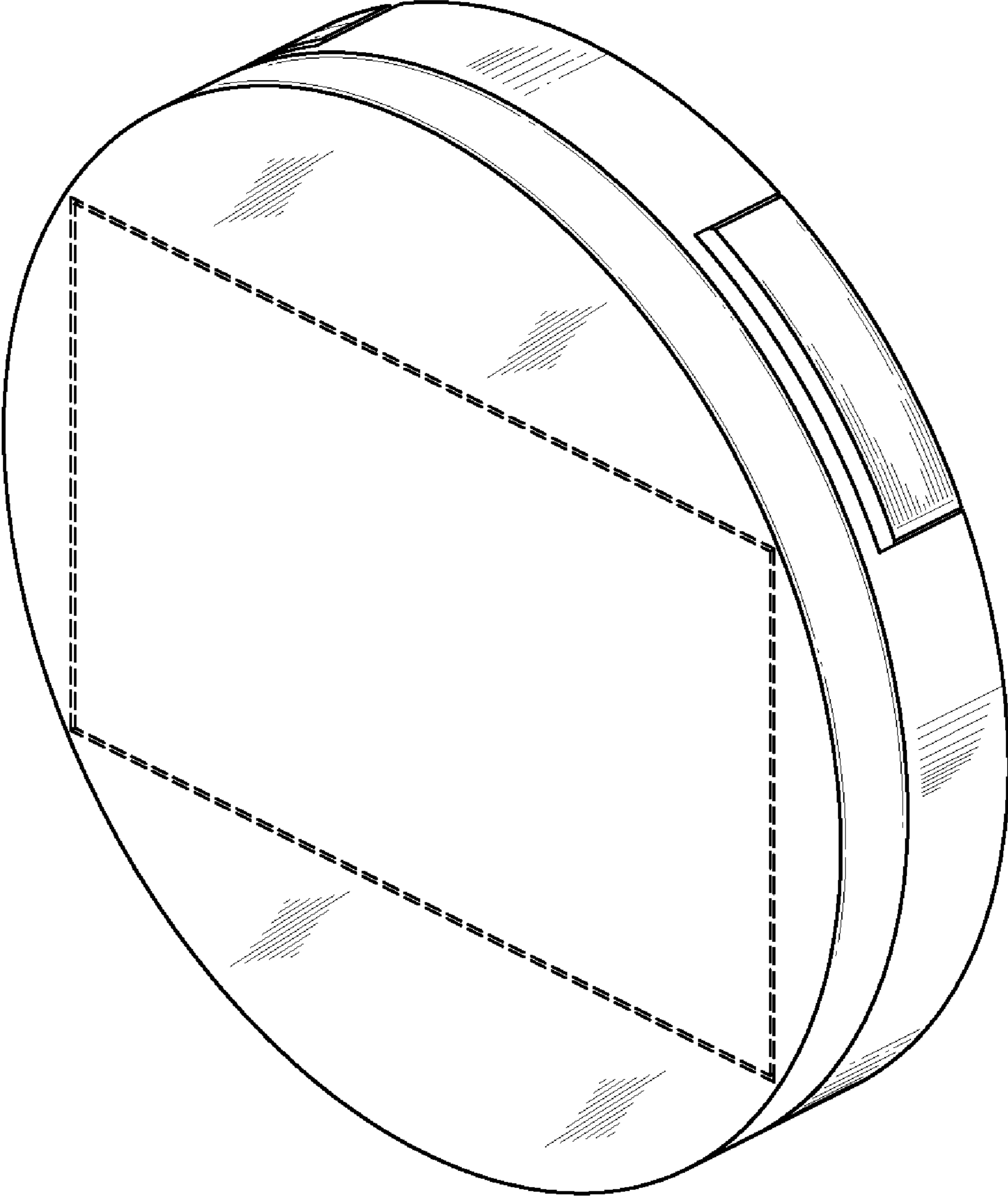


FIG. 1

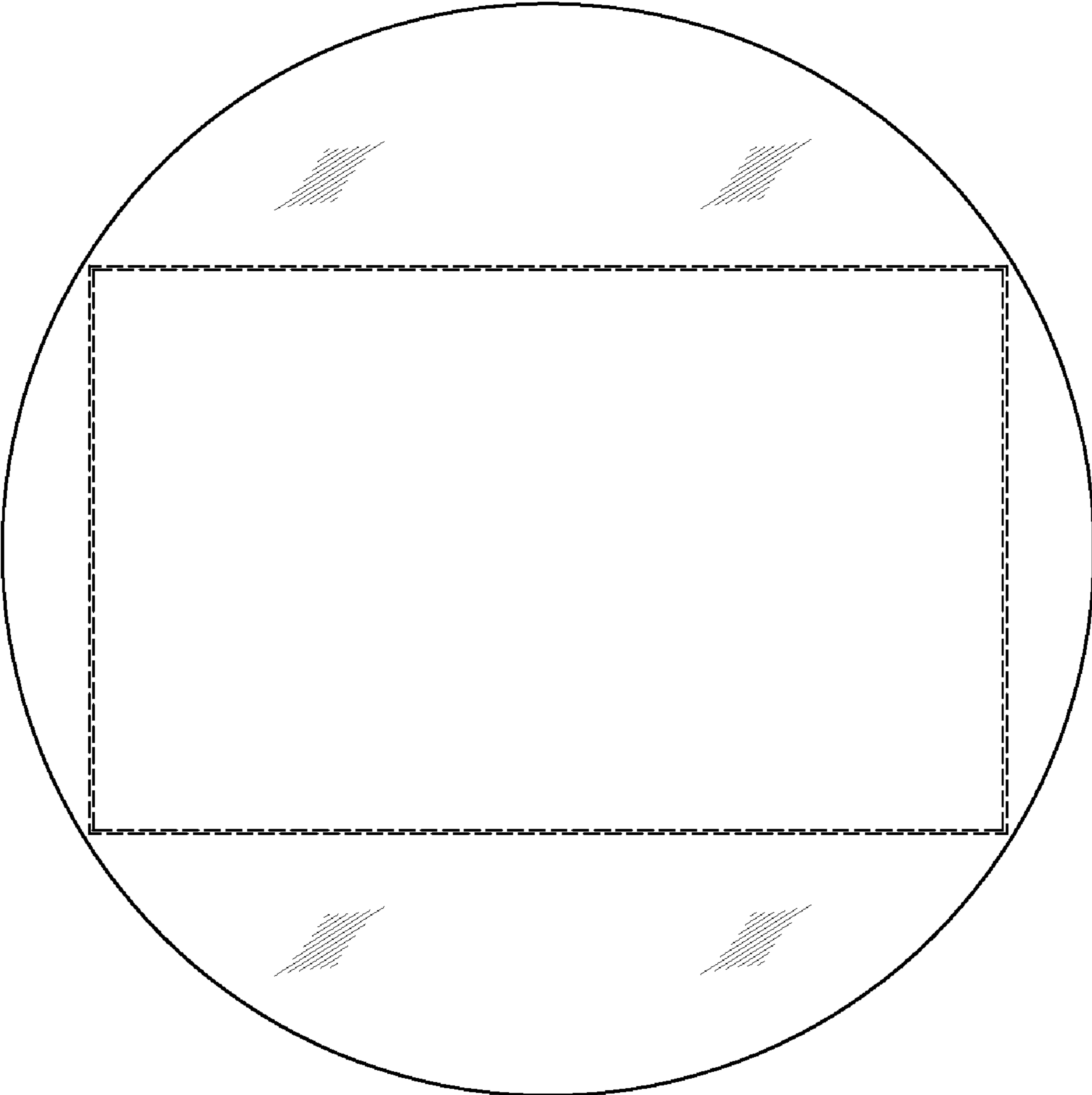


FIG. 2

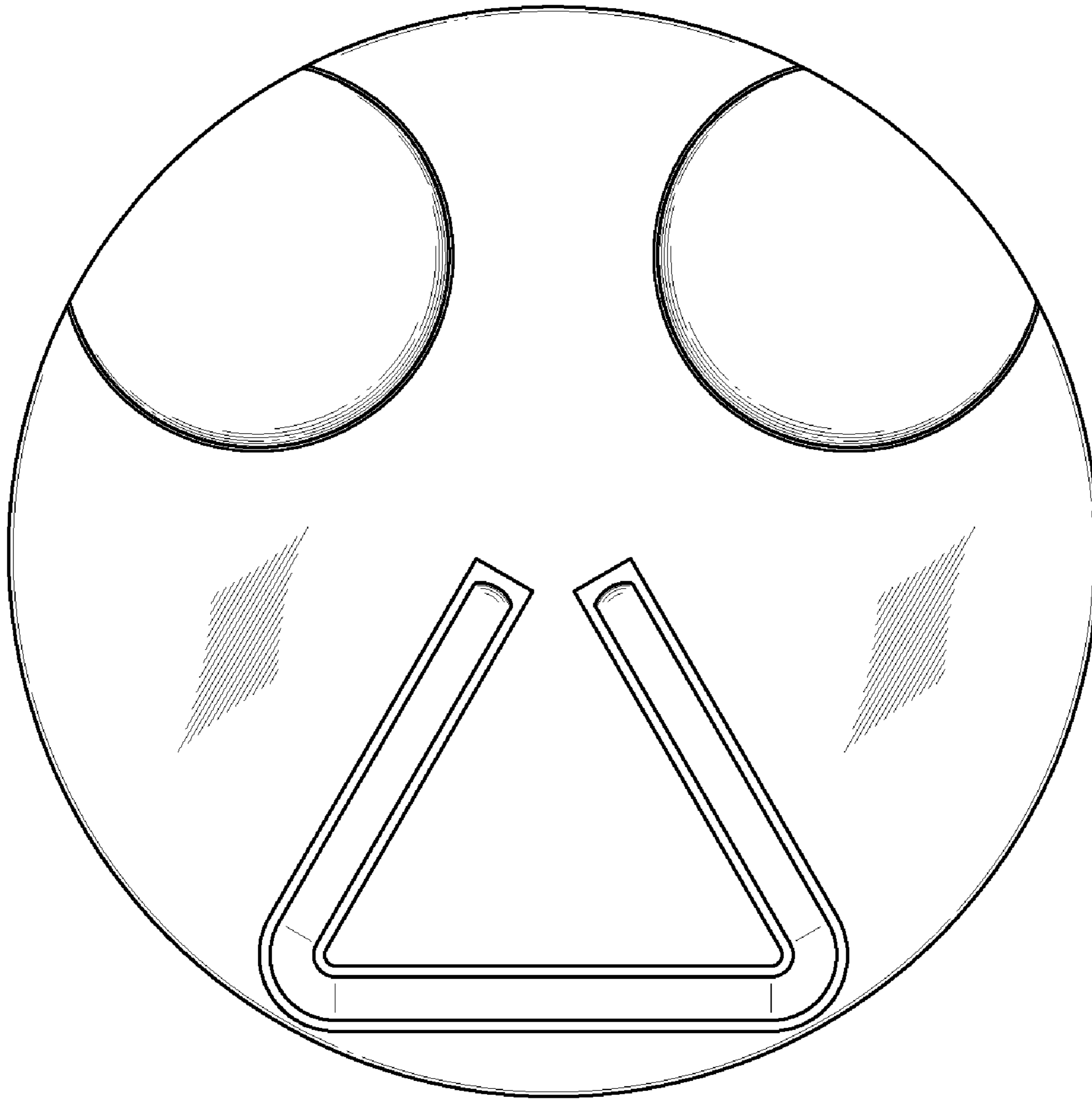


FIG. 3

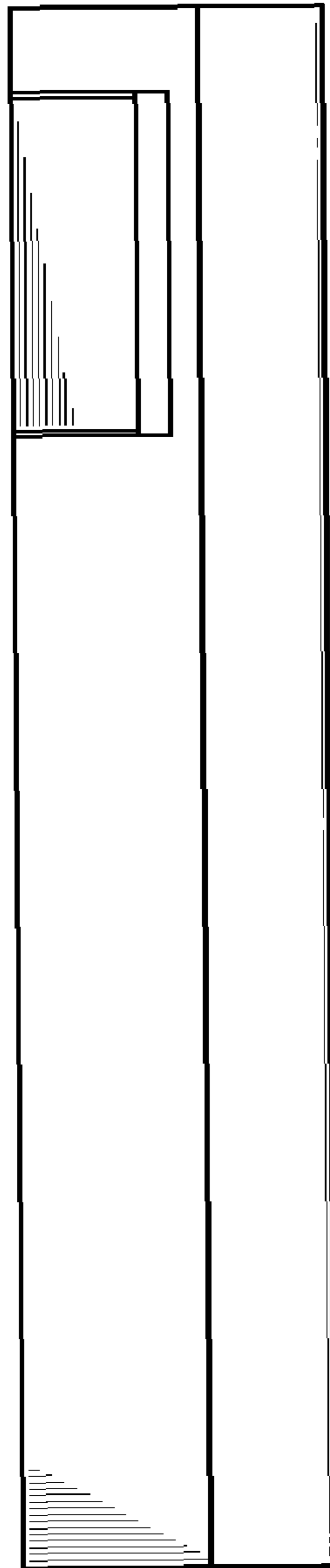


FIG. 4

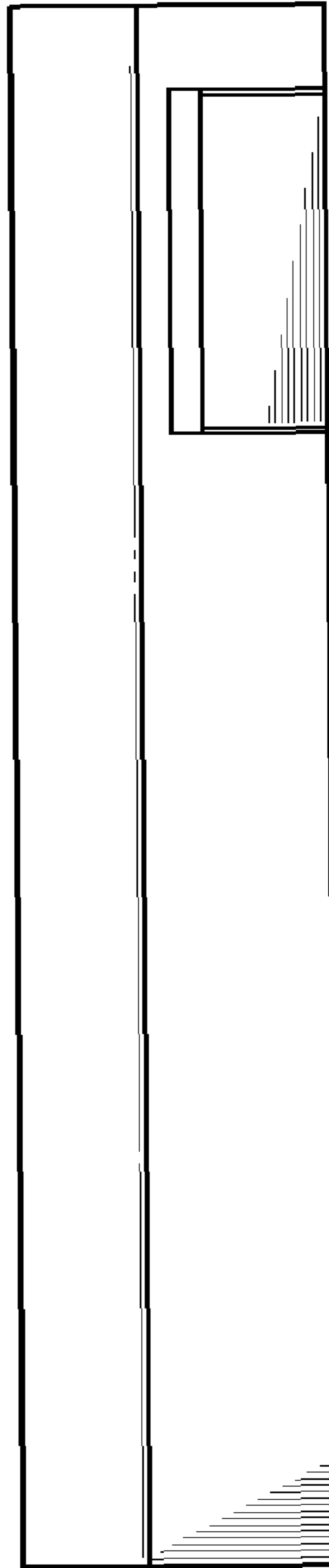


FIG. 5

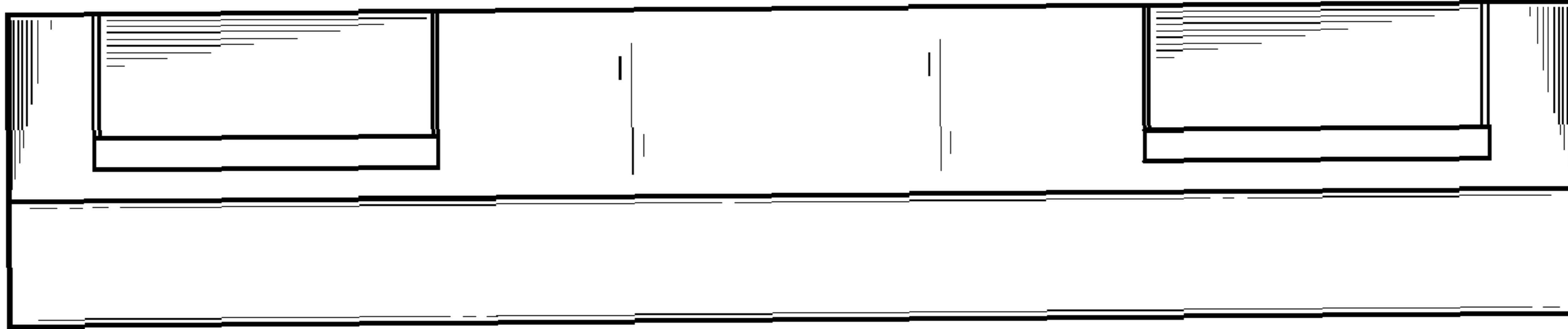


FIG. 6

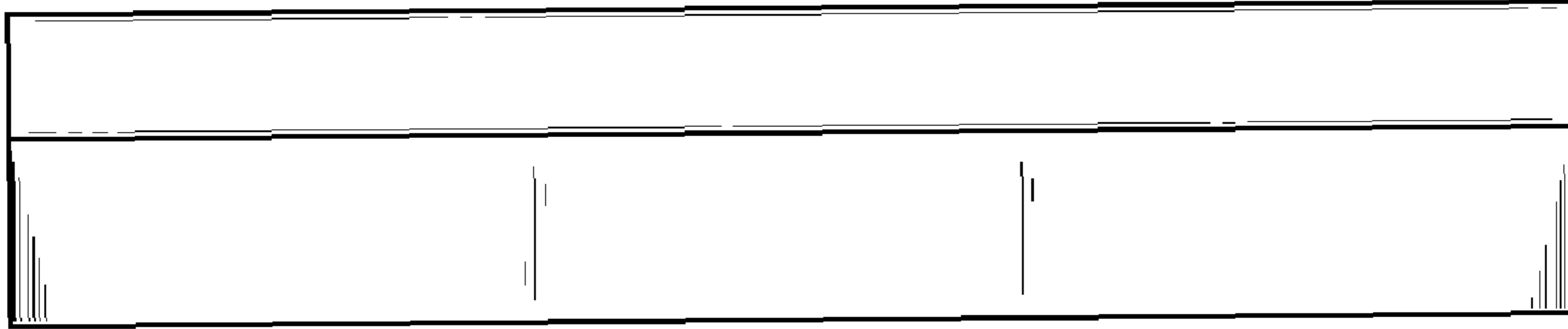


FIG. 7



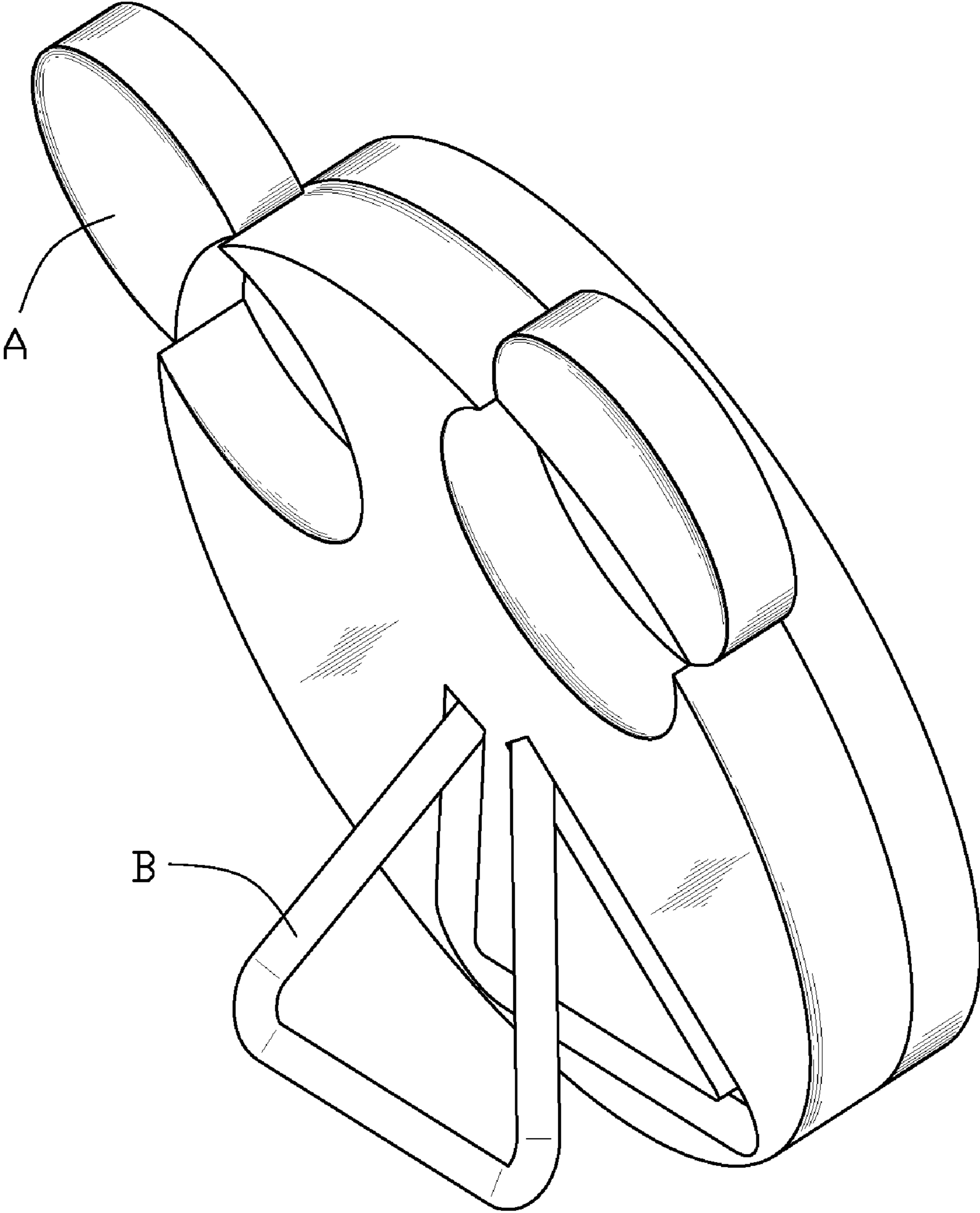


FIG. 8