



US00D592407S

(12) **United States Design Patent**
Borovicka et al.

(10) **Patent No.:** **US D592,407 S**

(45) **Date of Patent:** **** May 19, 2009**

(54) **GRIPPING PORTION OF A GRILL BRUSH HANDLE**

(75) Inventors: **Cory Thomas Borovicka**, San Francisco, CA (US); **Charles Adams**, Berkeley, CA (US)

(73) Assignee: **Charcoal Companion Incorporated**, Emeryville, CA (US)

(**) Term: **14 Years**

(21) Appl. No.: **29/286,520**

(22) Filed: **May 8, 2007**

(51) **LOC (9) Cl.** **04-01**

(52) **U.S. Cl.** **D4/129; D4/138**

(58) **Field of Classification Search** D4/129, D4/132, 138; D3/276; D7/393, 394, 391; D8/45, 90, 300, 315-137, 319, 320; D32/52; 15/143.1, 235.4-235.7; 16/114.1, 405-407, 16/412, 415, 419, 426, 444; 220/710.5, 752, 220/755, 768, 769; 294/58

See application file for complete search history.

(56) **References Cited**

U.S. PATENT DOCUMENTS

866,318	A *	9/1907	Wilson	222/189.07
2,374,645	A *	5/1945	Borbe	16/406
2,720,176	A *	10/1955	Babbitt	30/130
2,950,840	A *	8/1960	Lewerth	220/212.5
5,669,651	A *	9/1997	Vroegindewey	294/58
D399,406	S *	10/1998	Decursu et al.	D8/317
D431,444	S *	10/2000	Short	D8/316
6,216,306	B1	4/2001	Esterson et al.		

FOREIGN PATENT DOCUMENTS

JP 60184433 A * 9/1985

OTHER PUBLICATIONS

Nouveau II Pull—M573, Product Page [online]. Closet Masters Inc., 2005 [retrieved on Nov. 12, 2008]. Retrieved from the Internet <URL: http://web.archive.org/*http://www.closet-masters.com>.*
Hewi Door Pull Handle—908.01.6xx, Product Page [online]. Closet Masters Inc., 2005 [retrieved on Nov. 12, 2008]. Retrieved from the Internet <URL: http://web.archive.org/*http://www.closet-masters.com>.*

Charcoal Companion 2004 Product Catalog, pp. 50, 51.
Charcoal Companion 2006 Product Catalog, pp. 54, 55.

* cited by examiner

Primary Examiner—Melanie H Tung

Assistant Examiner—Lavone D Tabor

(74) *Attorney, Agent, or Firm*—Donald L. Beeson; Beeson Skinner Beverly, LLP

(57) **CLAIM**

The ornamental design for a gripping portion of a grill brush handle, as shown and described.

DESCRIPTION

FIG. 1 is a top perspective view of a gripping portion of a grill brush handle showing our new design;

FIG. 2 is a front elevational view thereof;

FIG. 3 is a rear elevational view thereof;

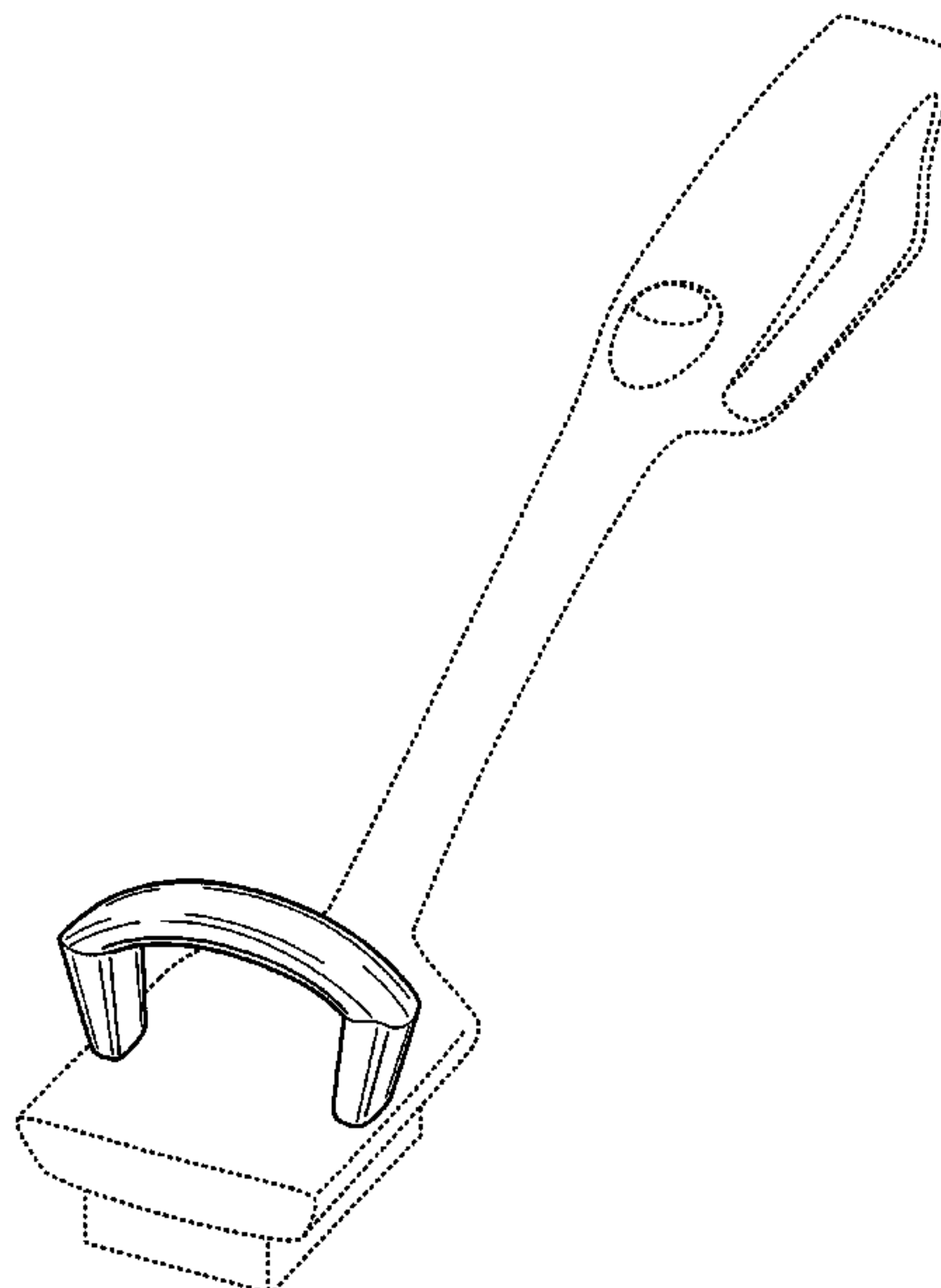
FIG. 4 is a left side elevational view thereof, the right side being a mirror image;

FIG. 5 is a top plan view thereof; and,

FIG. 6 is a bottom plan view thereof.

The broken lines in FIG. 6 represent the bounds of the claimed design while all other broken lines are directed to environment and are for illustrative purposes only; the broken lines form no part of the claimed design.

1 Claim, 4 Drawing Sheets



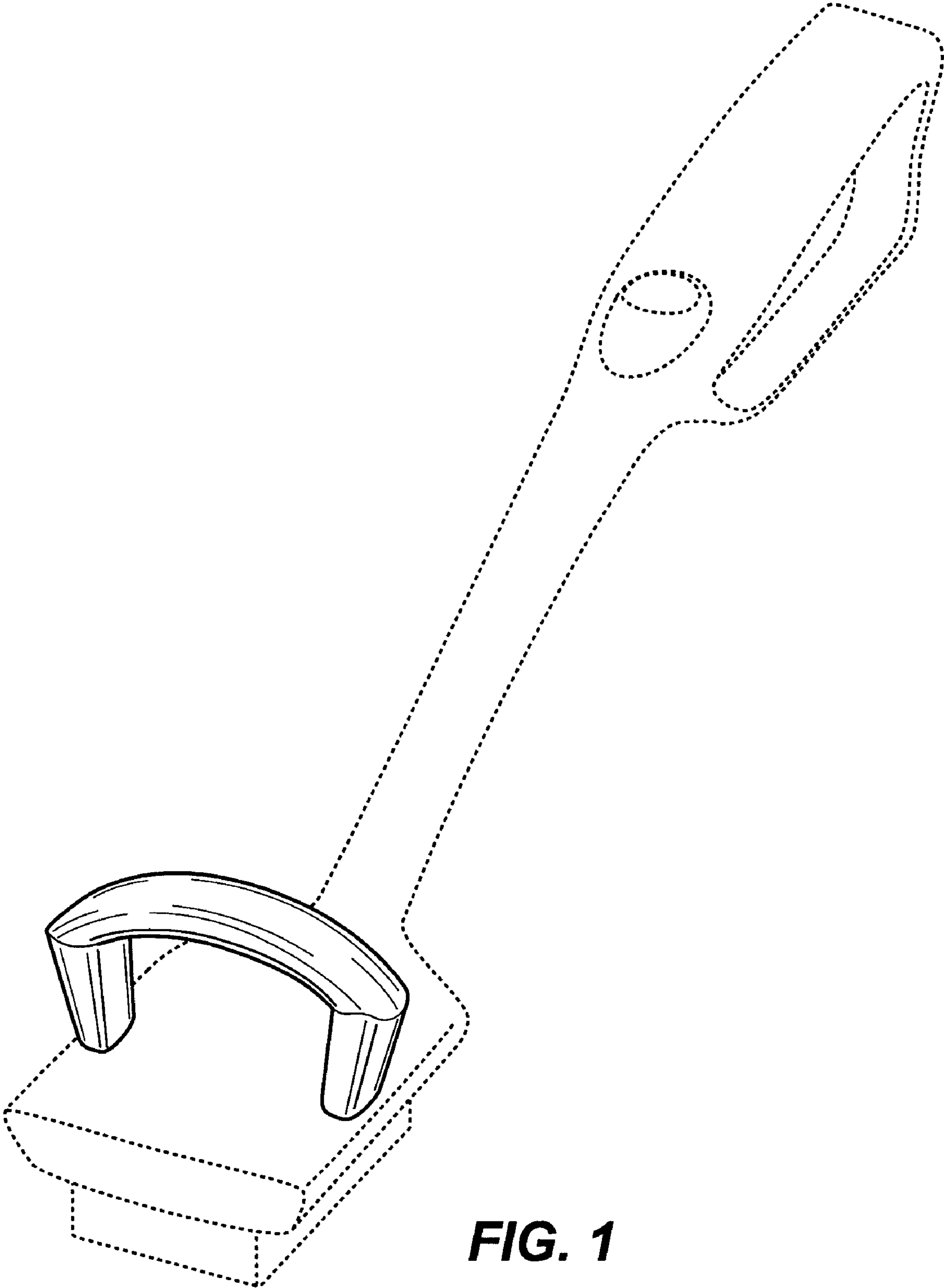


FIG. 1

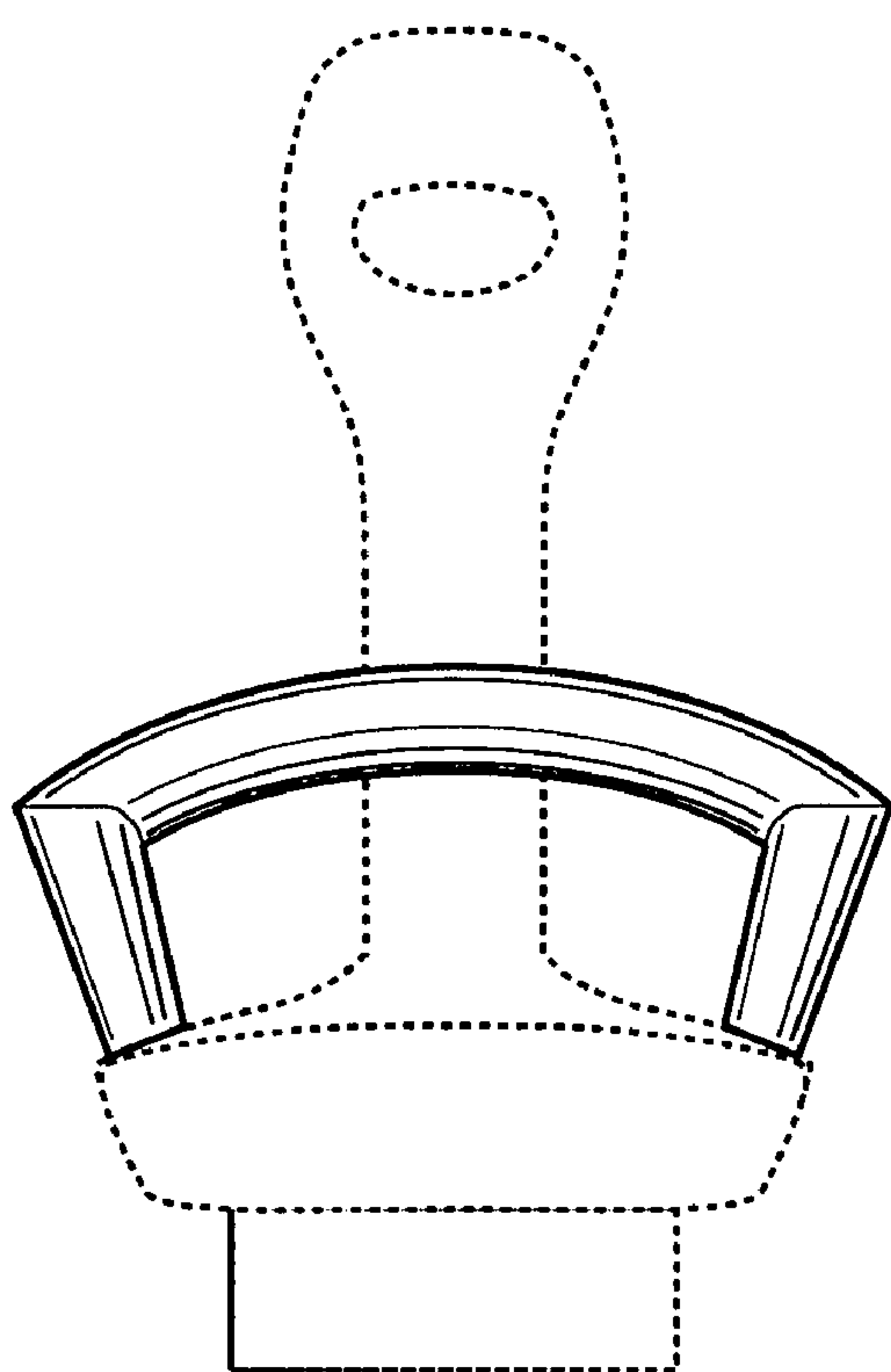


FIG. 2



FIG. 3

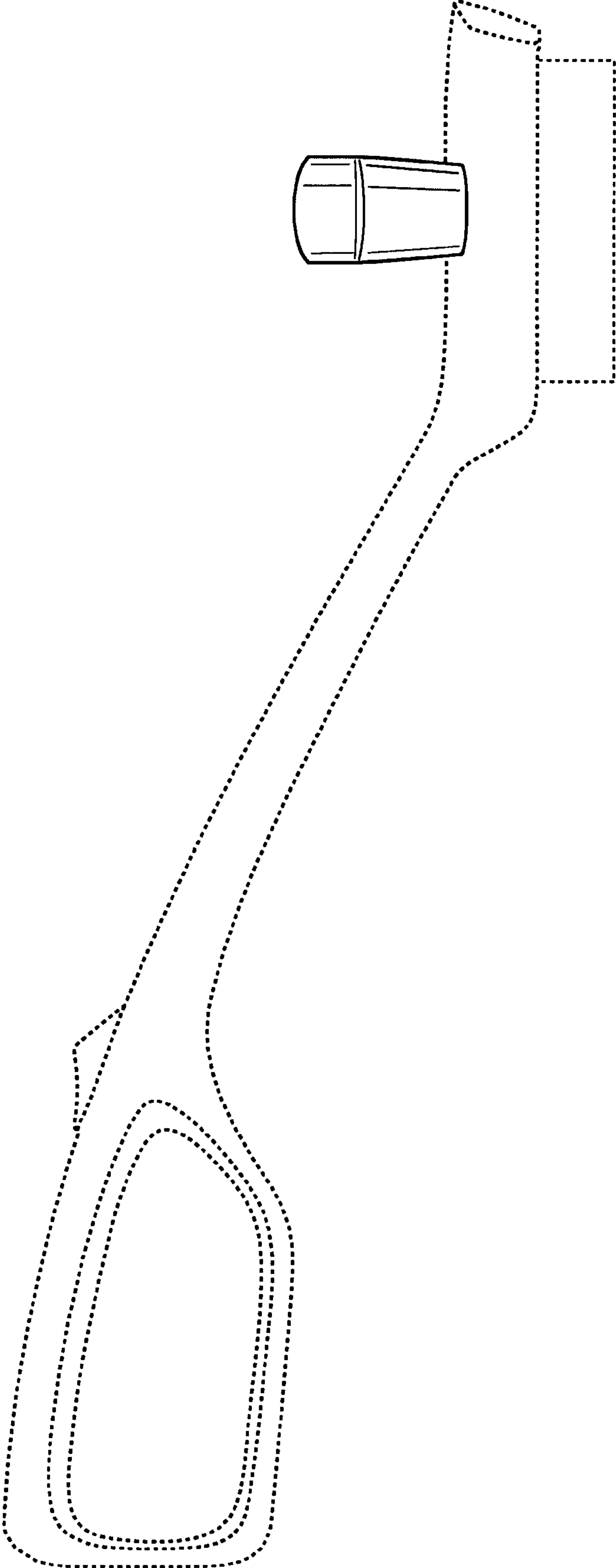


FIG. 4

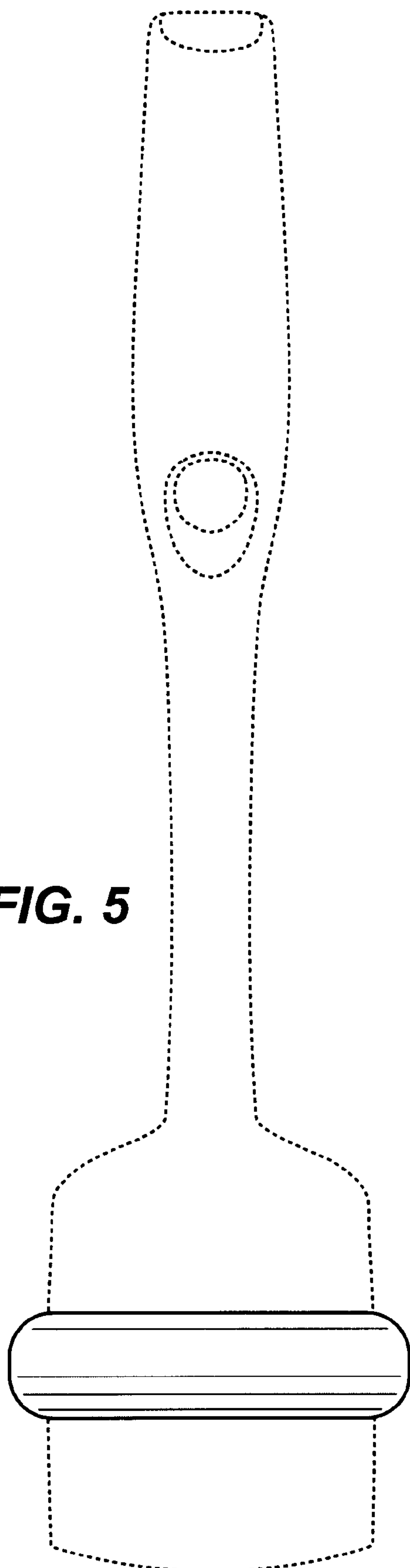


FIG. 5

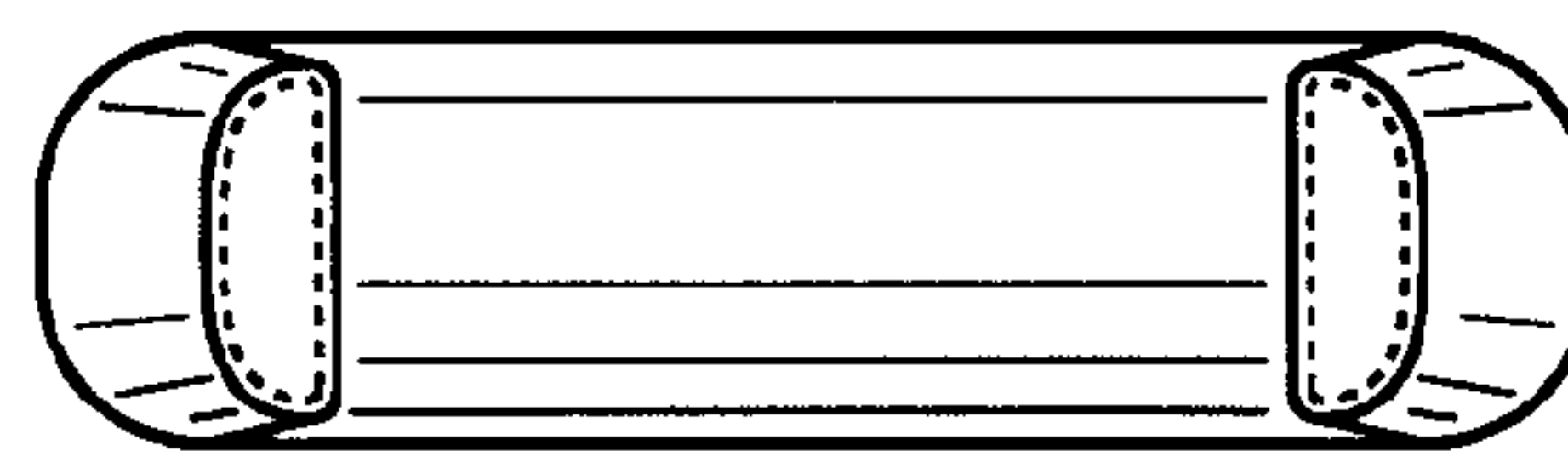


FIG. 6