

US00D592406S

(12) **United States Design Patent**  
**Gallardo**

(10) **Patent No.:** **US D592,406 S**

(45) **Date of Patent:** **\*\* May 19, 2009**

(54) **PAINT TRIMMER**

(76) **Inventor:** **Jose Antonio Gallardo**, 27654 Muir  
Grove Way, Castaic, CA (US) 91384

(\*\*) **Term:** **14 Years**

(21) **Appl. No.:** **29/329,214**

(22) **Filed:** **Dec. 10, 2008**

(51) **LOC (9) Cl.** ..... **04-01**

(52) **U.S. Cl.** ..... **D4/119; D4/129; D4/137**

(58) **Field of Classification Search** ..... D4/119,  
D4/129, 130, 134, 137; D8/45, 90, 94; D32/52;  
15/114, 159.1, 160, 209.1, 210.1, 235.4,  
15/235.7, 244.1; 401/196, 205, 206, 263,  
401/264, 266

See application file for complete search history.

(56) **References Cited**

**U.S. PATENT DOCUMENTS**

1,186,088 A \* 6/1916 Finlay ..... 401/207  
D197,327 S \* 1/1964 Murphy ..... D4/119  
3,359,589 A \* 12/1967 Moore ..... 15/210.1  
3,473,183 A \* 10/1969 Burns et al. .... 15/144.1  
D222,026 S \* 9/1971 Johnson ..... D4/137  
D223,881 S \* 6/1972 Belbow ..... D4/119

4,852,203 A \* 8/1989 LaBelle ..... 15/210.1  
D439,748 S \* 4/2001 Woodnorth et al. .... D4/137  
7,115,172 B1 \* 10/2006 Teodorovich ..... 134/6

**FOREIGN PATENT DOCUMENTS**

WO WO 00/37183 A1 \* 6/2000

\* cited by examiner

*Primary Examiner*—Melanie H Tung

*Assistant Examiner*—Lavone D Tabor

(74) *Attorney, Agent, or Firm*—Kelly Lowry & Kelley, LLP

(57) **CLAIM**

The ornamental design for a paint trimmer, as shown.

**DESCRIPTION**

FIG. 1 is a top and left side perspective view of my paint trimmer embodying my new design;

FIG. 2 is a front elevational view thereof;

FIG. 3 rear elevational view thereof;

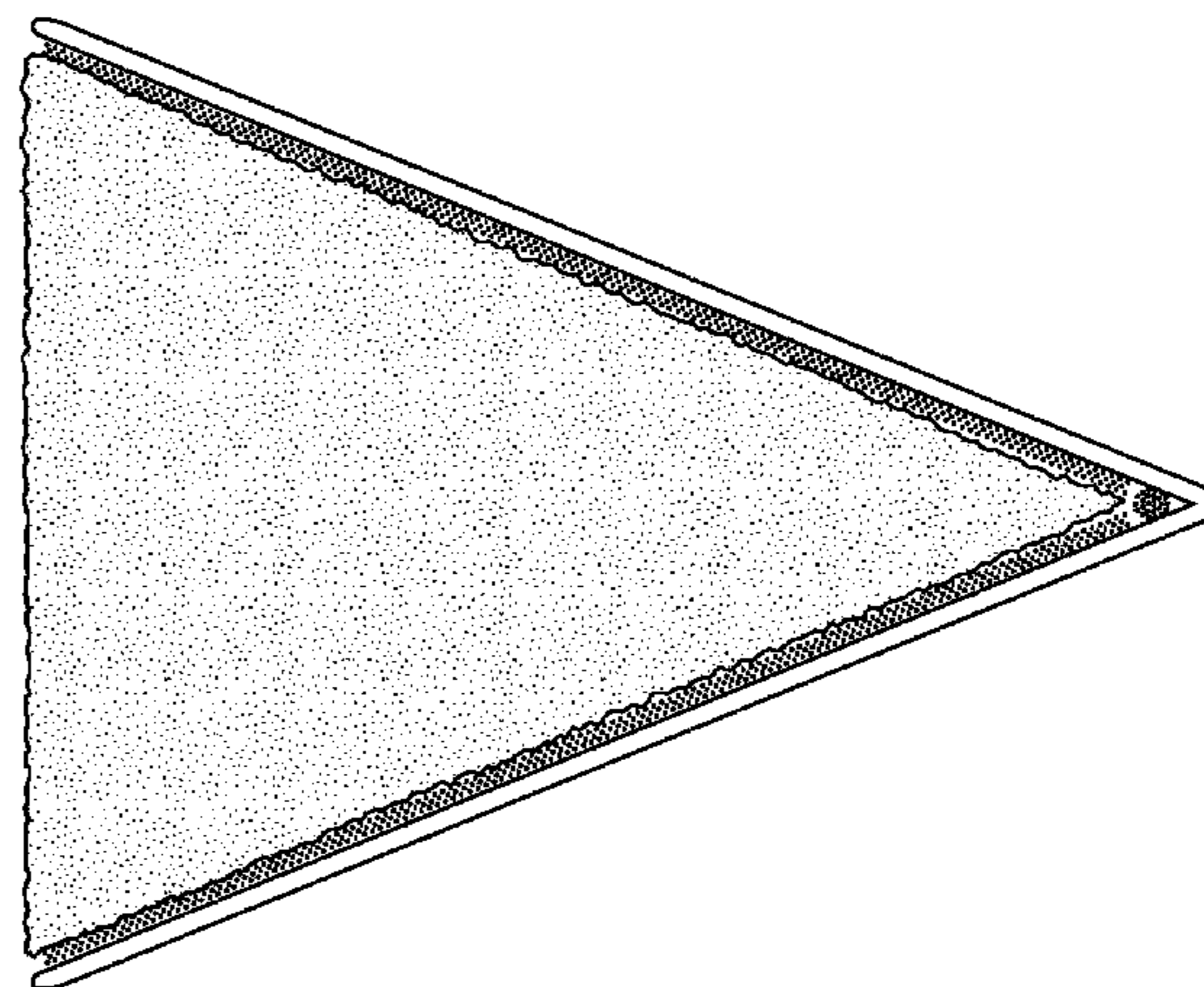
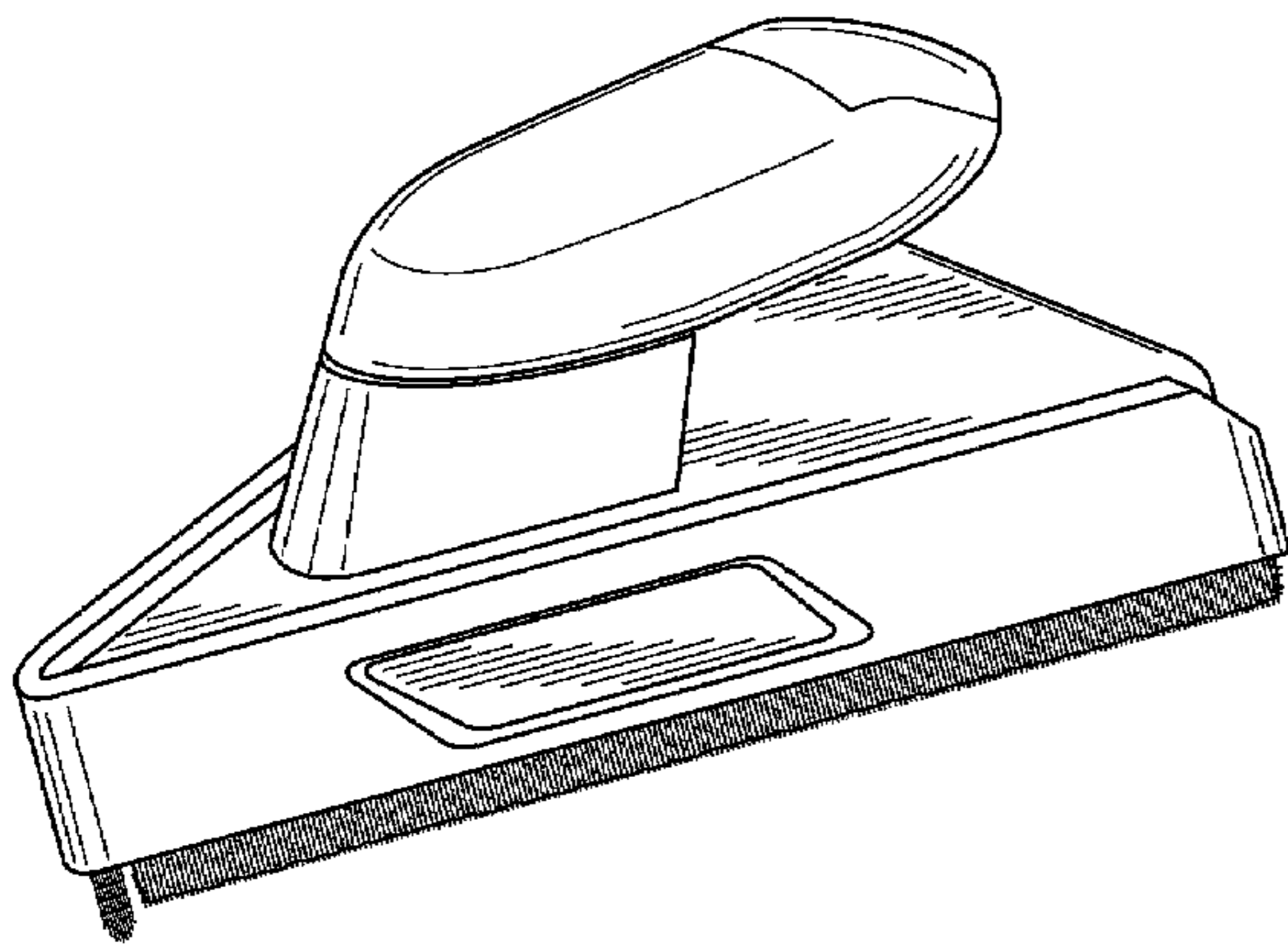
FIG. 4 a left side elevational view thereof;

FIG. 5 a right side elevational view thereof;

FIG. 6 is a top plan view thereof; and,

FIG. 7 is a bottom plan view thereof.

**1 Claim, 2 Drawing Sheets**



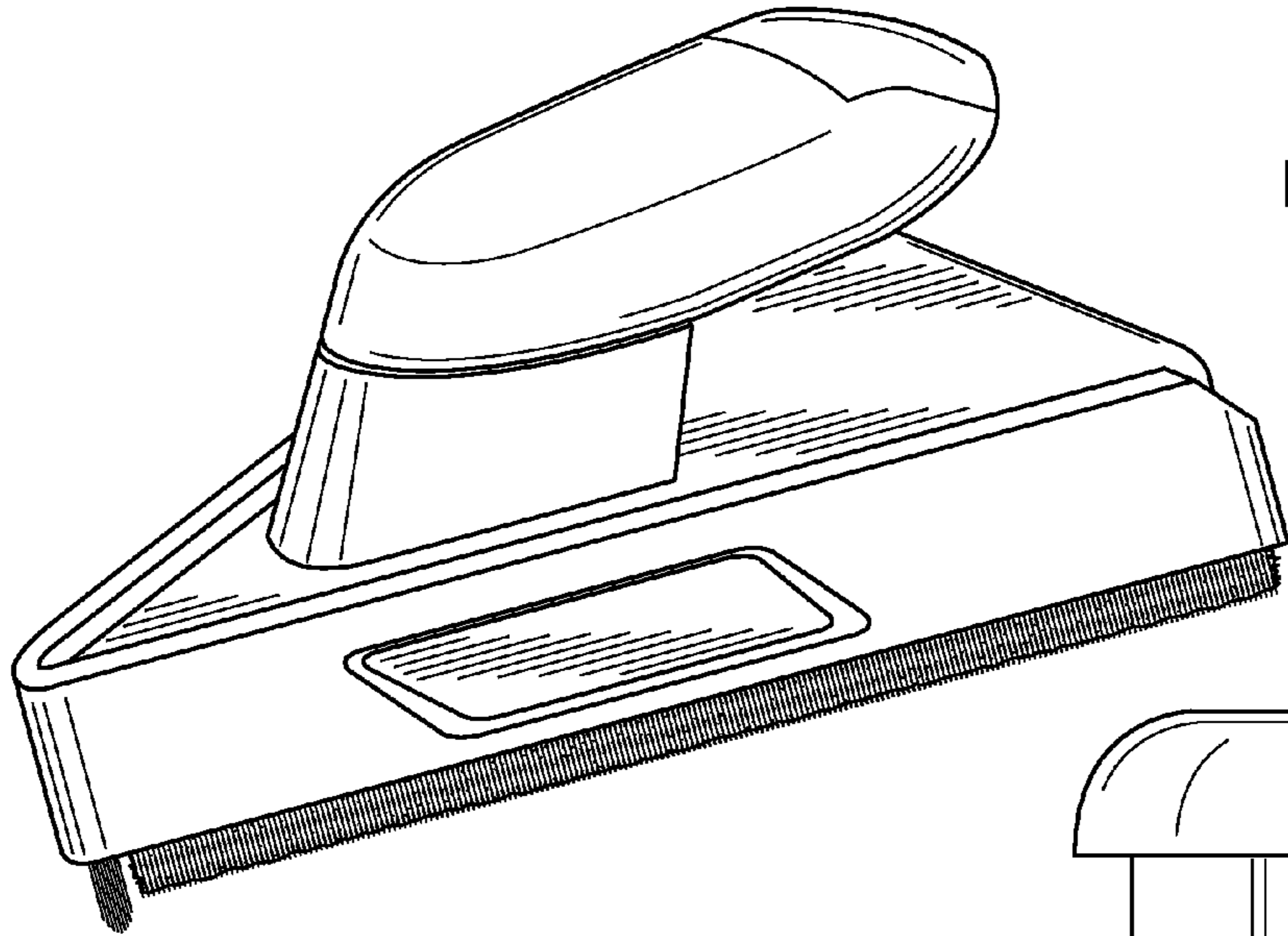


FIG. 1

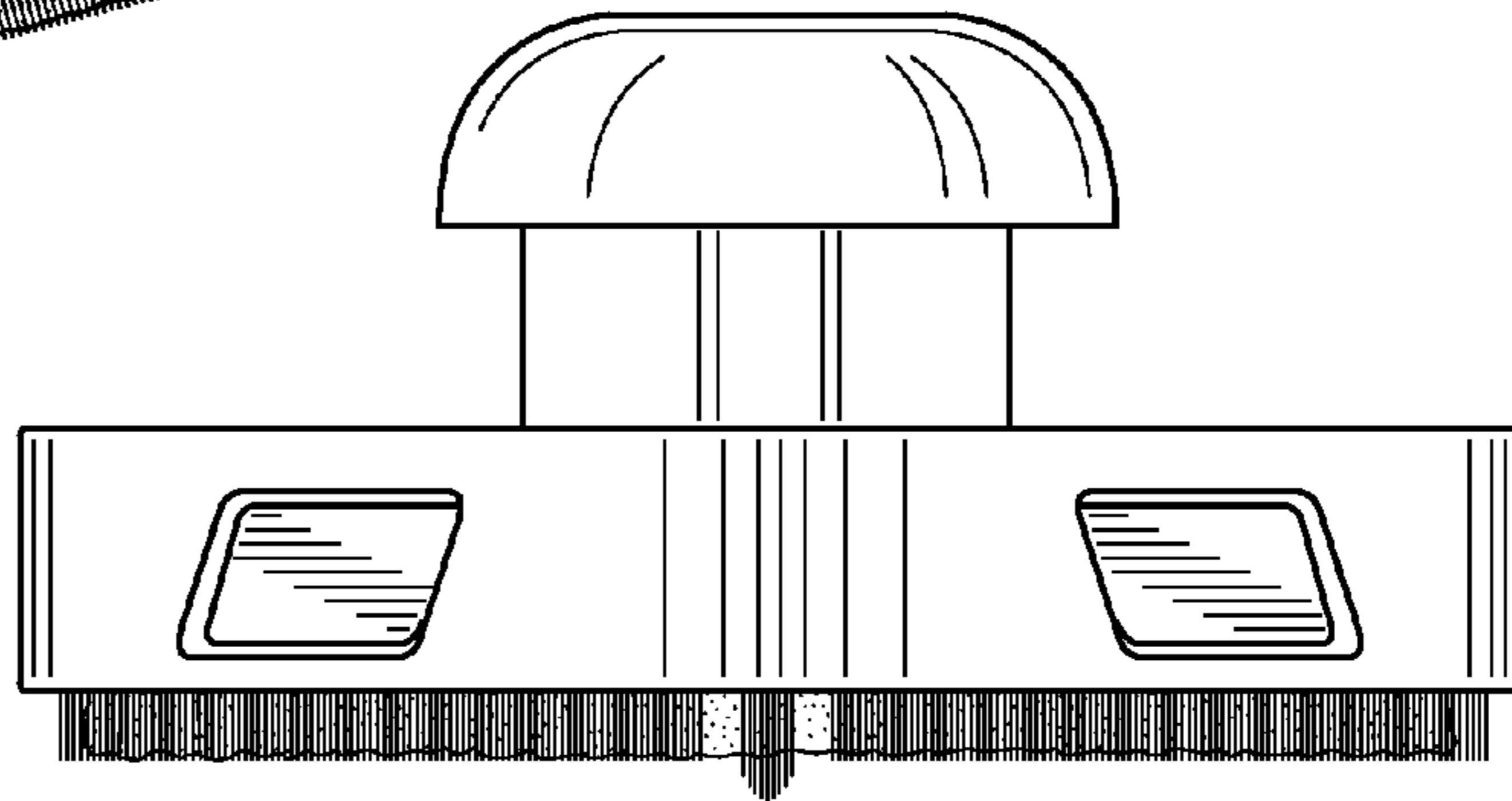


FIG. 2

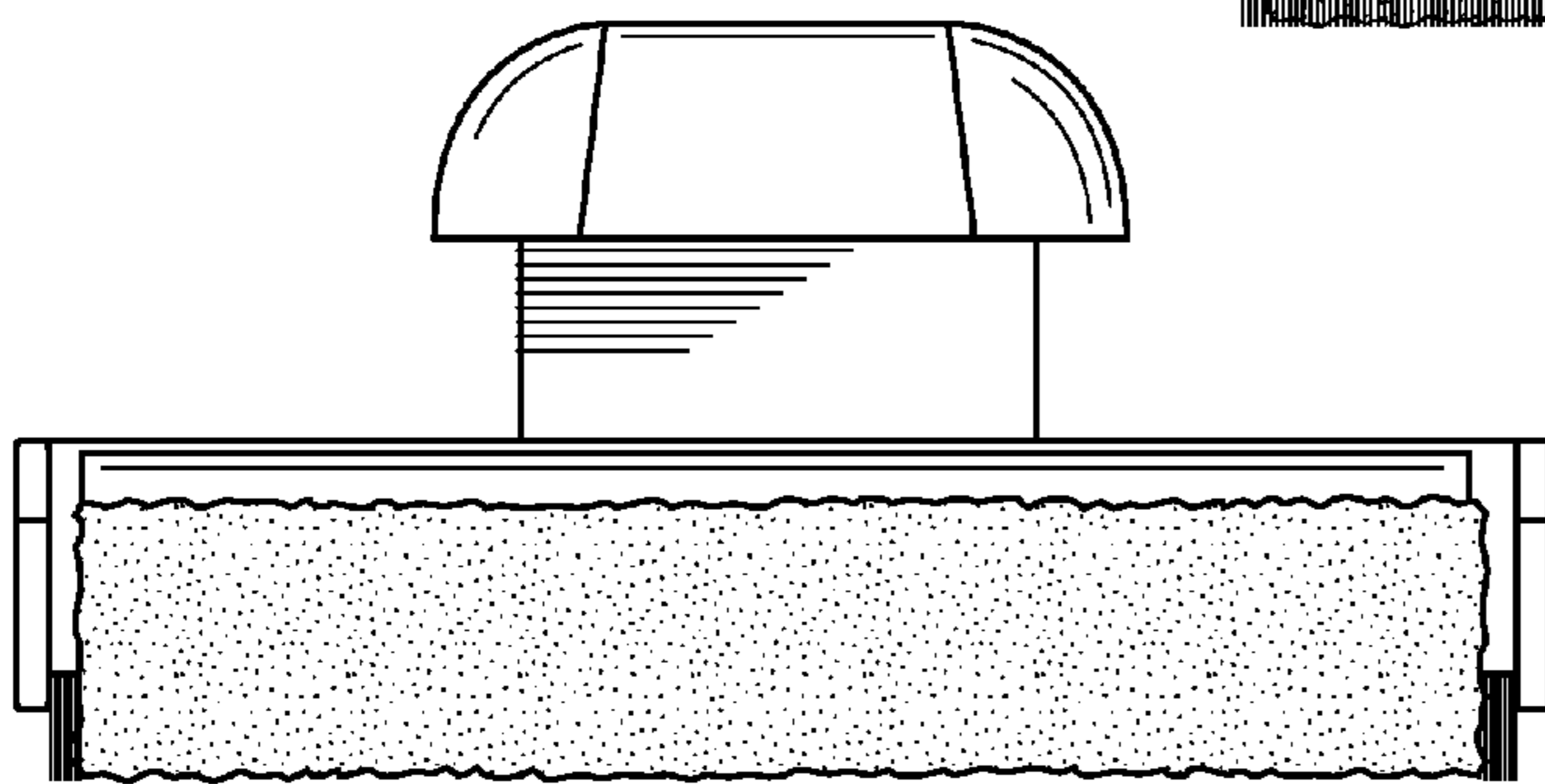


FIG. 3

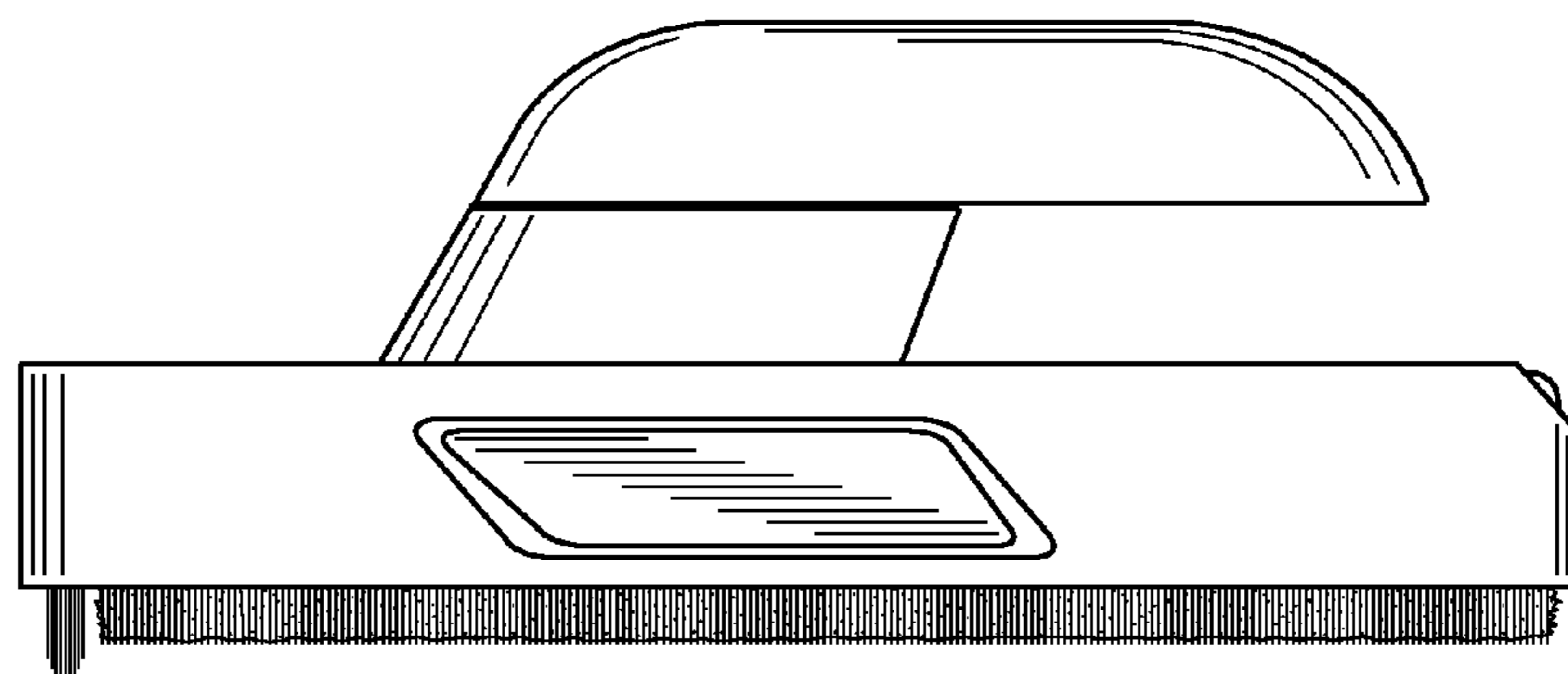


FIG. 4

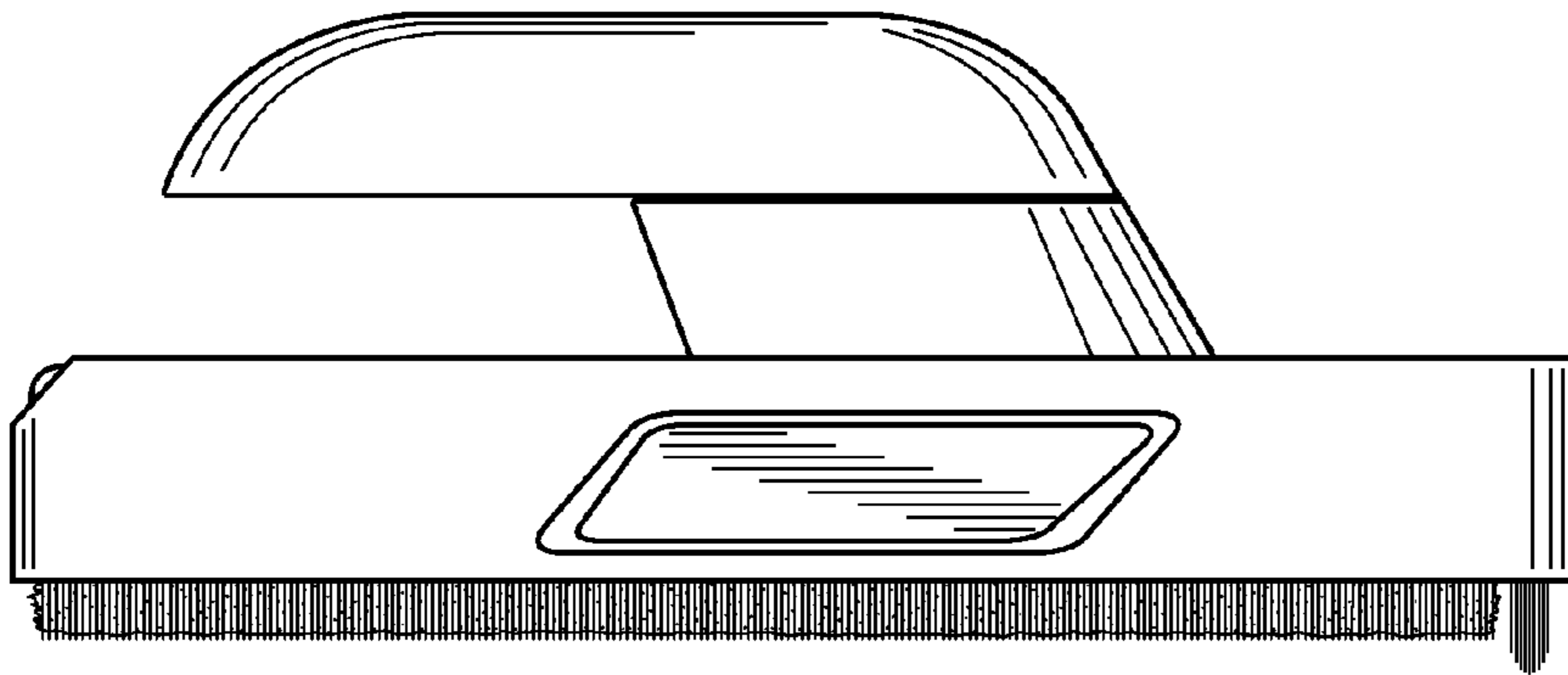


FIG. 5

FIG. 6

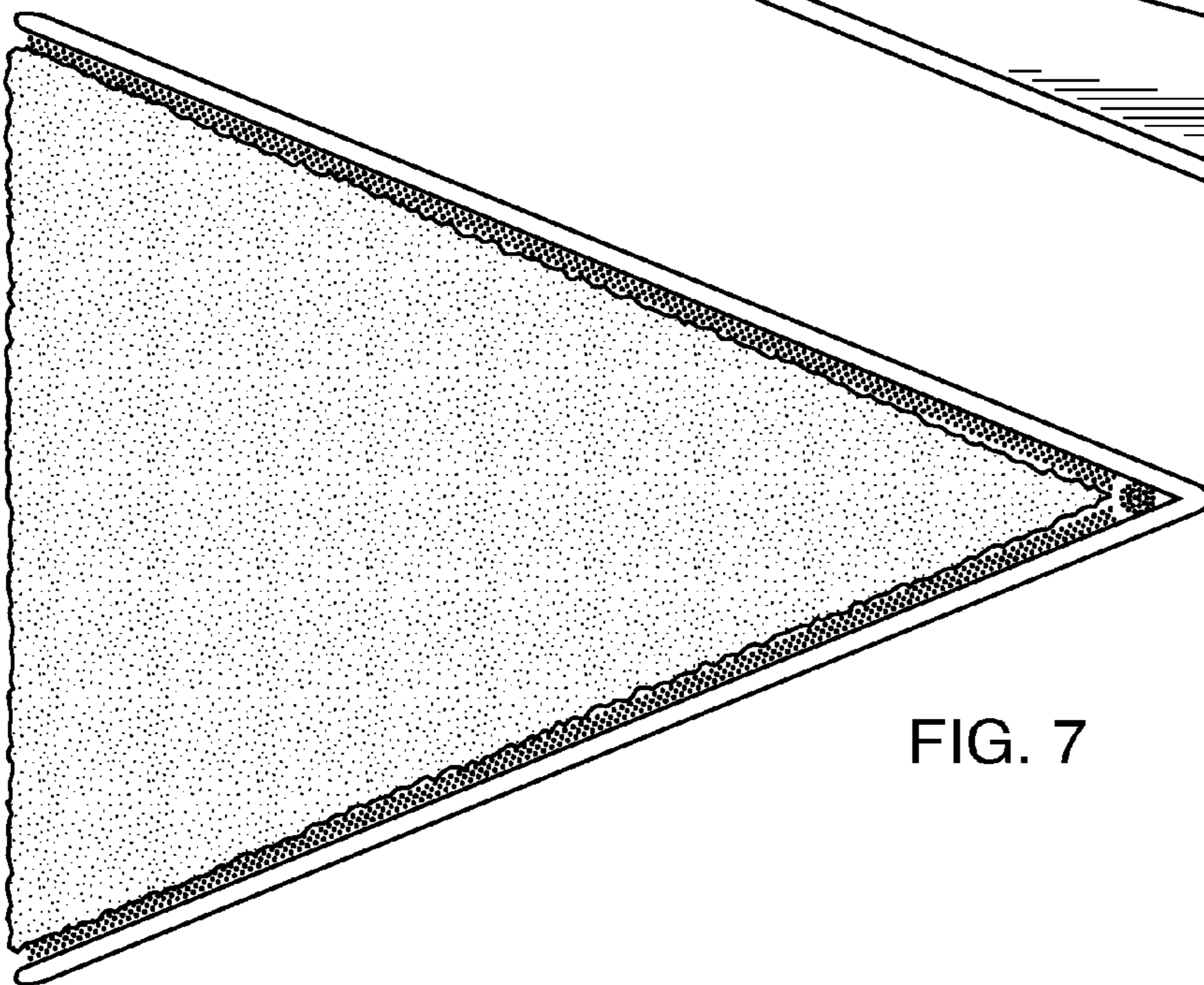
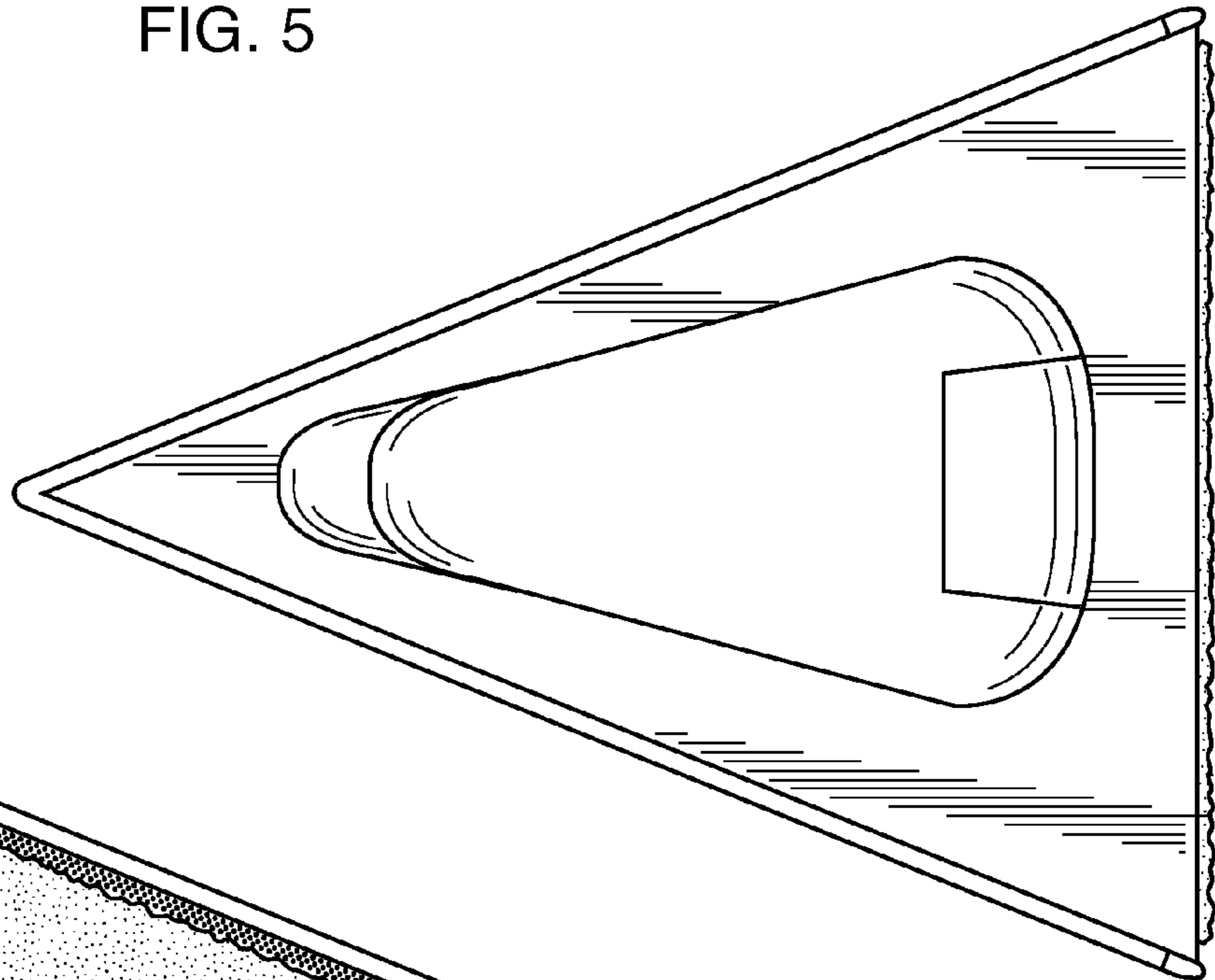


FIG. 7