



US00D592401S

(12) **United States Design Patent**  
**Beavers et al.**

(10) **Patent No.:** **US D592,401 S**  
(45) **Date of Patent:** **\*\* May 19, 2009**

(54) **CONTAINER**

(75) Inventors: **Brooke Beavers**, Dallas, TX (US); **Lynn Phillips**, Bedford, TX (US); **Bruce Teitelbaum**, New York, NY (US)

(73) Assignee: **Mary Kay Inc.**, Dallas, TX (US)

(\*\*) Term: **14 Years**

(21) Appl. No.: **29/297,873**

(22) Filed: **Nov. 20, 2007**

(51) **LOC (9) Cl.** ..... **03-01**

(52) **U.S. Cl.** ..... **D3/304**

(58) **Field of Classification Search** ..... D3/200,  
D3/201, 203.1, 203.3, 205–206, 273, 276,  
D3/304–315; D6/525, 475–476; D19/75,  
D19/77, 86, 90, 92, 100; 206/203, 214–215,  
206/822, 307.1; 229/100, 914, 913, 406  
See application file for complete search history.

D293,943 S	1/1988	Wadsworth et al. ....	D28/76
D296,630 S	7/1988	Renold et al. ....	D6/468
5,025,934 A	6/1991	Vogel .....	211/69.5
D320,730 S	10/1991	Ediger et al. ....	D6/469
D322,731 S	12/1991	Willie .....	D6/524
D325,307 S	4/1992	Cojan .....	D6/469
D326,749 S *	6/1992	Apps et al. ....	D3/311
5,163,549 A	11/1992	Hayduchok .....	206/214
5,222,604 A	6/1993	Tiramani .....	206/581
D342,585 S	12/1993	Fischbach et al. ....	D28/38
D343,106 S	1/1994	Eklind et al. ....	D6/468
5,312,000 A	5/1994	Bass .....	211/4
D347,908 S	6/1994	Downard .....	D28/61
5,358,101 A	10/1994	Lombardi .....	206/45.16
D357,281 S	4/1995	van Eijben et al. ....	D19/85
5,441,153 A	8/1995	Lahaye .....	206/581
D363,365 S	10/1995	Beaudoin et al. ....	D28/73
D366,730 S	1/1996	Chen .....	D28/86

(Continued)

*Primary Examiner*—T. Chase Nelson  
*Assistant Examiner*—Eric L Goodman  
(74) *Attorney, Agent, or Firm*—Fulbright & Jaworski L.L.P.

(56) **References Cited**

U.S. PATENT DOCUMENTS

D101,154 S	9/1936	Woodfield .....	D7/707
D126,052 S	3/1941	Petzold .....	D28/9
D167,937 S	10/1952	Friedel .....	D19/85
D191,247 S	8/1961	McWilliams .....	D74/21
3,456,806 A	7/1969	Borsten .....	211/60
3,499,540 A	3/1970	Huncovsky .....	211/60
3,528,558 A	9/1970	Williams .....	211/49
3,593,856 A	7/1971	Zander .....	211/69.5
3,638,664 A	2/1972	Cohn .....	139/79
3,840,171 A	10/1974	Waters .....	229/28
D247,123 S	1/1978	Benes .....	D28/86
4,155,446 A	5/1979	Aronson .....	206/45.14
D282,128 S	1/1986	Bell et al. ....	D6/469
4,610,348 A	9/1986	Dailey .....	206/45.19
D287,538 S	12/1986	Sussman .....	D28/73
D288,012 S	1/1987	Sussman .....	D28/86
D289,863 S	5/1987	Pecoff .....	D11/155

(57) **CLAIM**

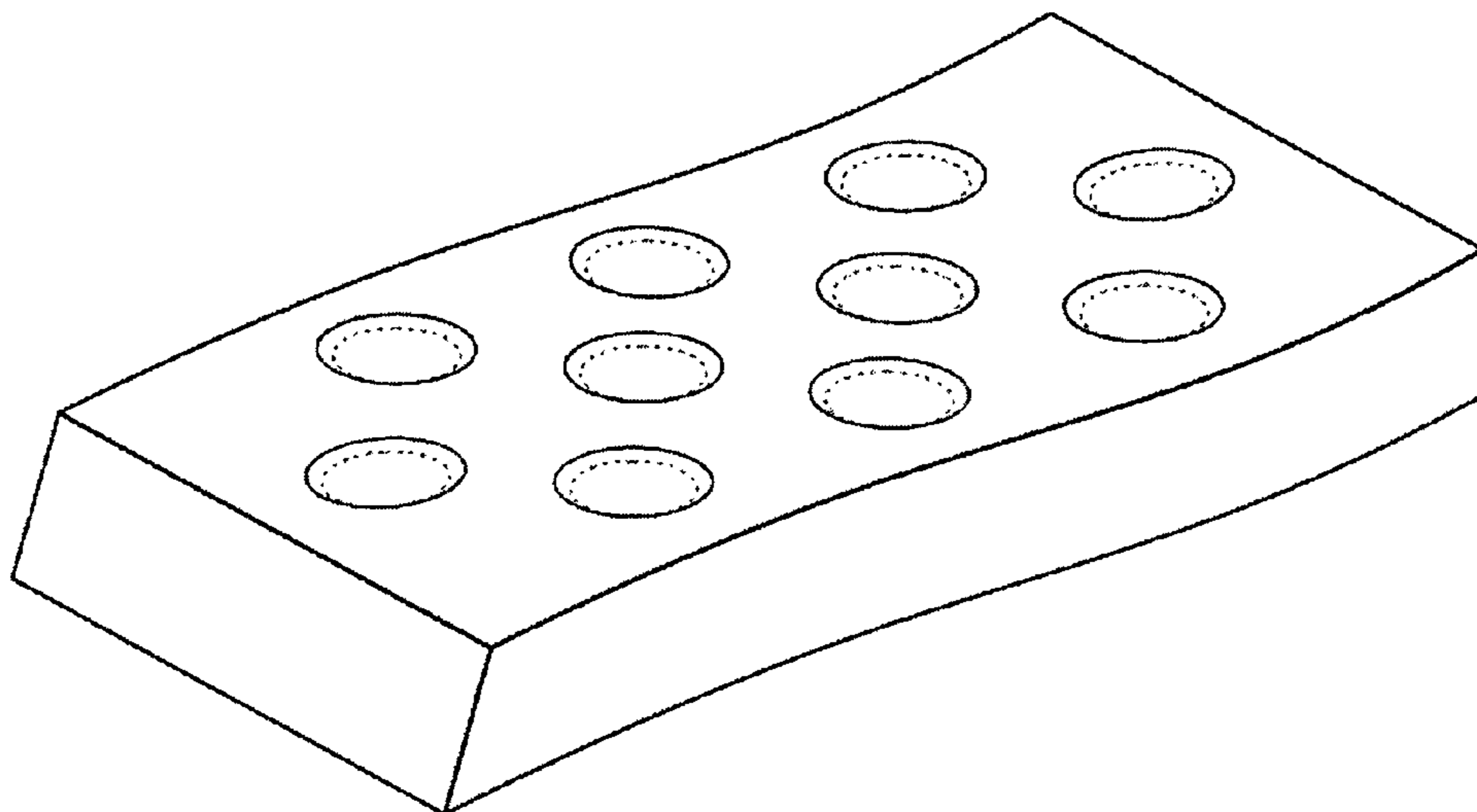
The ornamental design for a container, as shown and described.

**DESCRIPTION**

FIG. 1 is a top front perspective view of our design;  
FIG. 2 is a right side view of the design;  
FIG. 3 is a left side view of the design;  
FIG. 4 is a front view of the design;  
FIG. 5 is a back view of the design; and,  
FIG. 6 is a top view of the design.

The broken lines in the figure views depict environmental structure and portions of the container that form no part of the claimed design.

**1 Claim, 2 Drawing Sheets**



# US D592,401 S

Page 2

## U.S. PATENT DOCUMENTS

D367,948 S	3/1996	Hsu	.....	D28/73	6,603,550 B1	8/2003	Flynn et al.	.....	356/402
5,544,764 A	8/1996	Cima	.....	211/60.1	D487,170 S	2/2004	Petrucelli	.....	D28/73
5,622,264 A	4/1997	Wetterlund	.....	206/765	6,685,023 B2	2/2004	Bleggi et al.	.....	206/493
D381,687 S	7/1997	Skoko	.....	D19/85	6,742,654 B2	6/2004	Tompkins	.....	206/459.5
D387,498 S	12/1997	Sussman	.....	D28/73	D494,384 S	8/2004	Chandaria	.....	D6/468
D388,905 S	1/1998	Wells	.....	D28/73	D494,793 S *	8/2004	Winkleman	.....	D6/525
D396,133 S	7/1998	Stein	.....	D28/73	D495,880 S	9/2004	Warren, III	.....	D3/313
D397,360 S *	8/1998	Cheris et al.	.....	D19/75	6,796,431 B1	9/2004	Goldring	.....	206/581
D398,078 S	9/1998	Hsu	.....	D28/73	6,857,526 B2	2/2005	Volmer	.....	211/65
D407,243 S	3/1999	Thoesen	.....	D6/469	6,877,619 B1	4/2005	Han	.....	211/65
D420,533 S	2/2000	Pugatch	.....	D6/469	D515,941 S *	2/2006	Hamblin et al.	.....	D9/756
D428,744 S *	8/2000	Patel et al.	.....	D6/525	6,997,321 B2	2/2006	Young	.....	206/581
6,109,446 A	8/2000	Foote	.....	206/759	D525,657 S	7/2006	Warren, III	.....	D19/77
6,336,564 B1	1/2002	Garnier	.....	211/162	D536,905 S	2/2007	Raile	.....	D6/467
D454,982 S	3/2002	Renfrew	.....	D28/73	7,172,716 B2	2/2007	Swaab	.....	264/40.4
6,354,447 B1	3/2002	Brown	.....	211/60.1	D538,535 S *	3/2007	Boutin	.....	D3/304
D458,774 S	6/2002	Chao	.....	D6/469	7,228,966 B1	6/2007	Turner	.....	206/385
D461,333 S *	8/2002	Malik	.....	D6/465	7,228,976 B2	6/2007	Pretorius	.....	211/65
D469,926 S	2/2003	Petrucelli	.....	D28/73	7,299,922 B2	11/2007	Ceballos	.....	206/362.1
D469,927 S	2/2003	Petrucelli	.....	D28/73	2003/0116516 A1	6/2003	Belokin et al.	.....	211/88.01
D472,736 S	4/2003	Moore	.....	D6/469	2005/0150808 A1	7/2005	Sarna et al.	.....	422/104
D473,733 S *	4/2003	Malik	.....	D6/465	2006/0151408 A1	7/2006	Gaynor	.....	211/74

\* cited by examiner

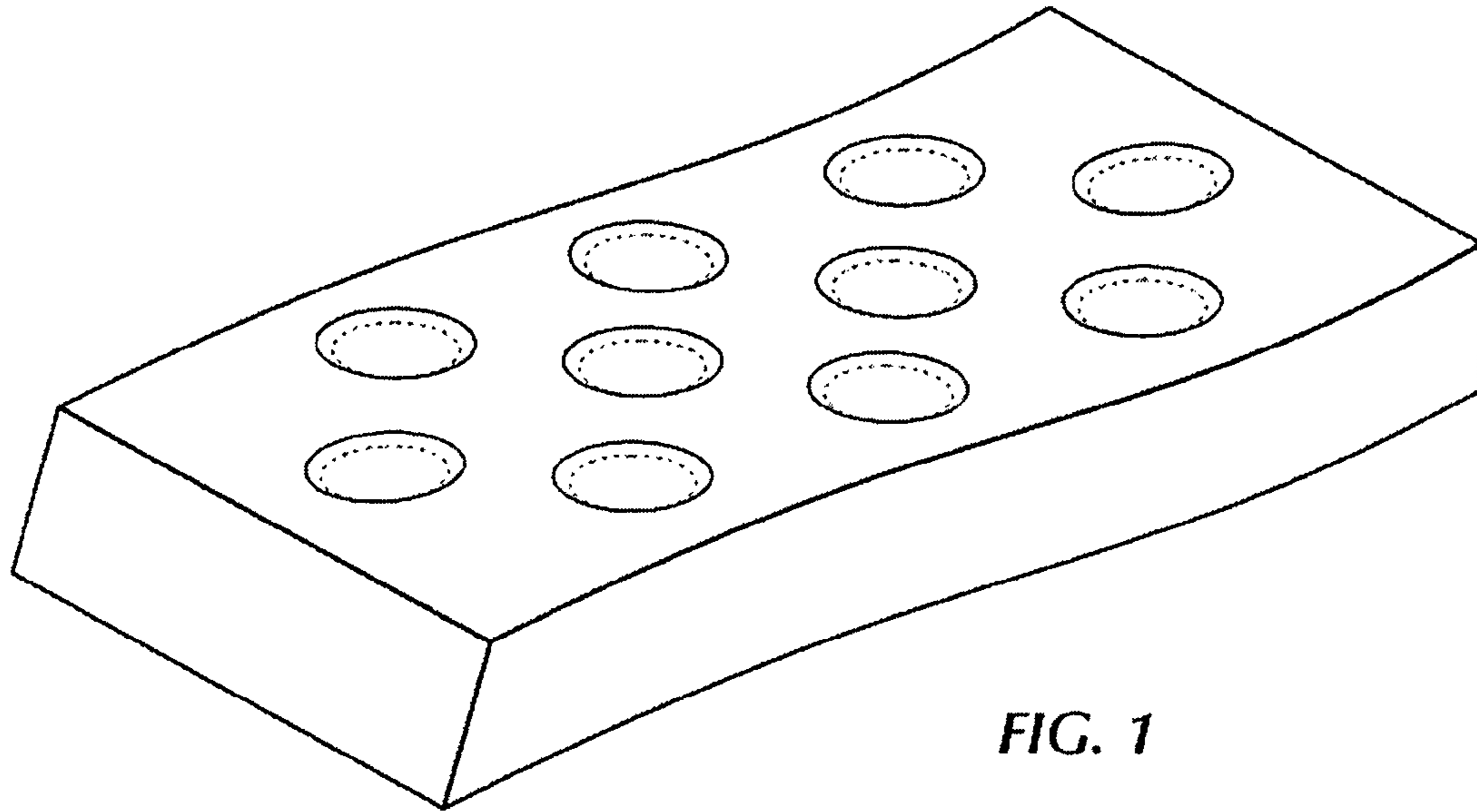


FIG. 1



FIG. 2

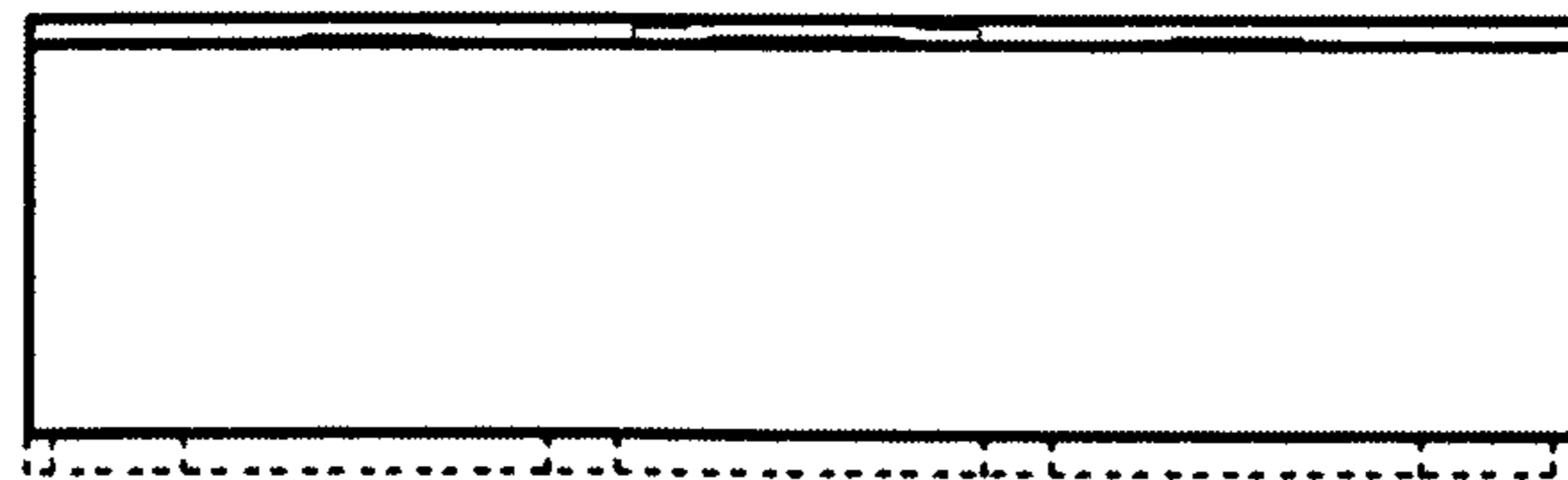
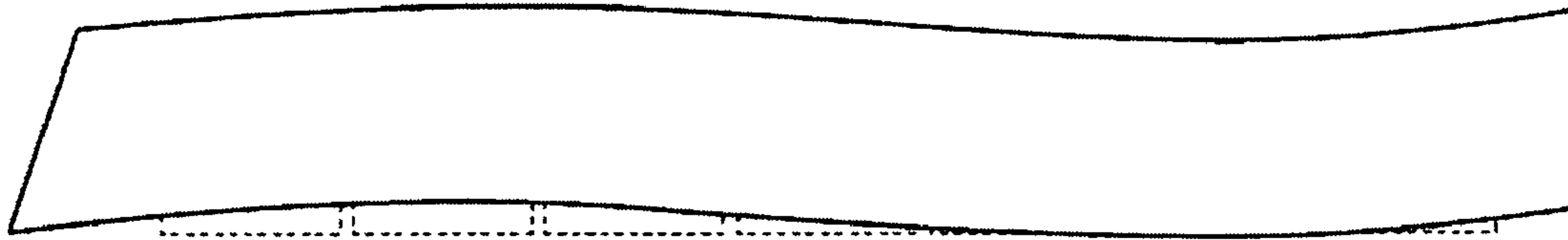
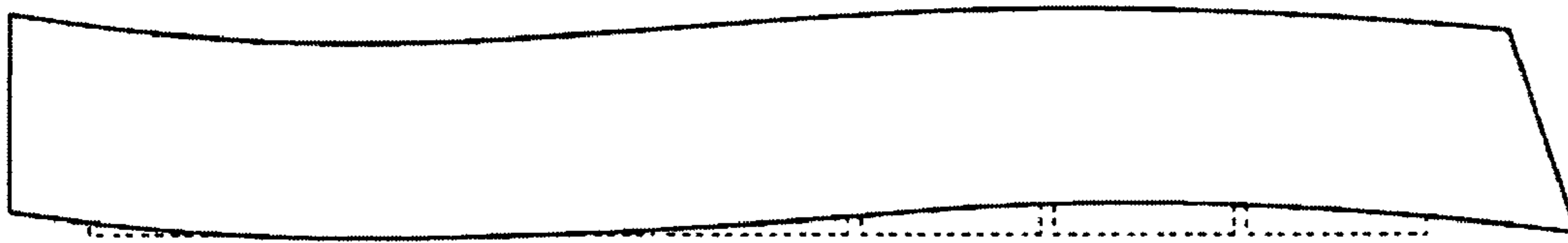


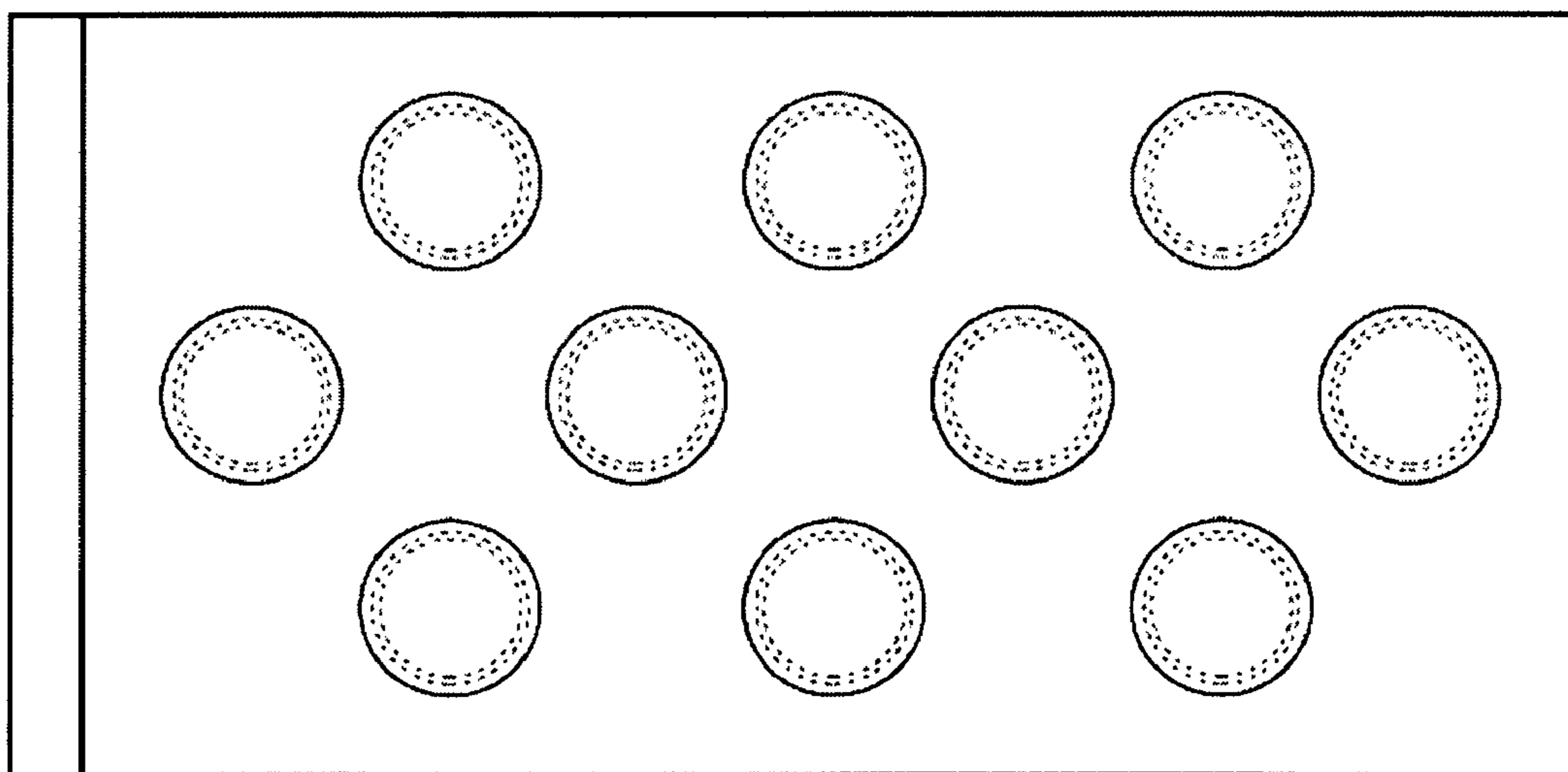
FIG. 3



**FIG. 4**



**FIG. 5**



**FIG. 6**