



US00D592395S

(12) **United States Design Patent**
Tuck

(10) **Patent No.:** **US D592,395 S**

(45) **Date of Patent:** **** May 19, 2009**

(54) **BEVERAGE HOLDER**

(76) Inventor: **Keith Ladonywon Tuck**, 2208 Bellgate Ct., Montgomery, AL (US) 36116

(**) Term: **14 Years**

(21) Appl. No.: **29/285,916**

(22) Filed: **Apr. 16, 2007**

(51) **LOC (9) Cl.** **03-01**

(52) **U.S. Cl.** **D3/229**

(58) **Field of Classification Search** D3/202,
D3/229, 315, 316; D34/12-14, 18; D7/601,
D7/605, 608, 619.1, 620; 224/148.1, 148.2,
224/148.3, 148.4, 148.5, 148.6, 148.7
See application file for complete search history.

(56) **References Cited**

U.S. PATENT DOCUMENTS

D195,341 S *	6/1963	Reymann	D34/13
D419,762 S *	2/2000	Riley	D3/229
D508,376 S *	8/2005	Bhavnani	D7/605
D514,893 S *	2/2006	Bellofatto et al.	D7/605

* cited by examiner

Primary Examiner—Catherine R Oliver
(74) *Attorney, Agent, or Firm*—Peter Loffler

(57) **CLAIM**

The ornamental design for a beverage holder, as shown and described.

DESCRIPTION

FIG. 1 is an exploded front perspective view of the beverage holder showing my new design;

FIG. 2 is an exploded rear perspective view thereof;

FIG. 3 is an exploded right side view thereof;

FIG. 4 is an exploded left side view thereof;

FIG. 5 is an exploded top plan view thereof;

FIG. 6 is an exploded bottom plan view thereof;

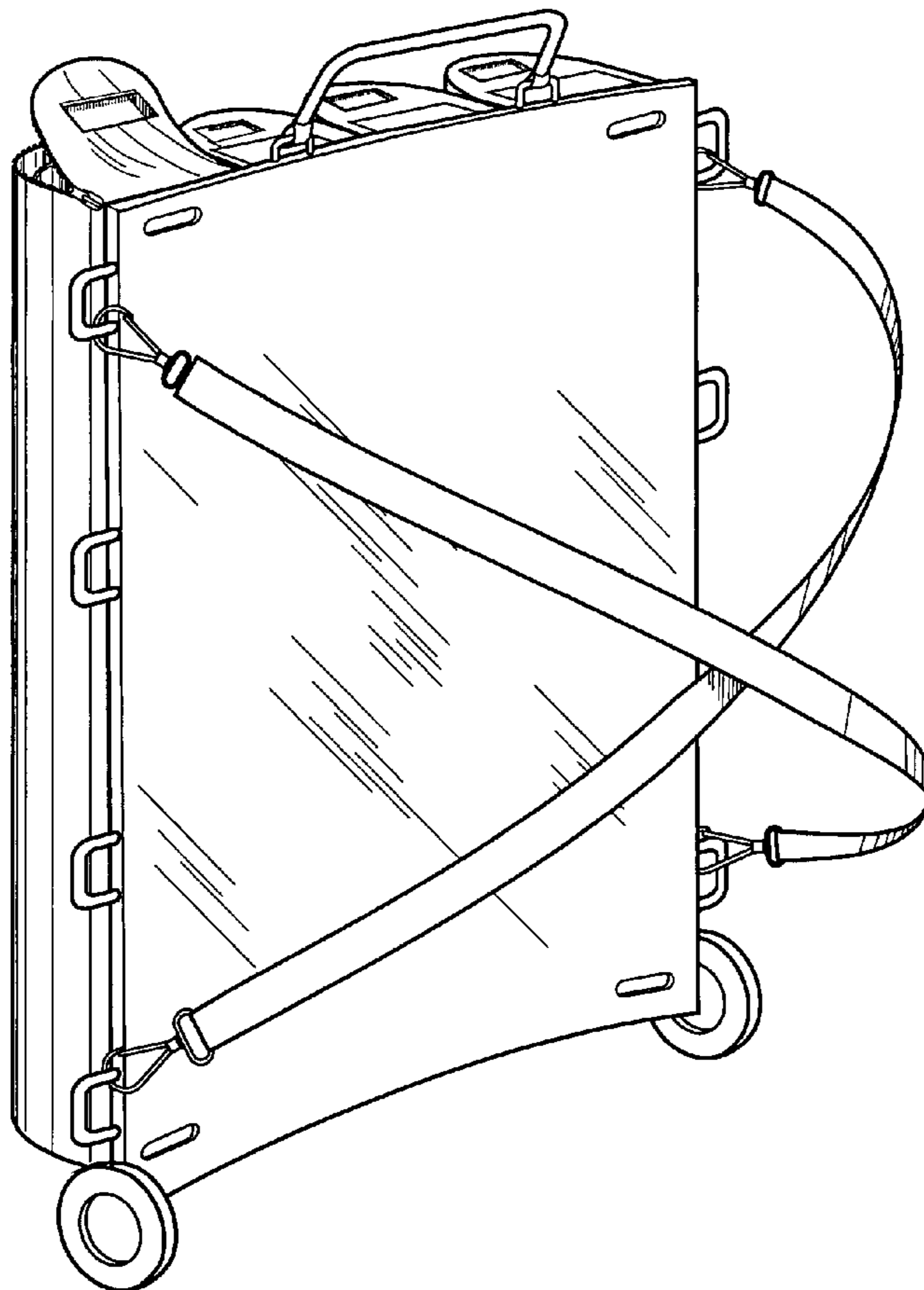
FIG. 7 is a rear perspective view, showing the attachment straps;

FIG. 8 is a rear perspective view, showing two attachment straps; and,

FIG. 9 is a side view, showing the beverage holder in use.

The beverage holder is characterized by convex compartments with a decorative cover.

1 Claim, 7 Drawing Sheets



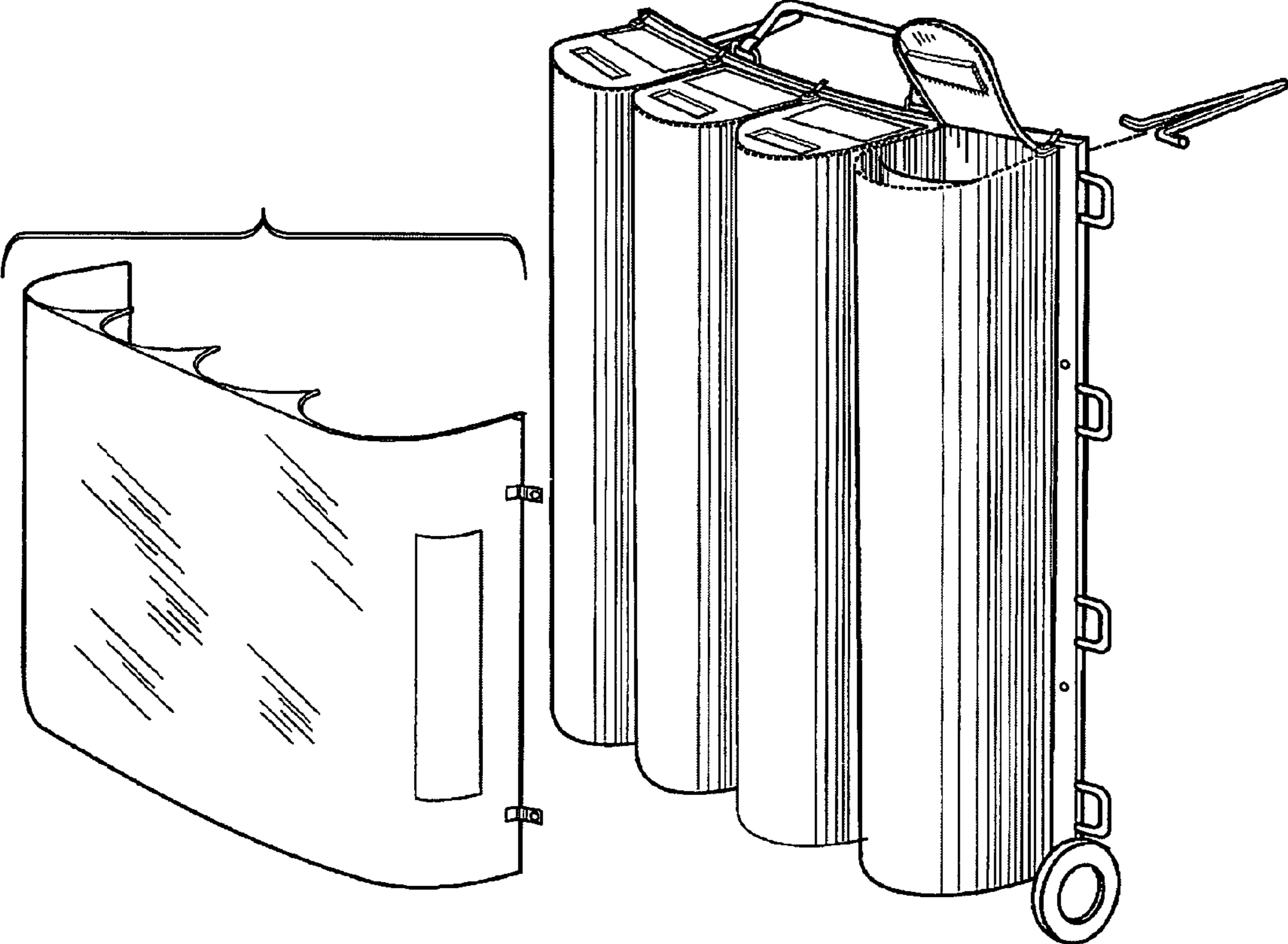


FIG 1

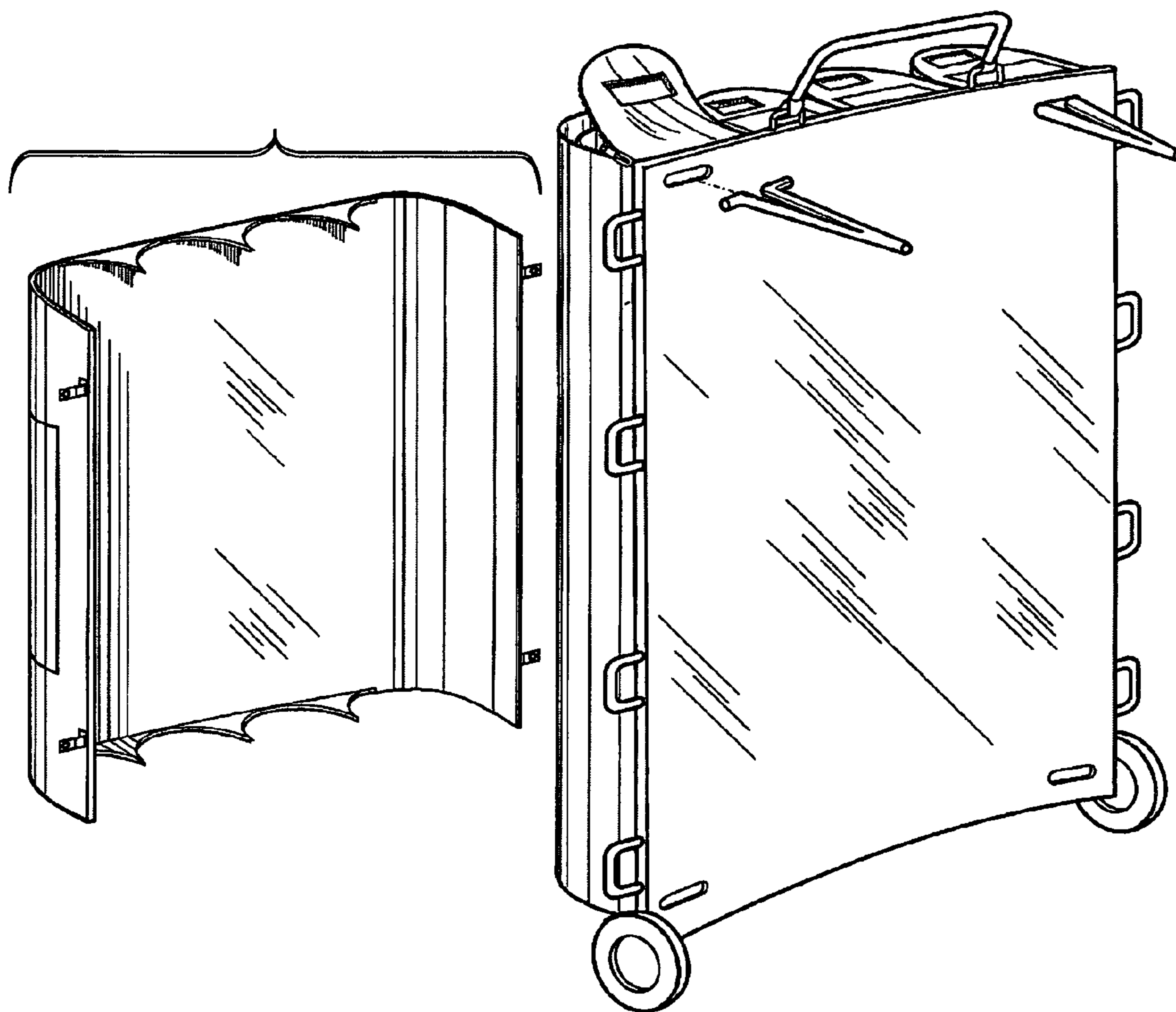
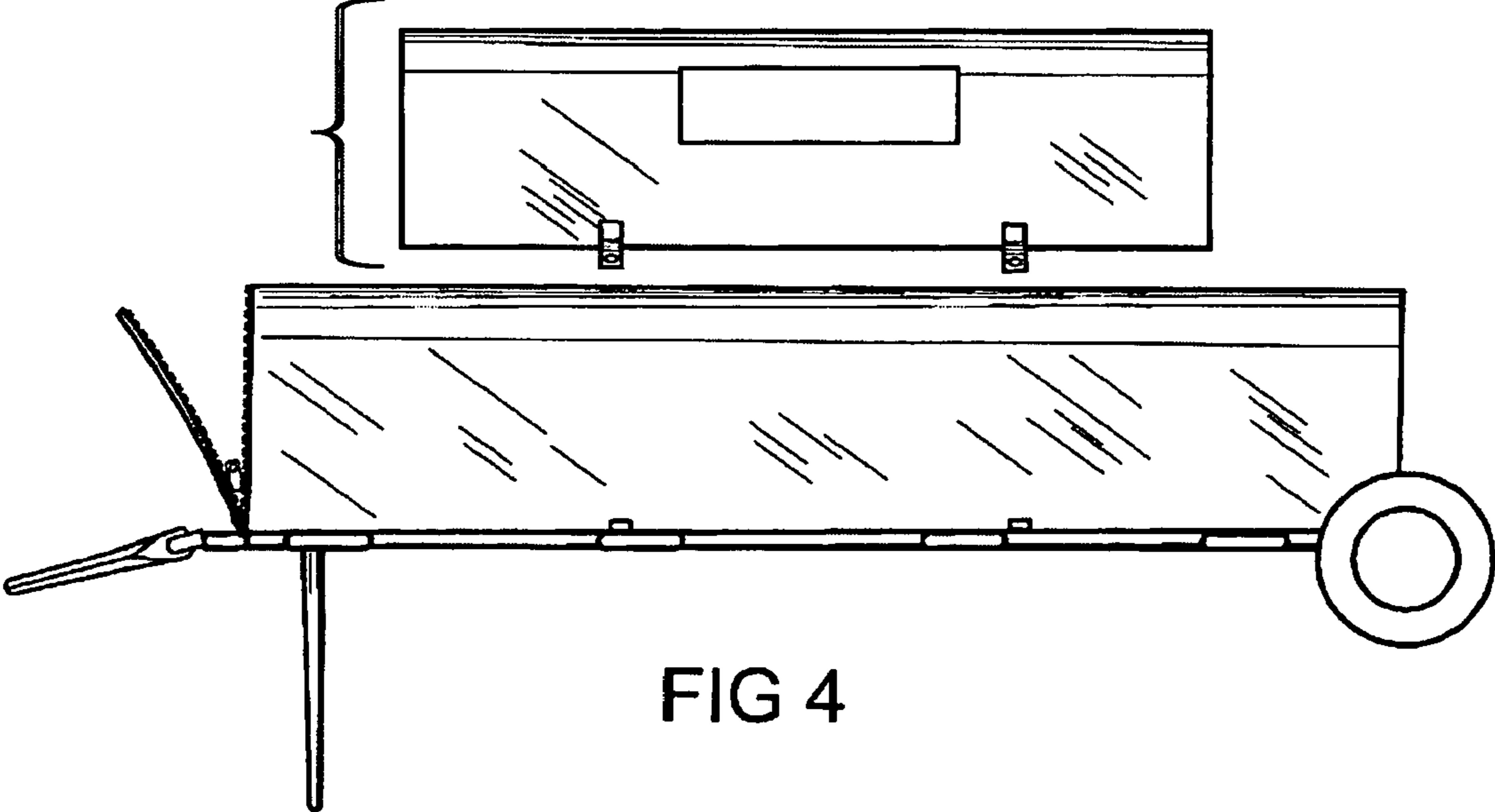
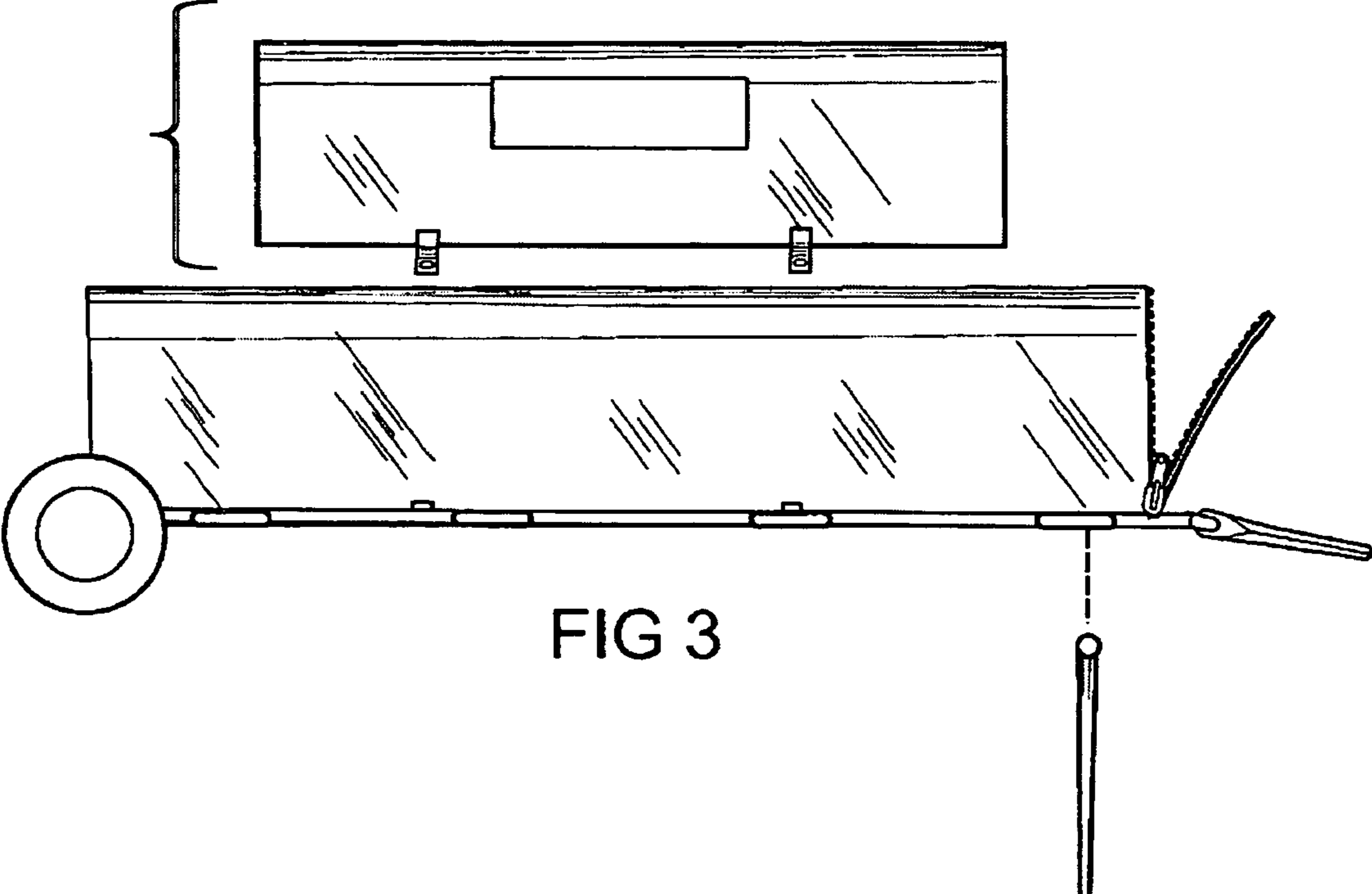


FIG 2



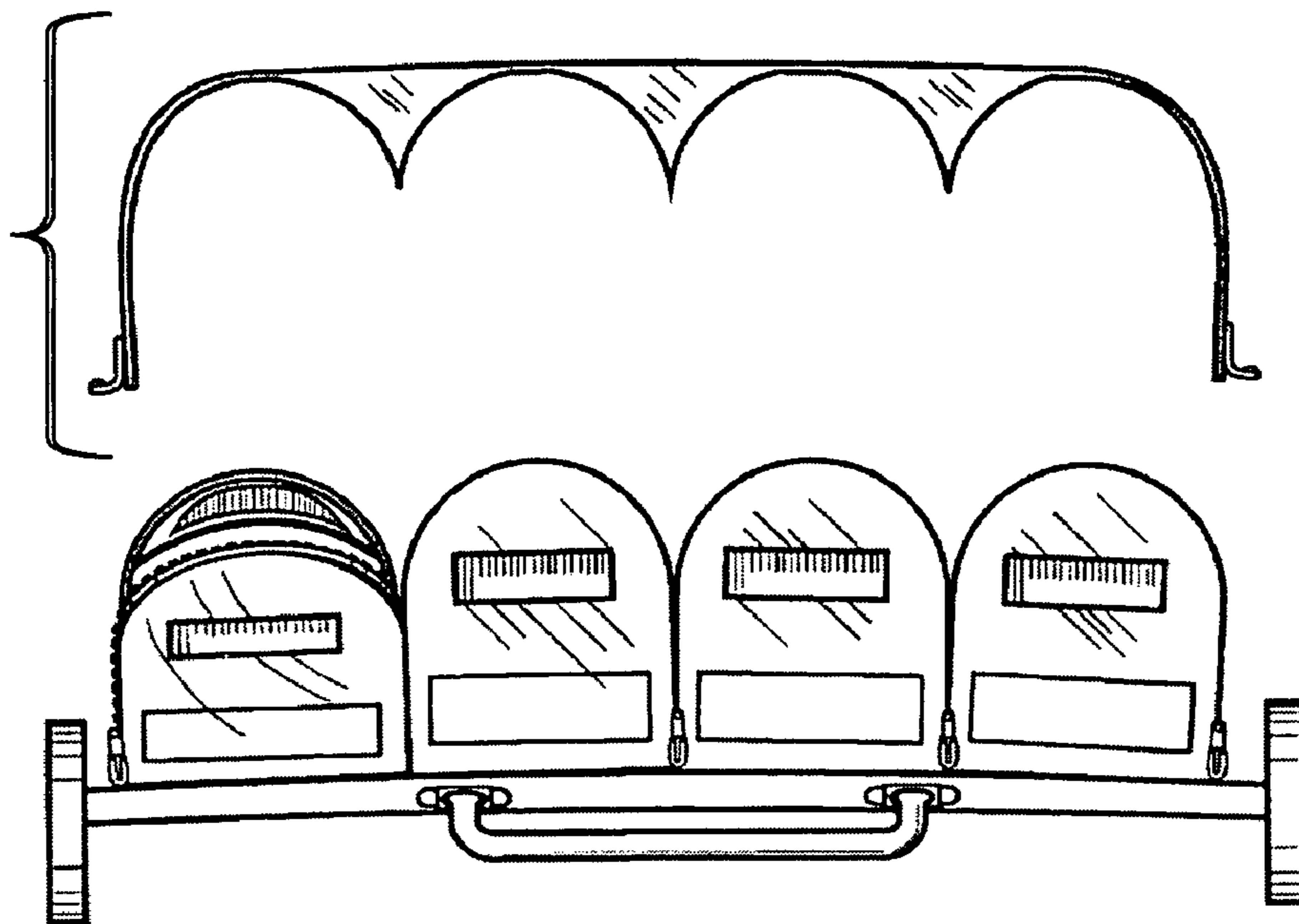


FIG 5

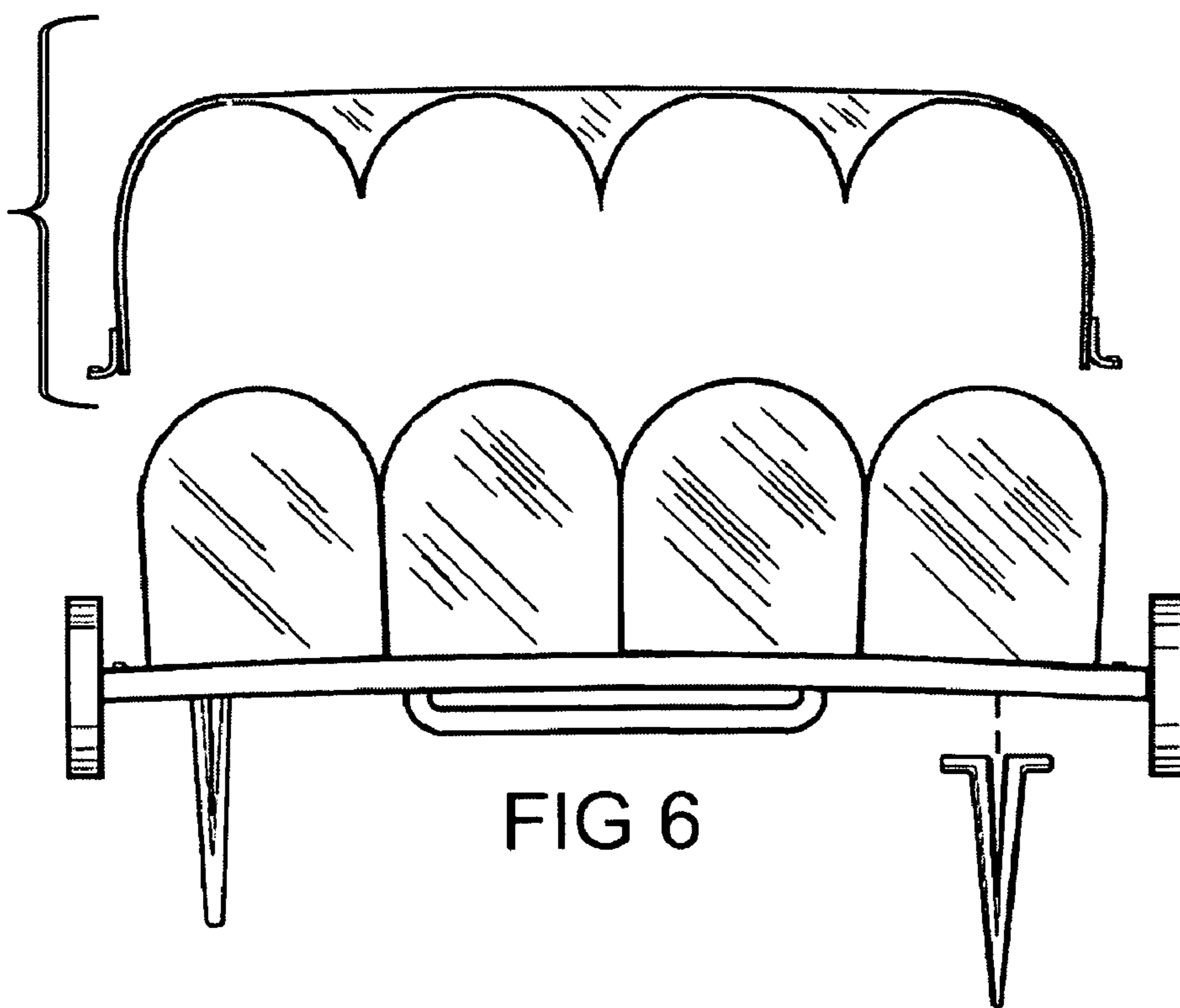


FIG 6

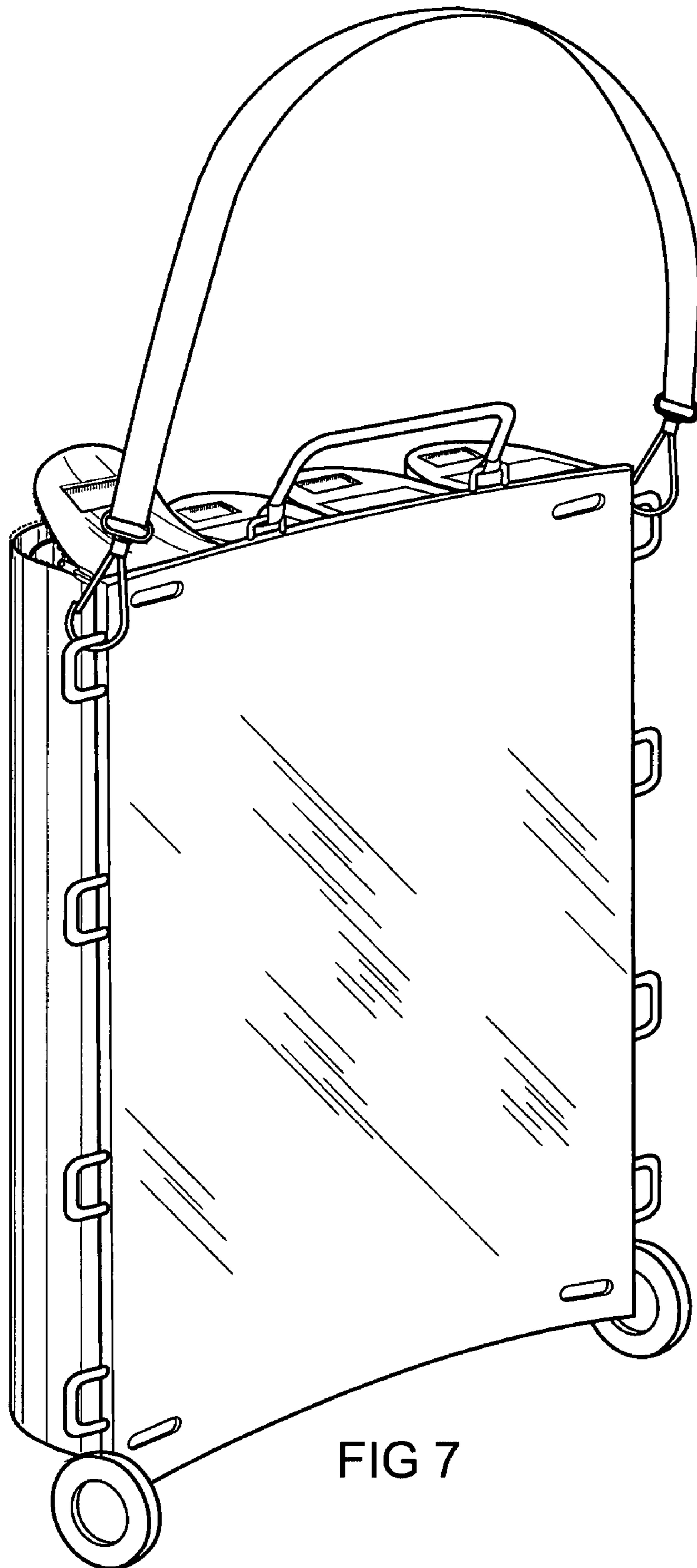


FIG 7

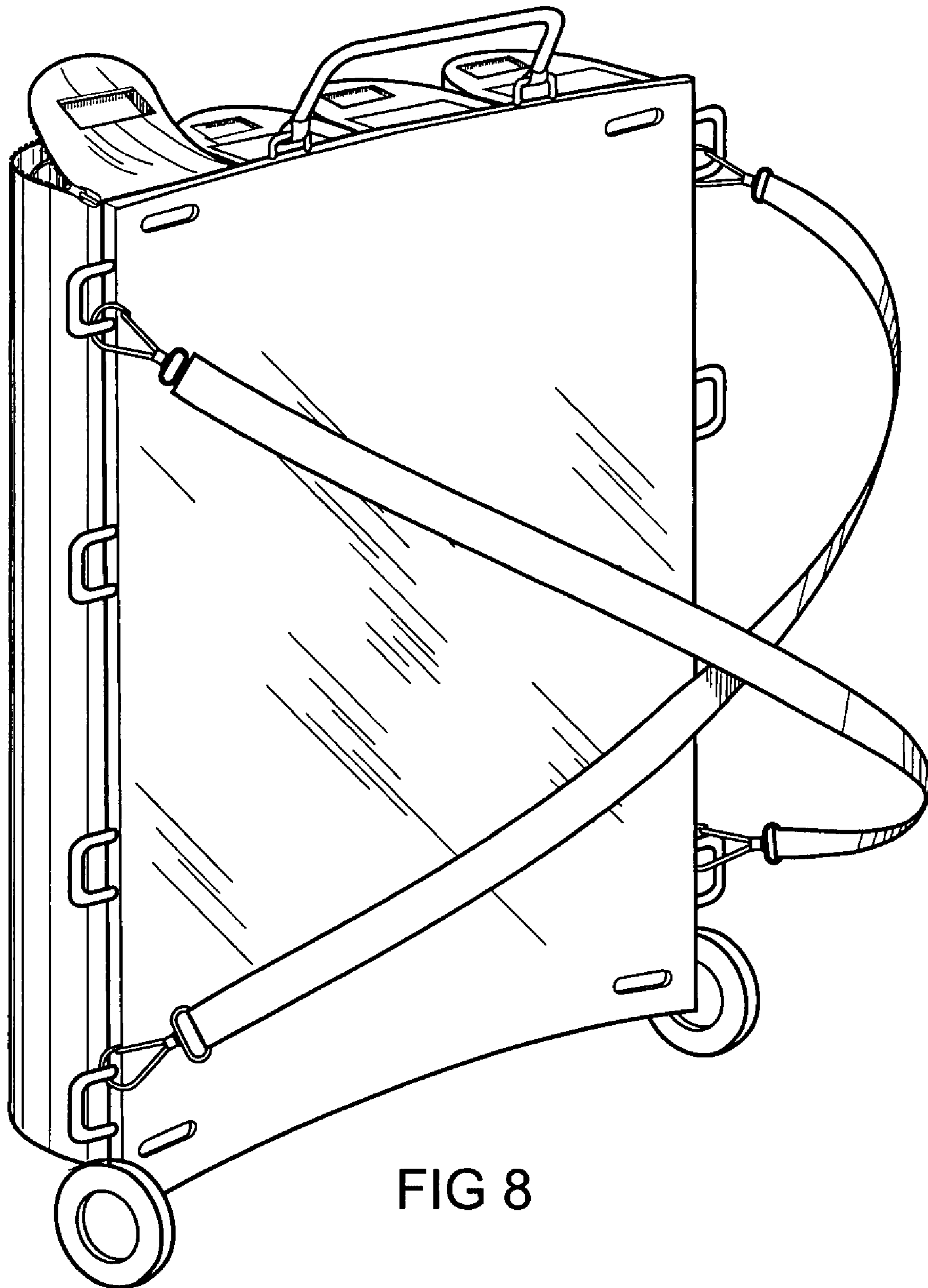


FIG 8

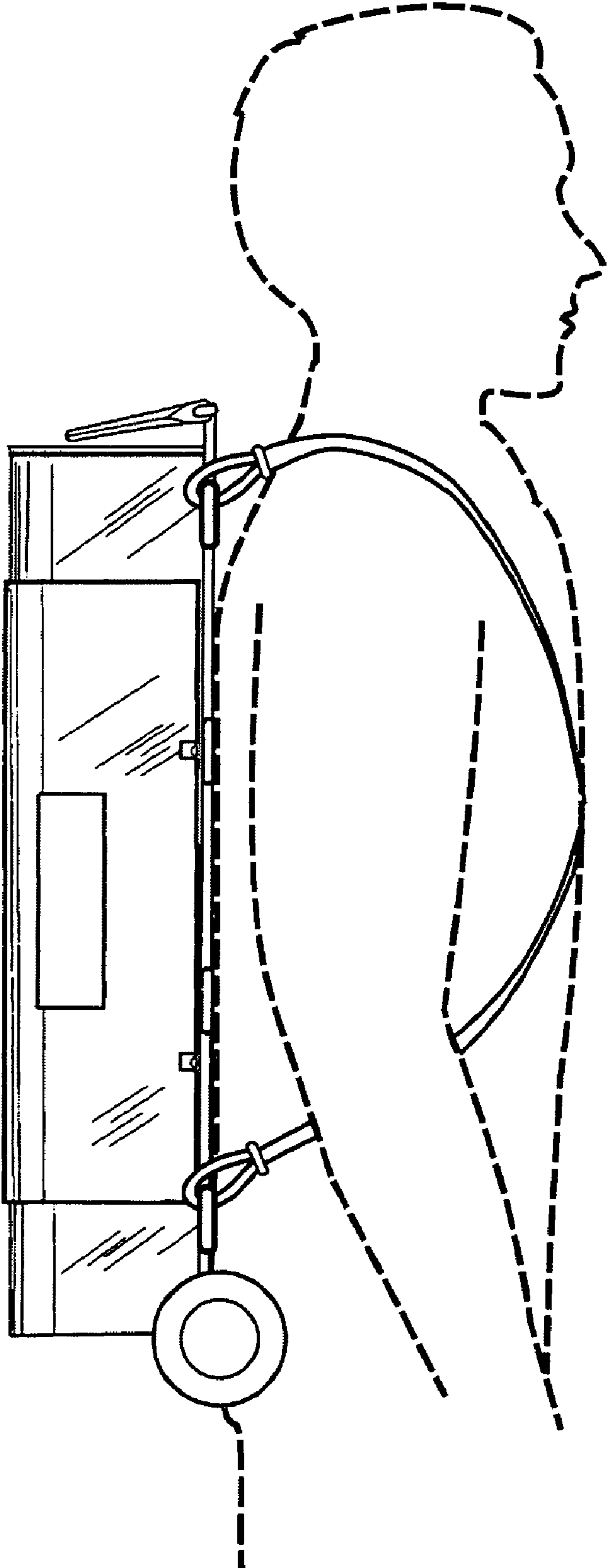


FIG. 9