

US00D592394S

(12) **United States Design Patent**  
**Kha**

(10) **Patent No.:** **US D592,394 S**

(45) **Date of Patent:** **\*\* May 19, 2009**

(54) **HANDCUFF STRAP**

D543,020 S 5/2007 Kha  
2005/0115997 A1 6/2005 Nouvel De La Fleche

(76) Inventor: **Yauna Kha**, 5107 Aspen St., Ste. E,  
Schofield, WI (US) 54476

\* cited by examiner

(\*\*) Term: **14 Years**

*Primary Examiner*—Catherine R Oliver

(74) *Attorney, Agent, or Firm*—Tipton L. Randall

(21) Appl. No.: **29/307,736**

(57) **CLAIM**

(22) Filed: **May 9, 2008**

The ornamental design for a handcuff strap, as shown and described.

(51) **LOC (9) Cl.** ..... **03-01**

(52) **U.S. Cl.** ..... **D3/215**

(58) **Field of Classification Search** ..... D3/215,  
D3/201, 207, 222–223, 225–226, 229–230,  
D3/242, 269; 224/182, 191–192, 197–199,  
224/206, 227, 252, 269, 271, 914, 162, 240,  
224/660, 627, 681

See application file for complete search history.

**DESCRIPTION**

FIG. 1 is a front view of the handcuff strap embodying my new design,

FIG. 2 is a rear view of the handcuff strap,

FIG. 3 is a top view of the handcuff strap,

FIG. 4 is a bottom view of the handcuff strap,

FIG. 5 is a right side view of the handcuff strap,

FIG. 6 is a left side view of the handcuff strap;

FIG. 7 is the front view of the handcuff strap with phantom lines indicating a set of handcuffs within the handcuff strap for reference only, the handcuffs not being included as part of the disclosed invention,

FIG. 8 is a front view of the handcuff strap in an alternative position with phantom lines indicating a set of handcuffs within the handcuff strap for reference only, the handcuffs not being included as part of the disclosed invention,

FIG. 9 is a right side view of the handcuff strap in an alternative position with phantom lines indicating a set of handcuffs within the handcuff strap for reference only, the handcuffs not being included as part of the disclosed invention; and,

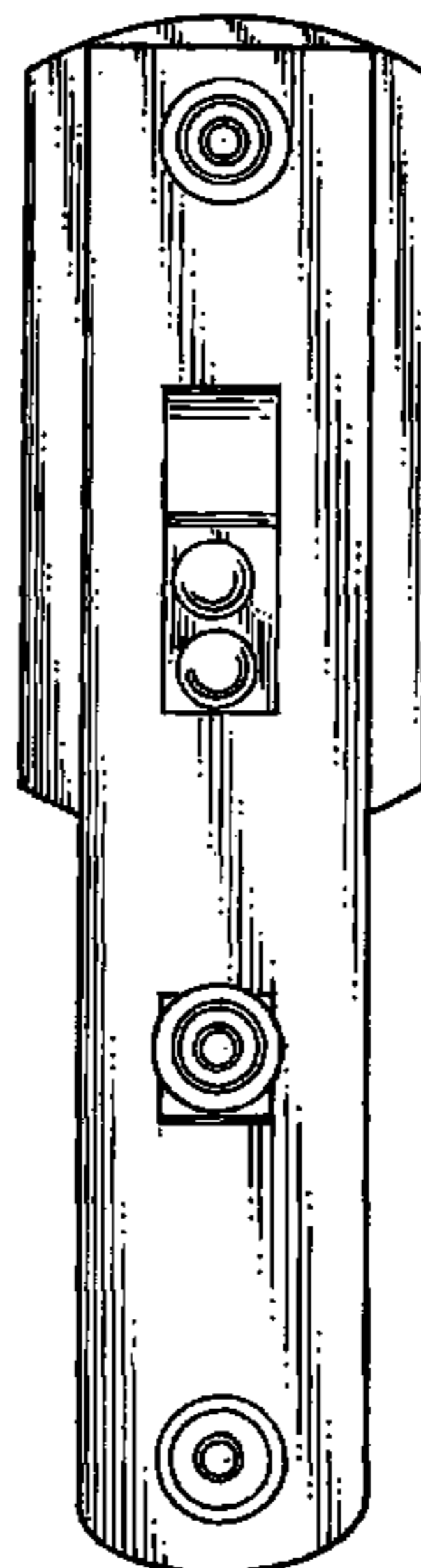
FIG. 10 is a rear view of the handcuff strap with phantom lines indicating the handcuff strap on a belt, indicating the environment upon which the handcuff strap is used, the belt not being included as part of the disclosed invention.

(56) **References Cited**

U.S. PATENT DOCUMENTS

1,413,290	A	4/1922	O'Leary	
1,517,588	A	12/1924	Sasaki	
D232,025	S	7/1974	Hershman	
3,826,414	A	7/1974	Valadez	
3,870,208	A	3/1975	Theodore	
D237,428	S	11/1975	Baker	
D238,629	S	2/1976	Tibbetts	
D253,676	S *	12/1979	Mathieson	D3/207
D296,269	S	6/1988	Richardson et al.	
4,750,652	A	6/1988	Grant	
4,852,784	A	8/1989	Burton, Jr.	
D306,798	S *	3/1990	McVey	D3/215
D331,497	S	12/1992	Dixon	
D338,106	S	8/1993	Elam	
D344,630	S	3/1994	Doerksen	
D364,038	S	11/1995	Stanchin	
5,511,706	A	4/1996	Hendrickson	
5,918,786	A	7/1999	Wise	
D541,524	S	5/2007	Kha	
D542,027	S	5/2007	Kha	

**1 Claim, 10 Drawing Sheets**



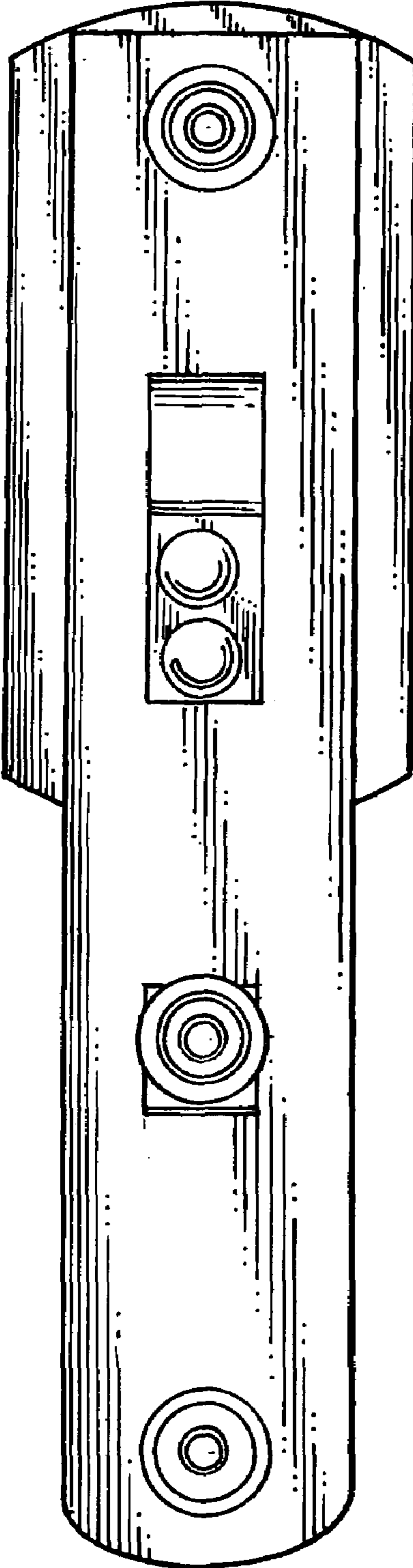


Fig. 1

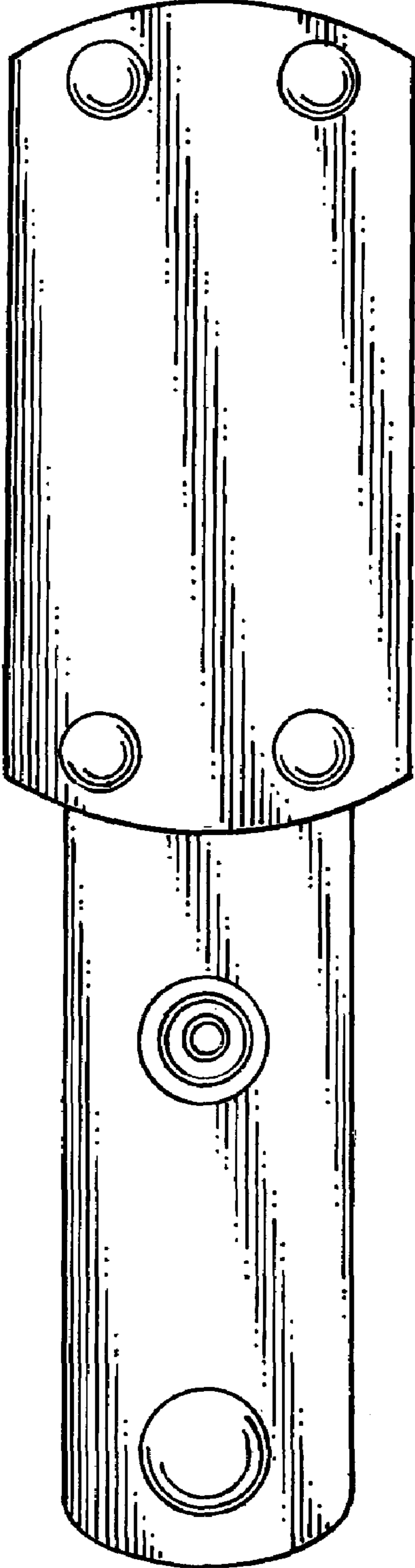
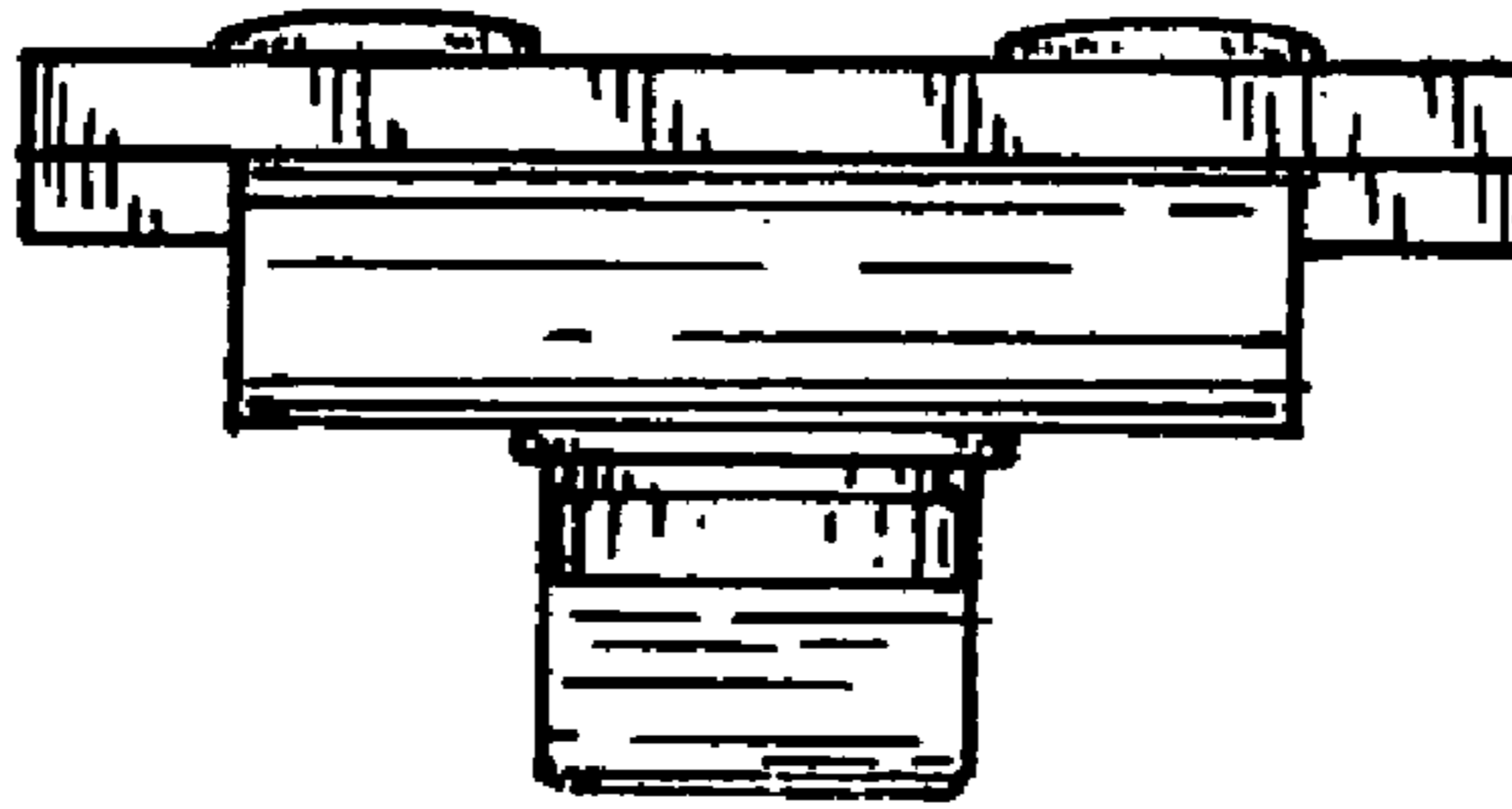


Fig. 2



**Fig. 3**

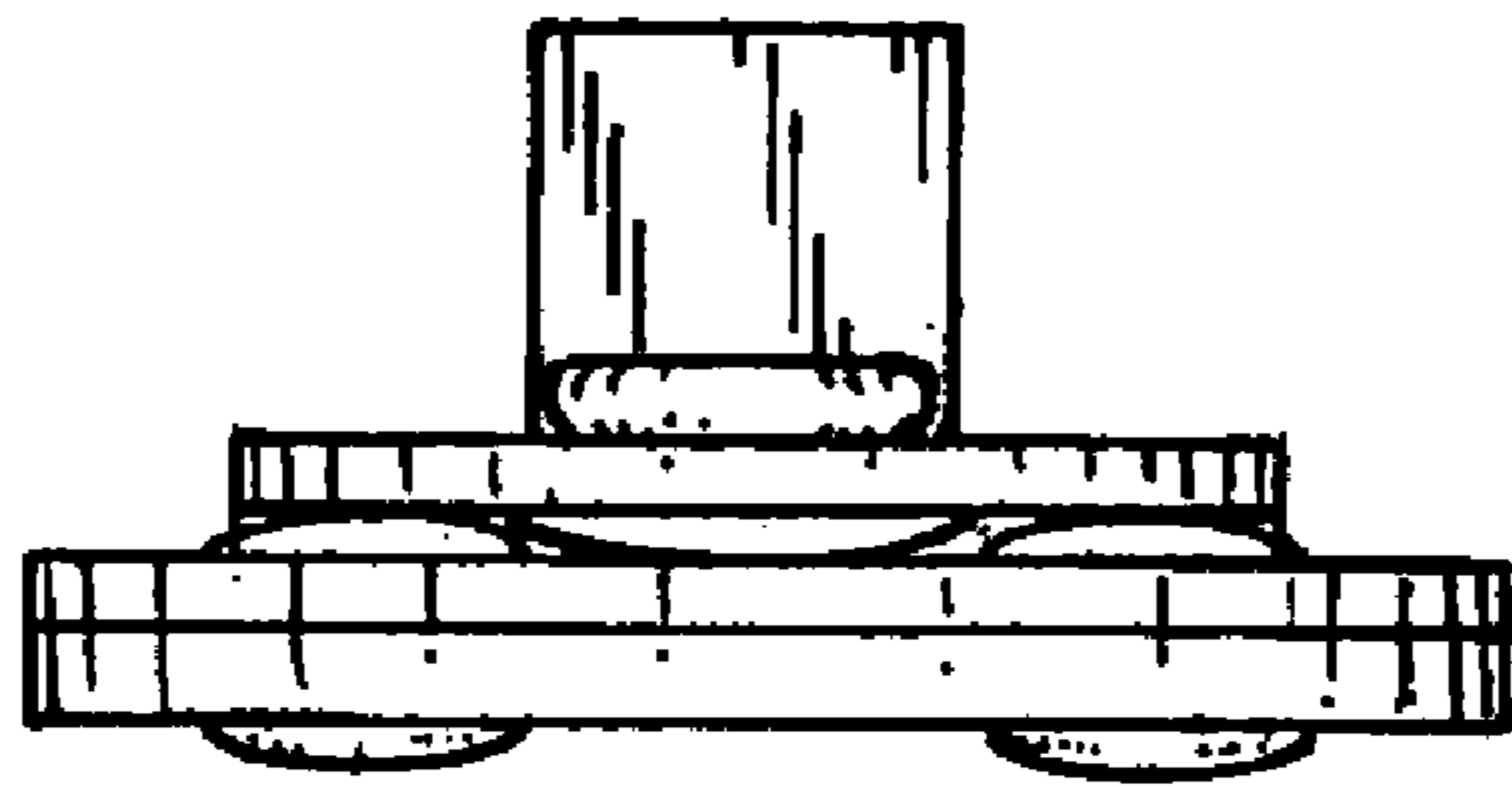


Fig. 4

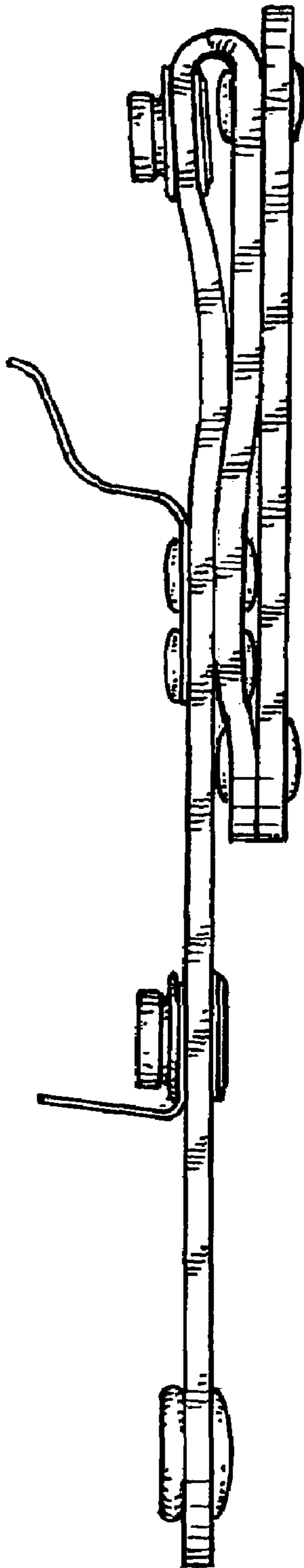


Fig. 5

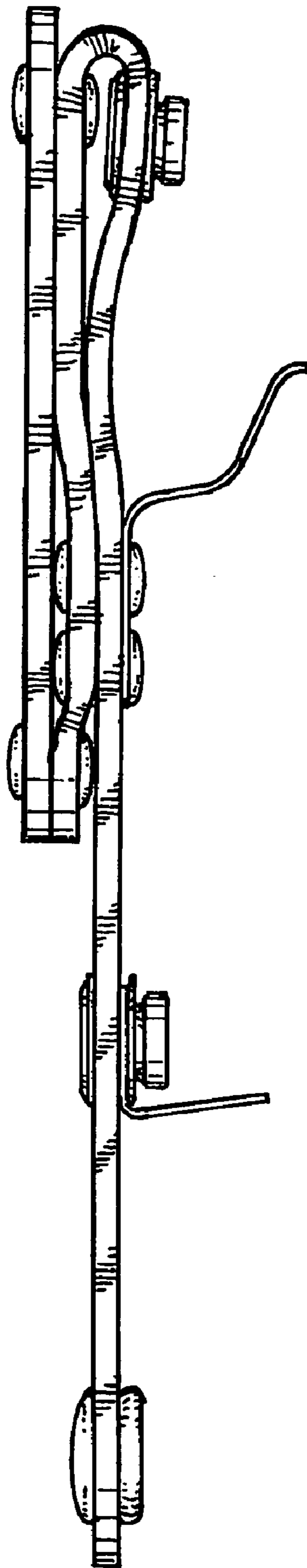


Fig. 6

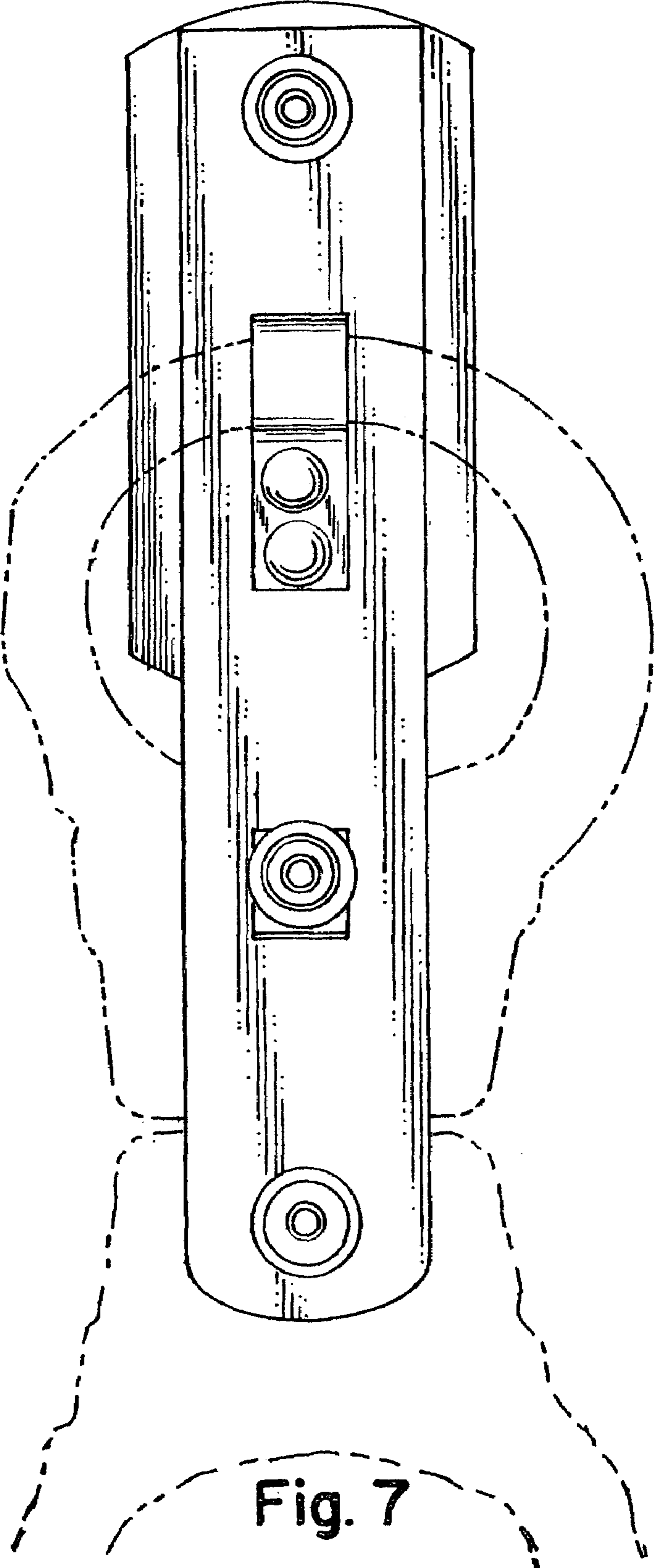


Fig. 7



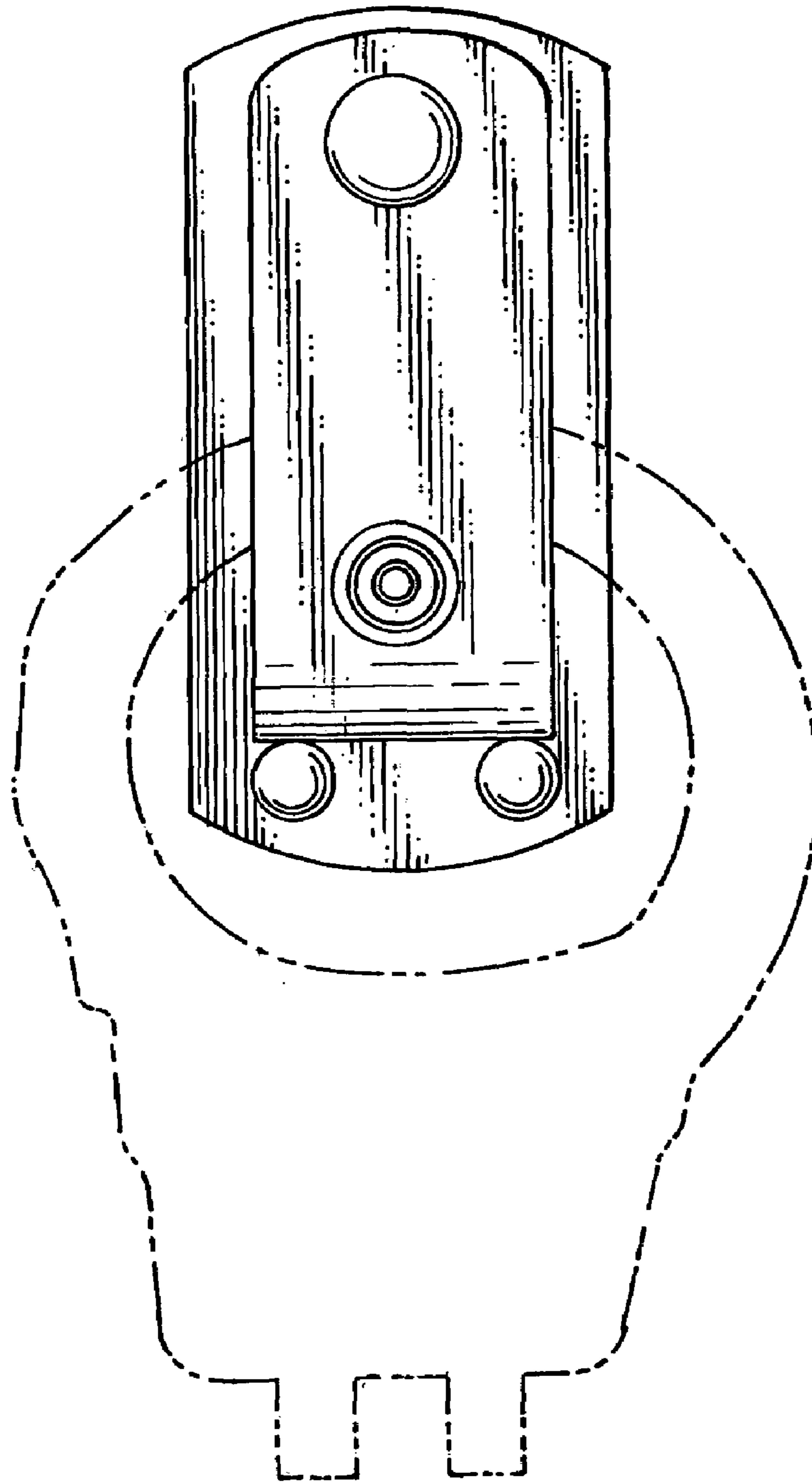


Fig. 8

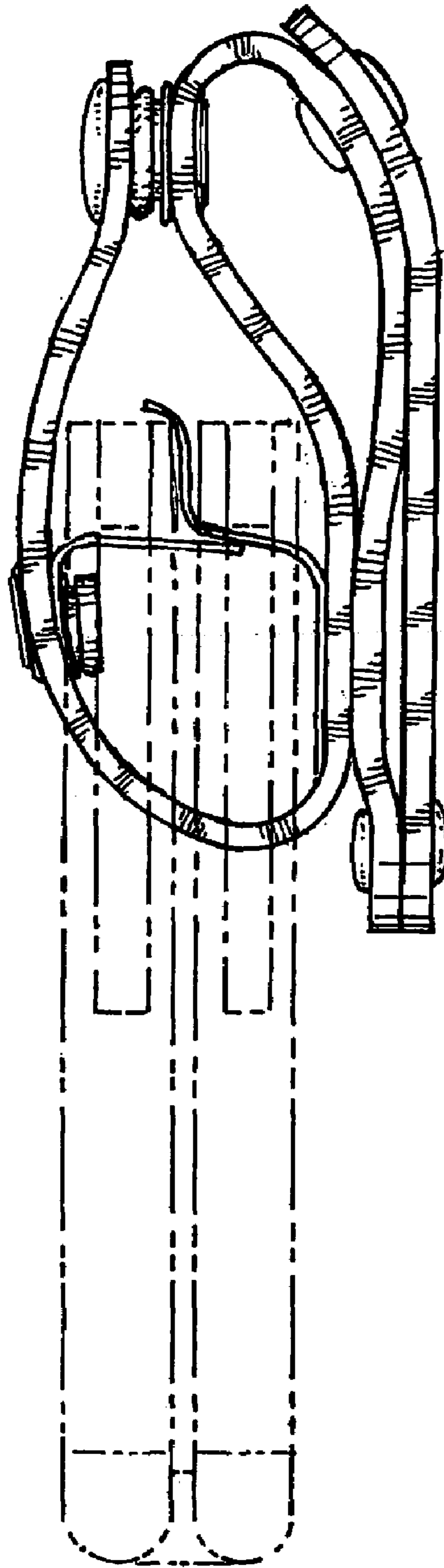


Fig. 9

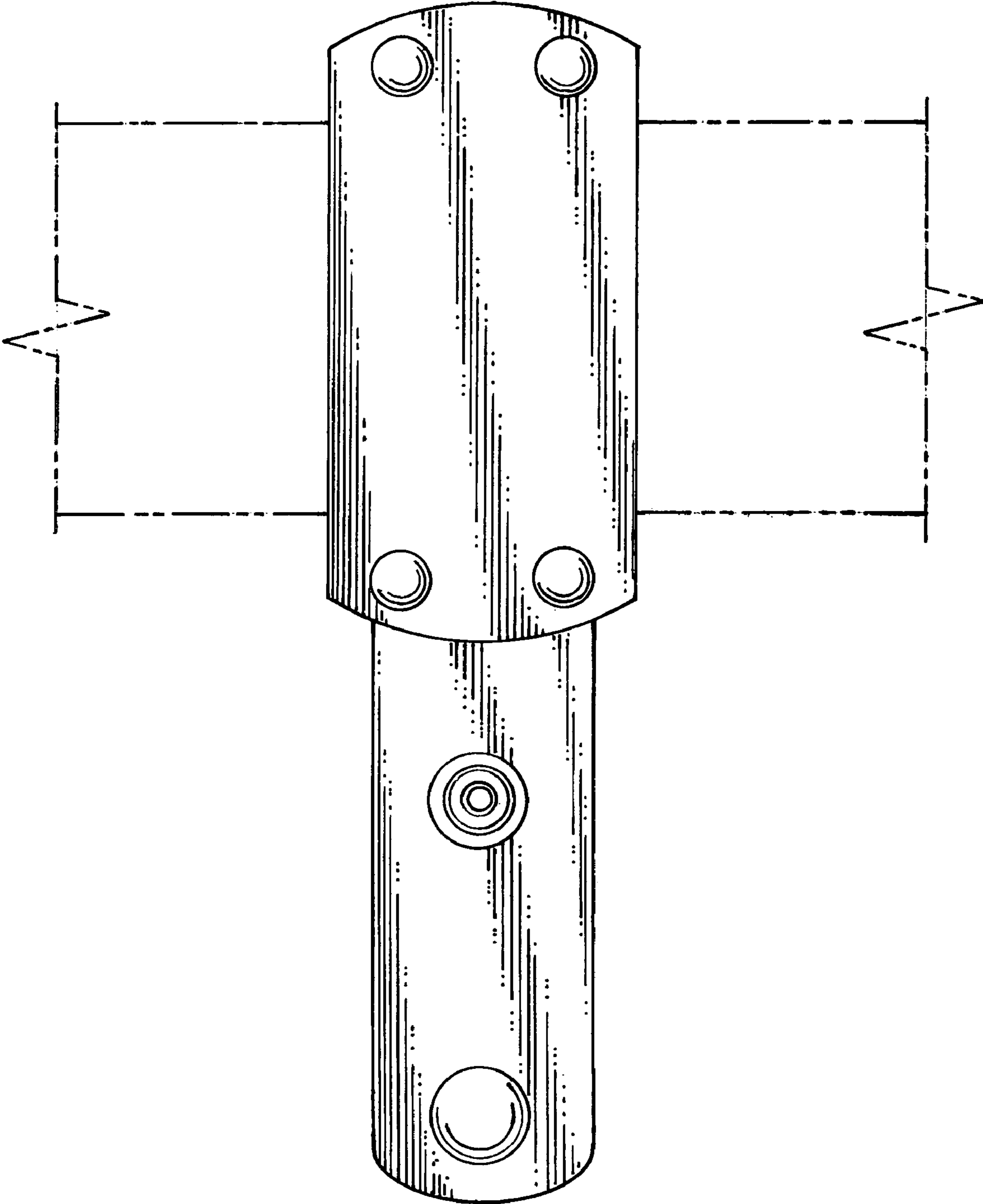


Fig. 10