



US00D592393S

(12) **United States Design Patent**  
**Clarke**

(10) **Patent No.:** **US D592,393 S**

(45) **Date of Patent:** **\*\* May 19, 2009**

(54) **HEART-SHAPED UMBRELLA**

(76) Inventor: **Nick Clarke**, P.O. Box 595, Laguna Beach, CA (US) 92652

(\*\*) Term: **14 Years**

(21) Appl. No.: **29/318,235**

(22) Filed: **May 15, 2008**

(51) **LOC (9) Cl.** ..... **03-03**

(52) **U.S. Cl.** ..... **D3/5**

(58) **Field of Classification Search** ..... D3/5-17;  
135/15.1, 16, 17, 19, 20.1, 25.1, 25.2, 25.4,  
135/29-31, 33.2, 33.4, 33.41, 98, 99; D21/836-839  
See application file for complete search history.

(56) **References Cited**

**U.S. PATENT DOCUMENTS**

D228,975 S *	10/1973	Schertz	.....	D3/5
D342,378 S *	12/1993	Pedorella	.....	D3/6
D373,465 S *	9/1996	Chipman	.....	D3/5
D379,116 S *	5/1997	Selberg	.....	D3/6
D437,109 S *	2/2001	Muscella	.....	D3/5
D466,281 S *	12/2002	Pontiff	.....	D3/6

D559,527 S \* 1/2008 Kim et al. .... D3/6

\* cited by examiner

*Primary Examiner*—T. Chase Nelson

*Assistant Examiner*—Anhdao Doan

(74) *Attorney, Agent, or Firm*—Stetina Brunda Garred & Brucker

(57) **CLAIM**

The ornamental design for an heart-shaped umbrella, as shown and described.

**DESCRIPTION**

FIG. 1 is a perspective of a heart-shaped umbrella showing my new design;

FIG. 2 is a top plan view thereof;

FIG. 3 is a front elevation view thereof;

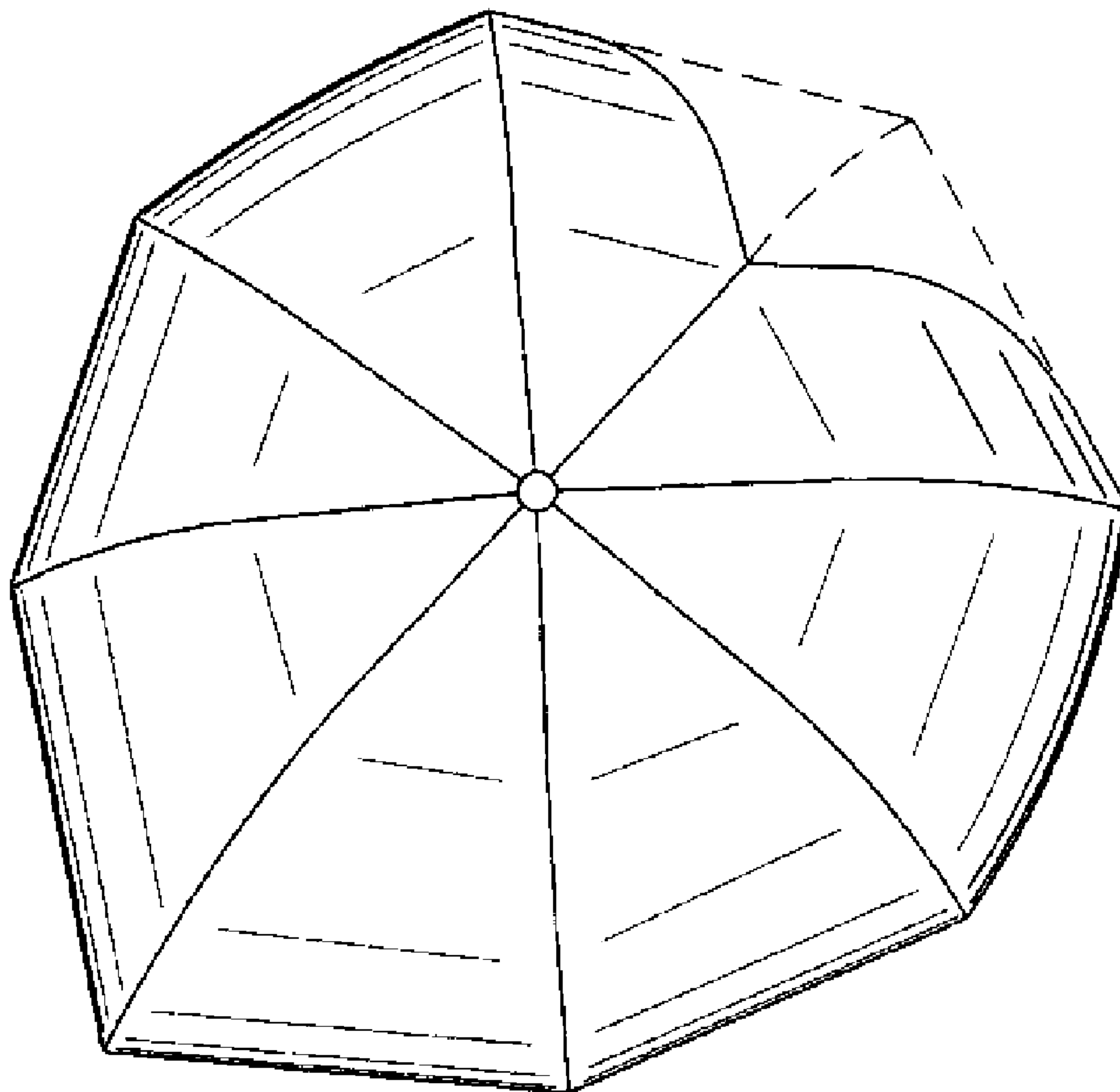
FIG. 4 is a rear elevation view thereof;

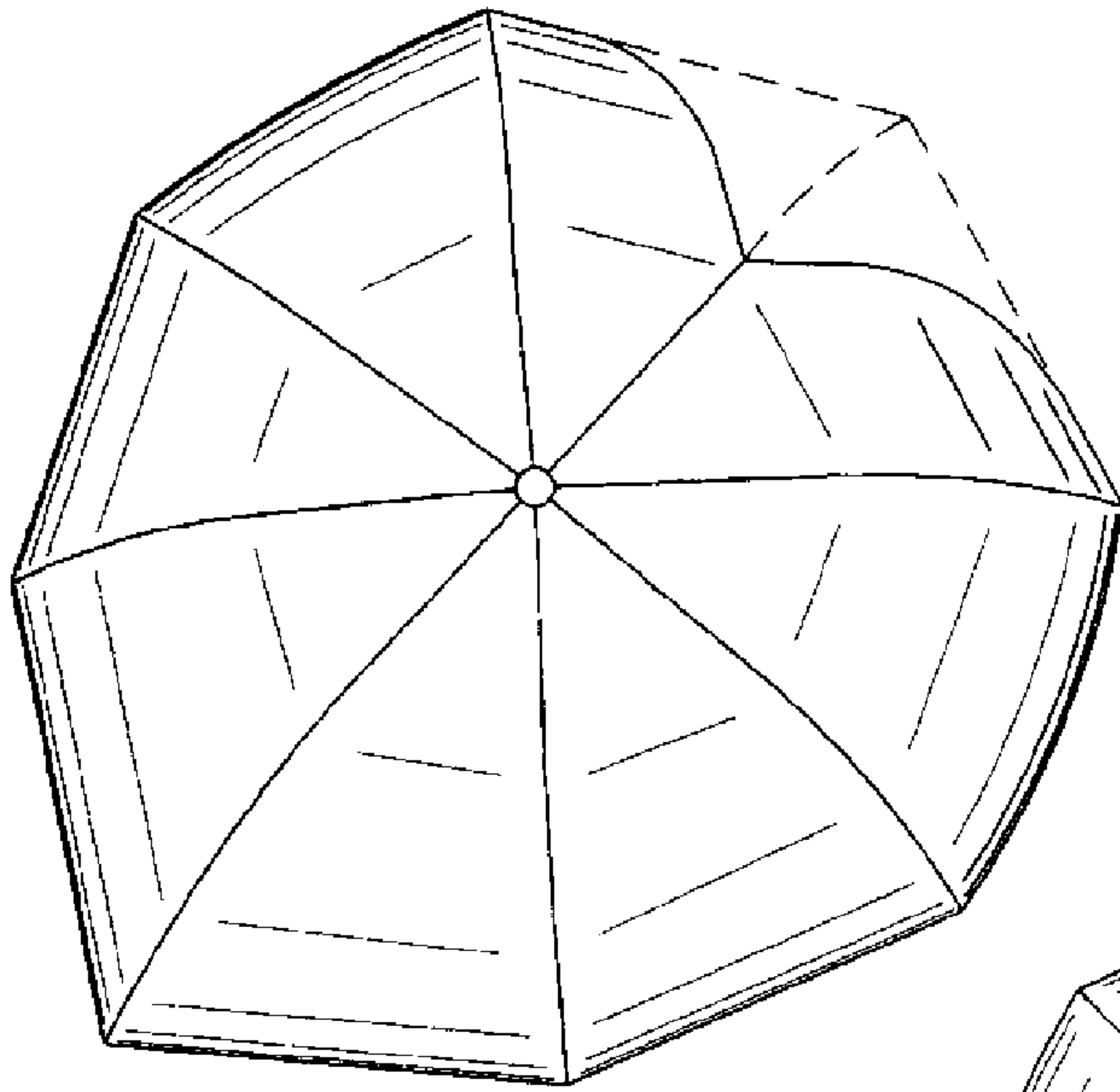
FIG. 5 is a left side elevation view thereof; and,

FIG. 6 is a right side elevation view thereof.

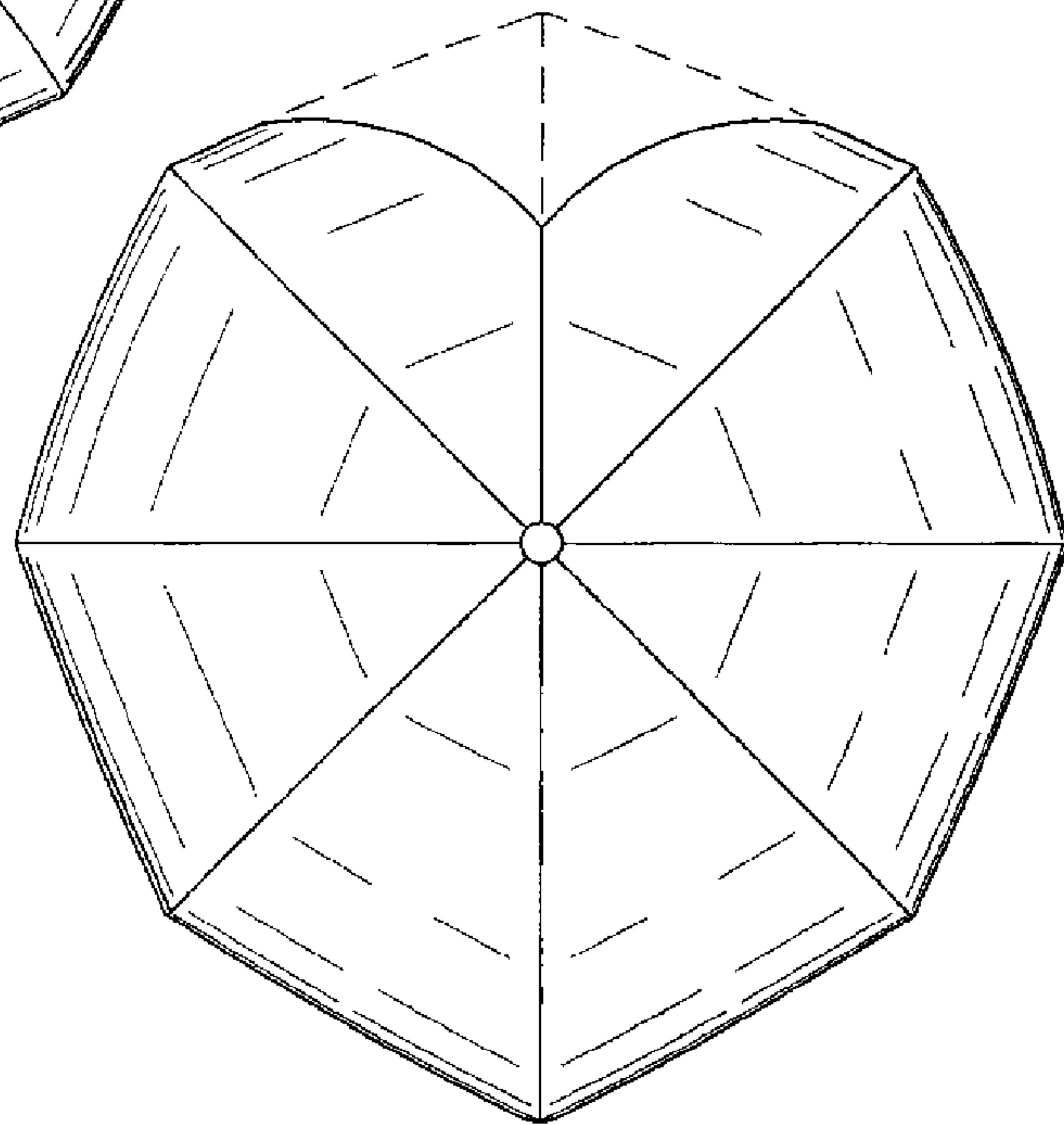
The broken lines in the drawings are included for the purpose of illustrating portions of the heart-shaped canopy that form no part of the claimed design.

**1 Claim, 2 Drawing Sheets**

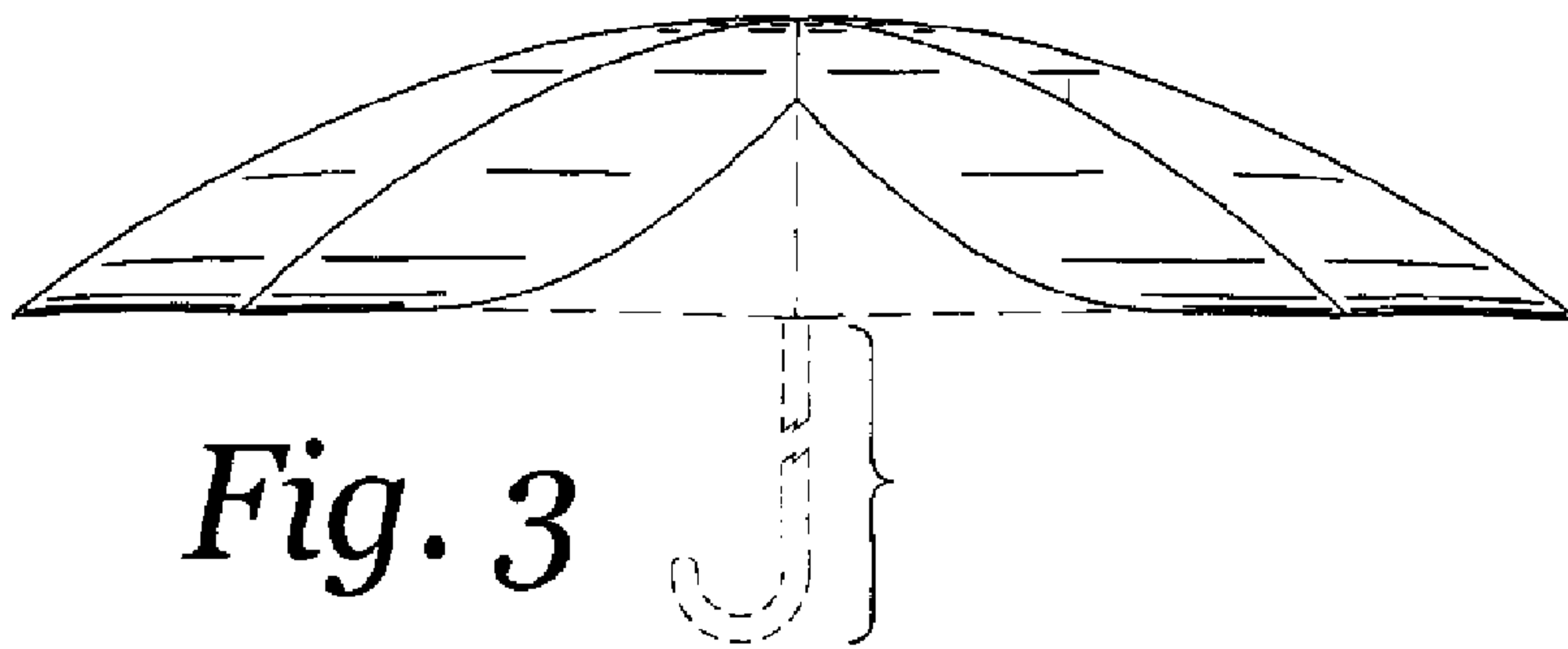




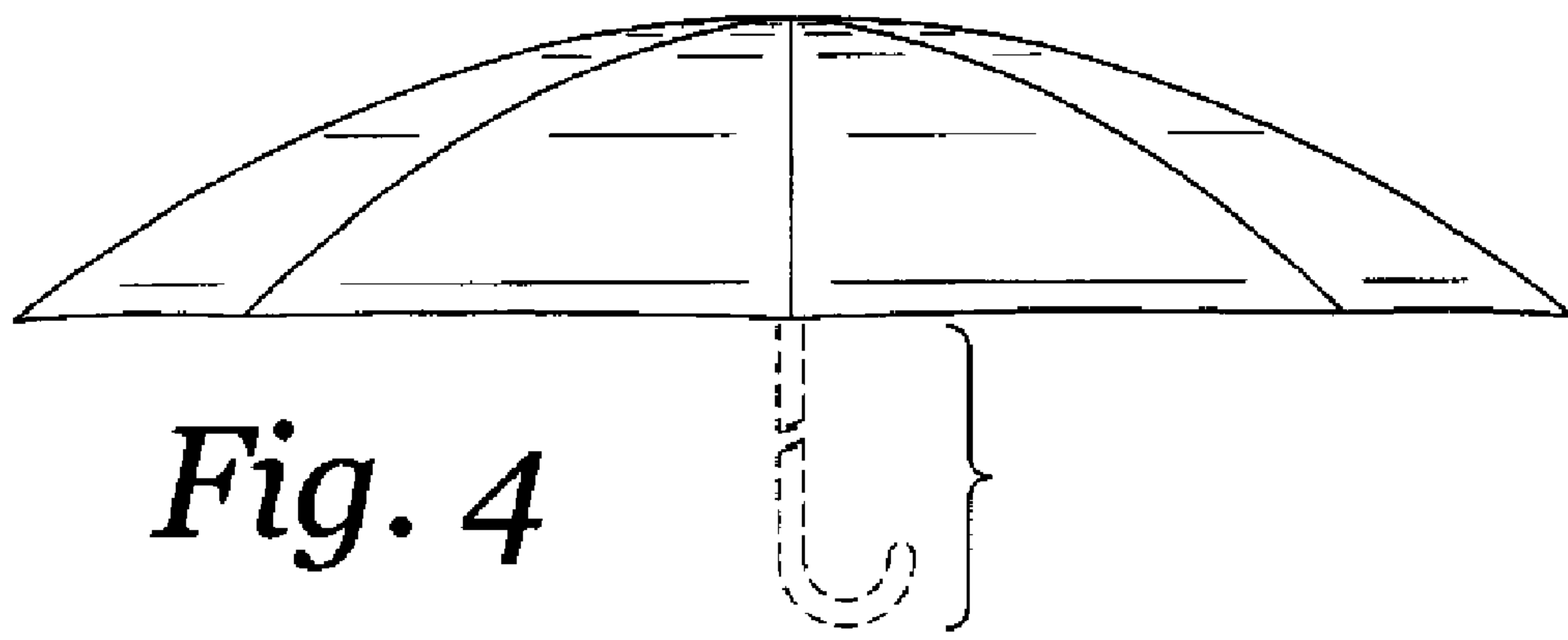
*Fig. 1*



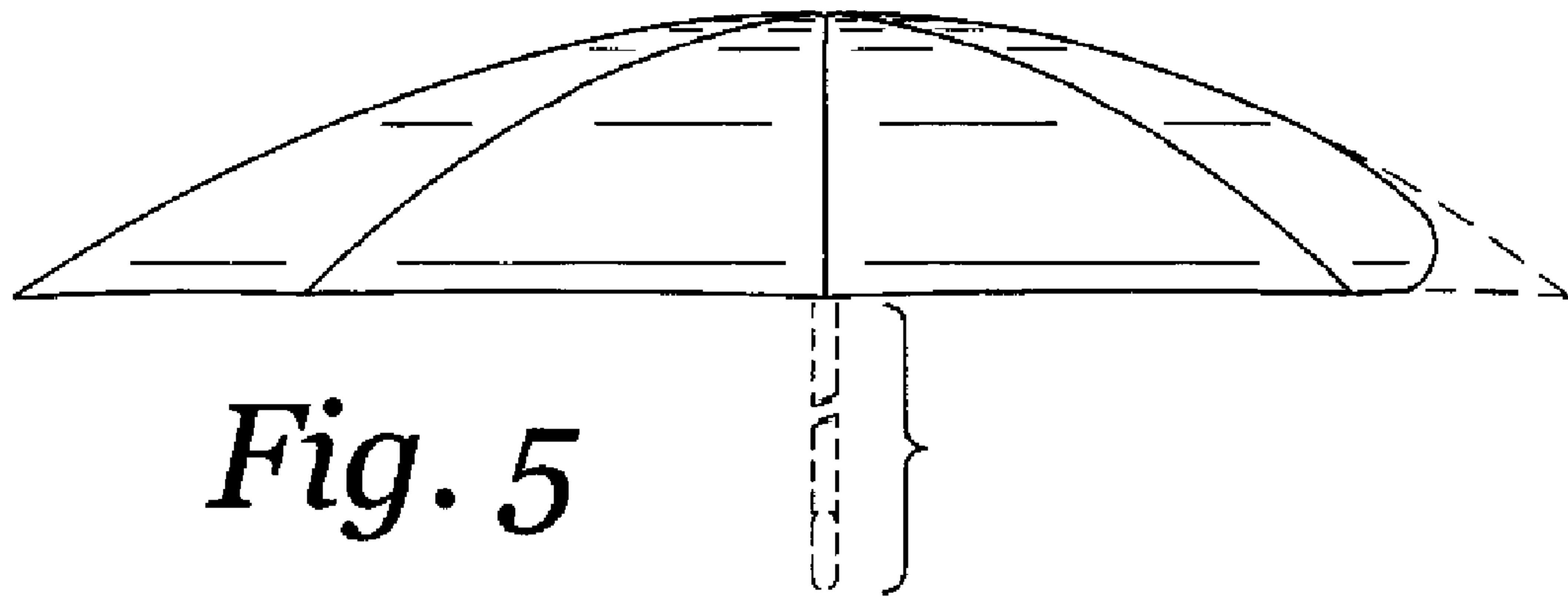
*Fig. 2*



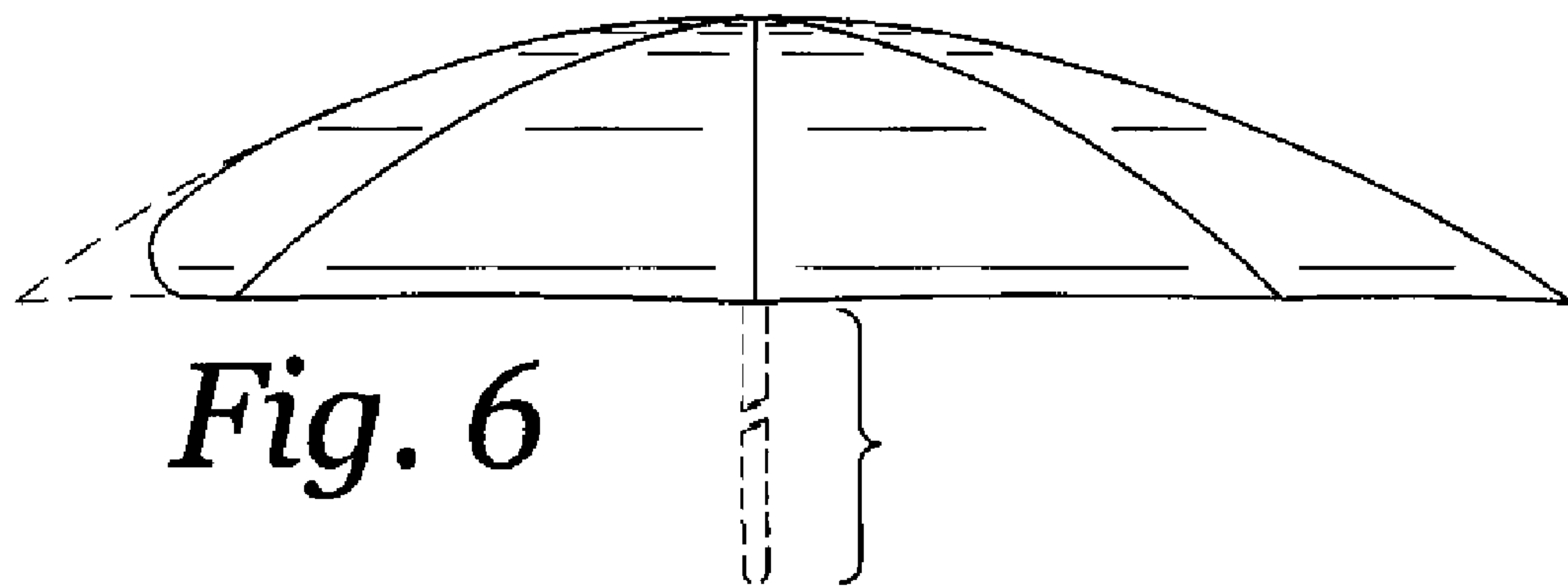
*Fig. 3*



*Fig. 4*



*Fig. 5*



*Fig. 6*