

US00D592380S

(12) **United States Design Patent**  
**McLaughlin**

(10) **Patent No.:** **US D592,380 S**

(45) **Date of Patent:** **\*\* May 19, 2009**

(54) **HAT**  
(76) **Inventor:** **Gerald McLaughlin**, 1370-30 Fieldlight  
Boulevard, Pickering, Ontario (CA) L1V  
2S7  
(\*\*) **Term:** **14 Years**  
(21) **Appl. No.:** **29/305,559**  
(22) **Filed:** **Mar. 24, 2008**

**Related U.S. Application Data**

(62) Division of application No. 29/279,128, filed on Apr.  
20, 2007.

**Foreign Application Priority Data**

Oct. 20, 2006 (CA) ..... 117970

(51) **LOC (9) Cl.** ..... **02-03**

(52) **U.S. Cl.** ..... **D2/869**

(58) **Field of Classification Search** ..... D2/865,  
D2/866, 872, 873, 876, 879, 882, 871, 875,  
D2/870, 878, 880, 881, 884, 886, 891, 892,  
D2/893, 894, 895; D5/1, 2, 3, 7, 29, 46,  
D5/47, 55, 58, 60, 61; 2/10, 12, 425, 171.4,  
2/171.5, 174, 183, 184, 181, 209.11, 209.12,  
2/209.13, 209.14, 175.1, 175.2, 175.3, 175.4,  
2/175.5, 195.1, 195.2, 195.3, 195.6, 200.1,  
2/200.2

See application file for complete search history.

(56) **References Cited**

**U.S. PATENT DOCUMENTS**

1,196,411 A 8/1916 Welch  
1,434,607 A 11/1922 Gilson  
1,868,926 A \* 7/1932 Tatore et al. .... 2/421  
2,136,678 A 11/1938 Dym  
2,617,988 A 11/1952 Alesi  
D170,399 S 9/1953 Briers  
3,447,162 A \* 6/1969 Aileo ..... 2/420

3,994,023 A \* 11/1976 Aileo et al. .... 2/417  
4,790,034 A \* 12/1988 Pass ..... 2/195.5  
4,933,993 A 6/1990 McClelland  
D312,915 S \* 12/1990 Gilfert et al. .... D2/870  
5,127,837 A \* 7/1992 Shah et al. .... 439/71  
D338,546 S \* 8/1993 Barker ..... D2/870  
5,351,341 A 10/1994 Broersma  
D362,743 S 10/1995 Martin  
D364,264 S 11/1995 Sheer  
D366,539 S 1/1996 Lackovic  
D373,894 S 9/1996 Turner  
5,619,756 A 4/1997 Garneau  
D396,546 S 8/1998 Marrs  
5,862,528 A 1/1999 Saijo et al.  
5,983,400 A 11/1999 Kronenberger  
D417,941 S 12/1999 Bass  
5,996,126 A \* 12/1999 Barthold et al. .... 2/414

(Continued)

*Primary Examiner*—Elizabeth A Albert  
*Assistant Examiner*—Karen E Eldridge Powers  
(74) *Attorney, Agent, or Firm*—Dann, Dorfman, Herrell &  
Skillman, PC

(57) **CLAIM**

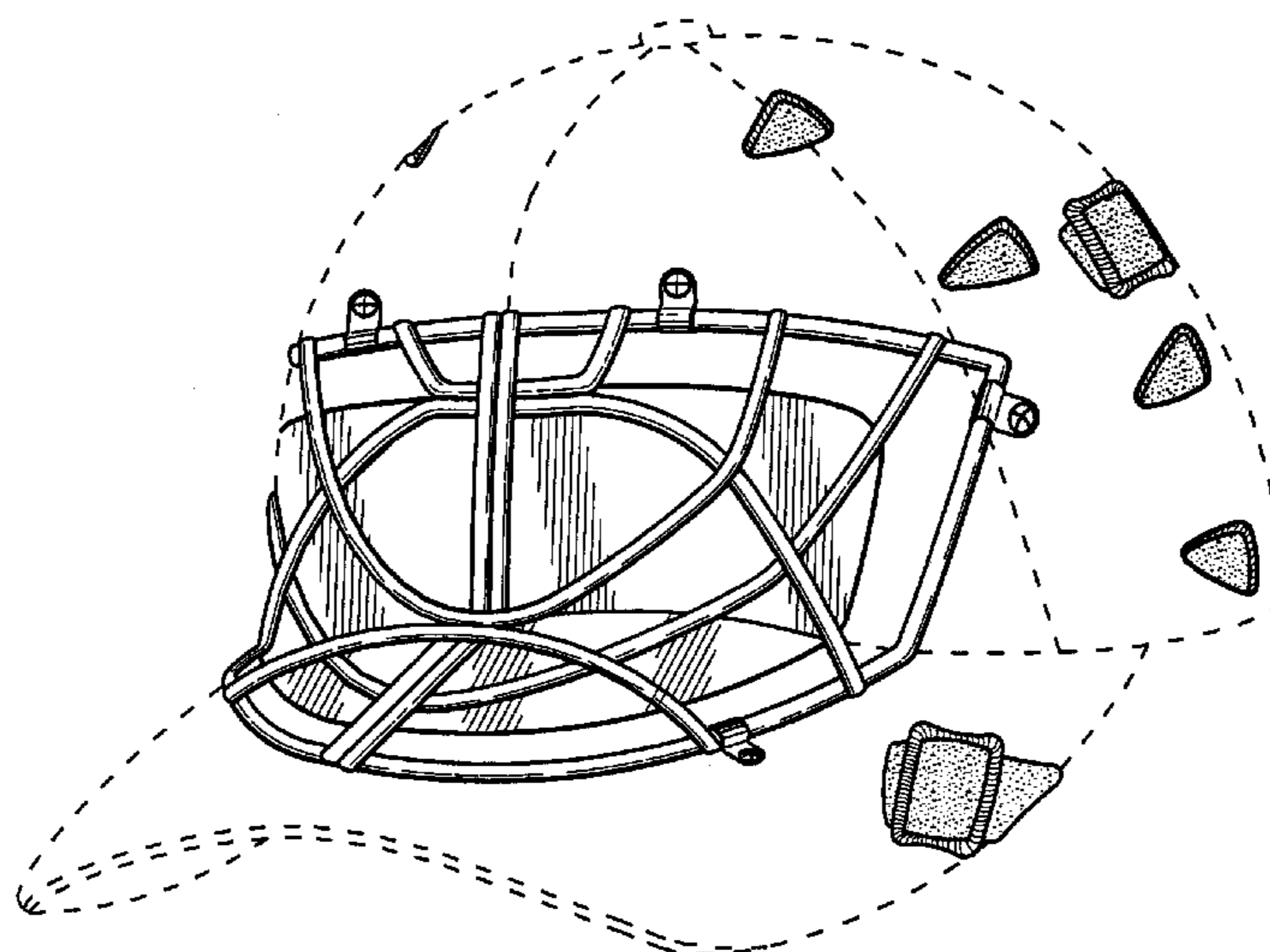
The ornamental design for a hat, substantially as shown and  
described.

**DESCRIPTION**

FIG. 1 is a top view of a design for a hat;  
FIG. 2 is a side view of the design for a hat;  
FIG. 3 is a front perspective view of the design for a hat;  
FIG. 4 is a front view of the design for a hat; and,  
FIG. 5 is a rear view of the design for a hat.

The short hatch marks on the periphery of the triangle-like  
shapes represent embroidery, and the stippling inside the  
triangle-like shapes represents material. The entire surface of  
the hat which is in broken lines is shown for environmental  
purposes only and forms no part of the claimed design.

**1 Claim, 4 Drawing Sheets**



# US D592,380 S

Page 2

---

## U.S. PATENT DOCUMENTS

D419,449 S	1/2000	Adams	D507,923 S	8/2005	Hathaway
D419,752 S	2/2000	Hathaway	6,938,272 B1	9/2005	Brown
D426,938 S	6/2000	Helbig	D514,281 S	2/2006	Cho
D434,532 S	11/2000	Moscatello	7,174,573 B1	2/2007	Chen et al.
6,167,569 B1	1/2001	Conner	D541,508 S	5/2007	Day
6,237,159 B1	5/2001	Martin	D559,502 S *	1/2008	Lanphere, Jr. .... D2/870
D463,885 S *	10/2002	Burns ..... D29/111	2001/0011388 A1	8/2001	Nelson et al.
6,532,602 B2 *	3/2003	Watters et al. .... 2/411	2002/0124298 A1 *	9/2002	Muskovitz ..... 2/410
D483,927 S	12/2003	Appleberry	2004/0006807 A1 *	1/2004	Wang ..... 2/195.1
6,711,751 B1	3/2004	Muskovitz	2006/0010579 A1	1/2006	Wiles
D488,292 S	4/2004	Haggberg	2007/0130670 A1 *	6/2007	Henf ..... 2/195.1
6,772,447 B2	8/2004	Morrow et al.	2007/0151003 A1	7/2007	Shih
D505,775 S	6/2005	Cho	2008/0134415 A1 *	6/2008	Pierce ..... 2/410
			2008/0163406 A1 *	7/2008	Solari ..... 2/209.13

\* cited by examiner

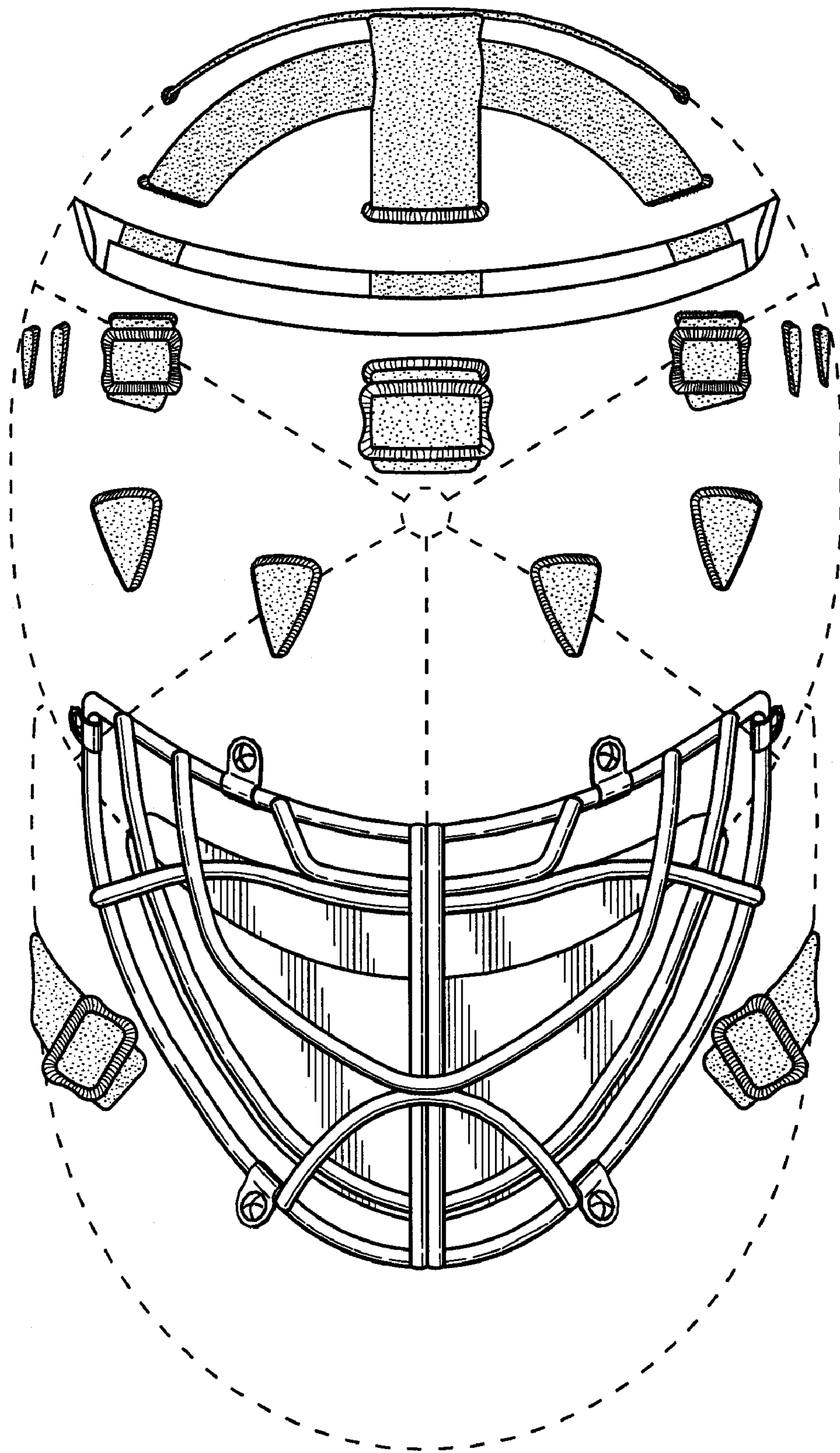


FIG. 1



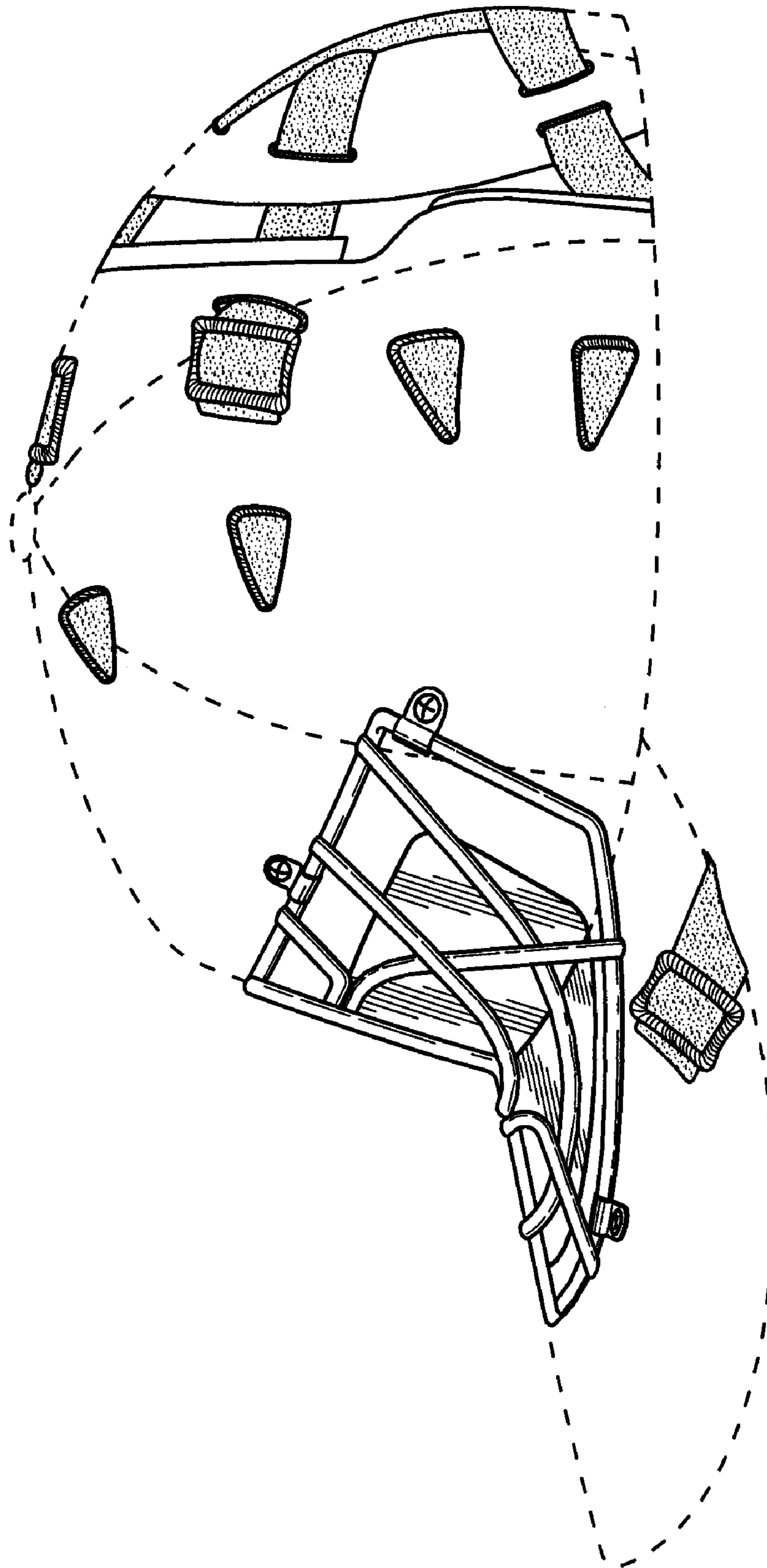


FIG.2

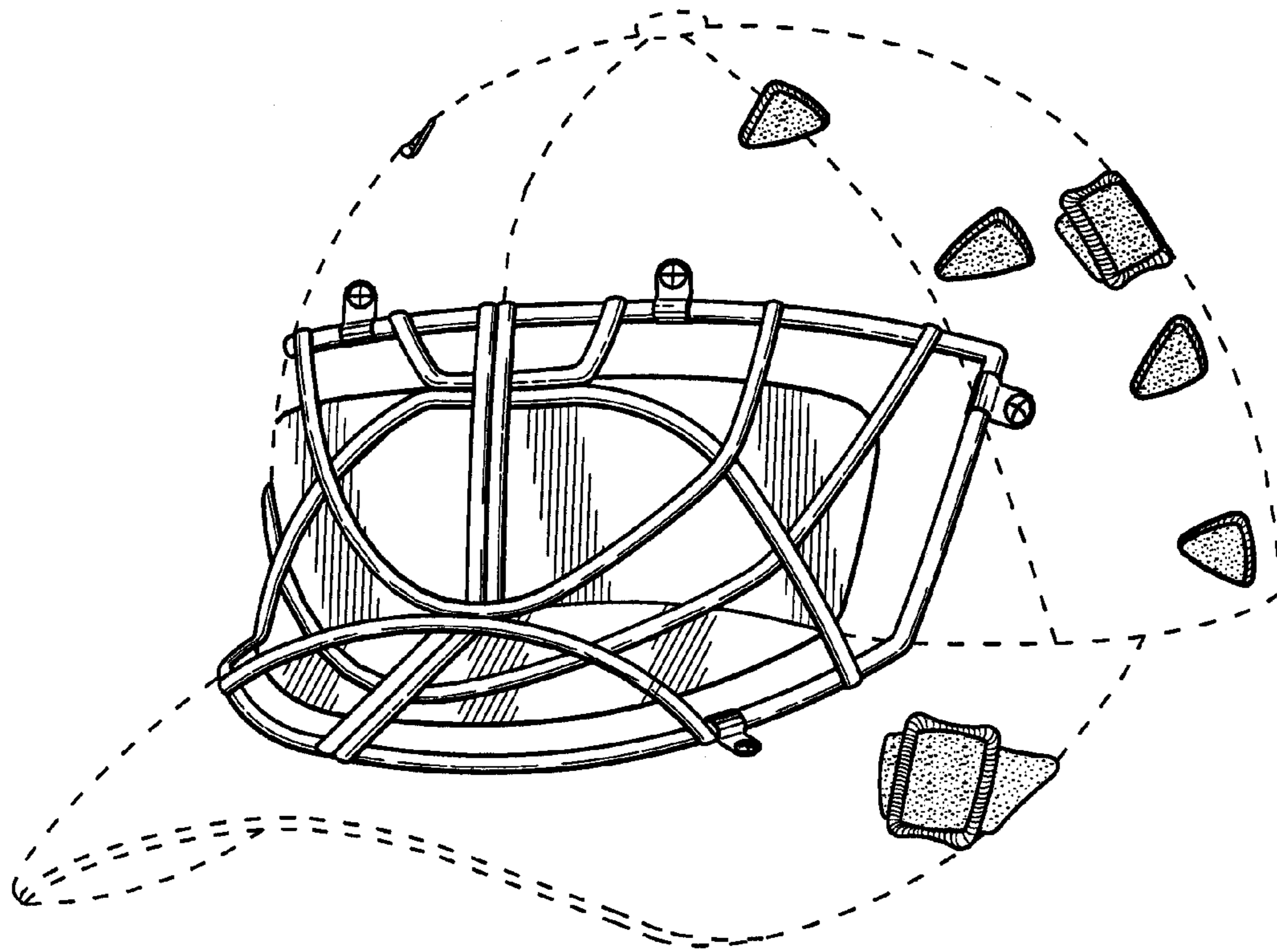


FIG.3

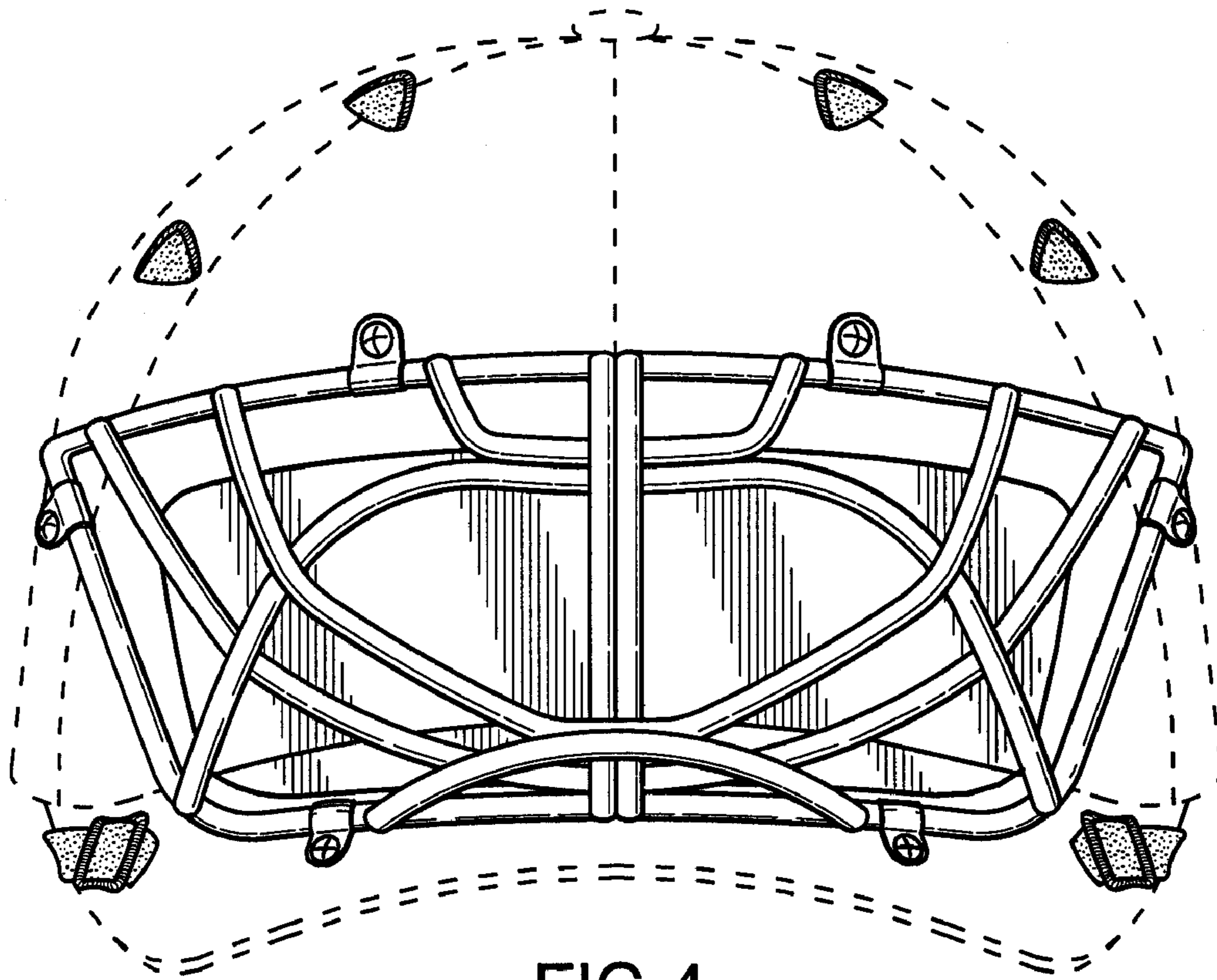


FIG. 4

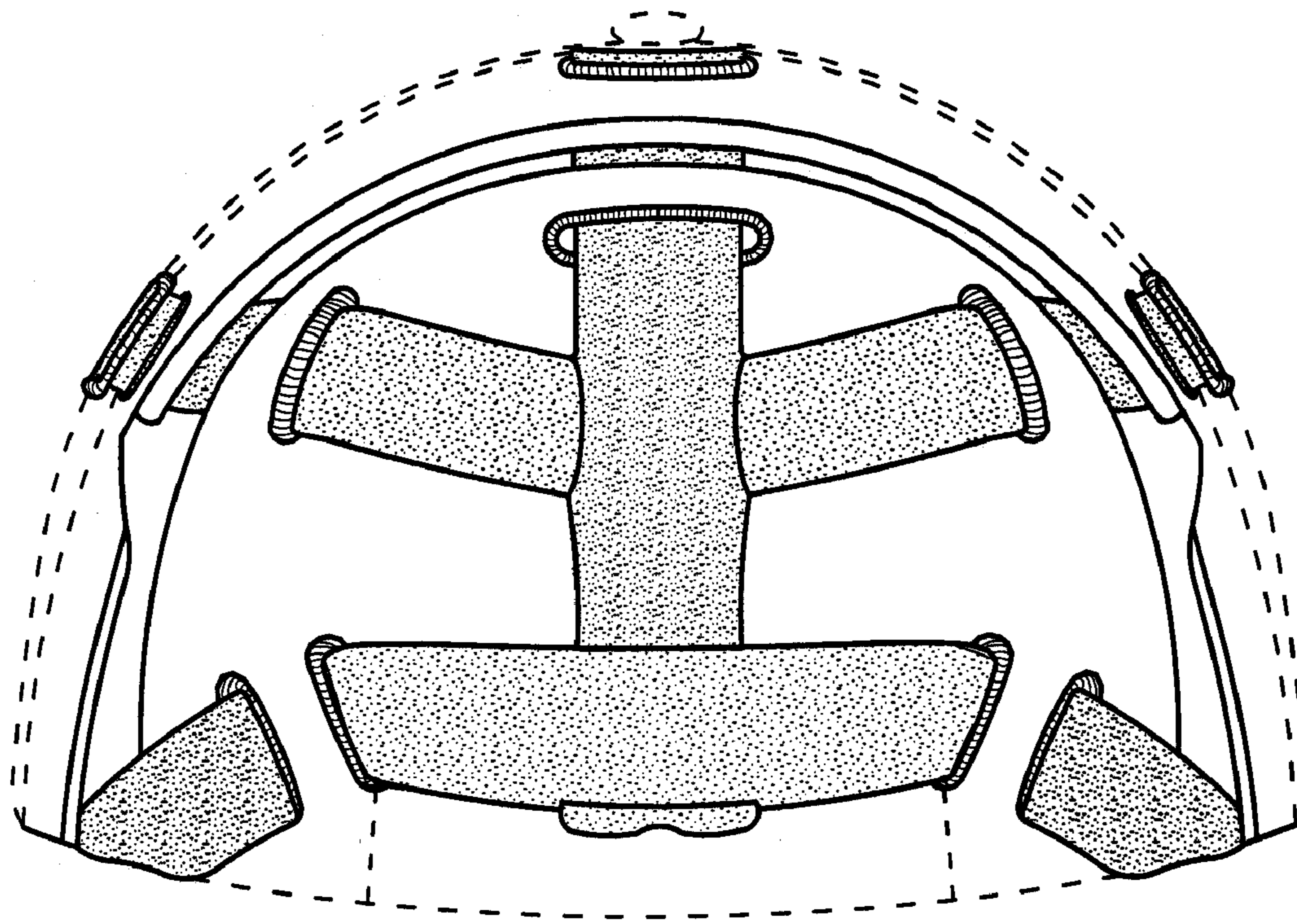


FIG. 5