



US00D592375S

(12) **United States Design Patent**
Jensen et al.

(10) **Patent No.:** **US D592,375 S**
(45) **Date of Patent:** **** May 12, 2009**

(54) **AXLE HUB SUPPORT APPARATUS**

(76) Inventors: **Gary F. Jensen**, 1202 Dicey Creek Rd.,
Camden, SC (US) 29020; **Phyllis E.**
Jensen, 1202 Dicey Creek Rd., Camden,
SC (US) 29020

(**) Term: **14 Years**

(21) Appl. No.: **29/308,967**

(22) Filed: **Jul. 17, 2008**

5,190,265 A	3/1993	Barry et al.	
D344,834 S *	3/1994	Ries	D34/28
5,338,015 A	8/1994	Liegel et al.	
5,392,872 A	2/1995	Ducote	
5,941,545 A	8/1999	Park	
6,179,542 B1 *	1/2001	Haven	414/428
6,244,142 B1	6/2001	Swanson	
6,367,825 B1	4/2002	Kilpatrick	
6,481,079 B1	11/2002	Newhan	
D468,512 S *	1/2003	Hernandez	D34/28
6,789,994 B2 *	9/2004	Tortellier	414/429
7,097,406 B1 *	8/2006	Gang	414/429
D532,575 S *	11/2006	Oberg	D34/28
D585,335 S *	1/2009	Henke et al.	D12/115

Related U.S. Application Data

(63) Continuation-in-part of application No. 11/638,841,
filed on Dec. 14, 2006, now abandoned.

(51) **LOC (9) Cl.** **12-05**

(52) **U.S. Cl.** **D34/28; D34/31**

(58) **Field of Classification Search** D34/28,
D34/31; 414/429, 428, 427, 343; 254/11,
254/8 B, 2 R, 126; 187/204, 207; 280/86.75
See application file for complete search history.

(56) **References Cited**

U.S. PATENT DOCUMENTS

1,899,351 A	2/1933	Overfelt	
2,392,409 A *	1/1946	Ray	414/429
2,543,276 A *	2/1951	Buechler	414/428
2,583,216 A *	1/1952	Hoffman	414/427
4,123,038 A	10/1978	Meyers	
4,544,134 A	10/1985	Mitchell	
4,573,699 A	3/1986	Smith	
4,657,274 A	4/1987	Mann et al.	
4,795,187 A	1/1989	Ingalls	
4,854,803 A *	8/1989	Coccaro	414/429
4,921,271 A	5/1990	Berry et al.	
5,112,070 A *	5/1992	Hahn	280/79.4
5,127,638 A	7/1992	Kent	

* cited by examiner

Primary Examiner—Cynthia E Ramirez

(74) *Attorney, Agent, or Firm*—P. Jeff Martin of The
McGougan Law Firm, LLC

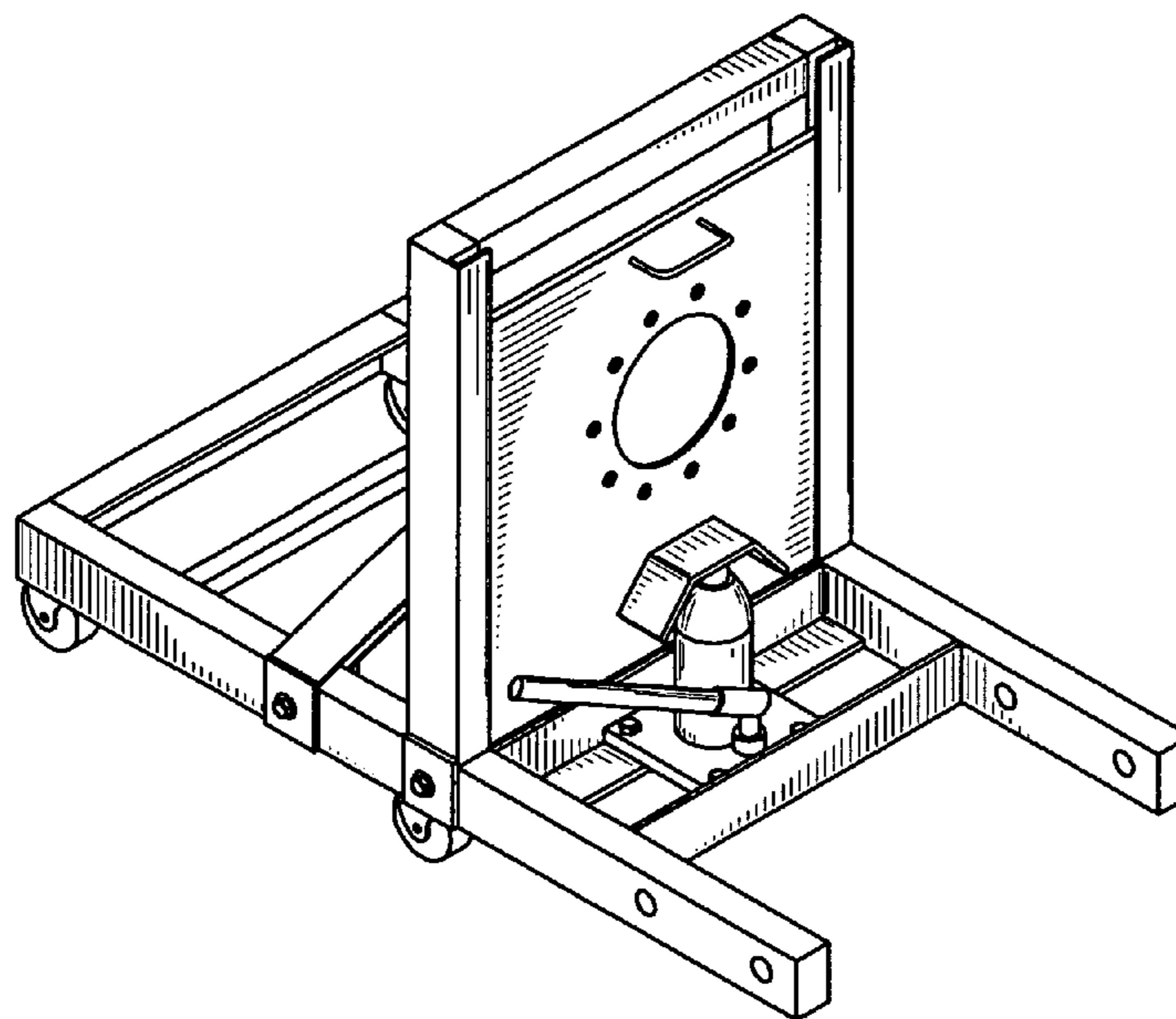
(57) **CLAIM**

The ornamental design for an axle hub support apparatus, as
shown and described.

DESCRIPTION

FIG. 1 is a front perspective view of an axle hub support
apparatus showing my new design;
FIG. 2 is a rear perspective view thereof;
FIG. 3 is a right side view thereof;
FIG. 4 is a left side view thereof;
FIG. 5 is a front view thereof;
FIG. 6 is a rear view thereof;
FIG. 7 is a top plan view thereof; and,
FIG. 8 is a bottom plan view thereof.

1 Claim, 3 Drawing Sheets



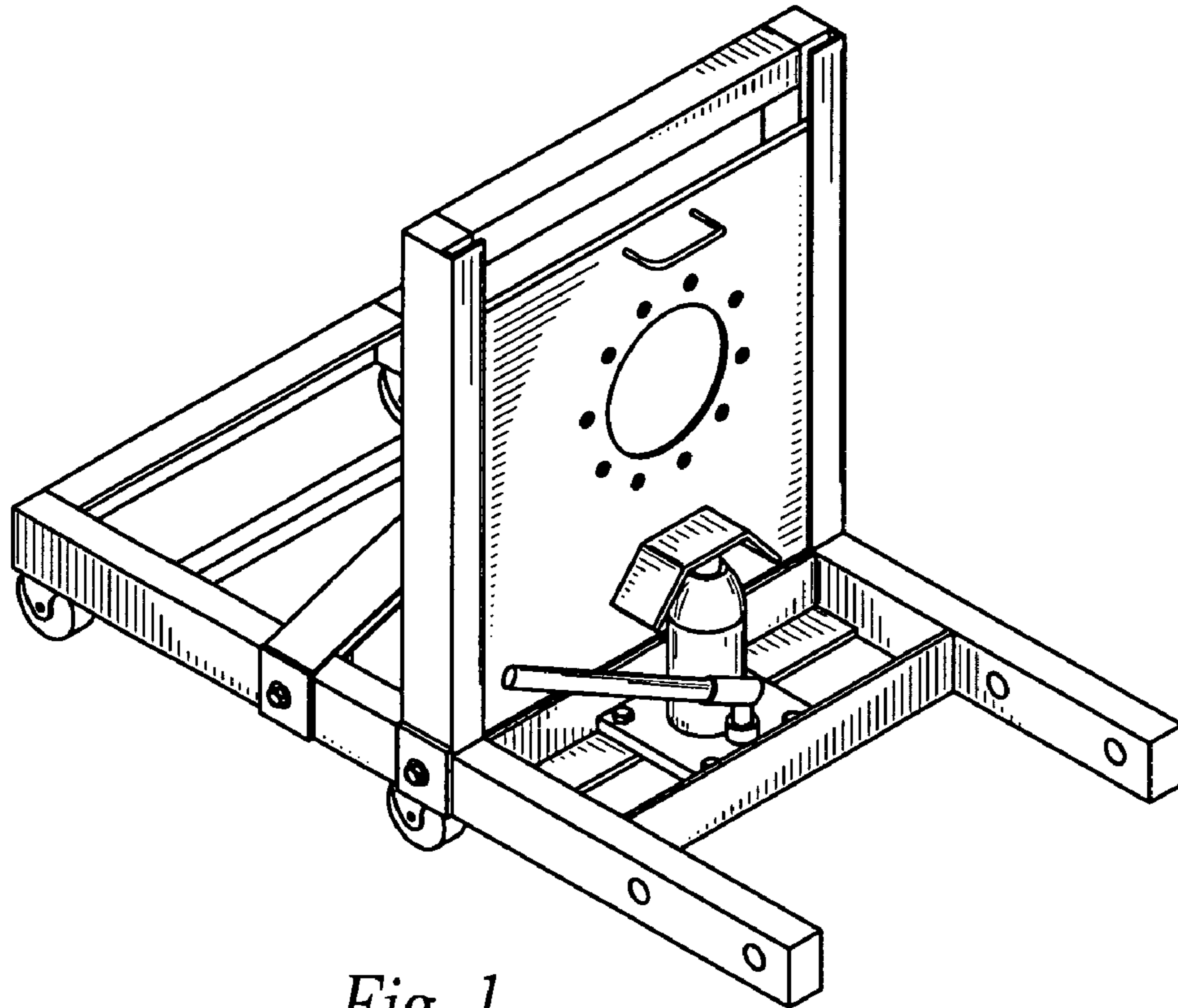


Fig. 1

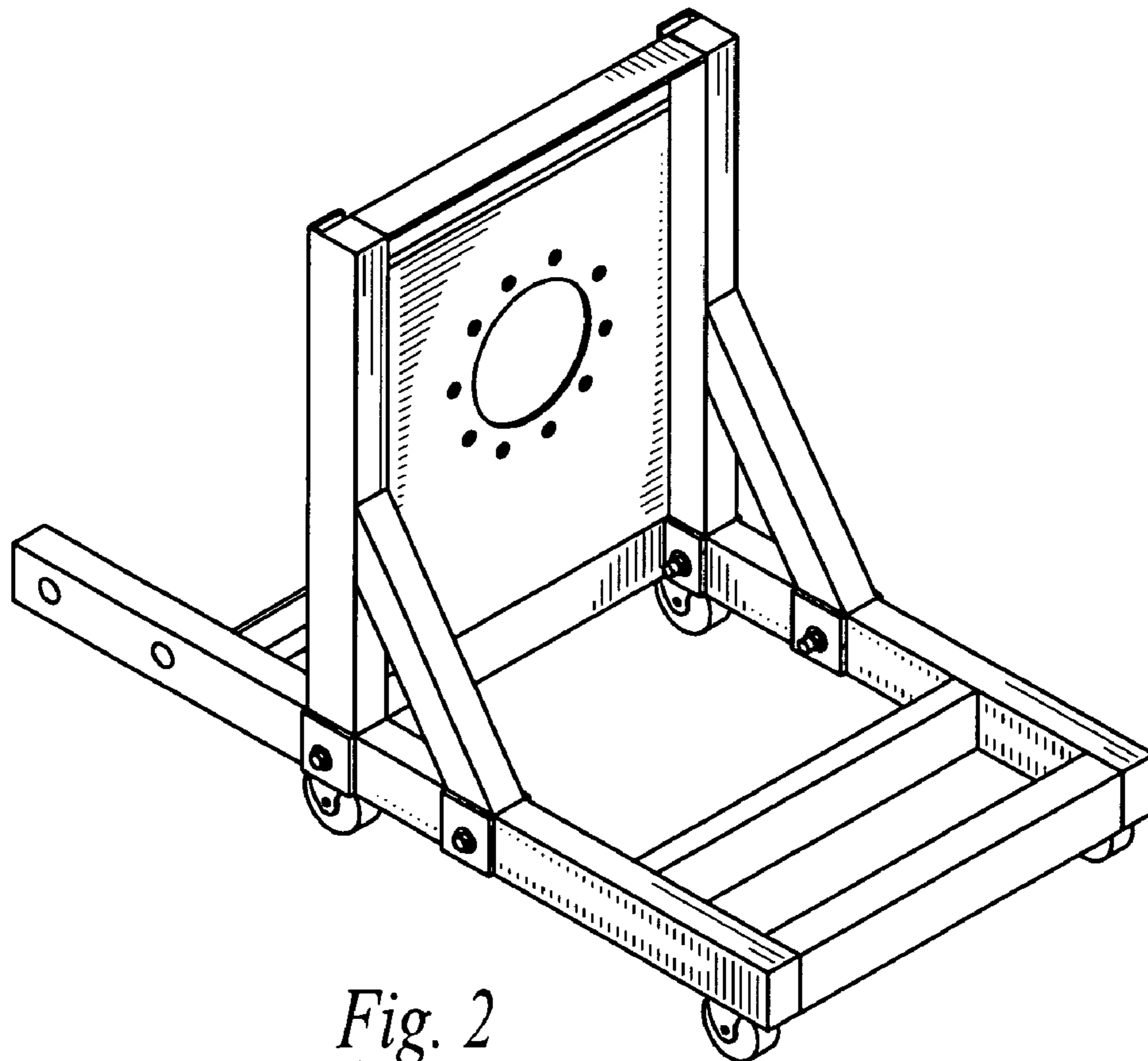


Fig. 2

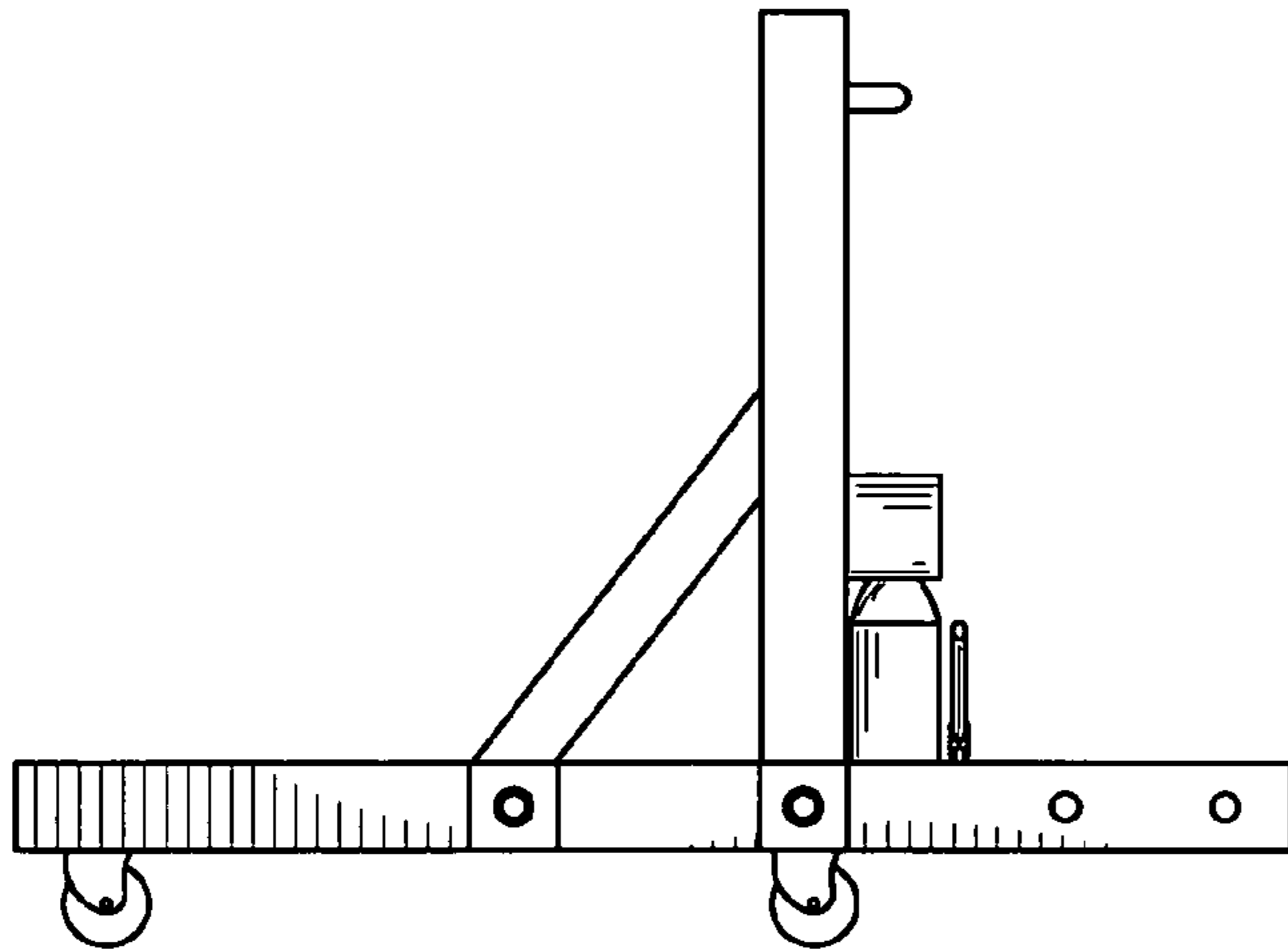


Fig. 3

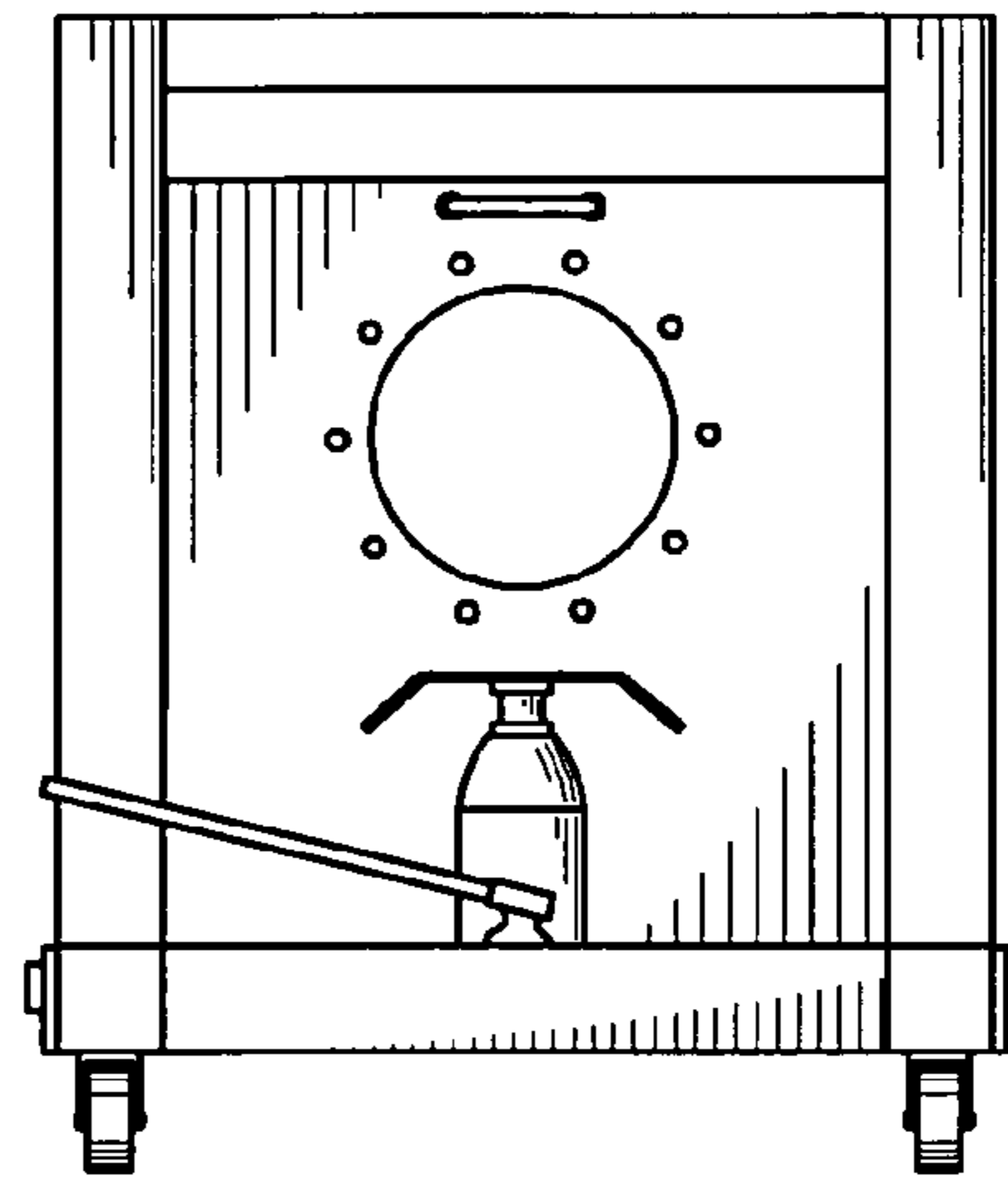


Fig. 5

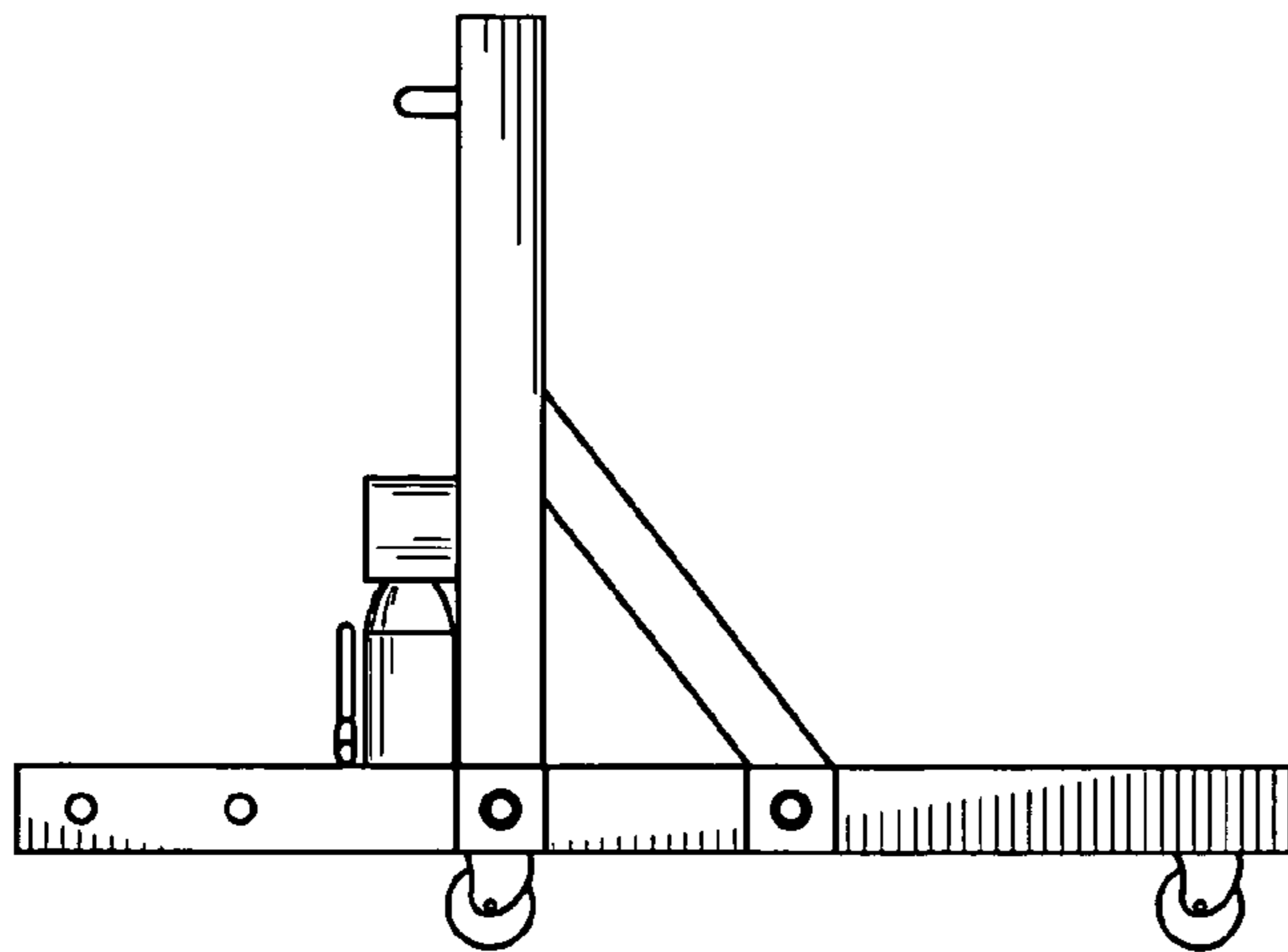


Fig. 4

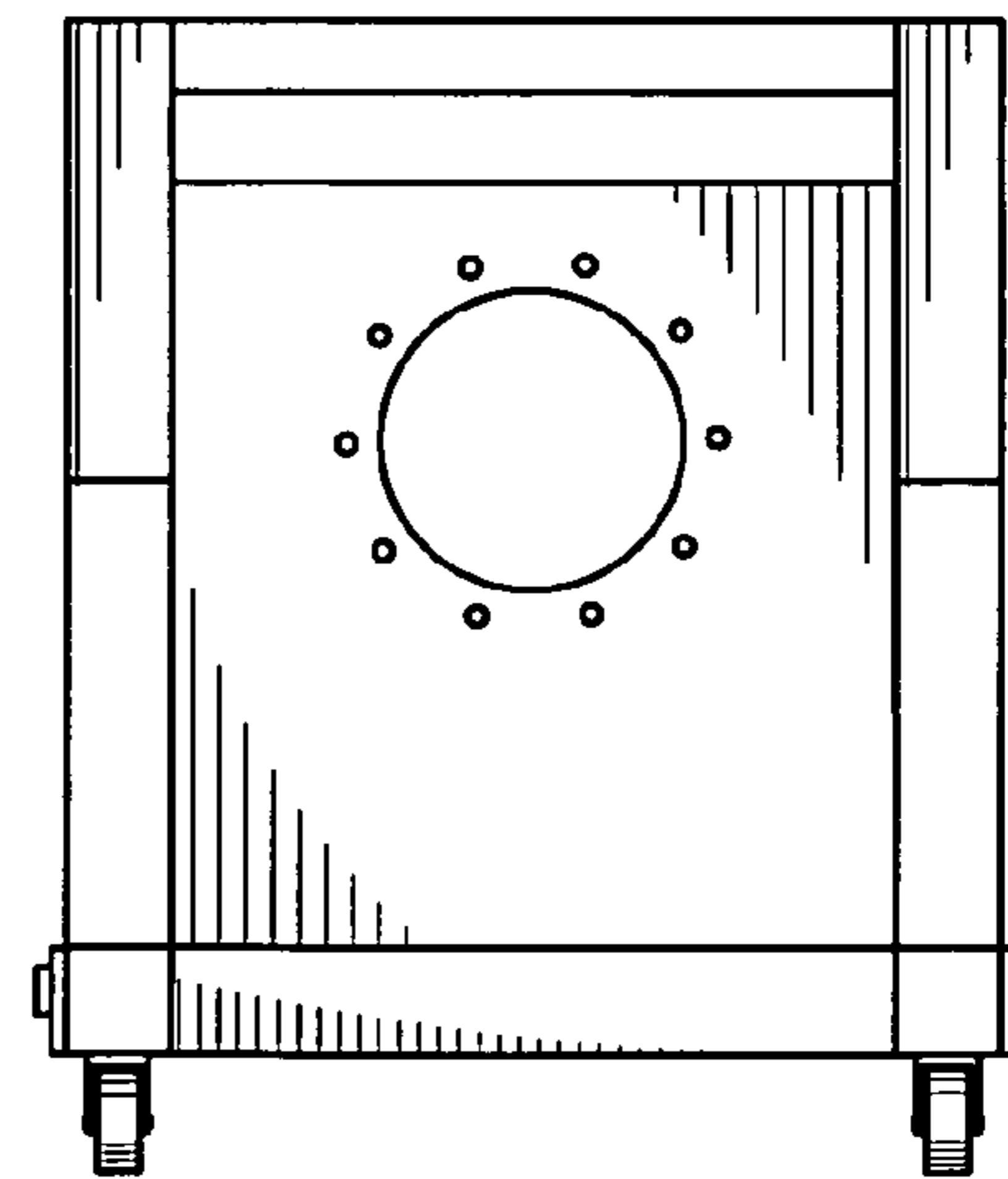


Fig. 6

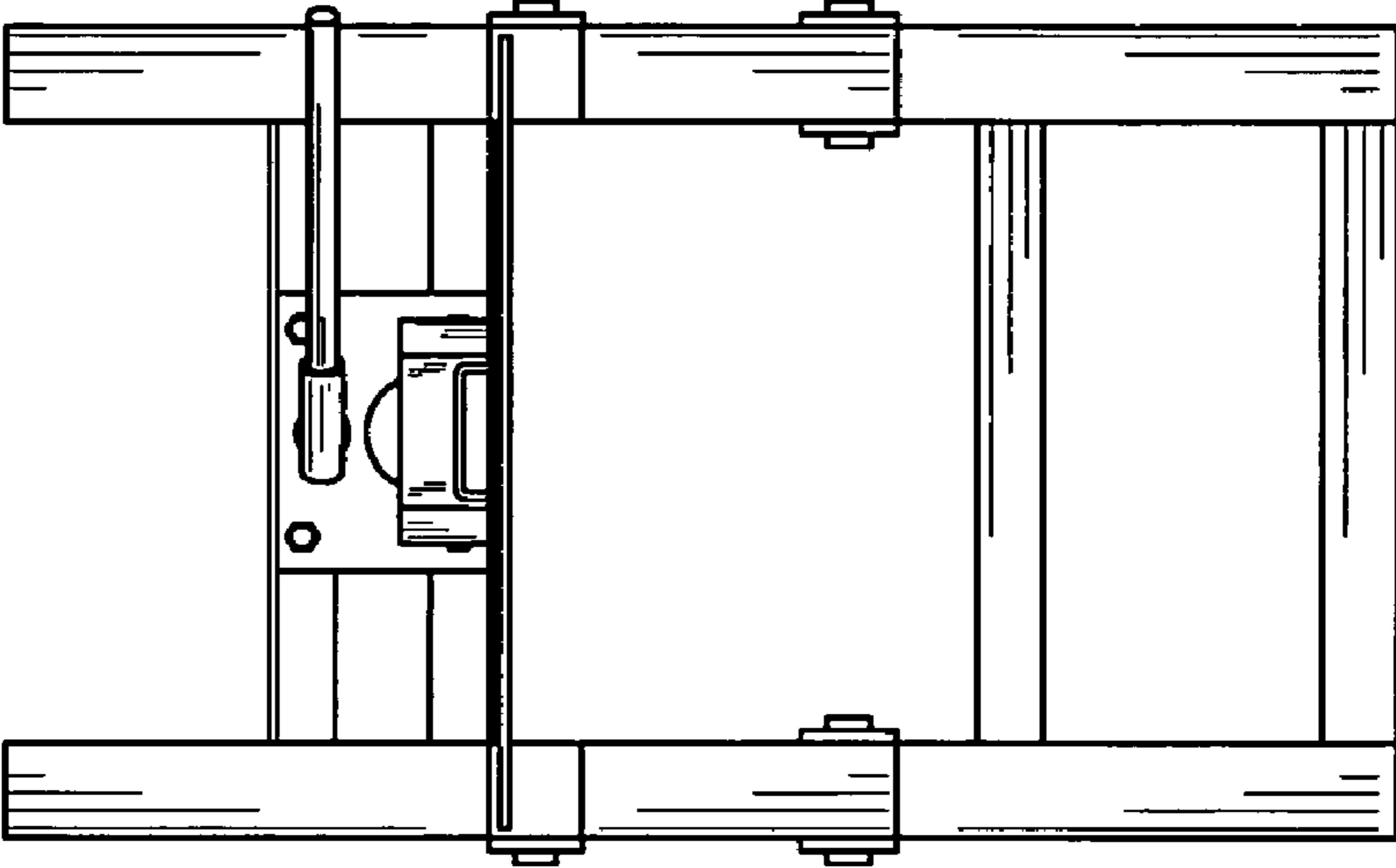


Fig. 7

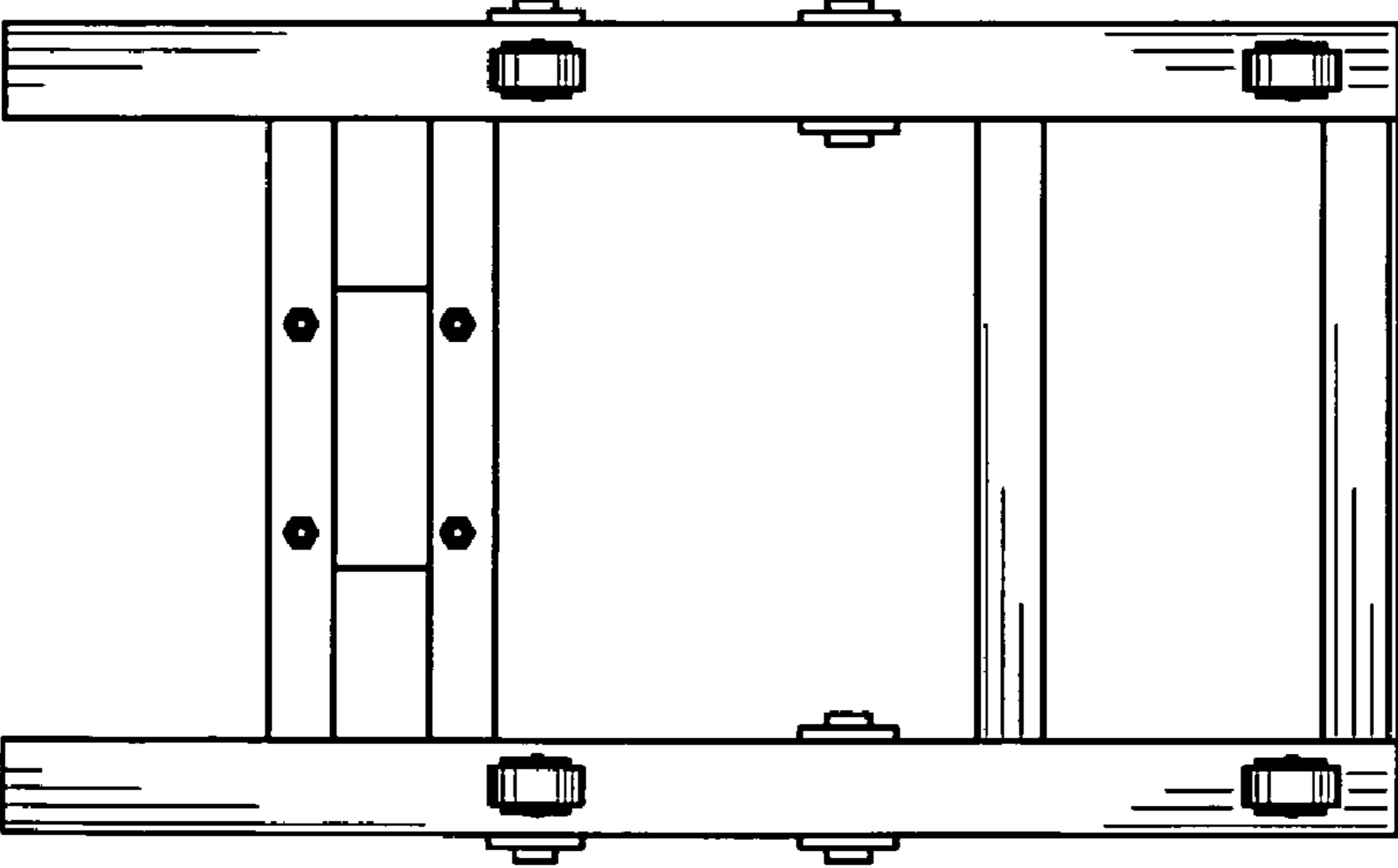


Fig. 8