



US00D592374S

(12) **United States Design Patent**  
**Zenkus et al.**

(10) **Patent No.:** **US D592,374 S**  
(45) **Date of Patent:** **\*\* May 12, 2009**

(54) **WHEELED CART**

(75) Inventors: **Joseph J. Zenkus**, Lake in the Hills, IL (US); **Mark Kurth**, Chicago, IL (US)

(73) Assignee: **Schumacher Electric Corporation**, Mt. Prospect, IL (US)

(\*\*) Term: **14 Years**

(21) Appl. No.: **29/324,408**

(22) Filed: **Sep. 11, 2008**

(51) **LOC (9) Cl.** ..... **12-02**

(52) **U.S. Cl.** ..... **D34/24**

(58) **Field of Classification Search** ..... D34/12-27;  
280/47.19, 47.26, 47.29, 47.35, 651, 684  
See application file for complete search history.

(56) **References Cited**

**U.S. PATENT DOCUMENTS**

2,842,373	A *	7/1958	Duerr	.....	280/47.19
5,203,578	A *	4/1993	Davidson et al.	.....	280/33.991
D345,842	S *	4/1994	Sloan et al.	.....	D34/26
D396,924	S *	8/1998	Cardenas	.....	D34/24
D408,606	S *	4/1999	Hurt	.....	D34/24
D441,935	S *	5/2001	Cook	.....	D34/24
2003/0146589	A1 *	8/2003	Jarko et al.	.....	280/47.19
2004/0108669	A1 *	6/2004	Tsai	.....	280/47.29
2006/0226619	A1 *	10/2006	Sadow	.....	280/47.26

**OTHER PUBLICATIONS**

Schumacher Product Sheet for PSW-30060 A“6/12 Volt Automatic Multi-Stage Charger/Engine Starter,” Released 2004.

\* cited by examiner

*Primary Examiner*—Cynthia E Ramirez

(74) *Attorney, Agent, or Firm*—John S. Paniaguas; Katten Muchin Rosenman LLP

(57) **CLAIM**

The ornamental design for the wheeled cart, as shown and described.

**DESCRIPTION**

FIG. 1 is a left side elevational view of the wheeled cart in accordance with the present invention;

FIG. 2 is a front elevational view of the wheeled cart illustrated in FIG. 1;

FIG. 3 is a right side elevational view of the wheeled cart illustrated in FIG. 1;

FIG. 4 is a rear elevational view of the wheeled cart illustrated in FIG. 1;

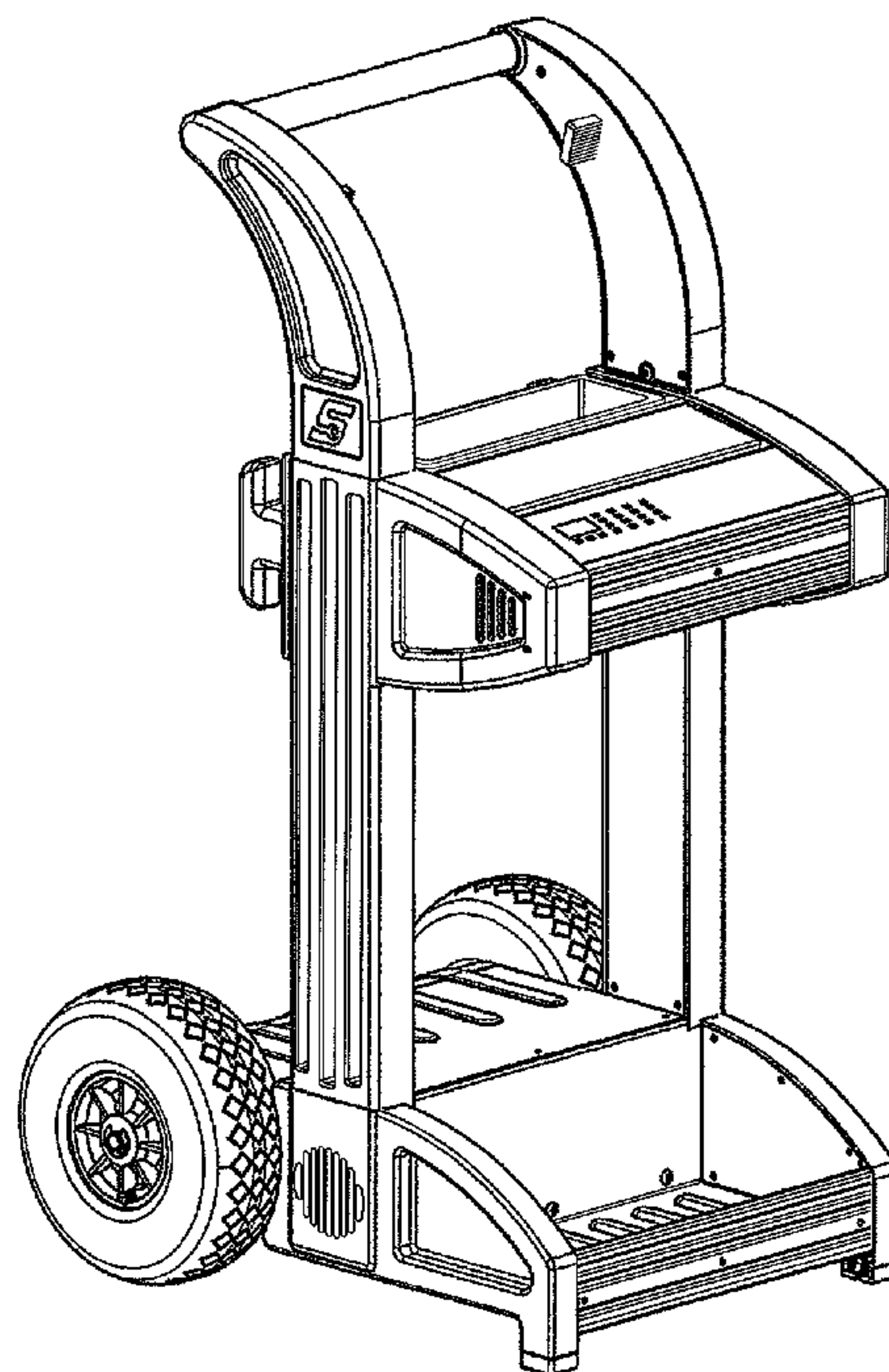
FIG. 5 is a top plan view of the wheeled cart illustrated in FIG. 1;

FIG. 6 is a bottom plan view of the wheeled cart illustrated in FIG. 1;

FIG. 7 is an isometric view of the wheeled cart illustrated in FIG. 1 illustrating the wheeled cart from a front and top perspective; and,

FIG. 8 is an isometric view of the wheeled cart illustrated in FIG. 1 illustrating the wheeled cart from a bottom and rear perspective.

**1 Claim, 4 Drawing Sheets**



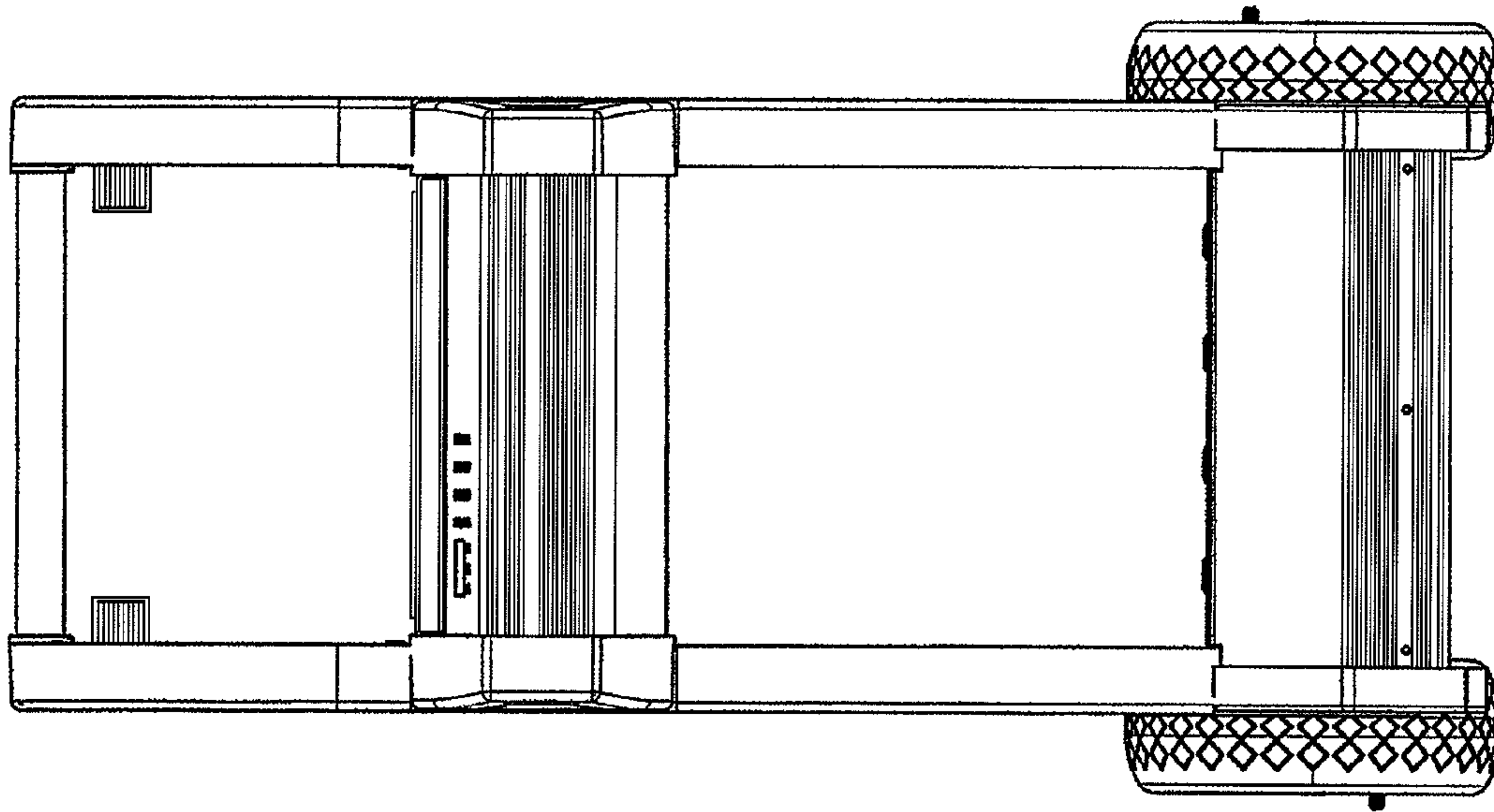


FIG. 2

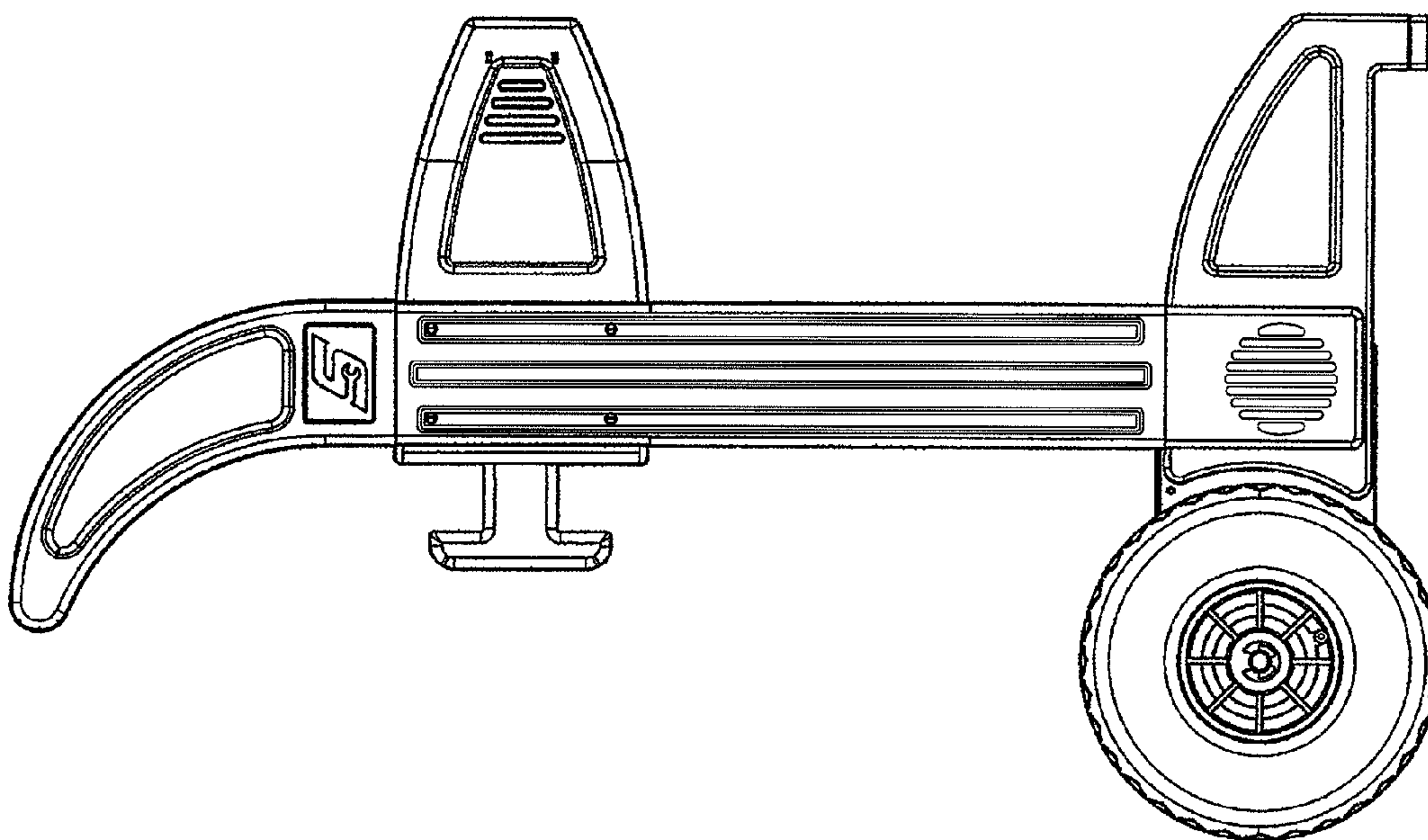


FIG. 1

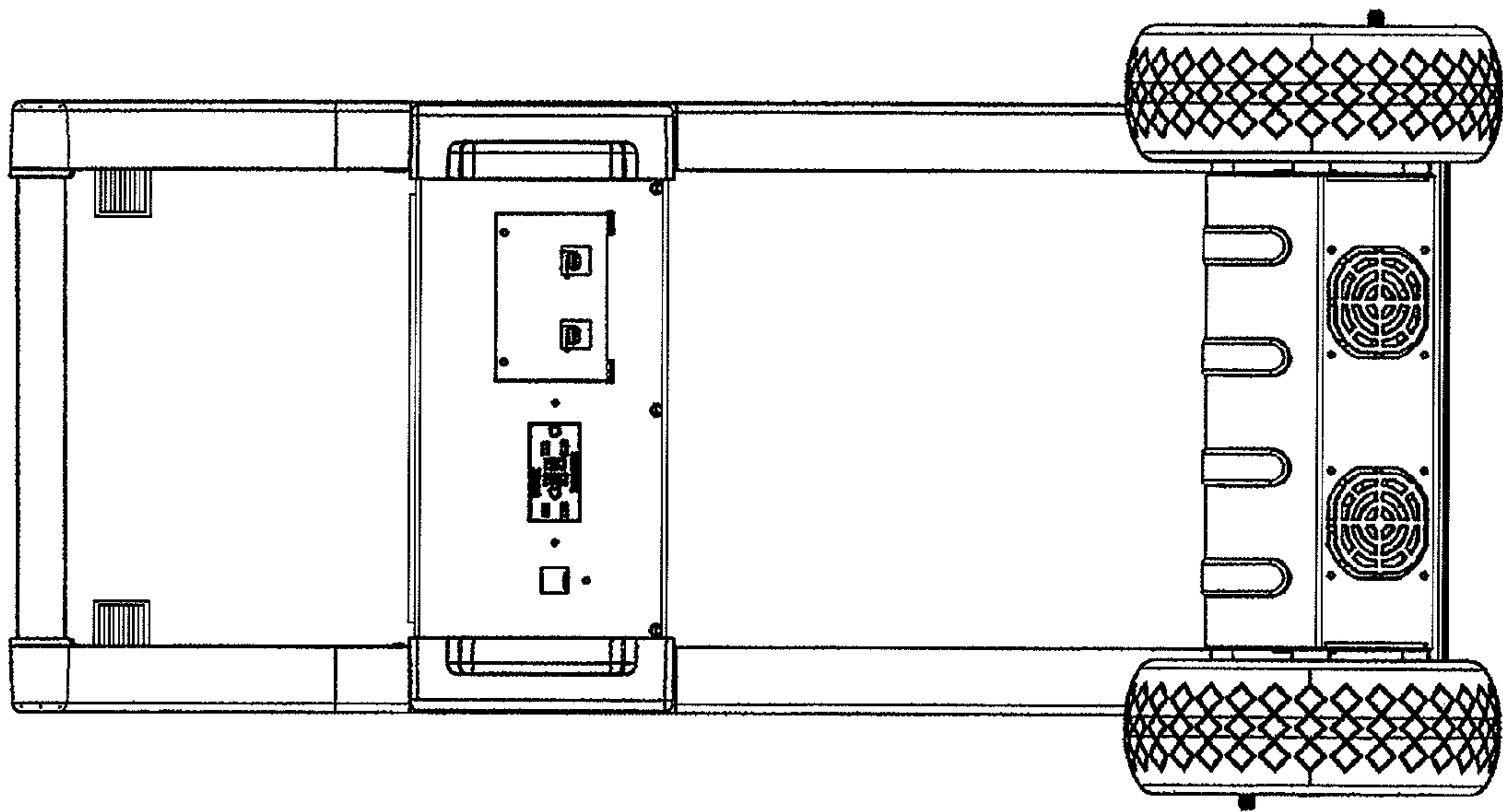


FIG. 4

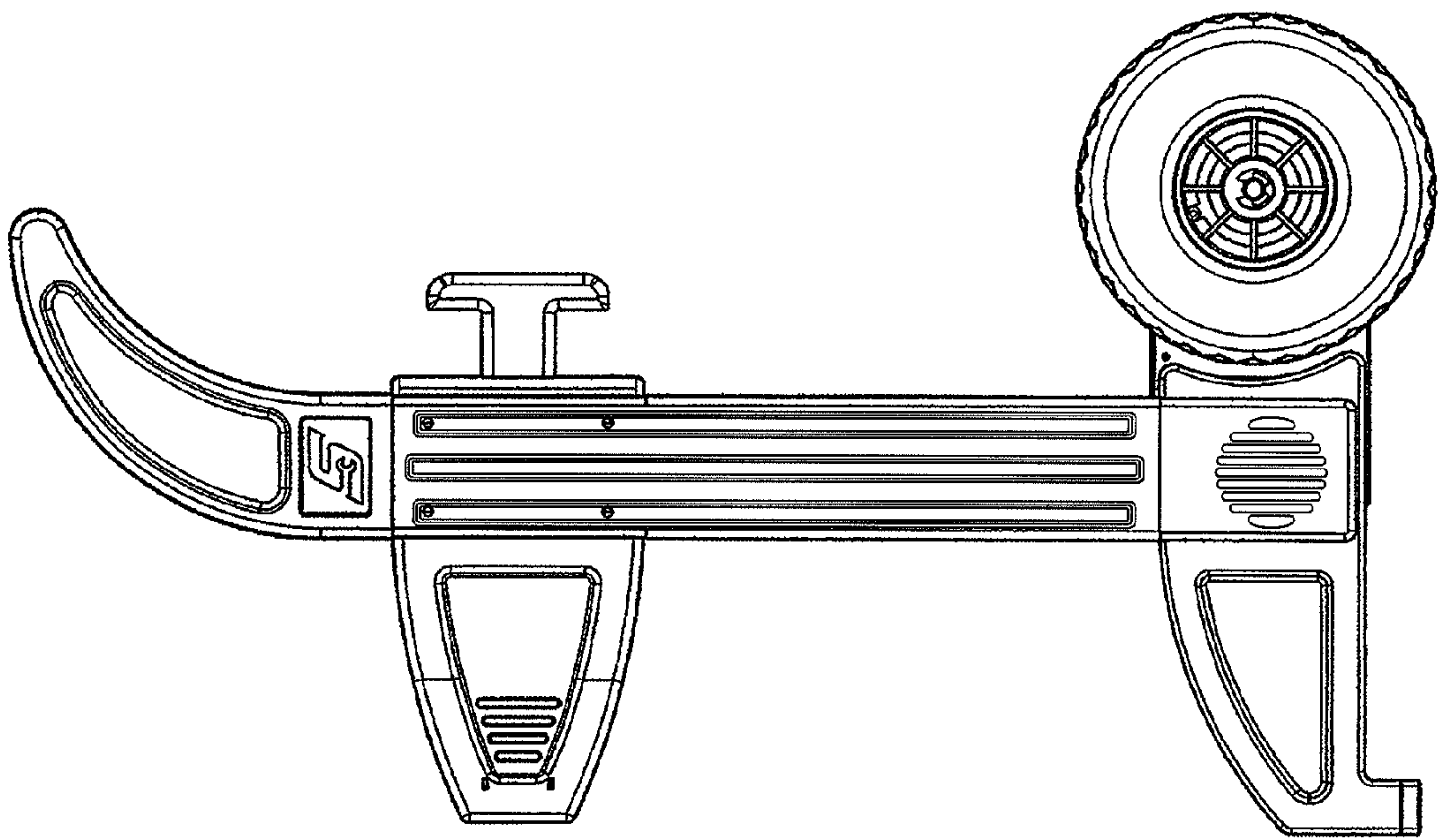


FIG. 3



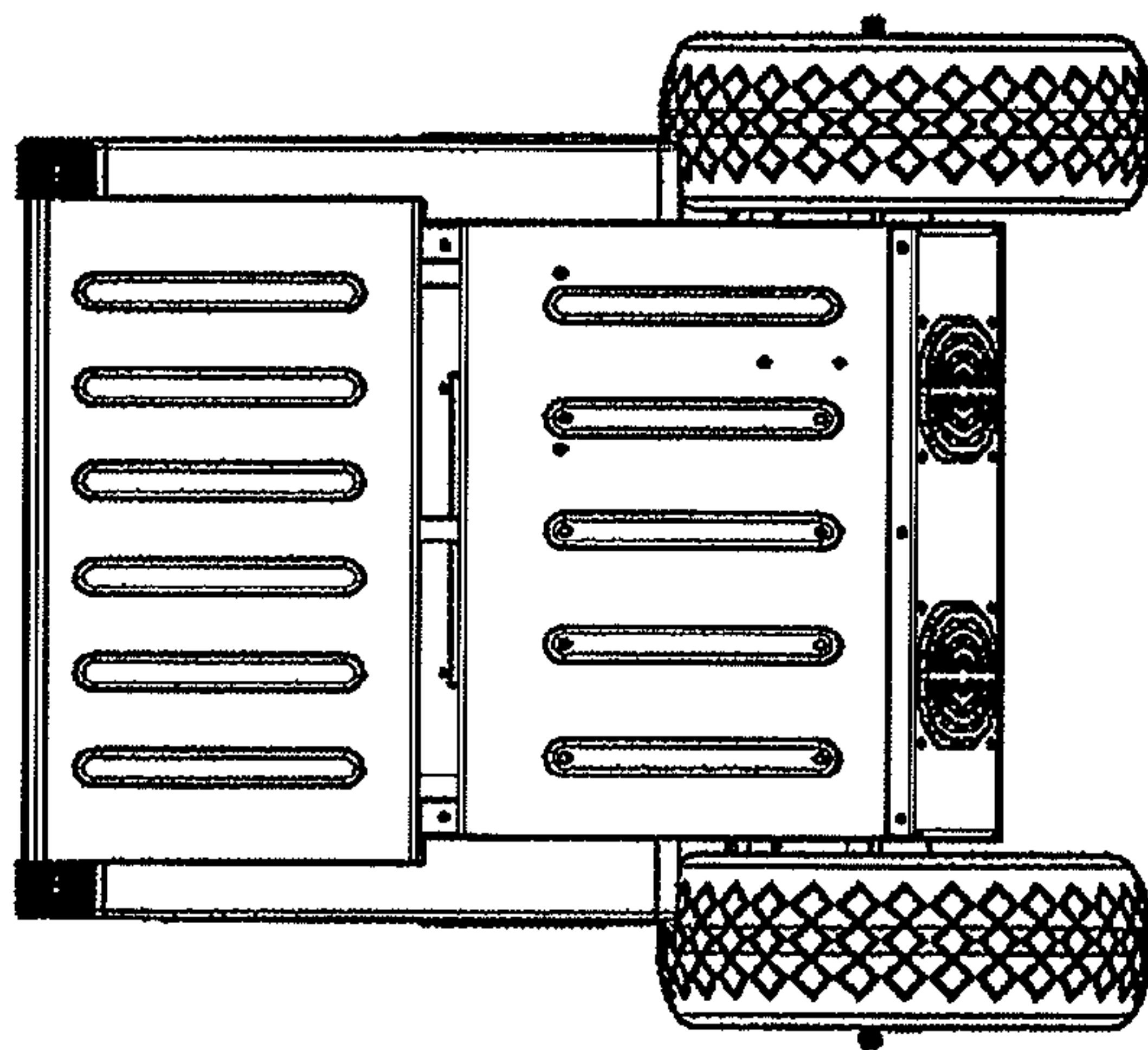


FIG. 6

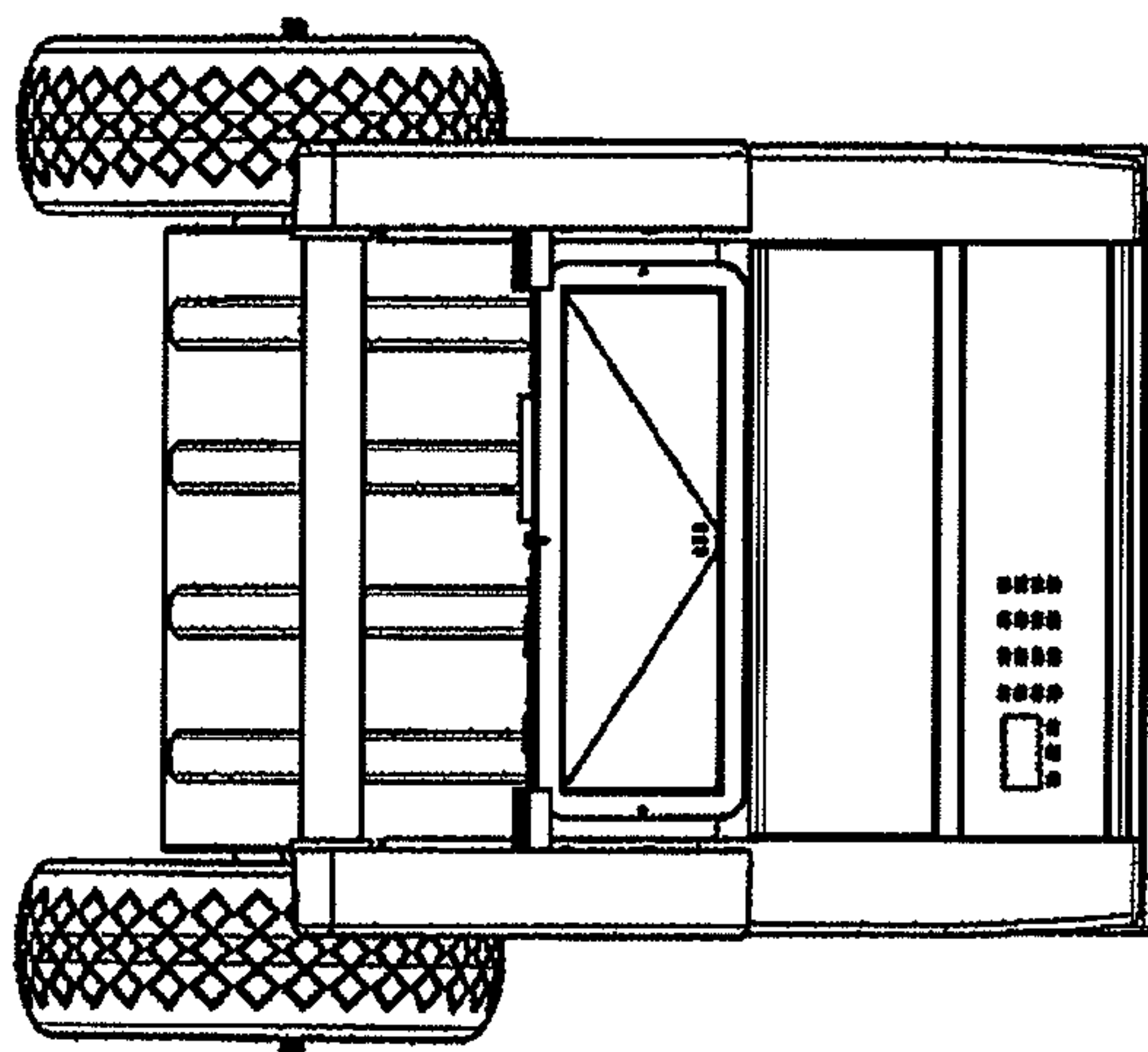


FIG. 5

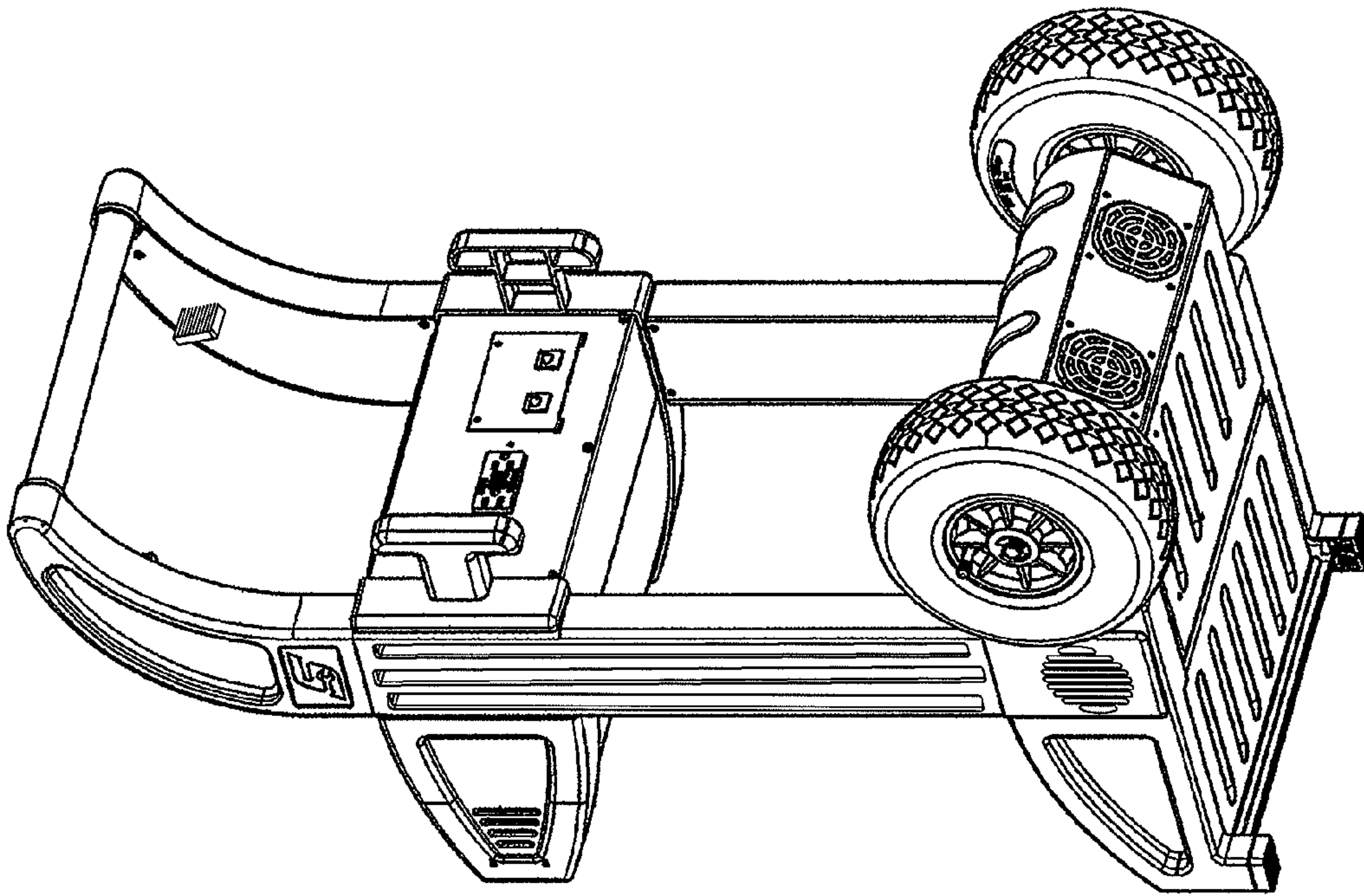


FIG. 8

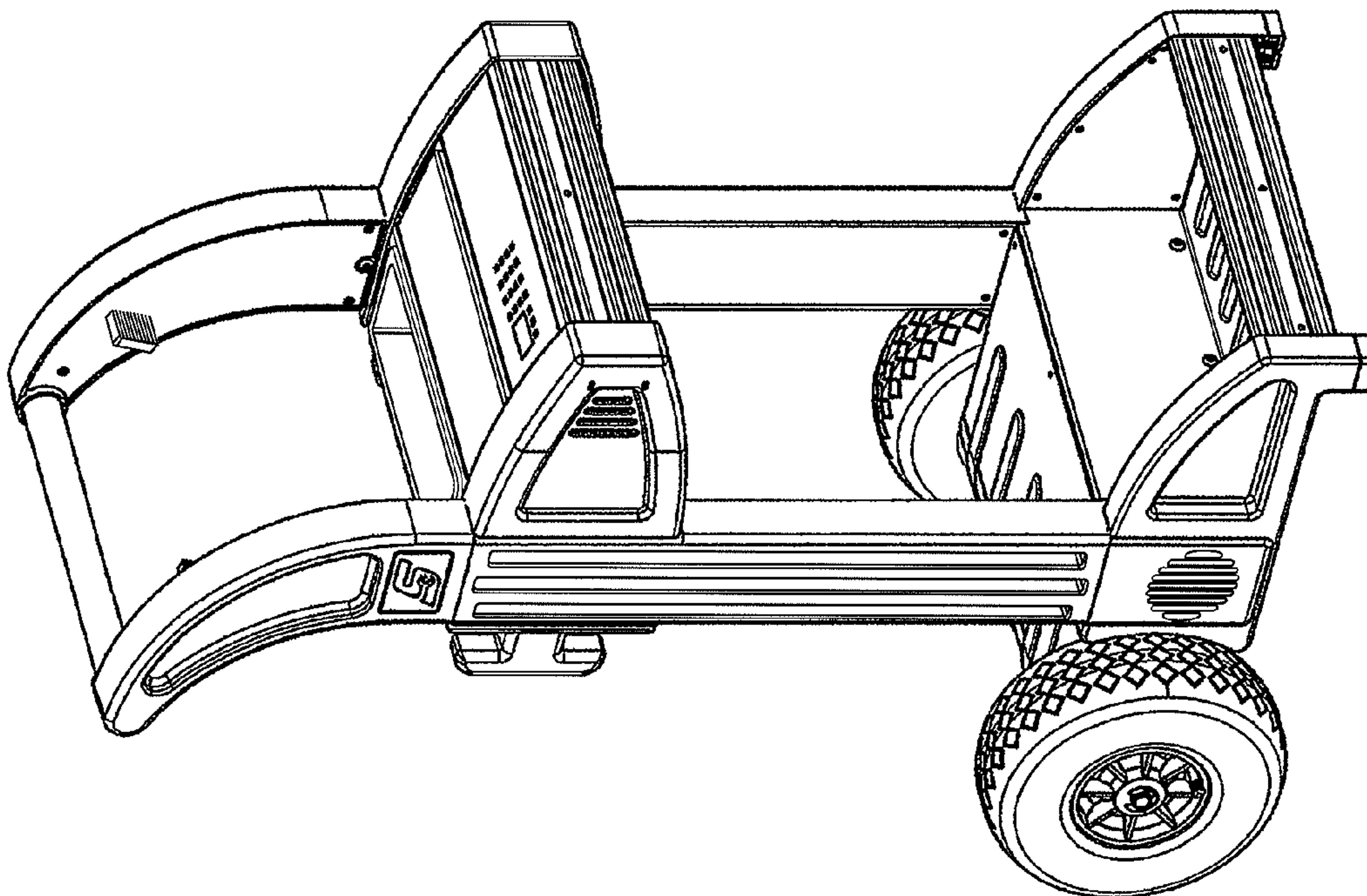


FIG. 7