

US00D592373S

(12) **United States Design Patent**
Evans et al.

(10) **Patent No.:** **US D592,373 S**
(45) **Date of Patent:** **** May 12, 2009**

(54) **ATTACHMENT DEVICE FOR A PUSHCHAIR**

(76) Inventors: **Charlotte Evans**, 37 St Marks Rd.,
Windsor, Berkshire SL4 3BD (GB);
Carolyn Jarvis, 37 St Marks Rd.,
Windsor, Berkshire SL4 3BD (GB)

(**) Term: **14 Years**

(21) Appl. No.: **29/278,752**

(22) Filed: **Apr. 9, 2007**

(30) **Foreign Application Priority Data**

Oct. 7, 2006 (EM) 000601307-0001

(51) **LOC (9) Cl.** **12-02**

(52) **U.S. Cl.** **D34/23; D12/133**

(58) **Field of Classification Search** D12/128-133;
280/62, 647-650, 29, 200, 47.38, 35, 250.1,
280/259, 642, 658; D34/12, 23, 21, 27, 30;
D6/426

See application file for complete search history.

(56) **References Cited**

U.S. PATENT DOCUMENTS

2,763,491 A * 9/1956 Shafer, Jr. 280/35
2,961,250 A * 11/1960 Beach 280/35
D340,562 S * 10/1993 Kean et al. D34/23

5,628,522 A * 5/1997 Hall 280/43.17
D415,868 S * 10/1999 Hewitt D34/23
D427,406 S * 6/2000 Hartwall D34/23
D464,594 S * 10/2002 Wattenbarger, Jr. D12/128
D483,540 S * 12/2003 Murray et al. D34/21
D493,977 S * 8/2004 Rossini et al. D6/426

* cited by examiner

Primary Examiner—Charles A Rademaker

Assistant Examiner—Charles D Hanson

(74) *Attorney, Agent, or Firm*—Muskin & Cusick LLC

(57) **CLAIM**

The ornamental design for an attachment device for a pushchair, as shown and described.

DESCRIPTION

FIG. 1 is a left side view of an attachment device for a pushchair showing our new design;

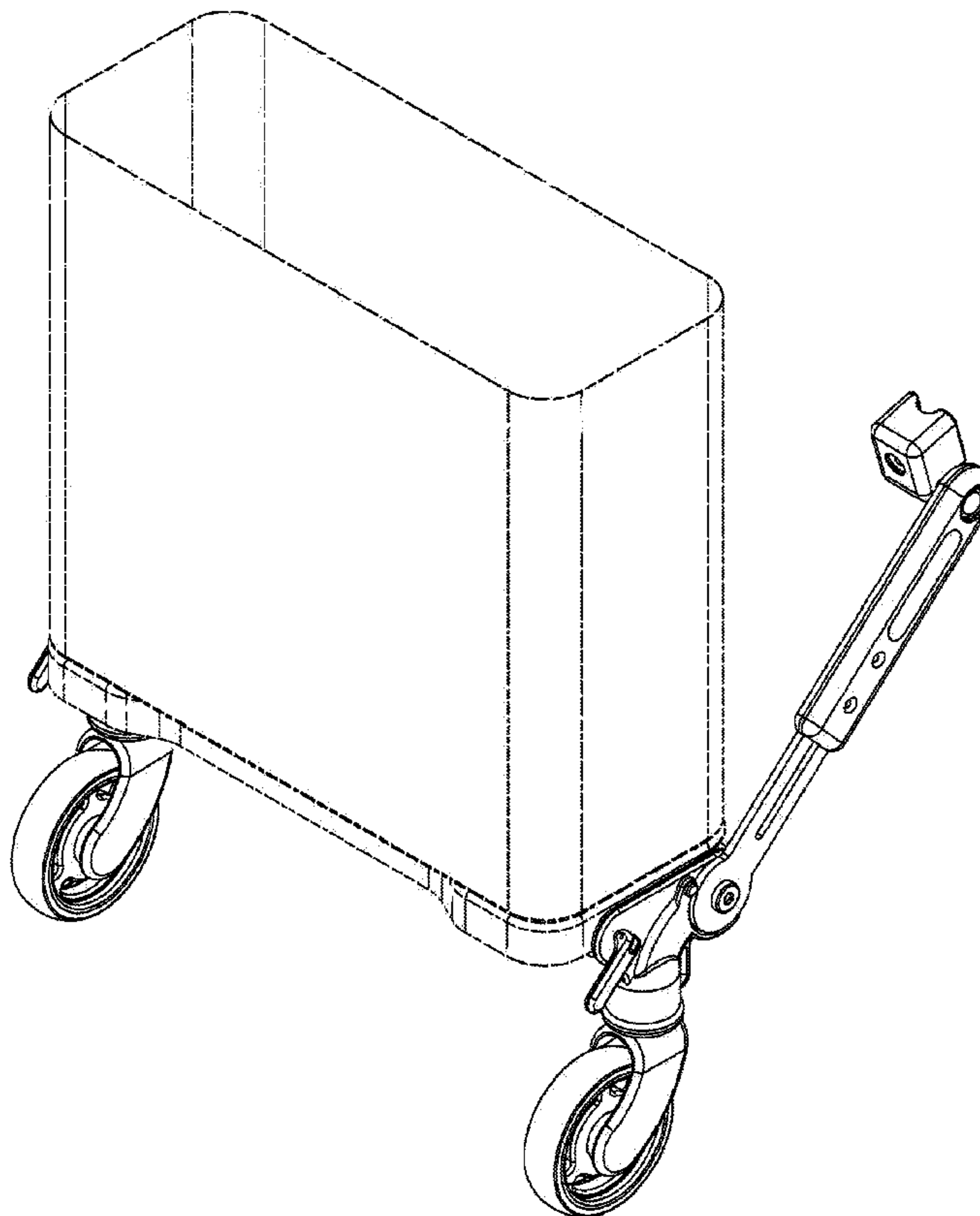
FIG. 2 is a right side view thereof;

FIG. 3 is a rear view thereof; and,

FIG. 4 is a perspective view thereof.

The broken lines are directed to environment and are for illustrative purposes only, thus forming no part of the claimed design.

1 Claim, 4 Drawing Sheets



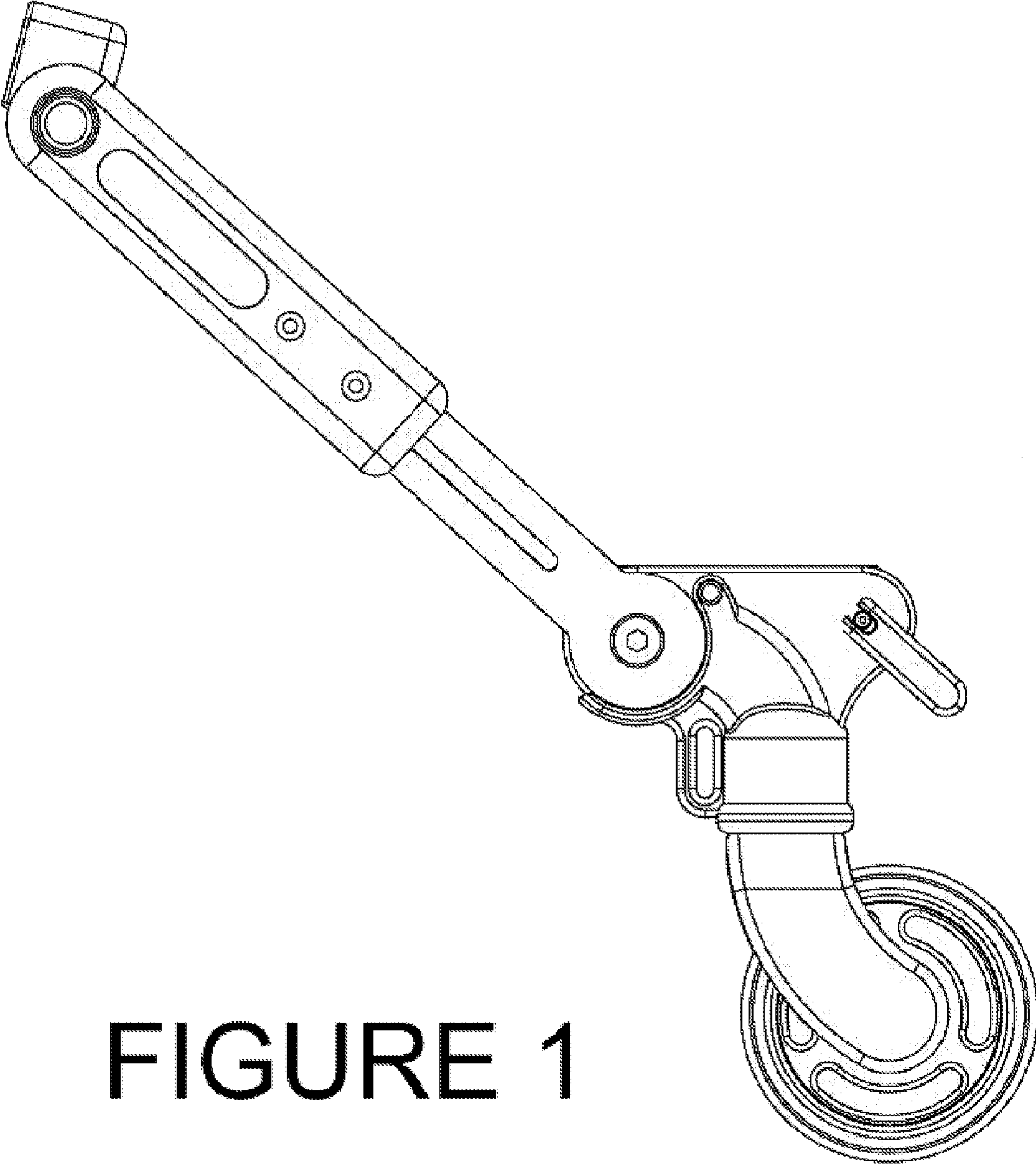


FIGURE 1

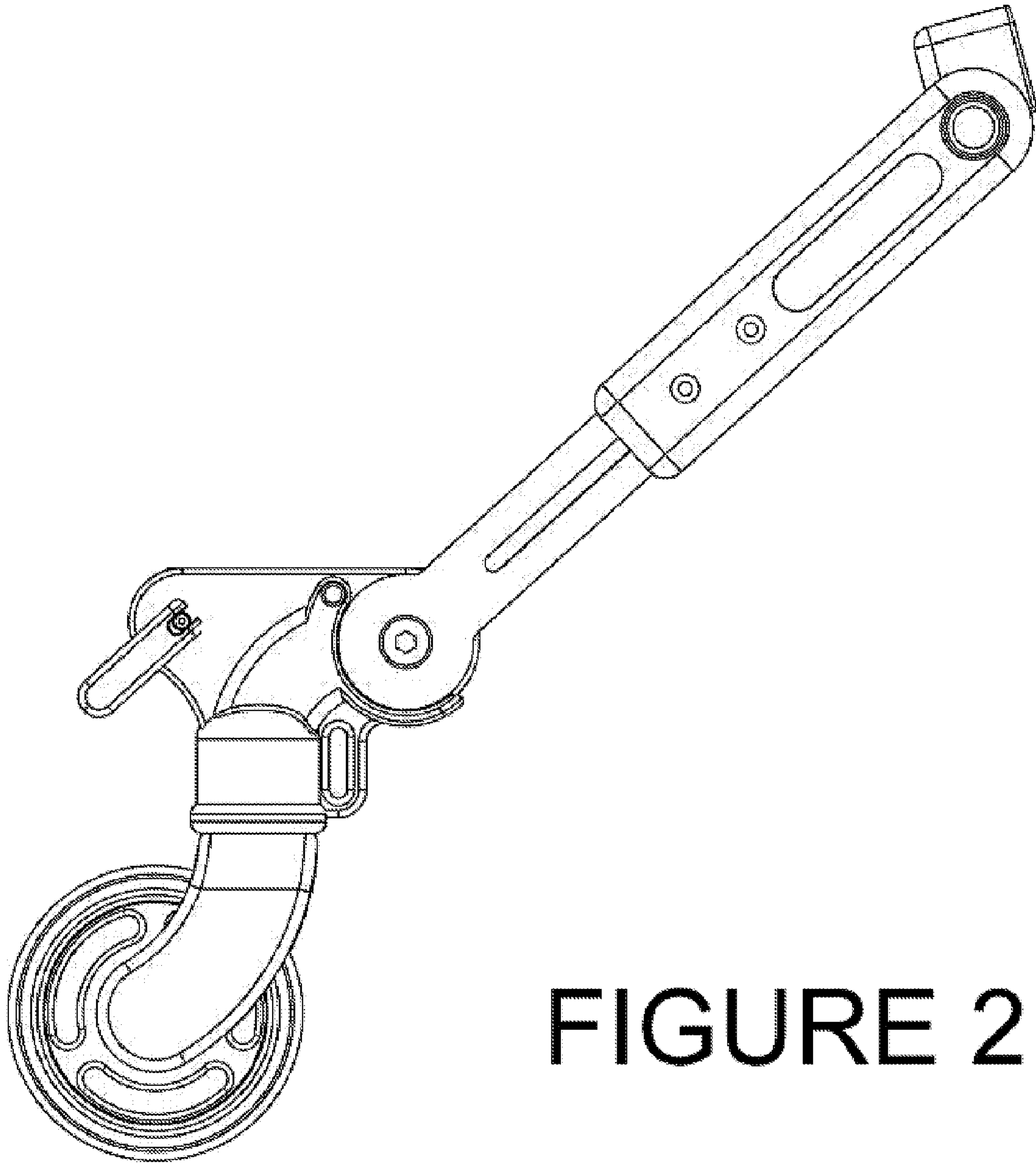


FIGURE 2

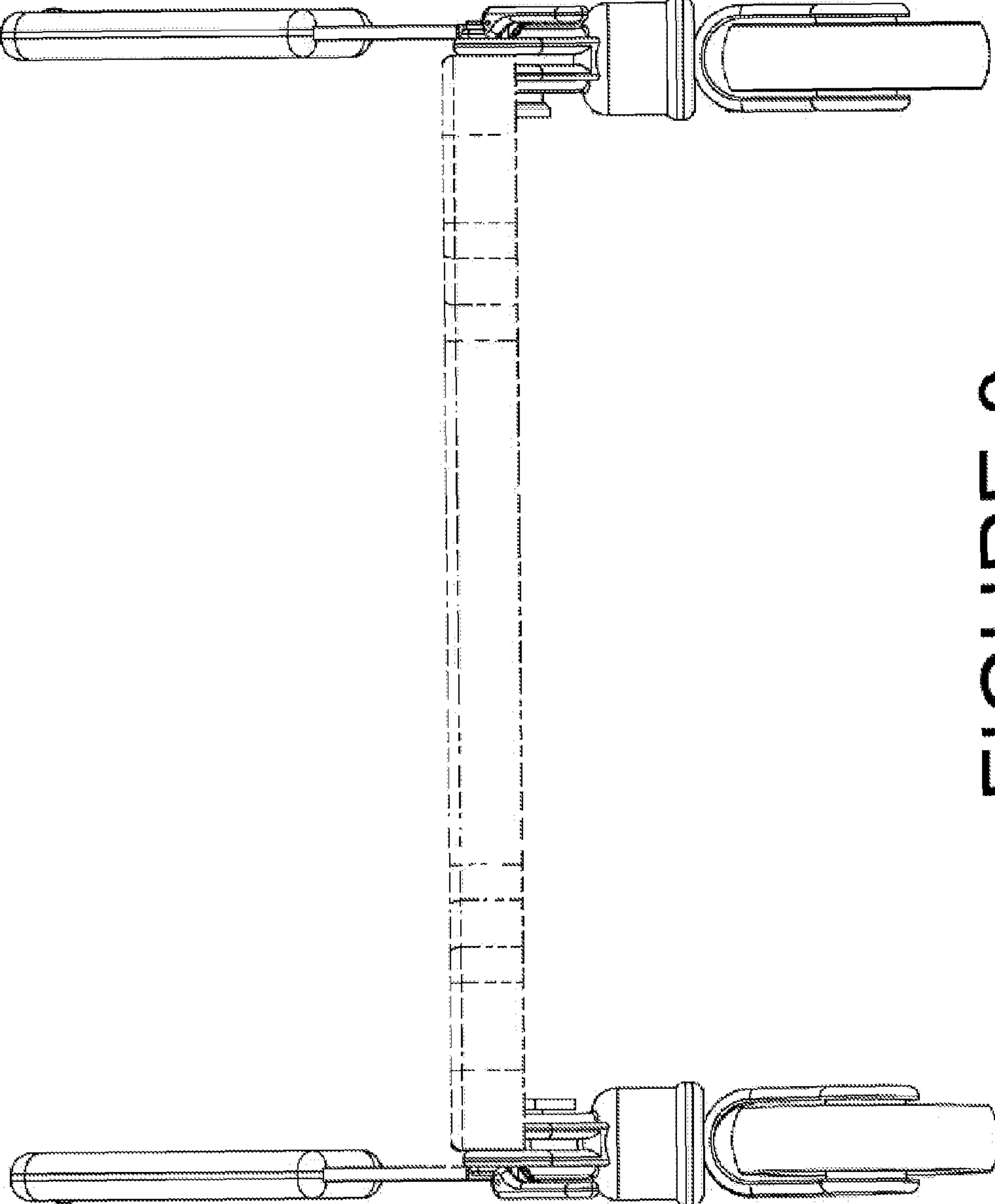


FIGURE 3

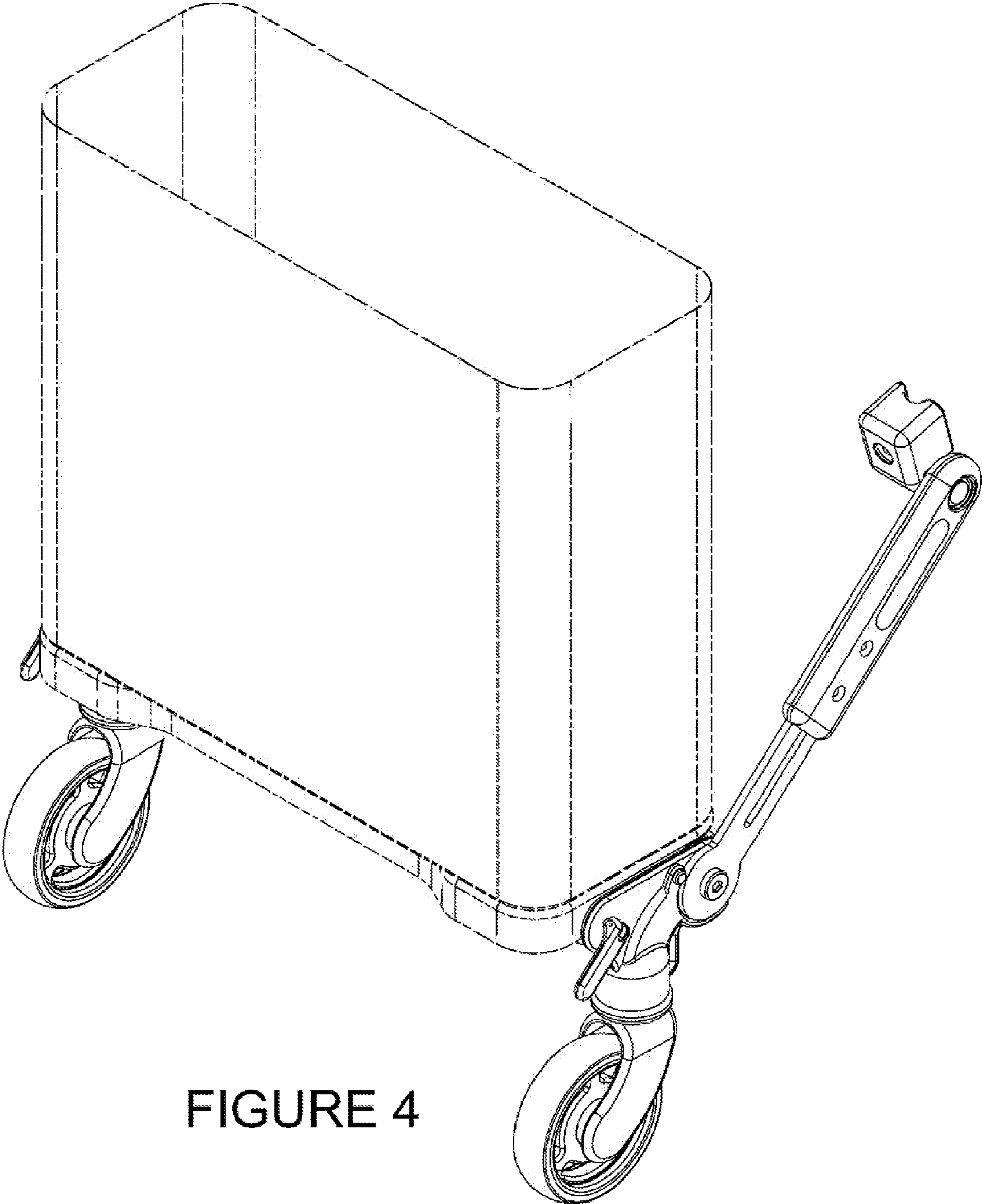


FIGURE 4