



US00D592372S

(12) **United States Design Patent**  
**Neuhaus**

(10) **Patent No.:** **US D592,372 S**

(45) **Date of Patent:** **\*\* May 12, 2009**

(54) **WASTE BIN**

(75) Inventor: **Egbert Neuhaus**, Arnsberg (DE)

(73) Assignee: **Westermann KC** (DE)

(\*\*) Term: **14 Years**

(21) Appl. No.: **29/318,942**

(22) Filed: **May 30, 2008**

**Related U.S. Application Data**

(62) Division of application No. 29/259,197, filed on May 4, 2006, now Pat. No. Des. 578,721.

**Foreign Application Priority Data**

Nov. 11, 2005 (DE) ..... 40505819

(51) **LOC (9) Cl.** ..... **09-09**

(52) **U.S. Cl.** ..... **D34/9**

(58) **Field of Classification Search** ..... D34/1-11;  
220/908-913, 262-264, 252, 253

See application file for complete search history.

(56) **References Cited**

**U.S. PATENT DOCUMENTS**

329,026 A \* 10/1885 De La Vergne, Jr. .... 222/111  
1,333,051 A \* 3/1920 Young ..... 220/252

2,063,507 A \* 12/1936 Karper ..... 220/263  
D416,658 S \* 11/1999 Houry ..... D34/7  
D423,168 S \* 4/2000 Studstill ..... D34/7  
D486,285 S \* 2/2004 Kuo ..... D34/9  
D578,721 S \* 10/2008 Neuhaus ..... D34/7  
2005/0017006 A1 \* 1/2005 Kuo ..... 220/263  
2006/0278643 A1 \* 12/2006 Chiou ..... 220/263

\* cited by examiner

*Primary Examiner*—Cynthia E Ramirez

(74) *Attorney, Agent, or Firm*—St. Onge Steward Johnston & Reens LLC

(57) **CLAIM**

The ornamental design for a waste bin, as shown and described.

**DESCRIPTION**

FIG. 1 is a front elevation view of a waste bin in accordance with my new design;

FIG. 2 is a left side view of the waste bin of FIG. 1;

FIG. 3 is a rear view of the waste bin of FIG. 1;

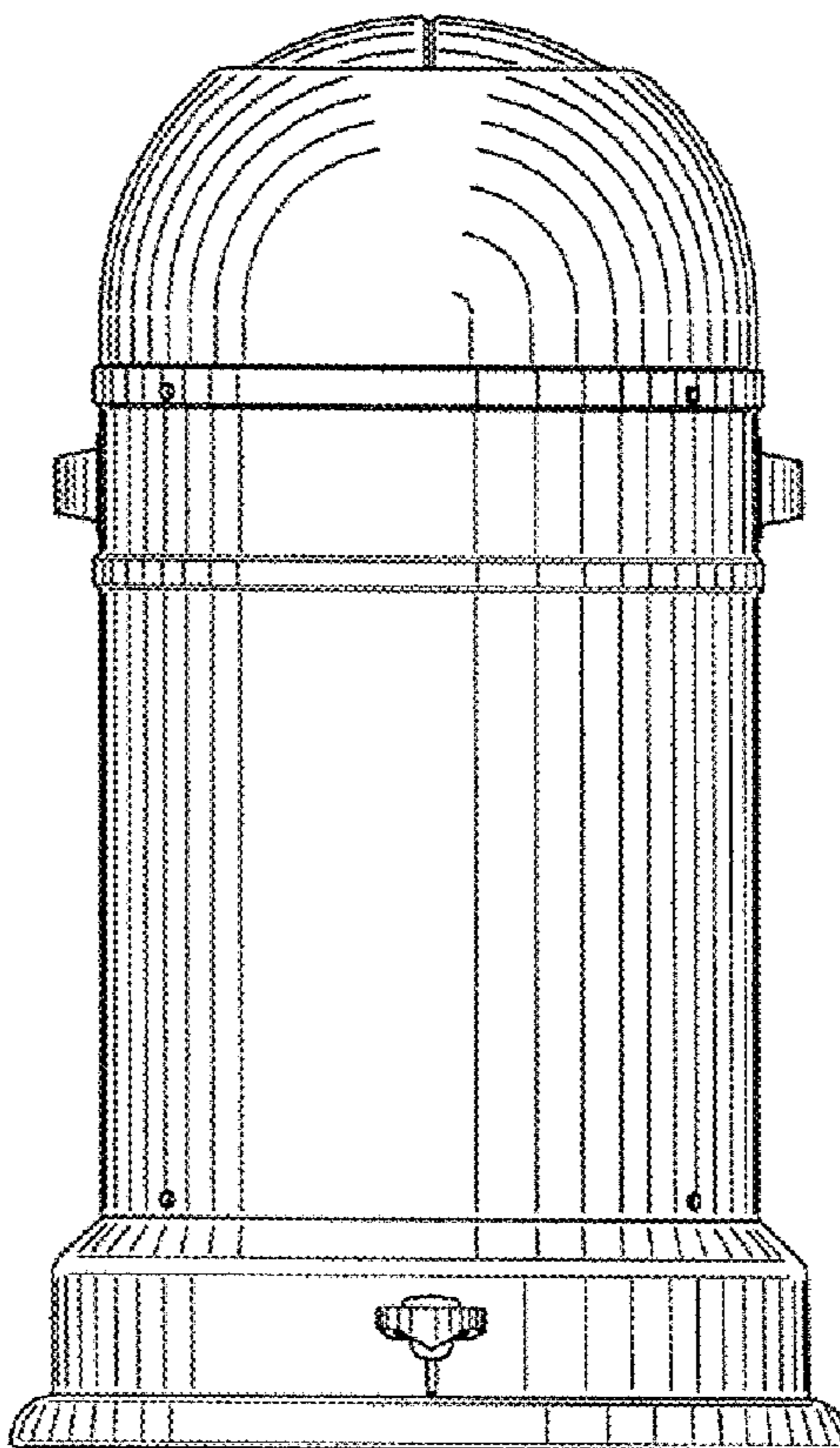
FIG. 4 is a right side view of the waste bin of FIG. 1;

FIG. 5 is a top plan view of the waste bin of FIG. 1;

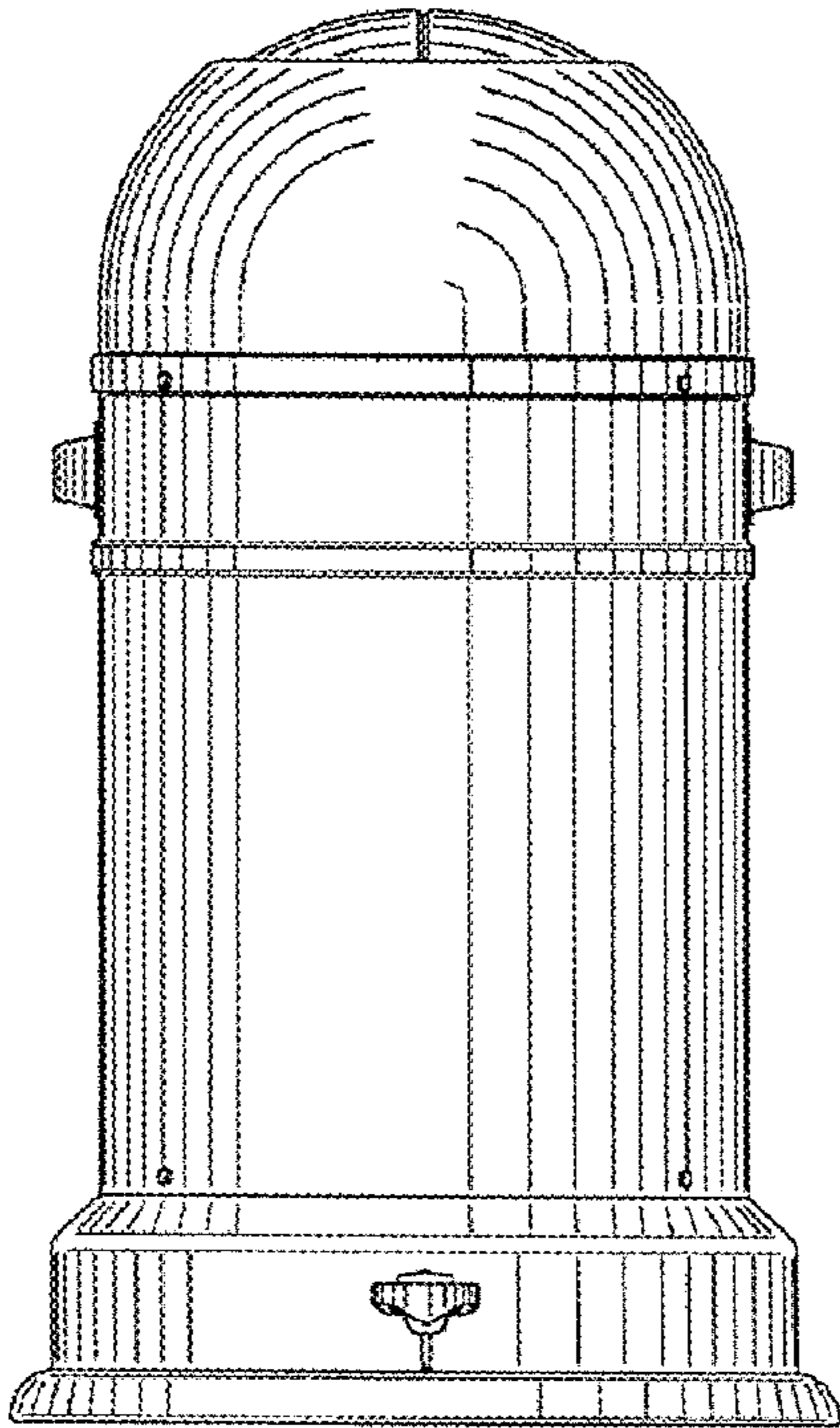
FIG. 6 is a bottom view of the waste bin of FIG. 1; and,

FIG. 7 is a front isometric view of the waste bin of FIG. 1.

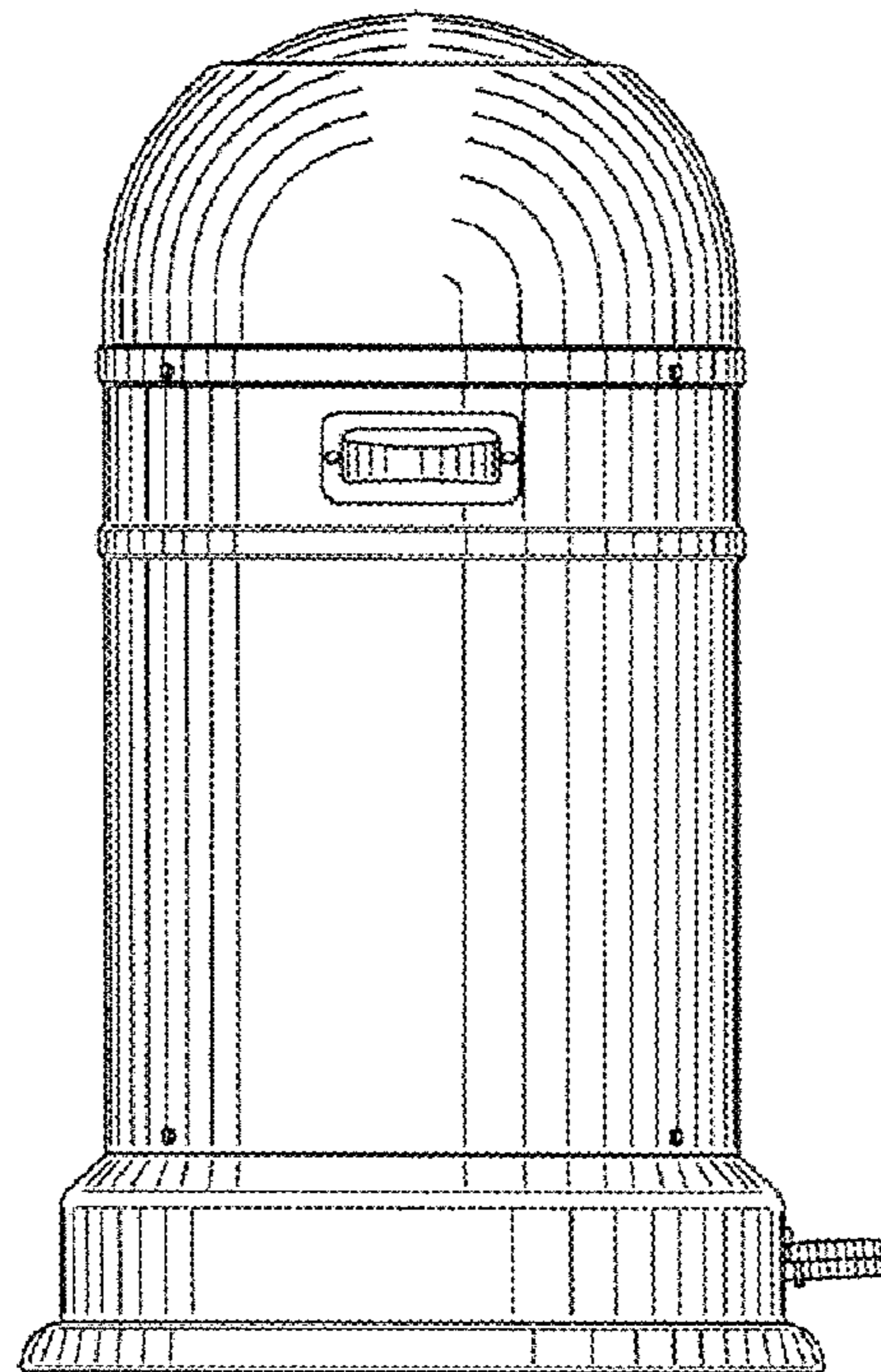
**1 Claim, 2 Drawing Sheets**



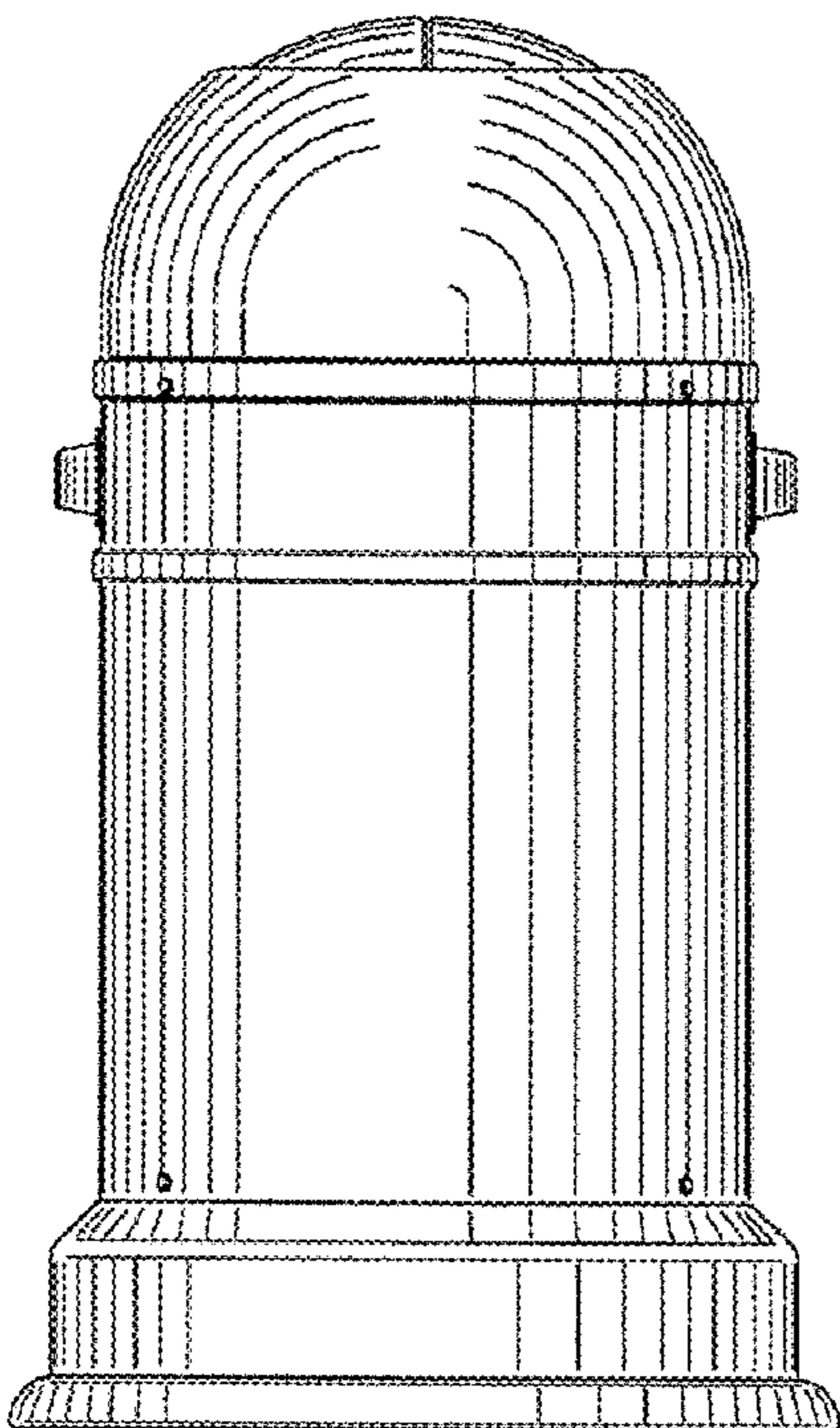
***Fig. 1***



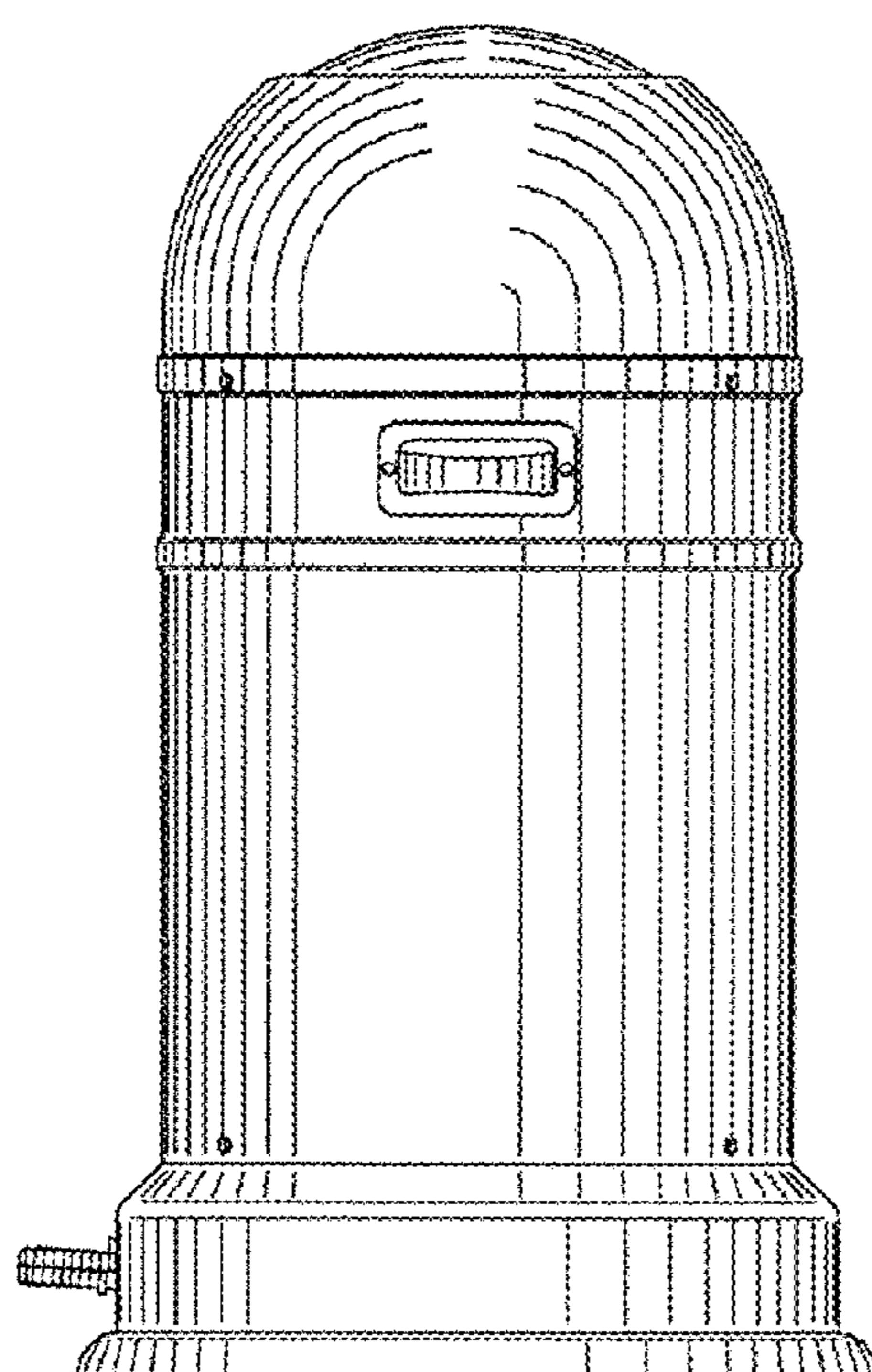
***Fig. 2***



***Fig. 3***

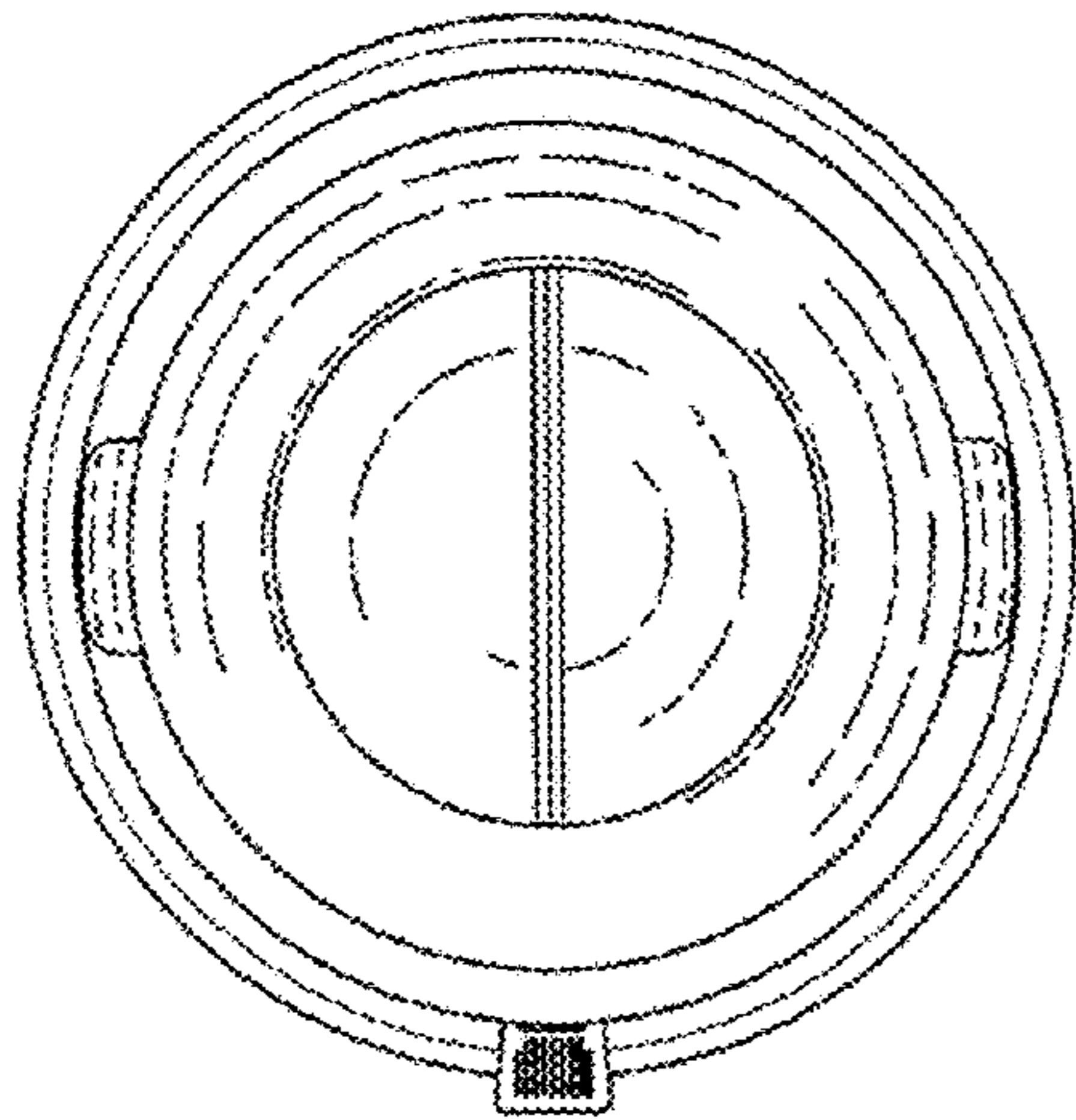


***Fig. 4***

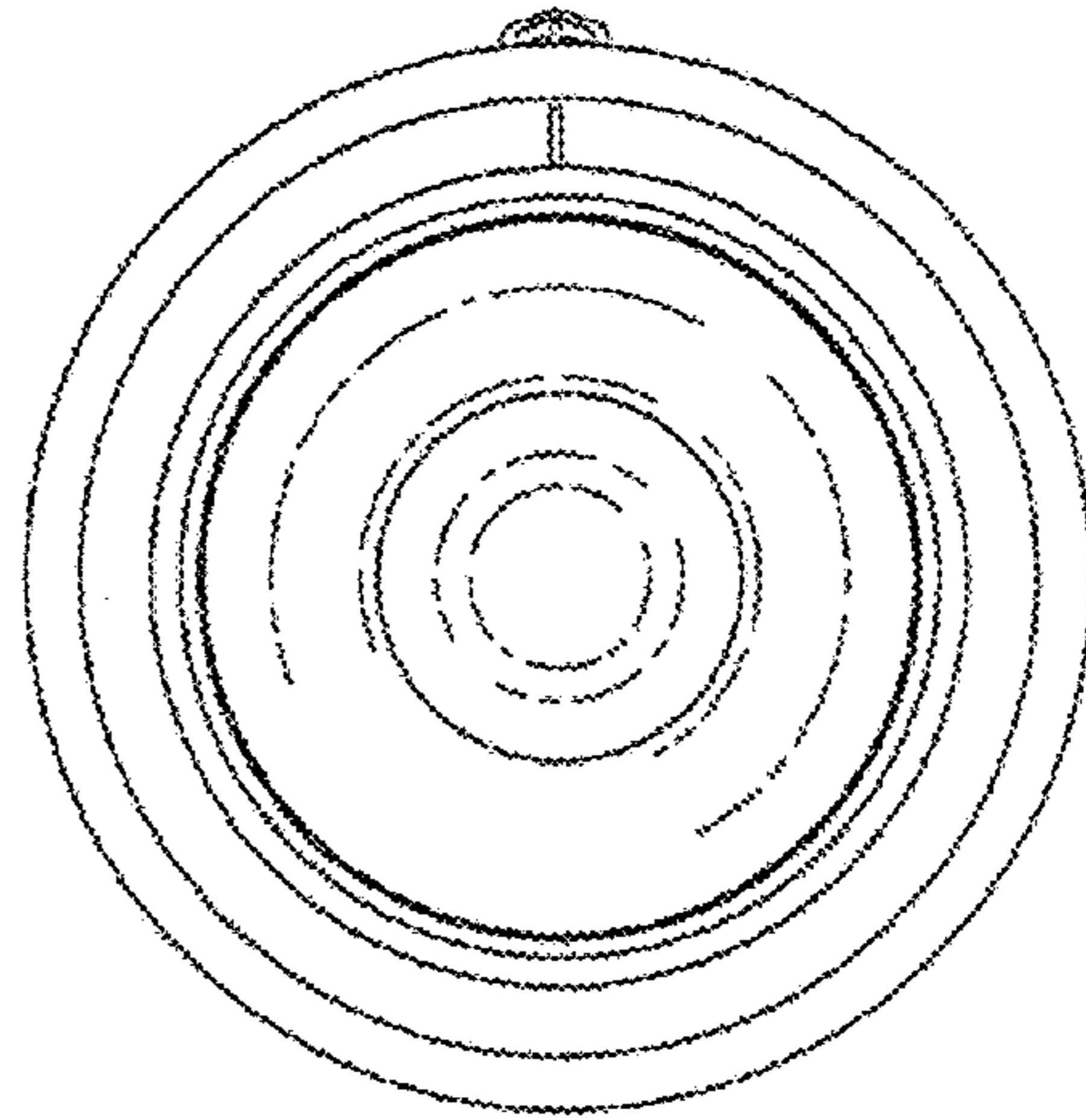




***Fig. 5***



***Fig. 6***



***Fig. 7***

