



US00D592371S

(12) **United States Design Patent**
Dellinger

(10) **Patent No.:** **US D592,371 S**

(45) **Date of Patent:** **** May 12, 2009**

(54) **CONTAINER RESTRAINING DEVICE**

(76) **Inventor:** **Terry L. Dellinger**, 909 Hampton Trail,
Lilburn, GA (US) 30047

(**) **Term:** **14 Years**

(21) **Appl. No.:** **29/272,383**

(22) **Filed:** **Feb. 7, 2007**

Related U.S. Application Data

(63) Continuation of application No. 10/897,718, filed on
Jul. 23, 2004.

(51) **LOC (9) Cl.** **07-07**

(52) **U.S. Cl.** **D32/54**

(58) **Field of Classification Search** D32/54,
D32/53, 53.1, 23; 248/154, 146, 152, 238

See application file for complete search history.

(56) **References Cited**

U.S. PATENT DOCUMENTS

279,238	A *	6/1883	Geiger	126/30
779,924	A *	1/1905	Gommel	47/41.01
2,449,721	A *	9/1948	Santiago	248/146
2,683,579	A *	7/1954	Stanley	248/146
2,982,982	A *	5/1961	Swift, Sr.	15/257.06
3,357,669	A *	12/1967	Amato	248/346.11
4,932,621	A	6/1990	Kowk	
D309,811	S *	8/1990	Terrizzi	D34/32
5,028,023	A *	7/1991	Allen	248/152

D331,792	S	12/1992	Wilcox	
5,759,275	A *	6/1998	Shostak	118/504
D416,764	S *	11/1999	Gagne	D7/619.1
6,152,018	A	11/2000	Yeh	
6,571,976	B1 *	6/2003	Sonnabend	220/483
2005/0045780	A1 *	3/2005	Forshee et al.	248/146
2006/0124808	A1 *	6/2006	Hibbler	248/146

* cited by examiner

Primary Examiner—Freda S. Nunn

Assistant Examiner—Kevin K Rudzinski

(74) *Attorney, Agent, or Firm*—David L. Banner

(57) **CLAIM**

The ornamental design for a container restraining device, as shown and described.

DESCRIPTION

FIG. 1 is a perspective view of a container restraining device, showing my new design;

FIG. 2 is a top view thereof;

FIG. 3 is a bottom view thereof;

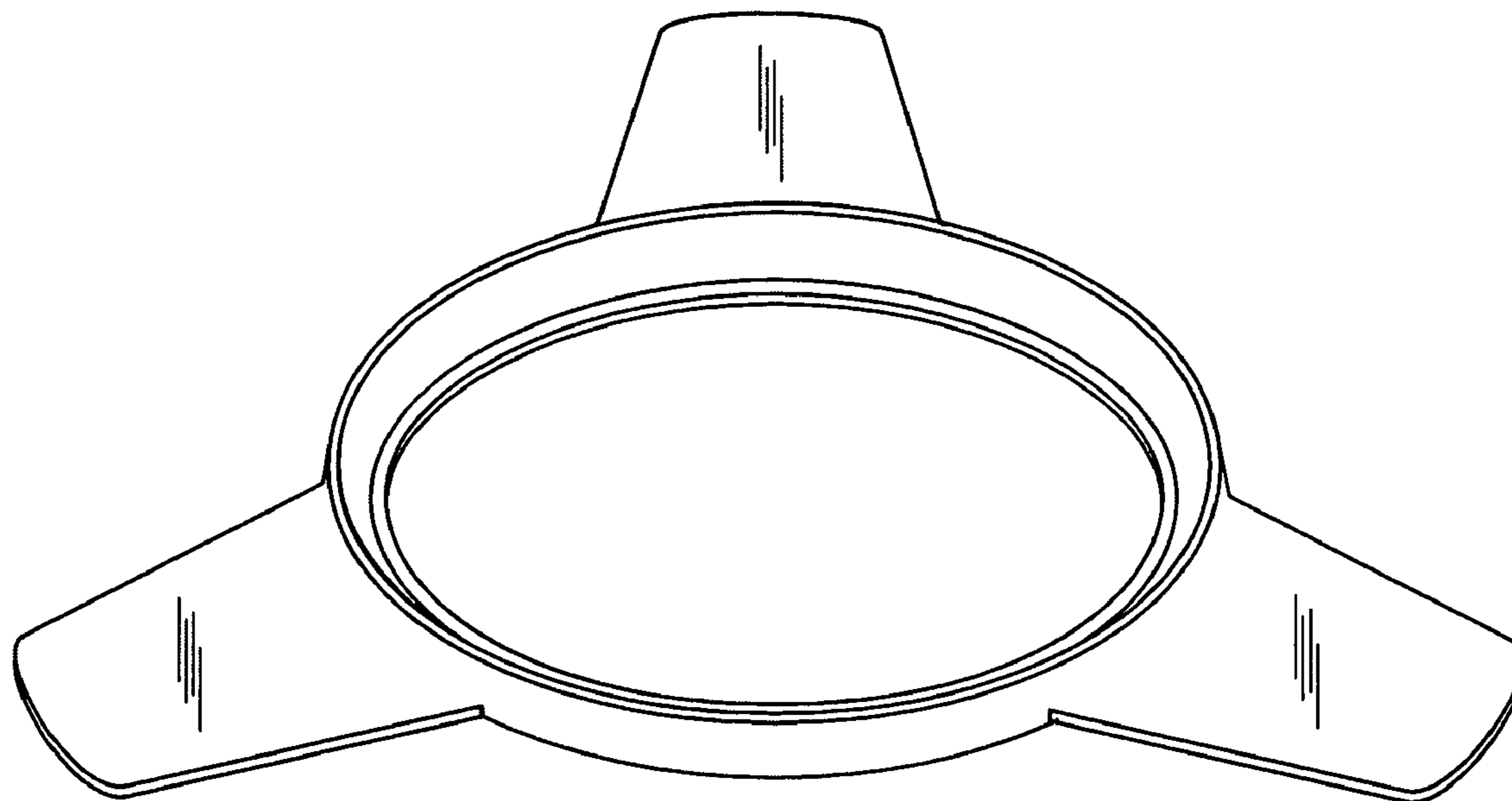
FIG. 4 is a front view thereof;

FIG. 5 is a back view thereof; and,

FIG. 6 is a left or right view thereof.

The broken line shown in FIG. 1 forms no part of the claimed design.

1 Claim, 3 Drawing Sheets



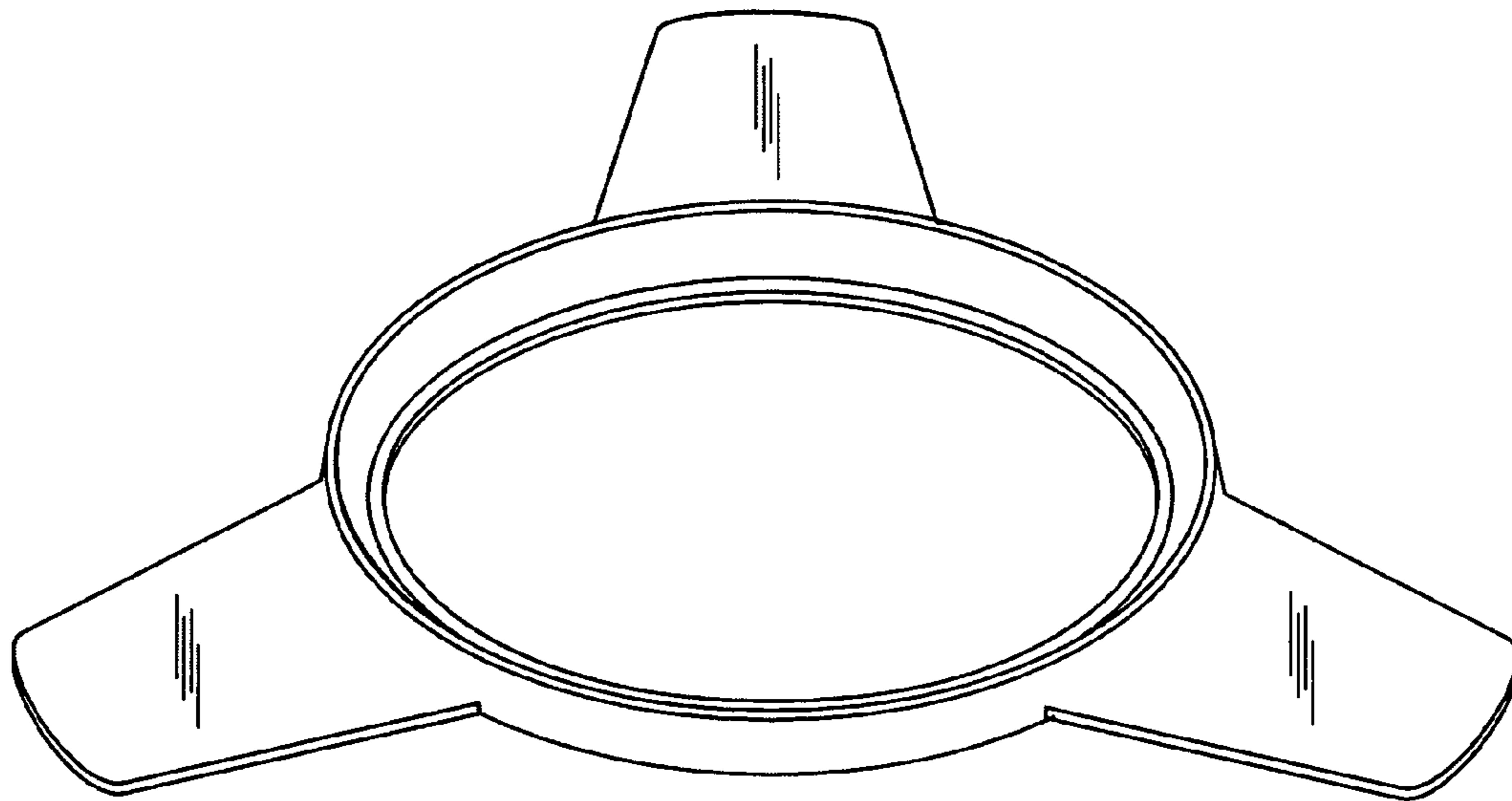


Figure 1

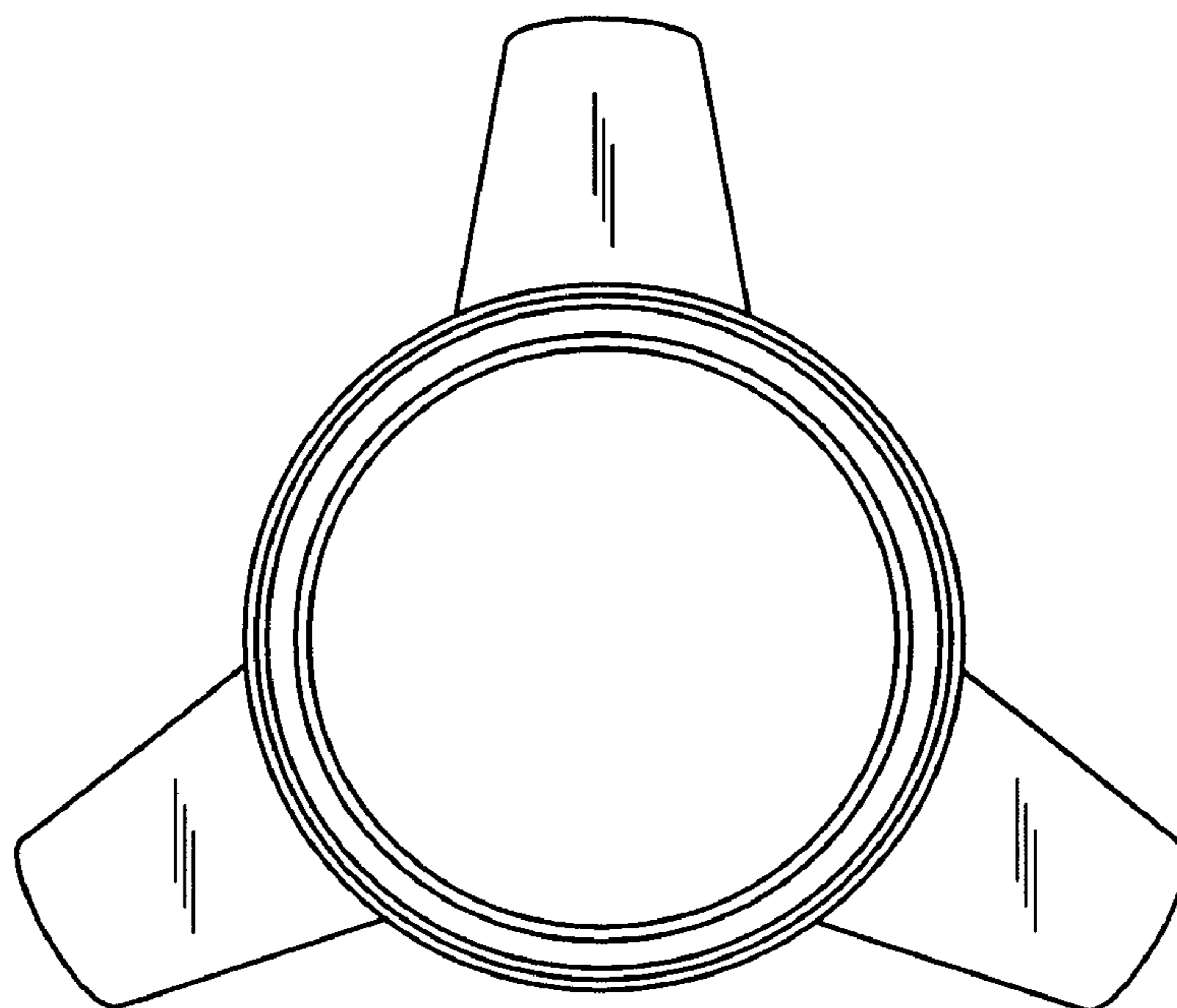


Figure 2

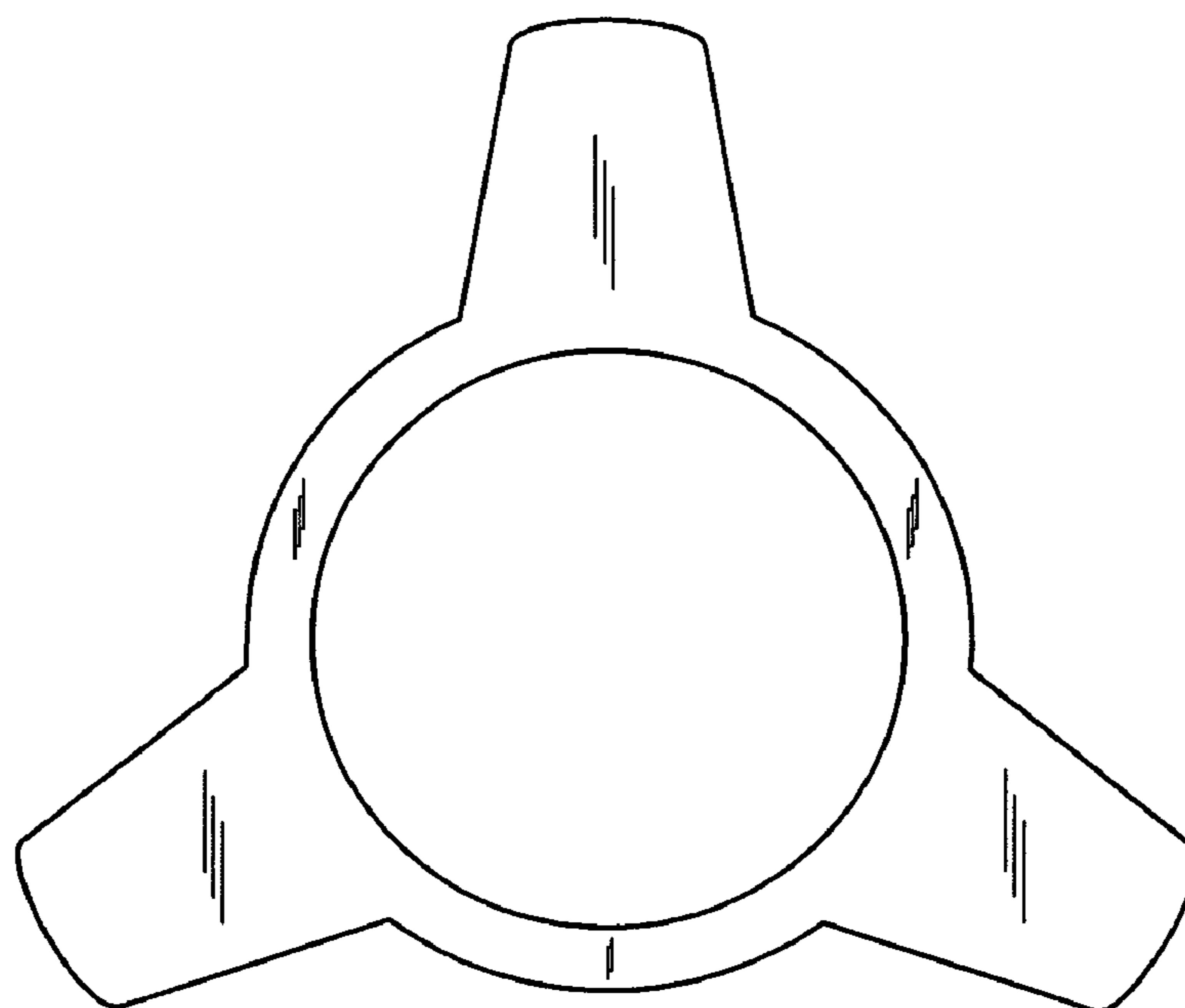


Figure 3



Figure 4

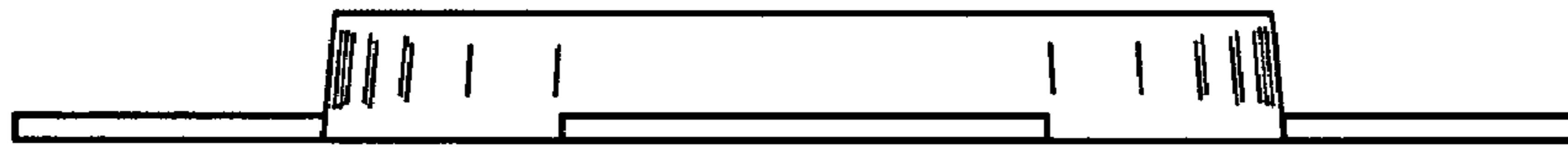


Figure 5



Figure 6