



US00D592368S

(12) **United States Design Patent**
Massip et al.

(10) **Patent No.:** **US D592,368 S**

(45) **Date of Patent:** **** May 12, 2009**

(54) **HANDLE FOR A GARMENT STEAMER**

(75) Inventors: **Victor Massip**, Nantes (FR); **Laurent Lebot**, Nantes (FR)

(73) Assignee: **Rowenta Werke GmbH**, Offenbach am Main (DE)

(**) Term: **14 Years**

(21) Appl. No.: **29/321,989**

(22) Filed: **Jul. 28, 2008**

(30) **Foreign Application Priority Data**

Feb. 6, 2008 (FR) 080608

(51) **LOC (9) Cl.** **15-05**

(52) **U.S. Cl.** **D32/25; D32/9**

(58) **Field of Classification Search** D32/9,
D32/17, 21, 32-33; 68/5 R, 5 A, 5 C, 222;
38/85, 69, 77.3; 392/405, 324, 333, 342,
392/379, 403; 8/149.3; 15/320-322, 415.1-422.1,
15/327.1-327.2, 327.6-327.7, 344; D23/225;
223/51, 73

See application file for complete search history.

(56) **References Cited**

U.S. PATENT DOCUMENTS

3,559,427 A * 2/1971 Baker 68/222
5,123,266 A * 6/1992 Tabraham 68/222
5,609,047 A * 3/1997 Hellman et al. 68/222
D380,068 S * 6/1997 Gudfin D32/9
D451,653 S * 12/2001 Berreth et al. D32/17
D464,180 S * 10/2002 Chen D32/9

6,886,373 B2 * 5/2005 Carrubba et al. 68/222
D561,958 S * 2/2008 Hahn D32/17
D576,771 S * 9/2008 Reiner D32/9
D579,160 S * 10/2008 Lebot et al. D32/9
D580,607 S * 11/2008 Tobias D32/17
2004/0144140 A1 * 7/2004 Lee 68/222

FOREIGN PATENT DOCUMENTS

WO DM/055557 2/2001
WO DM/055833 3/2001
WO DM/060531 3/2002

* cited by examiner

Primary Examiner—Ruth McInroy

(74) *Attorney, Agent, or Firm*—Oblon, Spivak, McClelland,
Maier & Neustadt, P.C.

(57) **CLAIM**

The ornamental design for a handle for a garment steamer, as shown and described.

DESCRIPTION

FIG. 1 is a front, top and right side perspective view of a handle for a garment steamer showing our new design;

FIG. 2 is a rear, top, right perspective view thereof;

FIG. 3 is a left view thereof;

FIG. 4 is a right view thereof;

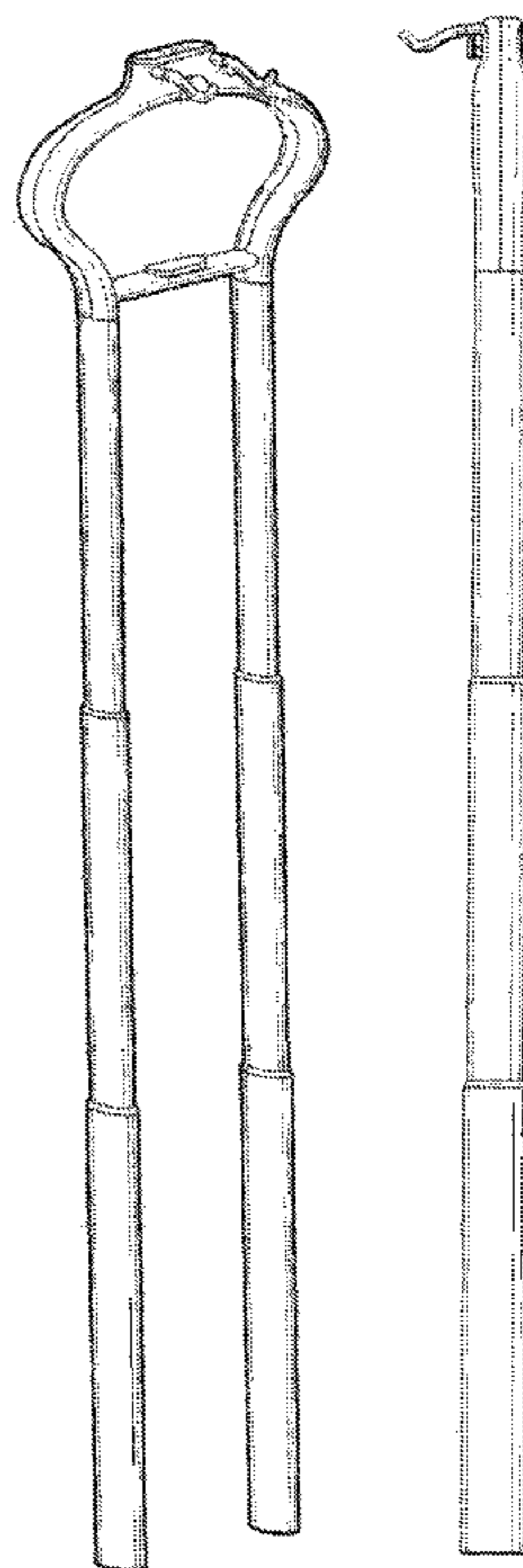
FIG. 5 is a front view thereof;

FIG. 6 is a rear view thereof;

FIG. 7 is a top view thereof; and,

FIG. 8 is a bottom view thereof.

1 Claim, 7 Drawing Sheets



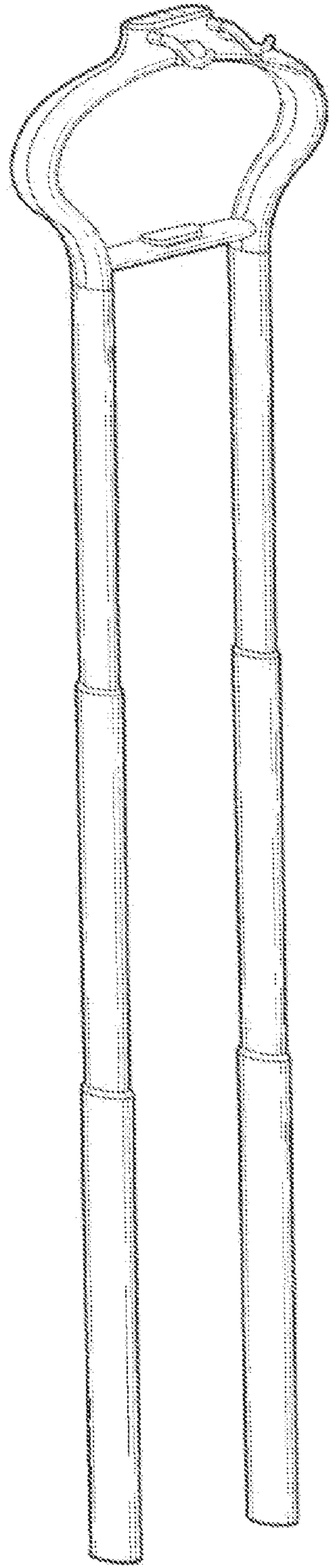


Fig. 1

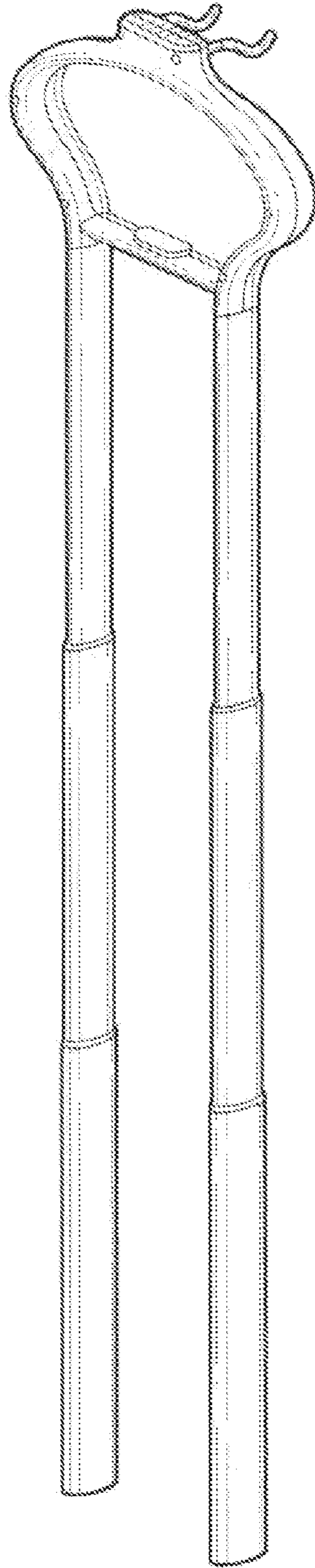


Fig. 2

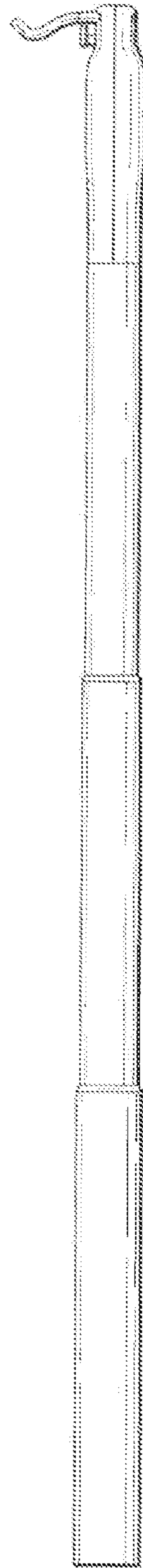


Fig. 3

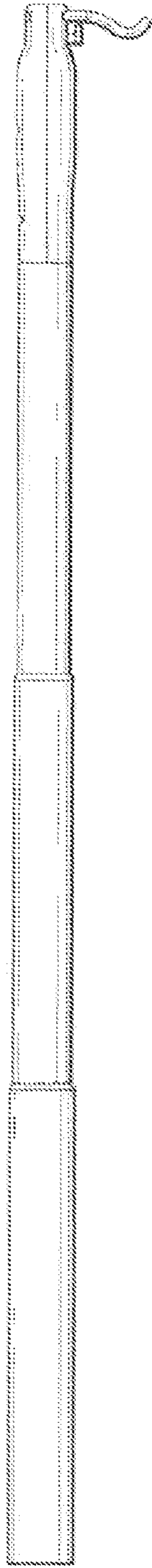


Fig. 4

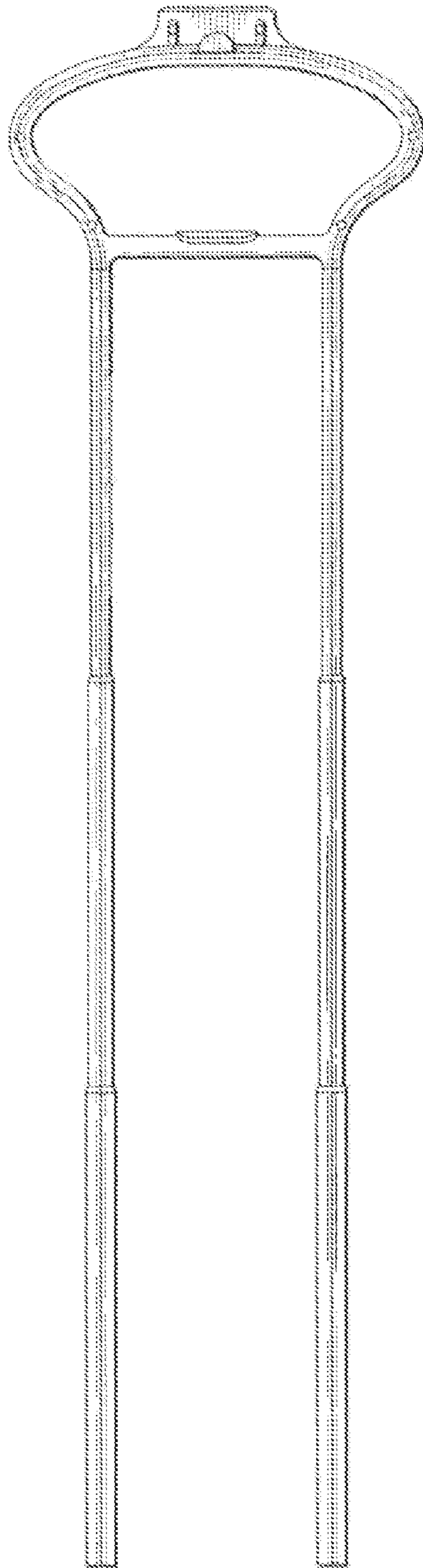


Fig. 5

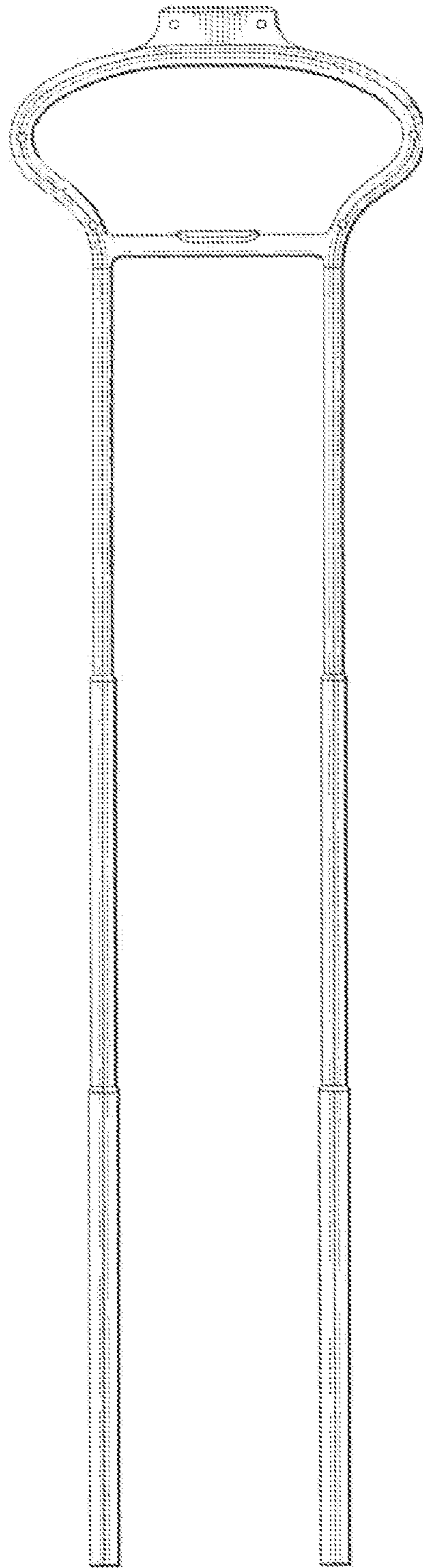


Fig. 6

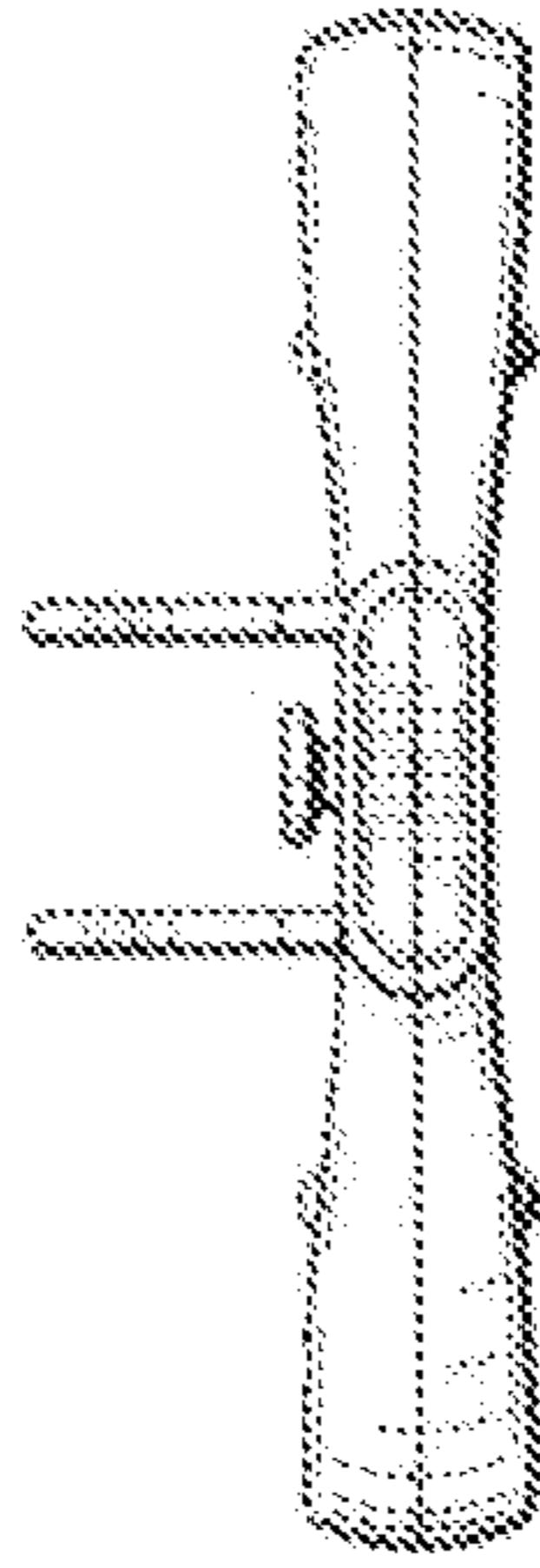


Fig. 7

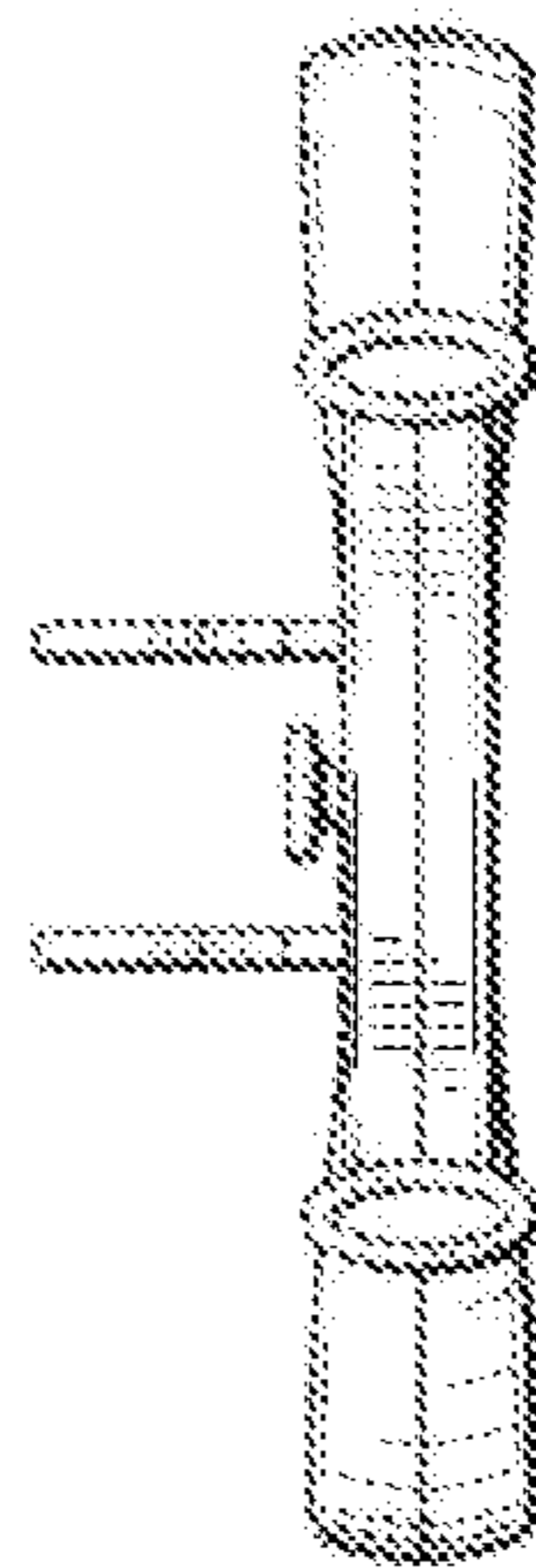


Fig. 8