



US00D592367S

(12) **United States Design Patent**  
**Crookshanks**

(10) **Patent No.:** **US D592,367 S**

(45) **Date of Patent:** **\*\* \*May 12, 2009**

(54) **PORTION OF A LAUNDRY APPLIANCE**

(75) Inventor: **Kent Allen Stephen Crookshanks,**  
Anderson, SC (US)

(73) Assignee: **Electrolux Home Products, Inc.,**  
Cleveland, OH (US)

(\*) Notice: This patent is subject to a terminal disclaimer.

(\*\*) Term: **14 Years**

(21) Appl. No.: **29/278,841**

(22) Filed: **Apr. 11, 2007**

**Related U.S. Application Data**

(63) Continuation-in-part of application No. 29/246,283,  
filed on Mar. 29, 2006, now Pat. No. Des. 544,157.

(51) **LOC (9) Cl.** ..... **15-05**

(52) **U.S. Cl.** ..... **D32/25**

(58) **Field of Classification Search** ..... D32/1,  
D32/5-6, 8, 25; 38/1 A; 312/31; 34/58,  
34/87-88, 108, 130-132, 417, 499, 523-524,  
34/534, 595-597, 600, 603; 68/3 R, 4, 5 R,  
68/12.01, 12.08, 212, 139

See application file for complete search history.

(56) **References Cited**

**U.S. PATENT DOCUMENTS**

D465,622 S \* 11/2002 Wang et al. .... D32/6  
D496,513 S \* 9/2004 Tsuda et al. .... D32/8  
D501,966 S 2/2005 Hwang et al.

D506,045 S 6/2005 No et al.  
D515,260 S 2/2006 Ha et al.  
D517,262 S 3/2006 Ha et al.  
D517,263 S 3/2006 Ha et al.  
D523,595 S \* 6/2006 Carey et al. .... D32/6  
D524,001 S \* 6/2006 Carey et al. .... D32/6  
D538,489 S \* 3/2007 Bixby et al. .... D32/6  
D542,987 S \* 5/2007 Crookshanks ..... D32/25  
D544,157 S \* 6/2007 Crookshanks ..... D32/25

\* cited by examiner

*Primary Examiner*—T. Chase Nelson  
*Assistant Examiner*—Kathleen M Sims

(74) *Attorney, Agent, or Firm*—Banner & Witcoff, Ltd.

(57) **CLAIM**

The ornamental design for a portion of a laundry appliance, as shown and described.

**DESCRIPTION**

FIG. 1 is a front perspective view of a portion of a laundry appliance showing my new design;

FIG. 2 is a front view thereof;

FIG. 3 is a left side view thereof;

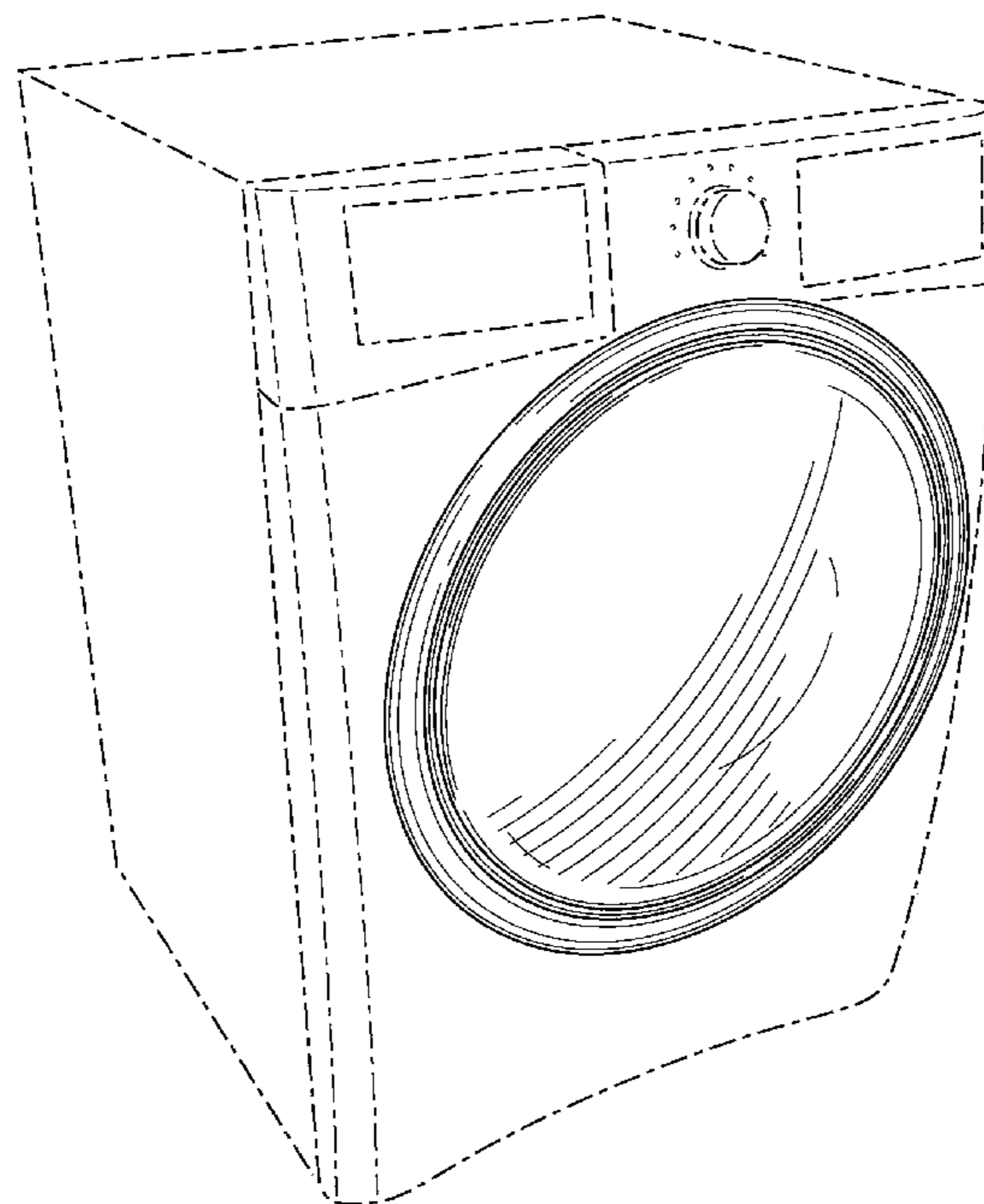
FIG. 4 is a right side view thereof;

FIG. 5 is a top view thereof; and,

FIG. 6 is a bottom view thereof.

The broken line showing of a laundry appliance cabinet and control panel in FIGS. 1-5 is included for the purpose of illustrating portions of the laundry appliance and forms no part of the claimed design.

**1 Claim, 4 Drawing Sheets**



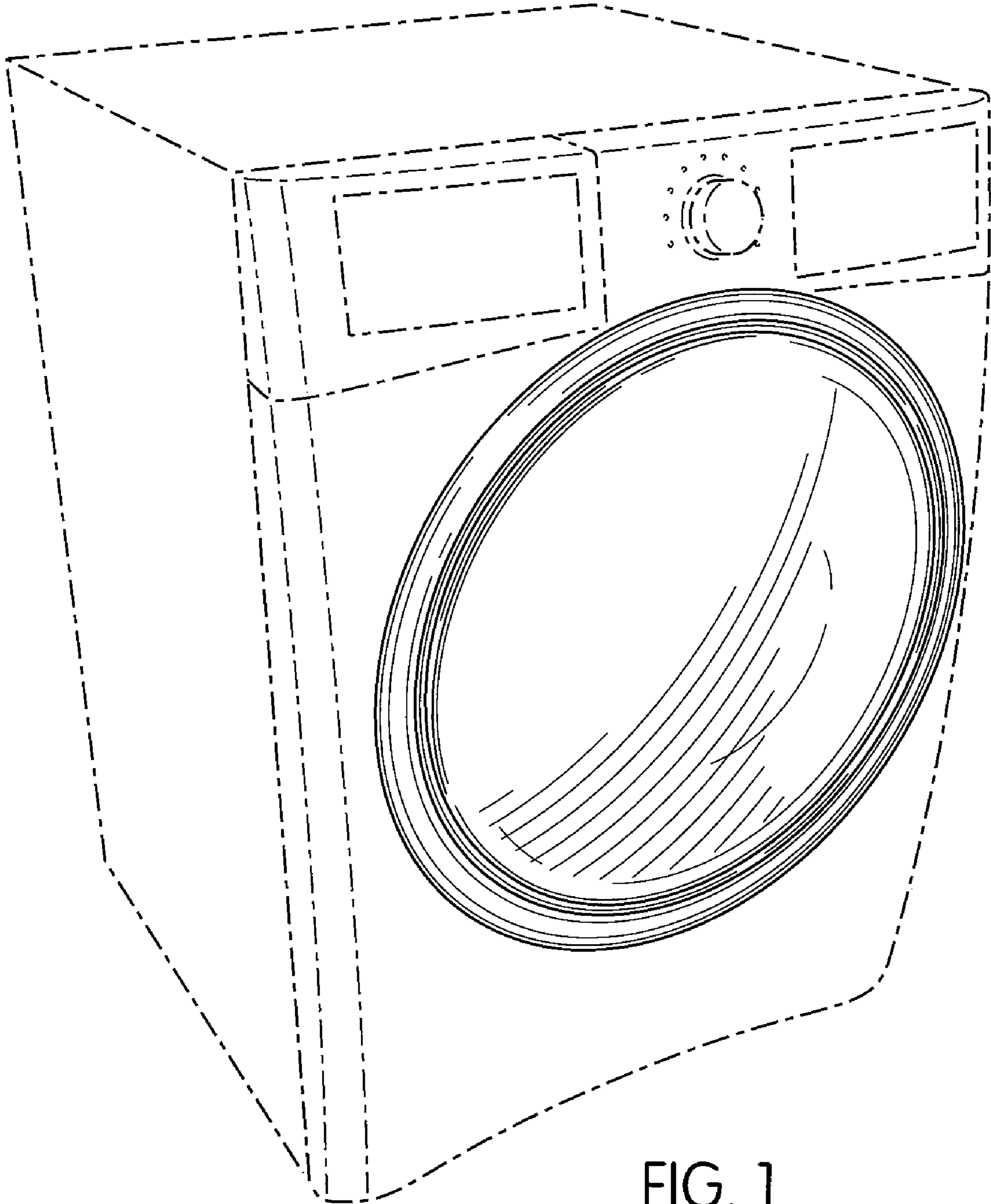


FIG. 1

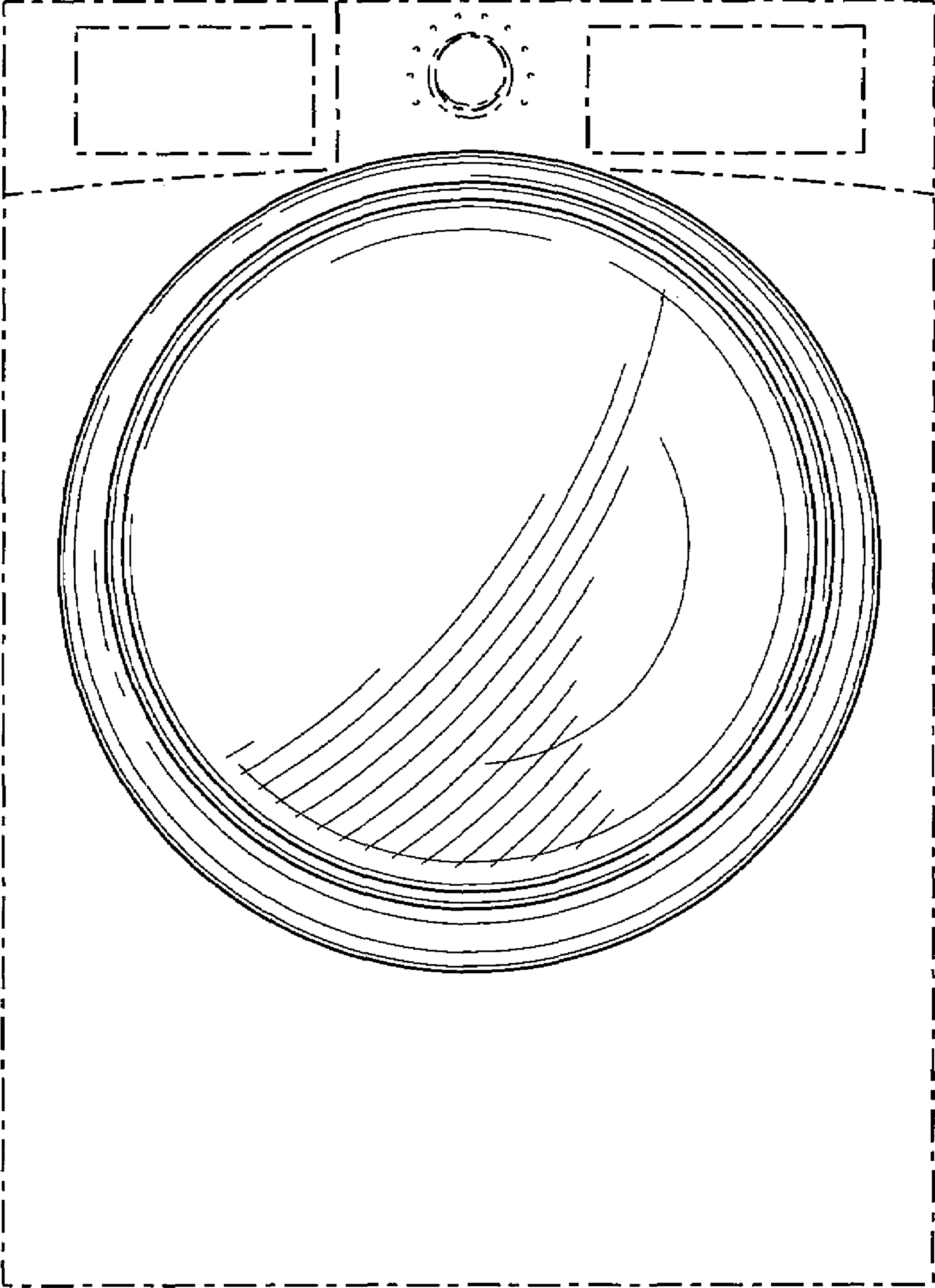


FIG. 2

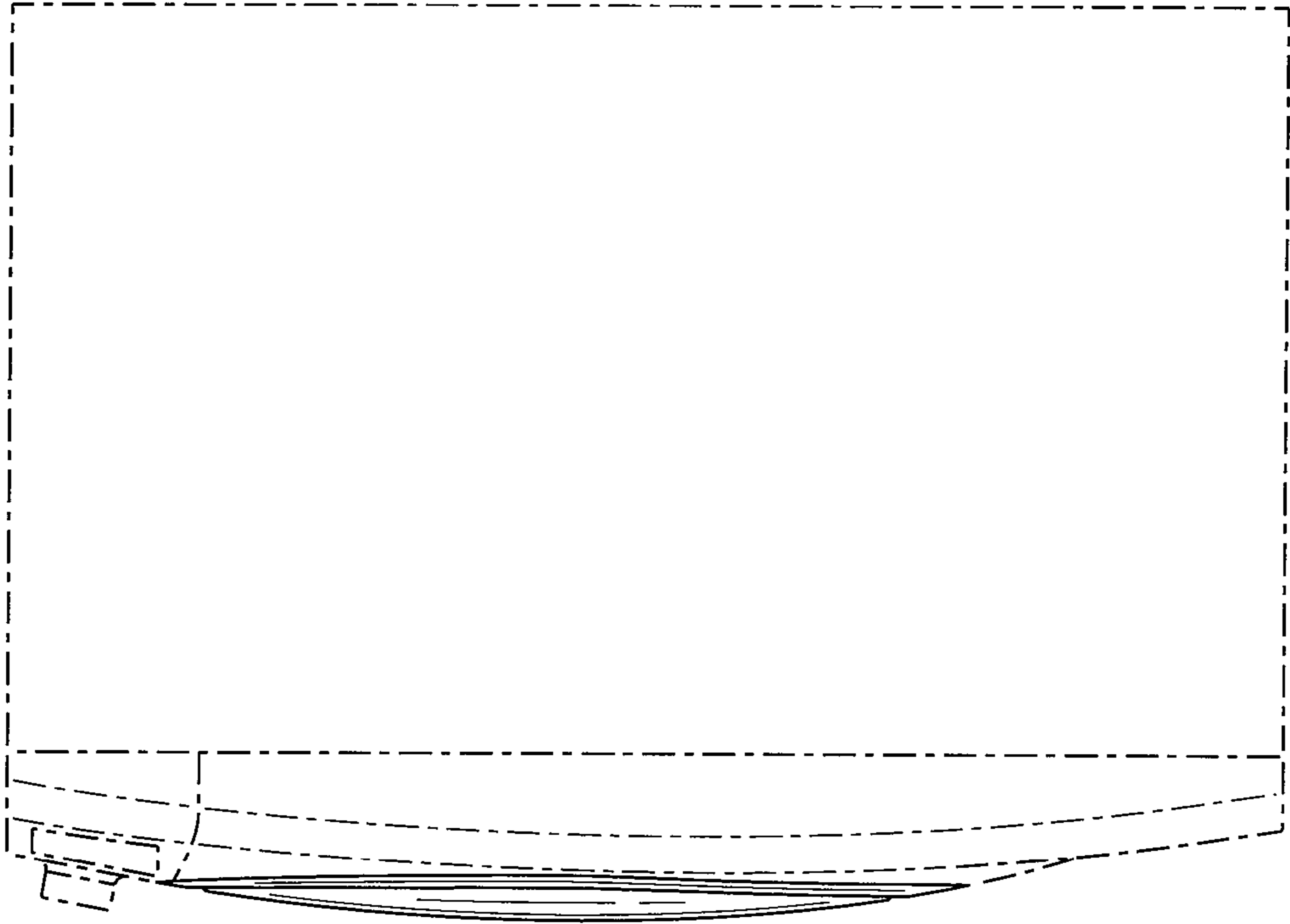


FIG. 4

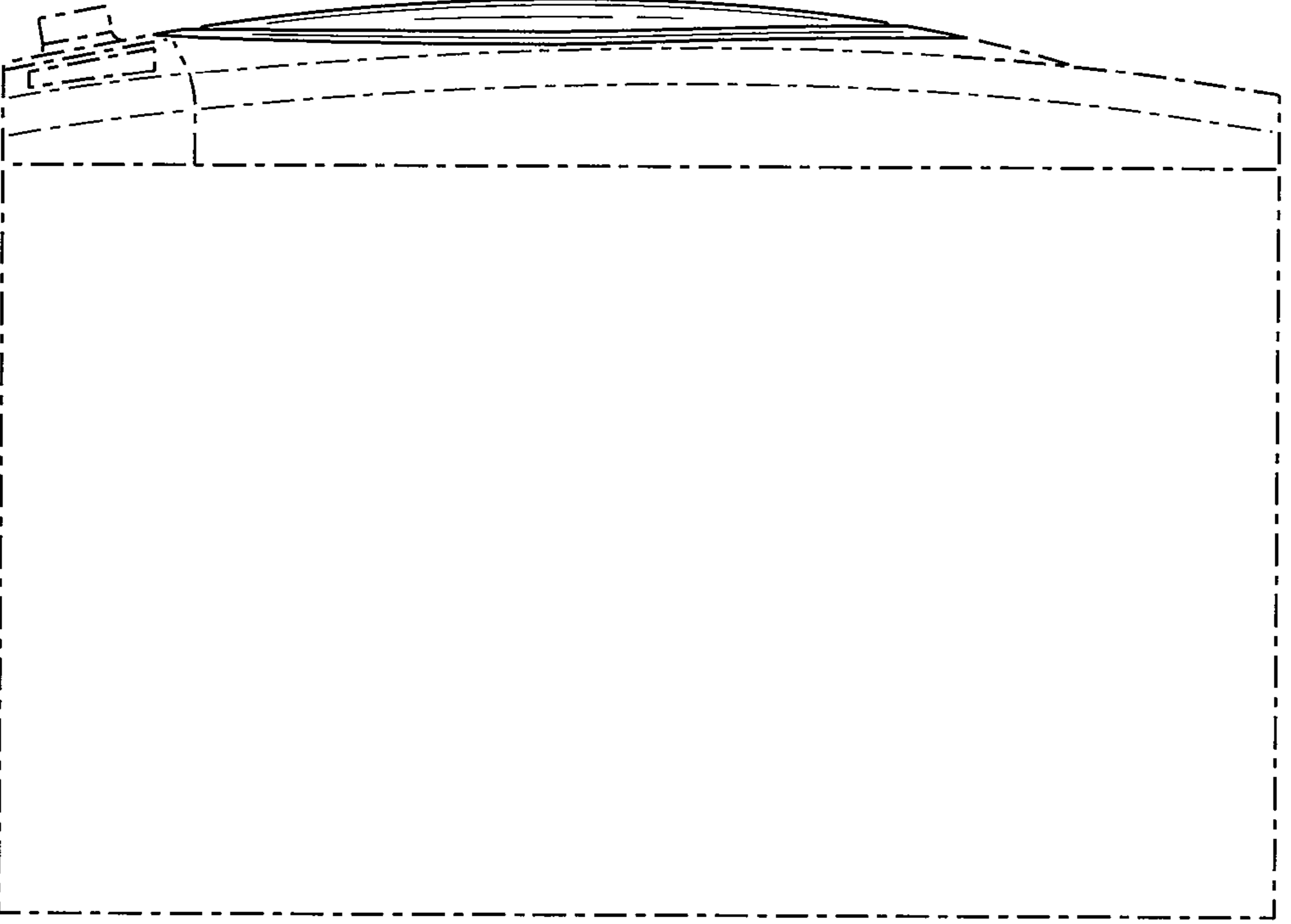


FIG. 3

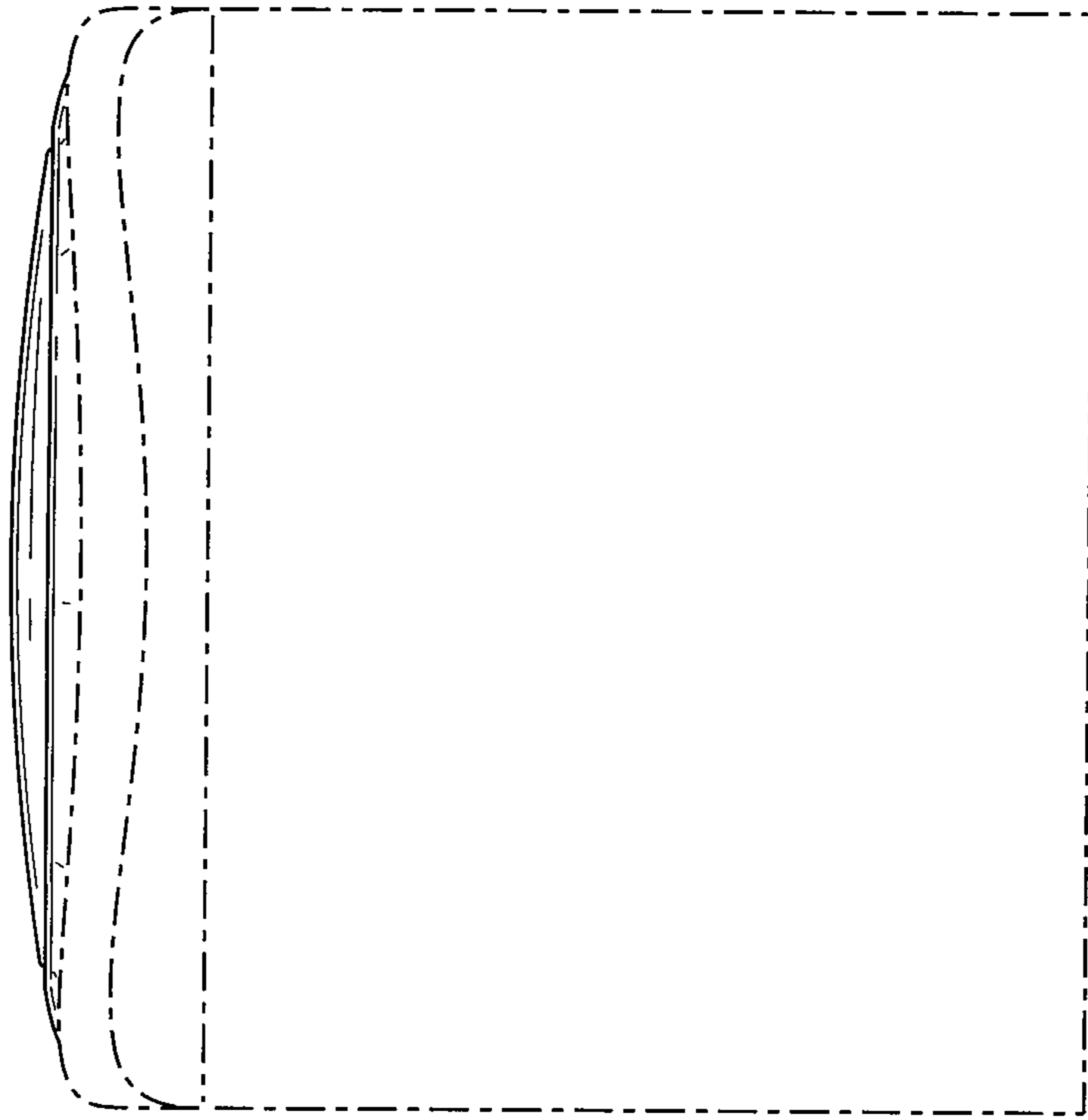


FIG. 6

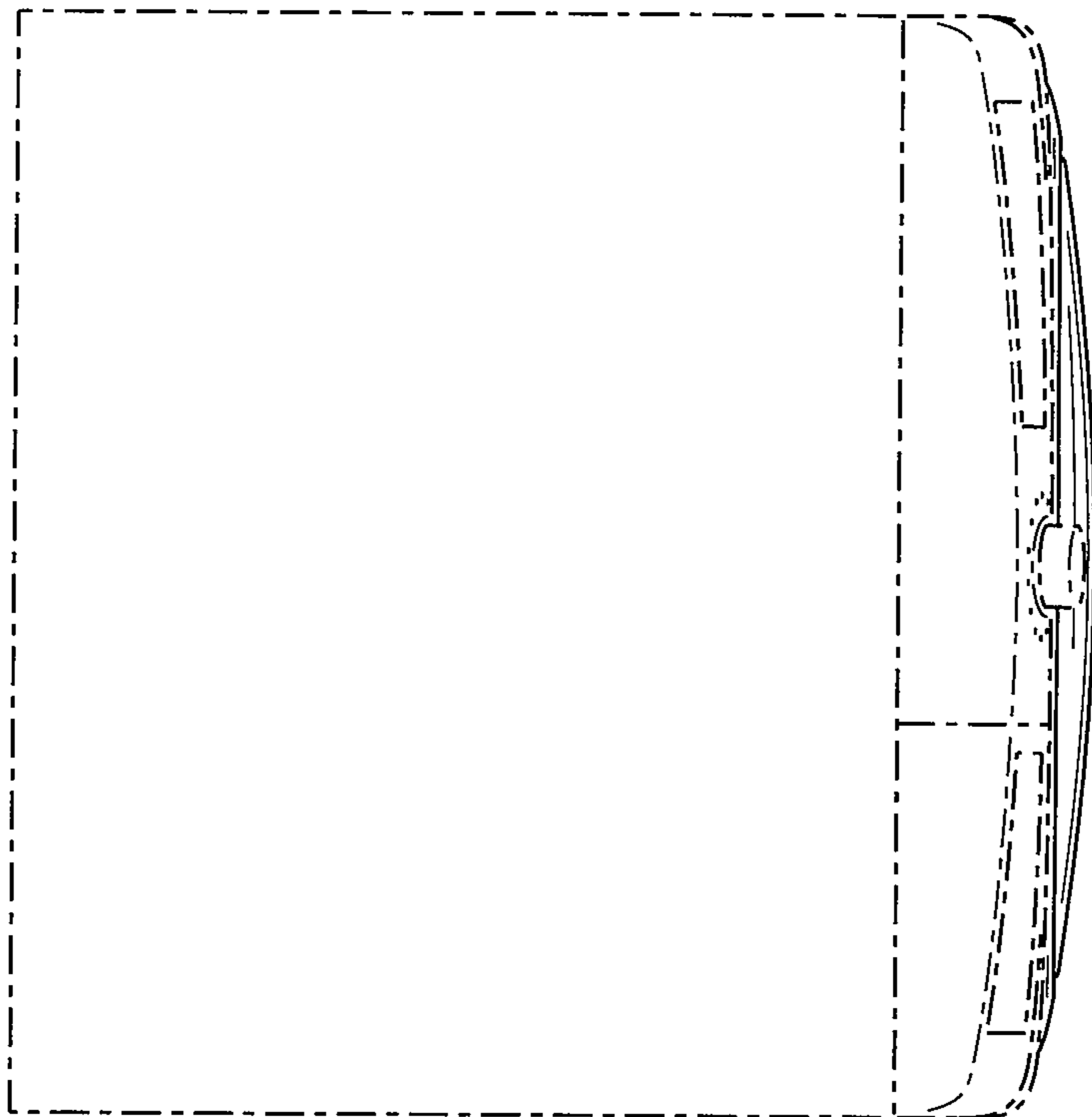


FIG. 5