

US00D592365S

(12) **United States Design Patent**
Massip et al.

(10) **Patent No.:** **US D592,365 S**

(45) **Date of Patent:** **** May 12, 2009**

(54) **STEAM BRUSH FOR A GARMENT STEAMER**

2006/0056824 A1* 3/2006 Leung et al. 392/403
2007/0143951 A1* 6/2007 Wu 15/320

(75) Inventors: **Victor Massip**, Nantes (FR); **Laurent Lebot**, Nantes (FR)

OTHER PUBLICATIONS

(73) Assignee: **Rowenta Werke GmbH**, Offenbach am Main (DE)

Design Registration No. 000485867-0004, registered on Feb. 27, 2006, in the name of Calor, pp. 1-3.

Design Registration No. 000725288-0002, registered on May 17, 2007, in the name of Rowenta Werke GmbH, pp. 1-2.

(**) Term: **14 Years**

Design Registration No. 000753645-0002, registered on Jul. 6, 2007, in the name of Rowenta Werke GmbH, pp. 1-2.

(21) Appl. No.: **29/321,986**

Web page: Conair/Deluxe Handheld Fabric Steamer (Model GS16R), p. 1.

(22) Filed: **Jul. 28, 2008**

* cited by examiner

(30) **Foreign Application Priority Data**

Primary Examiner—Ruth McInroy

Feb. 6, 2008 (FR) 08 0608

(74) *Attorney, Agent, or Firm*—Oblon, Spivak, McClelland, Maier & Neustadt, P.C.

(51) **LOC (9) Cl.** **15-05**

(52) **U.S. Cl.** **D32/17**

(58) **Field of Classification Search** D32/9,
D32/17, 21, 32-33; 68/5 R, 5 A, 5 C, 222;
38/85, 69, 77.3; 392/405, 324, 333, 342,
392/379, 403; 8/149.3; 15/320-322, 415.1-422.1,
15/327.1-327.2, 327.6-327.7, 344; D23/225;
223/51, 73

See application file for complete search history.

(57) **CLAIM**

(56) **References Cited**

U.S. PATENT DOCUMENTS

D296,372 S * 6/1988 Toney et al. D32/32
D319,121 S * 8/1991 Muller D32/17
5,121,464 A * 6/1992 Hanada et al. 392/405
5,123,266 A * 6/1992 Tabraham 68/222
6,879,776 B1 * 4/2005 Wu 392/405
D540,498 S * 4/2007 Tobias D32/17
D541,494 S * 4/2007 Tsen D32/17
D576,363 S * 9/2008 Reiner D32/17

The ornamental design for a steam brush for a garment steamer, as shown and described.

DESCRIPTION

FIG. 1 is a front, bottom and left side perspective view of a steam brush for a garment steamer showing our new design;

FIG. 2 is a front, top, right perspective view thereof;

FIG. 3 is a left view thereof;

FIG. 4 is a right view thereof;

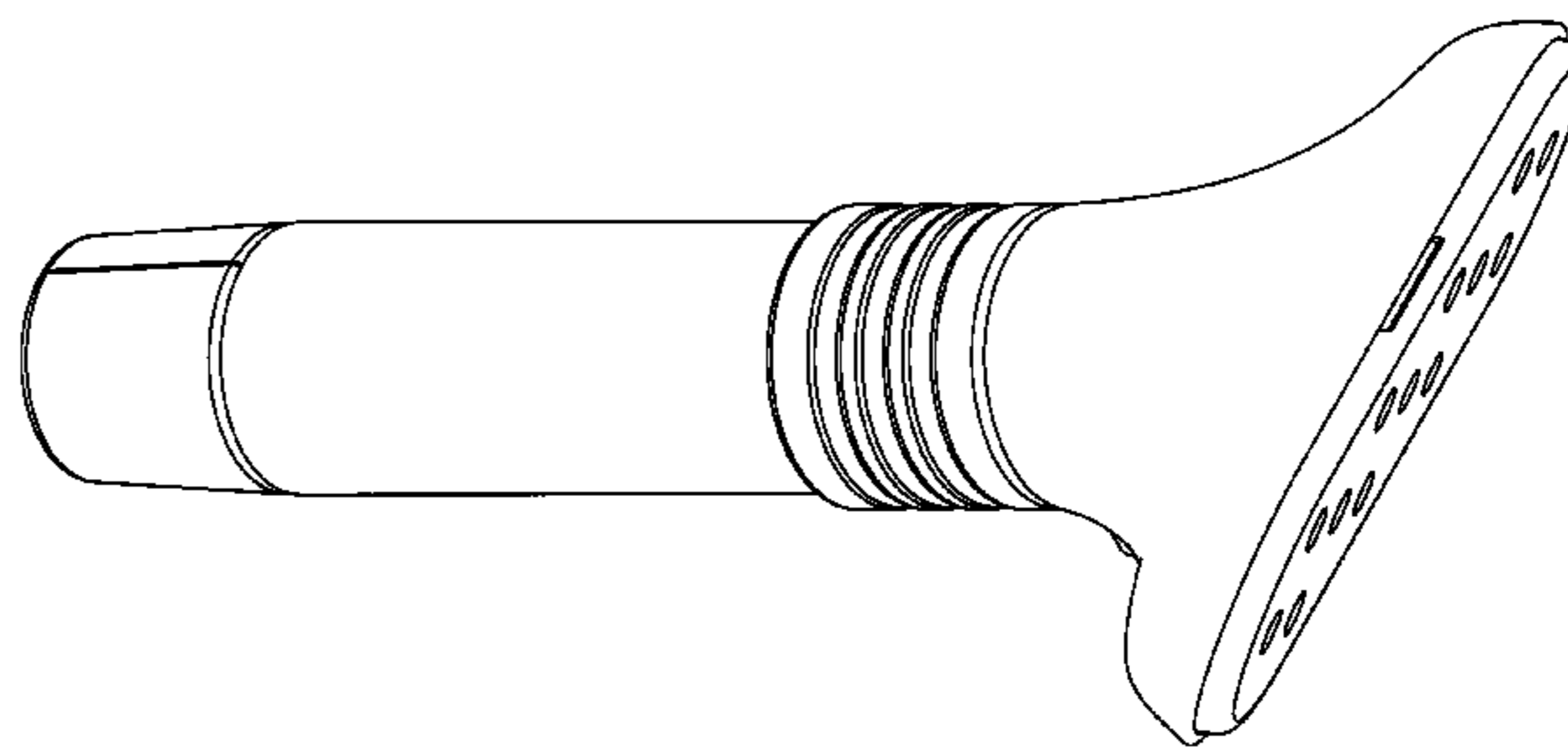
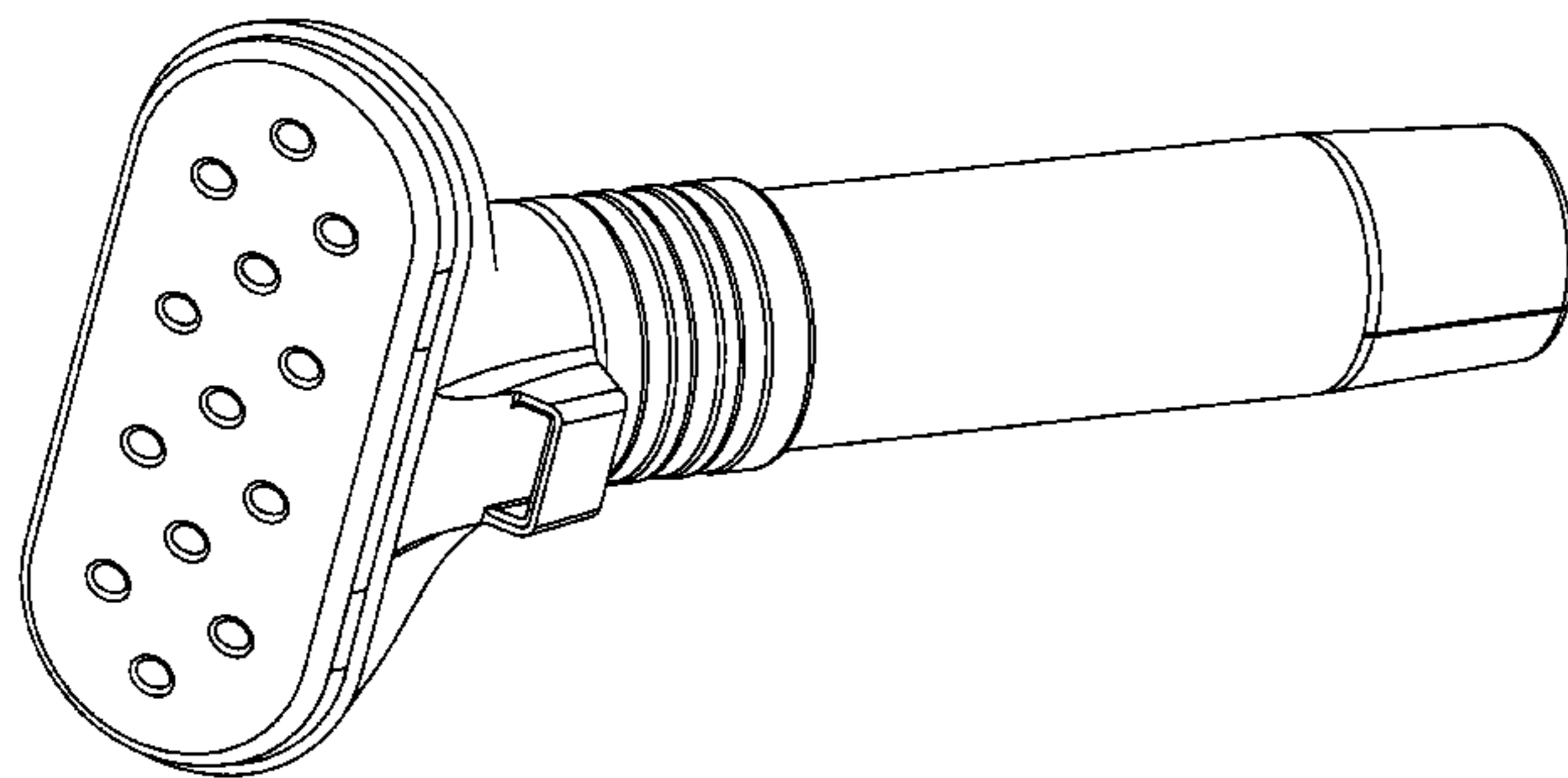
FIG. 5 is a bottom view thereof;

FIG. 6 is a top view thereof;

FIG. 7 is a front view thereof; and,

FIG. 8 is a rear view thereof.

1 Claim, 8 Drawing Sheets



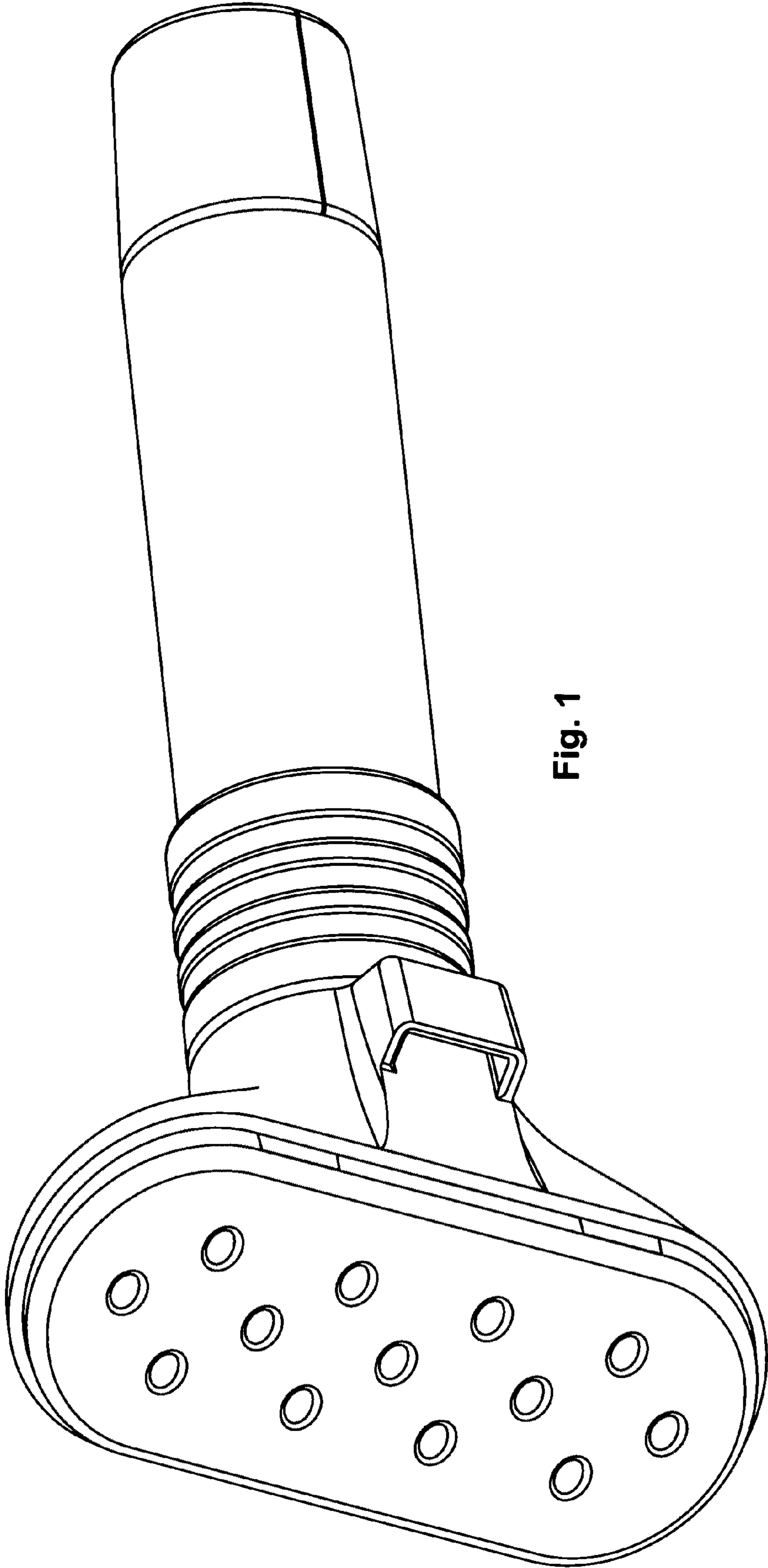


Fig. 1

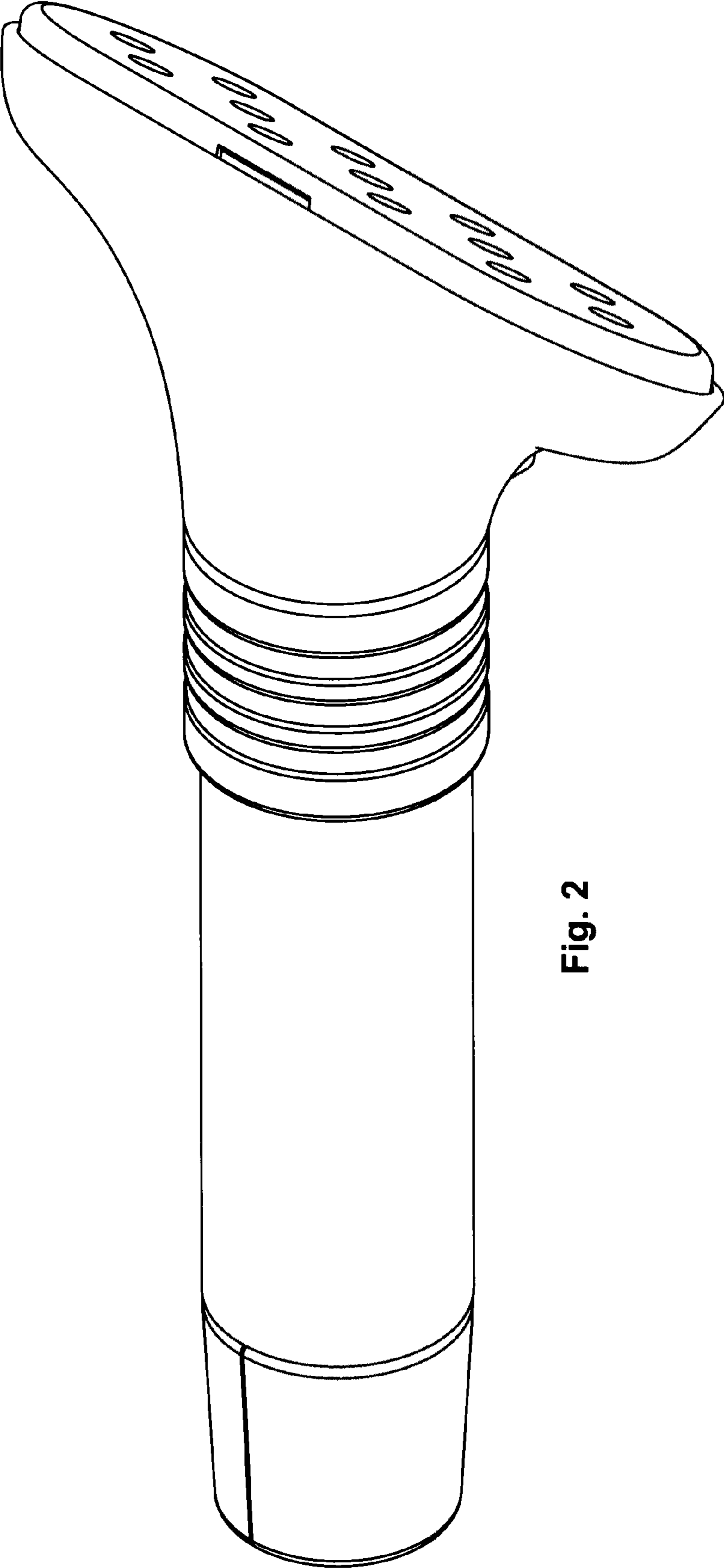


Fig. 2

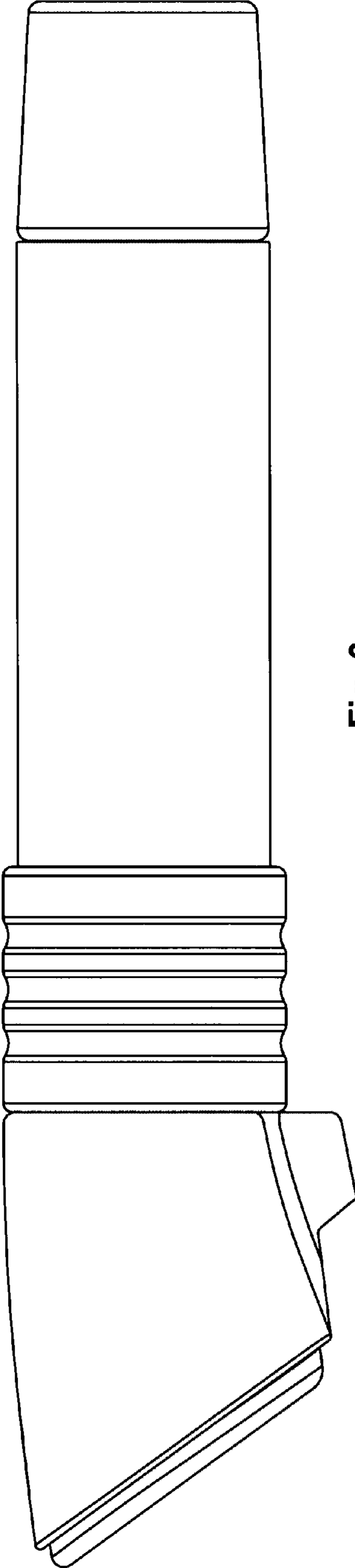


Fig. 3

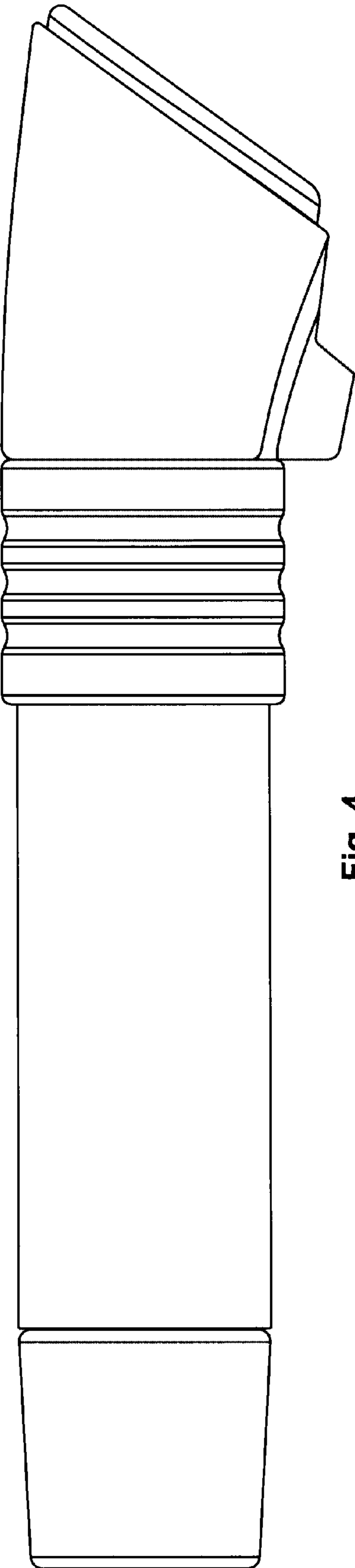


Fig. 4

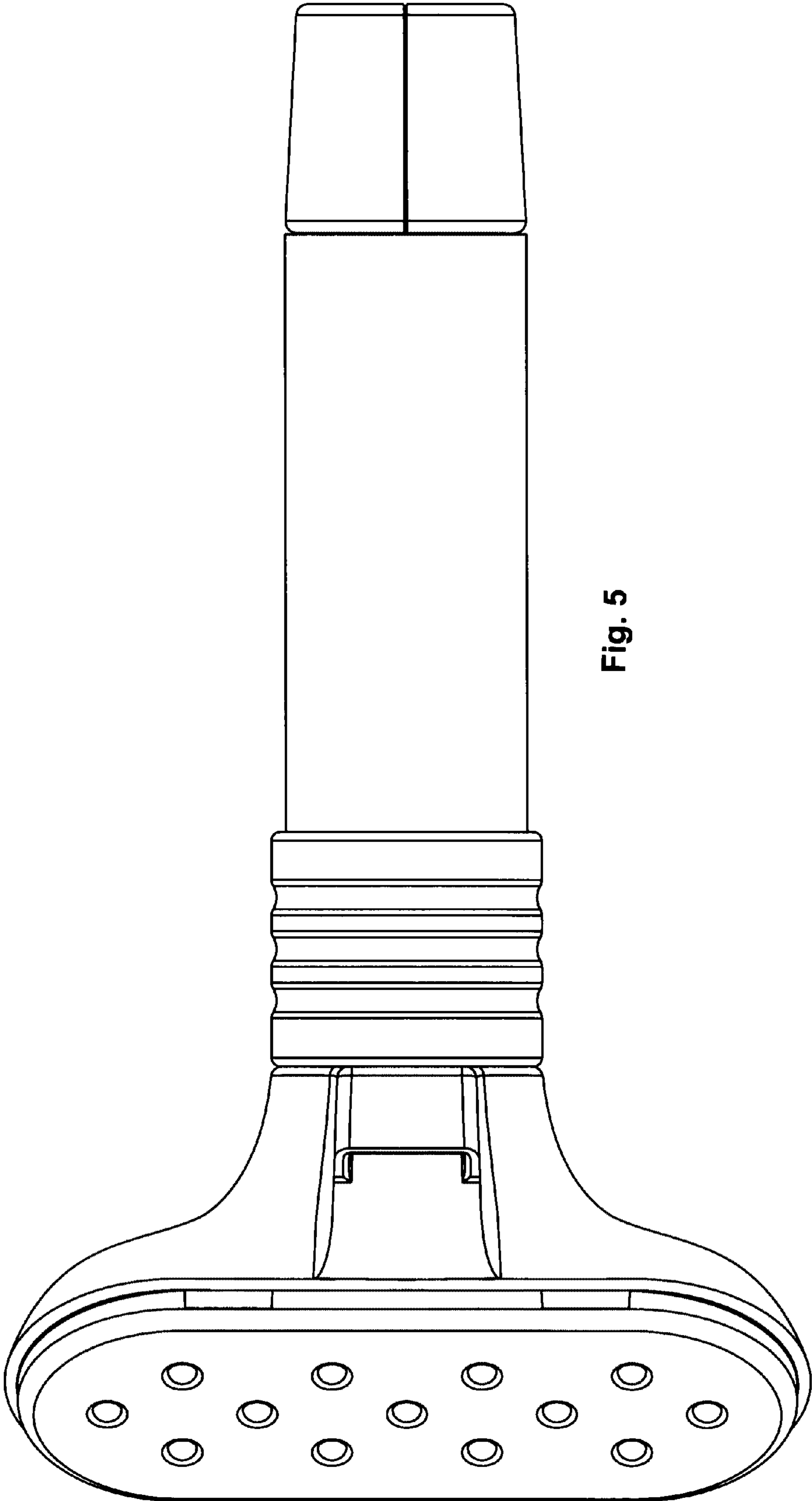


Fig. 5

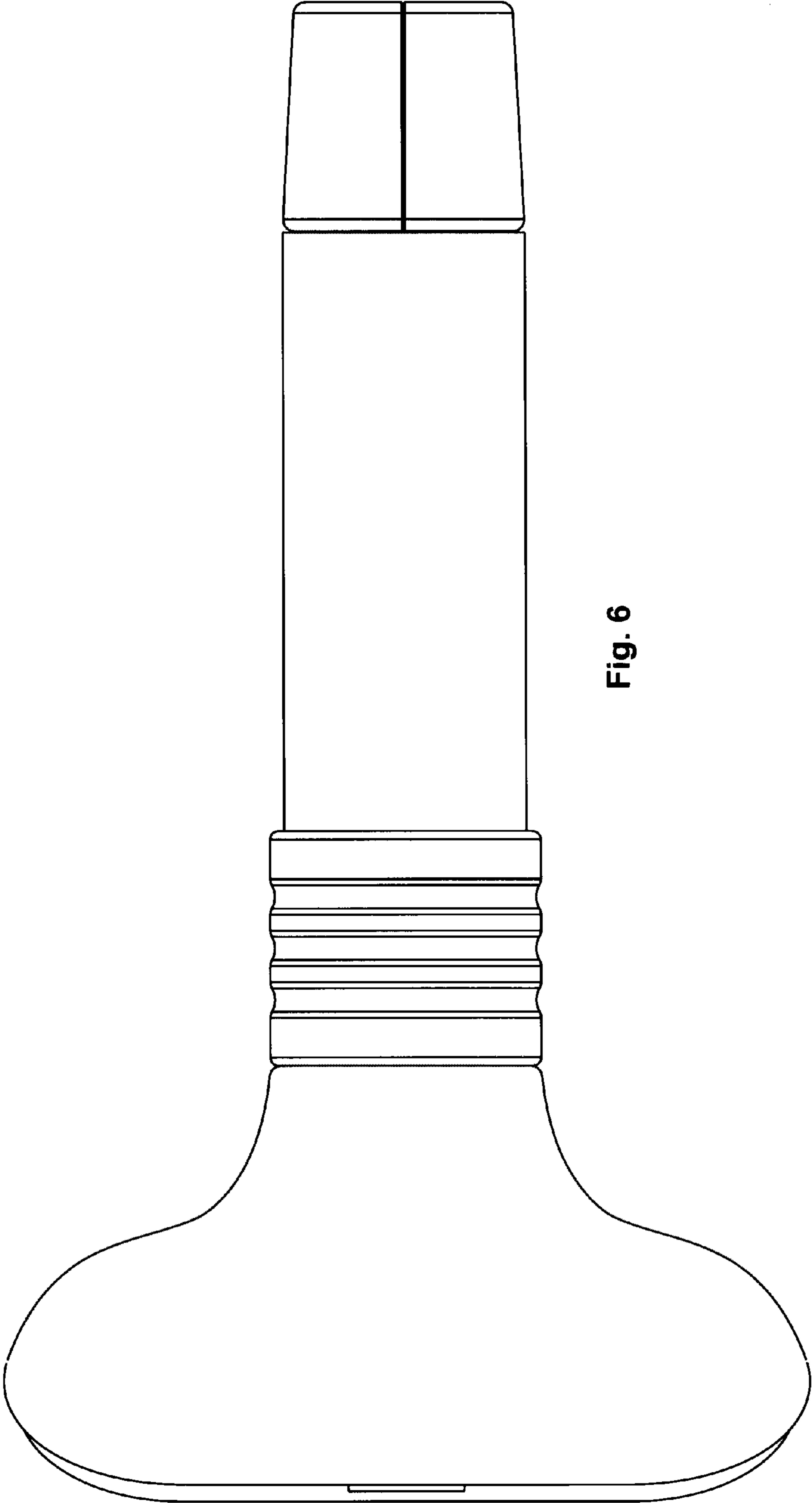


Fig. 6

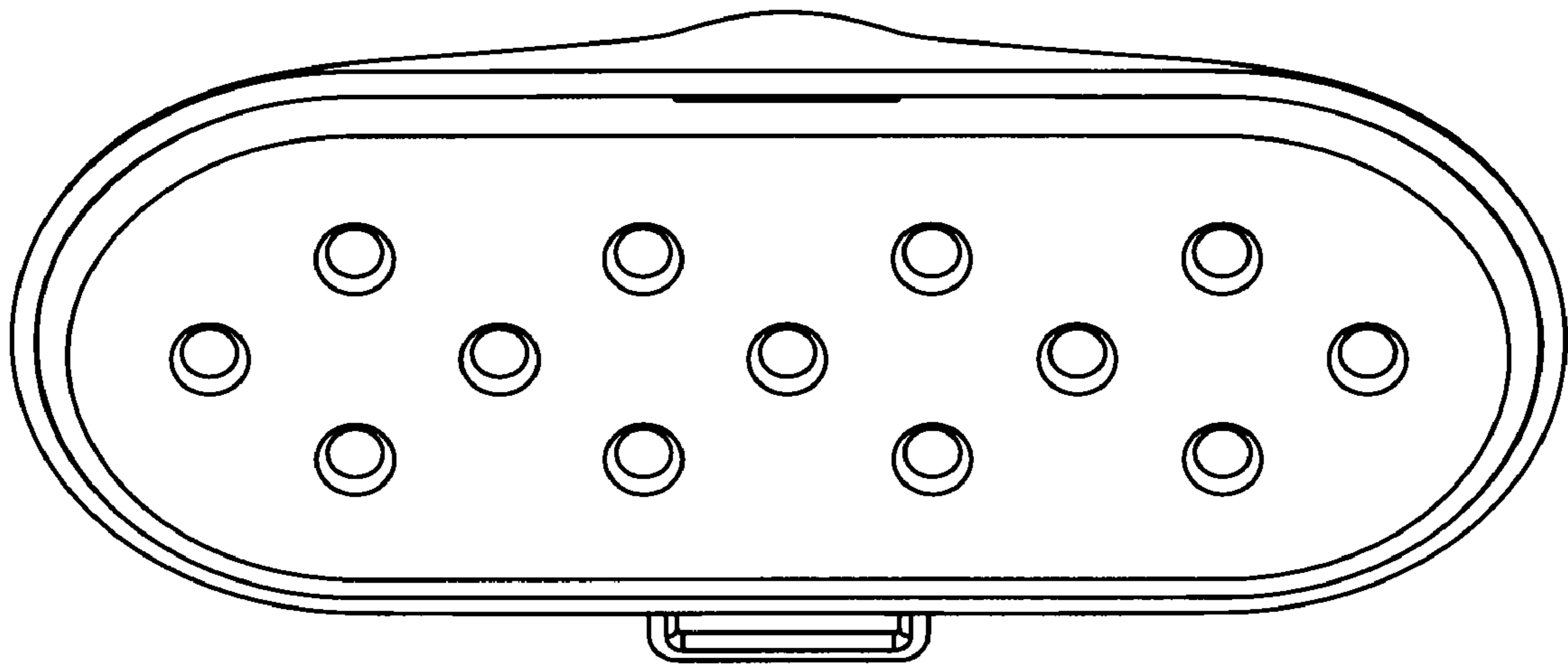


Fig. 7

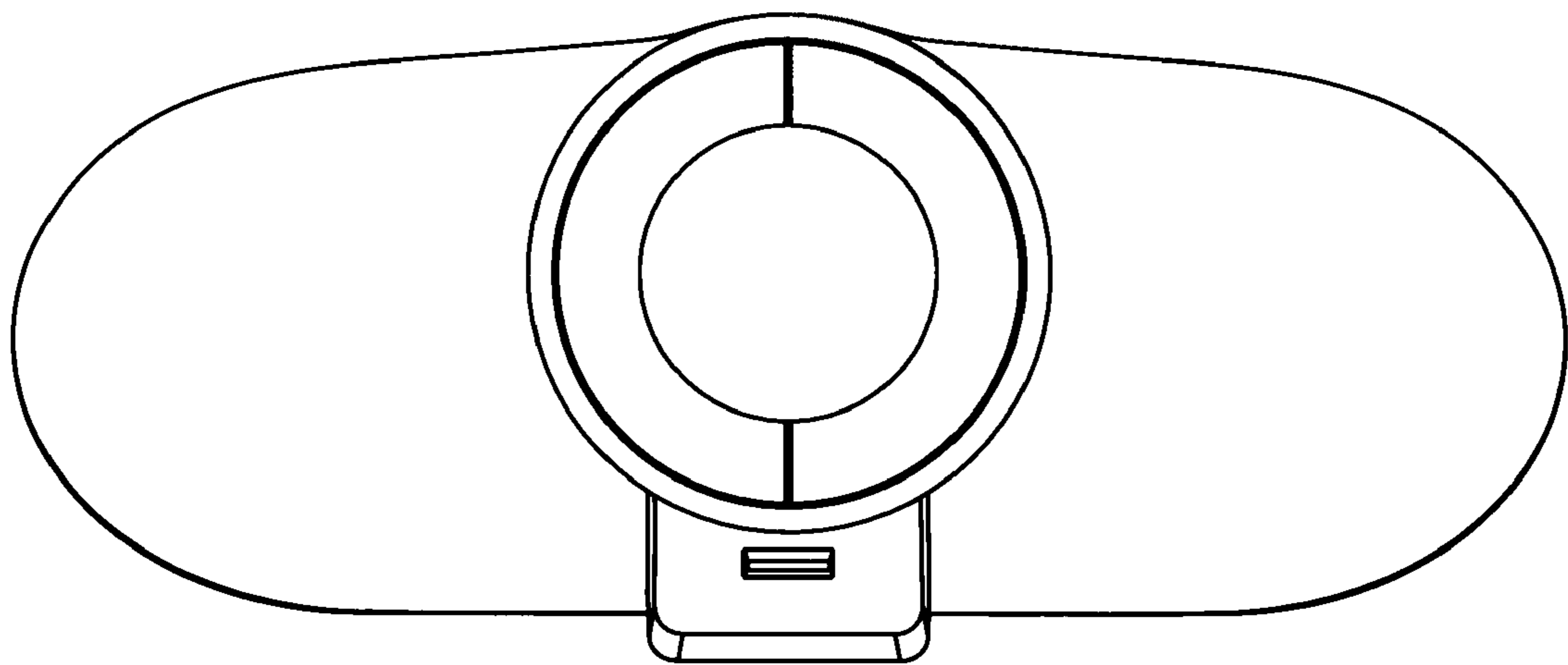


Fig. 8