



US00D592362S

(12) **United States Design Patent**
Rutherford et al.

(10) **Patent No.:** **US D592,362 S**
(45) **Date of Patent:** **** May 12, 2009**

(54) **BIRDCAGE ATTACHMENT**

(75) Inventors: **Ryan Rutherford**, Rutherford, NJ (US);
Klaus Woltmann, Demarest, NJ (US);
Jonathan Willinger, Tenafly, NJ (US)

(73) Assignee: **J.W. Pet Company, Inc.**, Teterboro, NJ
(US)

(**) Term: **14 Years**

(21) Appl. No.: **29/306,978**

(22) Filed: **Apr. 21, 2008**

Related U.S. Application Data

(60) Division of application No. 29/266,259, filed on Sep. 15, 2006, which is a continuation-in-part of application No. 29/264,790, filed on Aug. 17, 2006, now Pat. No. Des. 554,298, which is a division of application No. 29/230,071, filed on May 16, 2005, now Pat. No. Des. 530,866, which is a division of application No. 29/180,987, filed on May 2, 2003, now Pat. No. Des. 508,589, which is a continuation-in-part of application No. 10/371,646, filed on Feb. 21, 2003, now Pat. No. 6,971,332, application No. 29/266,259, which is a continuation-in-part of application No. 29/230,071, filed on May 16, 2005, now Pat. No. Des. 530,866, and a continuation-in-part of application No. 11/245,556, filed on Oct. 7, 2005, now abandoned, which is a continuation of application No. 29/230,071, filed on May 16, 2005, now Pat. No. Des. 530,866, and a continuation-in-part of application No. 11/182,380, filed on Jul. 15, 2005, now abandoned, which is a continuation of application No. 10/371,646, filed on Feb. 21, 2003, now Pat. No. 6,971,332.

(51) **LOC (9) Cl.** **30-02**

(52) **U.S. Cl.** **D30/119**

(58) **Field of Classification Search** D30/119,
D30/160, 199, 133, 121; 119/467, 468, 702,
119/537, 531-533, 705-708, 464, 161, 477,
119/703, 709-711, 469, 57.8, 466; 446/69,
446/227, 228, 241; 43/131; 403/362, 373,
403/374.1, 374.2; D6/553, 535, 536, 540,
D6/545, 556, 570, 572, 567; D26/10, 11,
D26/85; D7/620; 108/152; 248/311.2, 222.11,
248/291.1, 205.2, 310

See application file for complete search history.

(56) **References Cited**

U.S. PATENT DOCUMENTS

804,907 A 11/1905 Whitfield

(Continued)

FOREIGN PATENT DOCUMENTS

FR 2529751 1/1984

(Continued)

Primary Examiner—Susan Moon Lee

(74) *Attorney, Agent, or Firm*—Katten Muchin Rosenman
LLP

(57) **CLAIM**

We claim the ornamental design for a birdcage attachment, as shown and described.

DESCRIPTION

FIG. 1 is a perspective view of a birdcage attachment with the retaining bar in a closed position;

FIG. 2 is a front view thereof;

FIG. 3 is a rear view thereof;

FIG. 4 is a left side view thereof;

FIG. 5 is a right side view thereof;

FIG. 6 is a top view thereof;

FIG. 7 is a bottom view thereof;

FIG. 8 is a perspective view of the birdcage attachment showing the retaining bar in an open position;

FIG. 9 is a front view thereof;

FIG. 10 is a rear view thereof;

FIG. 11 is a left side view thereof;

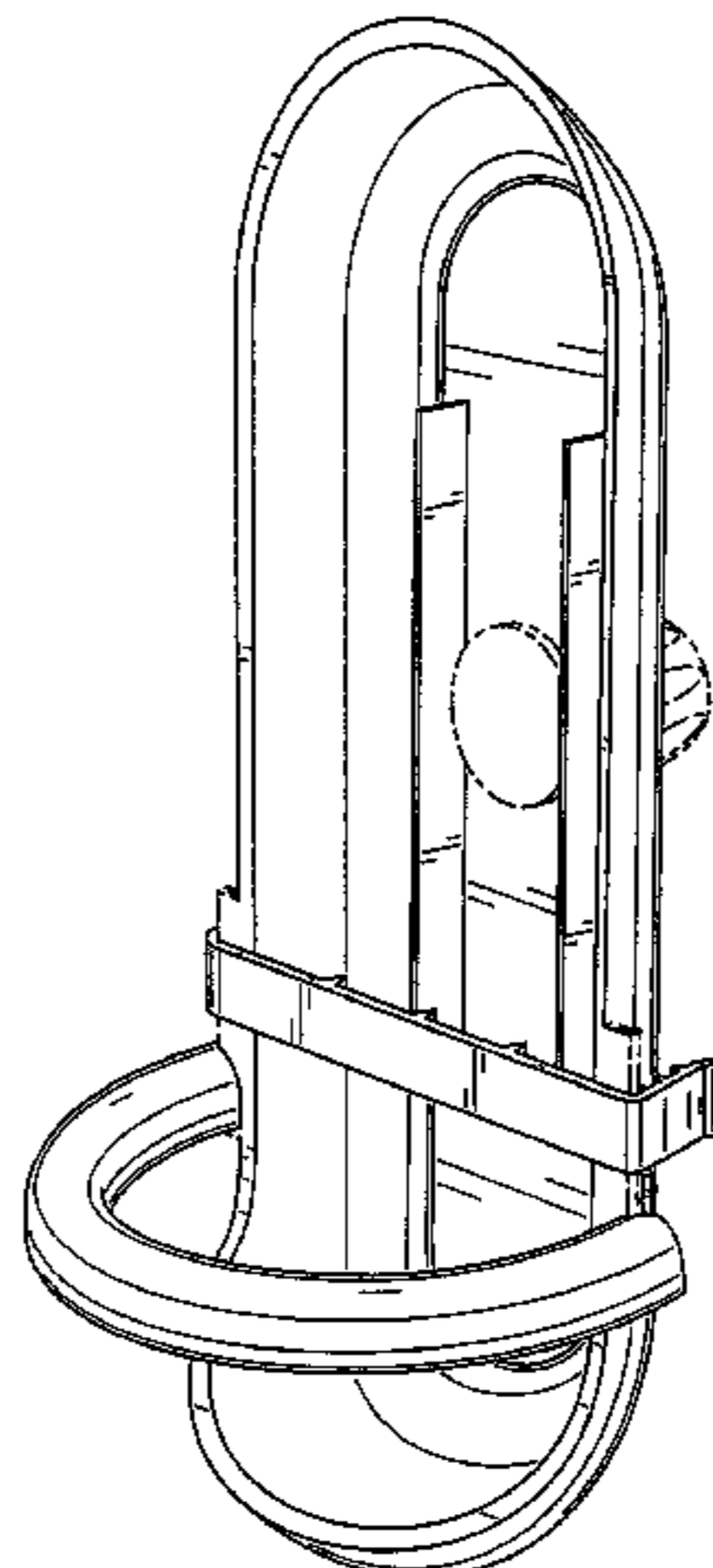
FIG. 12 is a right side view thereof;

FIG. 13 is a top view thereof; and,

FIG. 14 is a bottom view thereof.

The portions in broken line are not claimed.

1 Claim, 12 Drawing Sheets



US D592,362 S

Page 2

U.S. PATENT DOCUMENTS

811,870	A	2/1906	Quittner	4,188,745	A	2/1980	Harvey et al.
1,192,441	A	7/1916	Lydecker	D274,013	S	5/1984	Sun D30/124
1,446,740	A	2/1923	Eummelen	4,450,789	A	5/1984	Nilsen et al.
1,450,494	A	4/1923	Eummelen	4,542,714	A	9/1985	Ingraham et al.
1,530,657	A	3/1925	Eummelen	4,574,738	A	3/1986	Tominaga
1,632,380	A	6/1927	Marcus	4,634,089	A	1/1987	Wright et al.
1,718,432	A	6/1929	Qualmann	4,655,723	A	4/1987	Marason et al.
1,755,706	A	4/1930	St. George	4,732,112	A	3/1988	Fenner et al.
D89,923	S	5/1933	Robison	4,762,086	A	8/1988	Atchley
2,031,874	A	2/1936	Butler et al.	4,895,109	A	1/1990	De Groot et al. 119/51.5
2,066,264	A	12/1936	Fisher	5,018,480	A	5/1991	Goldman et al.
2,174,725	A	10/1939	Hutaff, Jr.	5,022,345	A	6/1991	Bolivar et al.
D128,779	S	8/1941	Hallenscheid	D333,071	S	2/1993	Lim
2,296,000	A	9/1942	Ojalvo	D347,957	S	6/1994	Kea
2,483,003	A	9/1949	Fischer	5,351,645	A	10/1994	Brennon
2,531,915	A	11/1950	Maly 119/464	D352,575	S	11/1994	Bransky et al. D30/127
D162,959	S	4/1951	Janes et al.	D353,693	S	12/1994	Lawson
D164,692	S	10/1951	Kelley	D355,732	S	2/1995	Huff
D166,334	S	4/1952	Moon	5,397,033	A	3/1995	Blomquist
D167,326	S	7/1952	Verosub et al.	D358,967	S	6/1995	Knighton
2,699,752	A	1/1955	Reyes	D371,226	S	6/1996	Lee
D174,580	S	4/1955	Kiehl	D371,227	S	6/1996	Lee
2,707,937	A	5/1955	Herman	5,612,500	A	3/1997	Liang
2,731,949	A	1/1956	Arnold	5,699,752	A	12/1997	Wilkins
2,800,105	A	7/1957	Ilg	D393,108	S	3/1998	Atchley D30/121
2,808,807	A	10/1957	Winton et al.	D407,952	S	4/1999	Kendrick
2,828,963	A	4/1958	Steiner	5,893,338	A	4/1999	Campbell et al.
2,943,600	A	7/1960	Rosoff	5,949,456	A	9/1999	Matsumoto et al.
3,017,589	A	1/1962	Chass	D430,326	S	8/2000	Littman
D197,758	S	3/1964	Schreckengost	6,189,489	B1	2/2001	Pearce
3,181,504	A	5/1965	Stortz	6,308,657	B1	10/2001	Schumacher et al.
3,185,133	A	5/1965	Bird	6,374,772	B1	4/2002	Brandt
D208,410	S	8/1967	Jacobsen D30/124	6,408,788	B1	6/2002	Lieb et al. 119/52.2
D210,567	S	3/1968	Stanziale	6,457,439	B1	10/2002	Engelking
D212,111	S	8/1968	Zaretsky	6,561,129	B1	5/2003	Cheng
D221,387	S	8/1971	Bacon	D486,682	S	2/2004	Zins et al.
3,667,714	A	6/1972	Ziaylek, Jr.	6,736,088	B1	5/2004	McGregor et al.
3,678,901	A	7/1972	Dulle	7,392,763	B2	7/2008	Willinger et al. 119/464
3,707,949	A	1/1973	Lippi	2004/0108337	A1	6/2004	Makino et al.
3,815,282	A	6/1974	Frost	2005/0028749	A1	2/2005	Willinger et al.
D233,386	S	10/1974	Hammett				
3,911,866	A	10/1975	Dodd				
D249,566	S	9/1978	Wilhelm D30/124				

FOREIGN PATENT DOCUMENTS

FR 2561867 10/1985

* cited by examiner

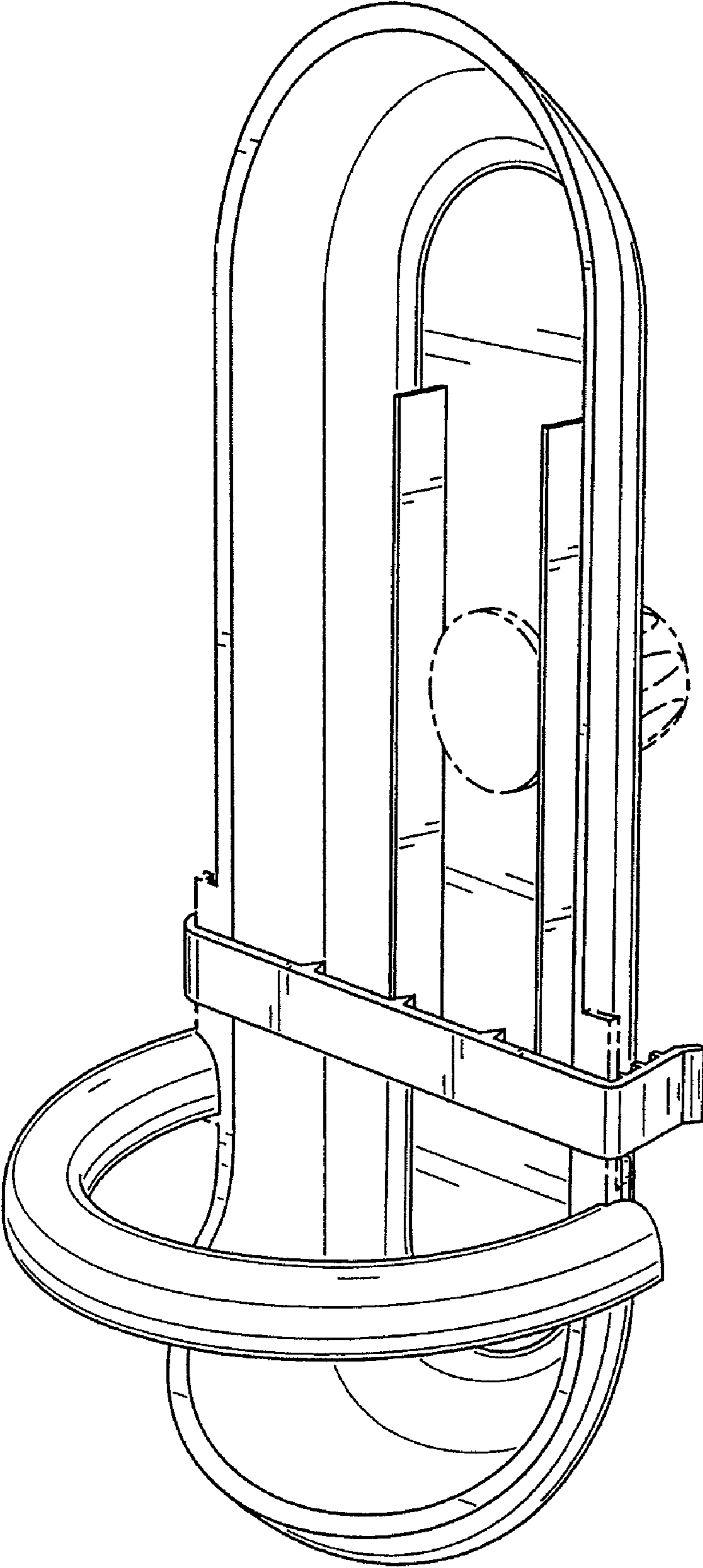


FIG. 1

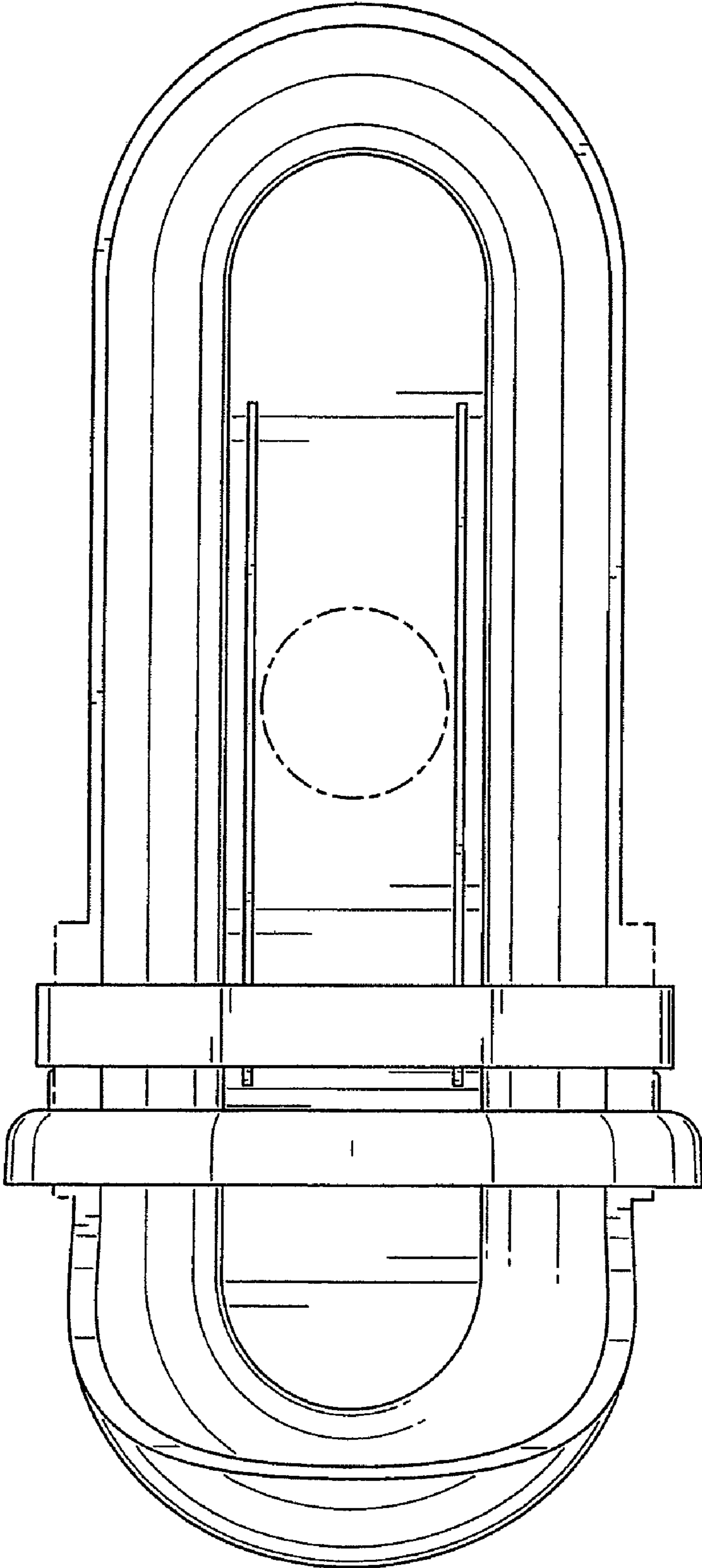


FIG. 2

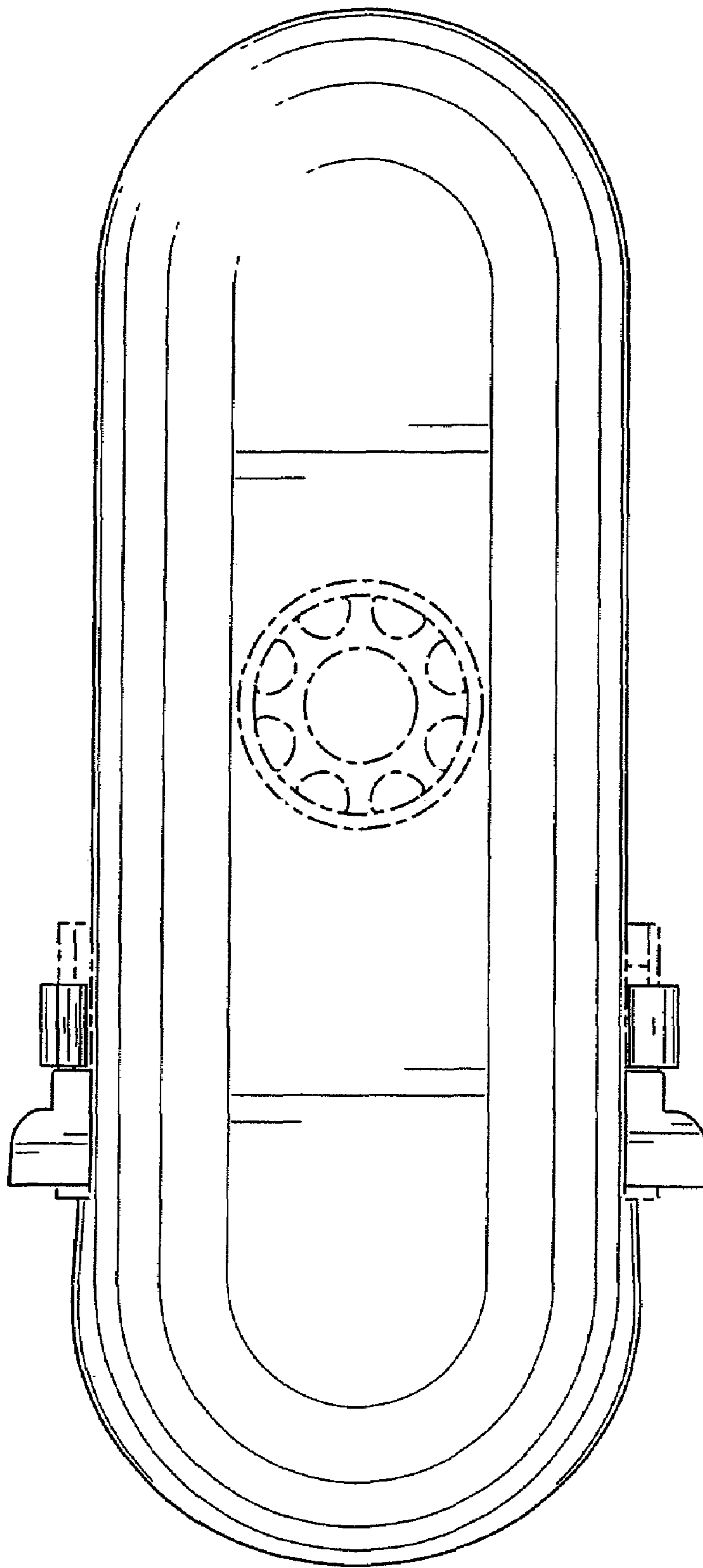


FIG. 3

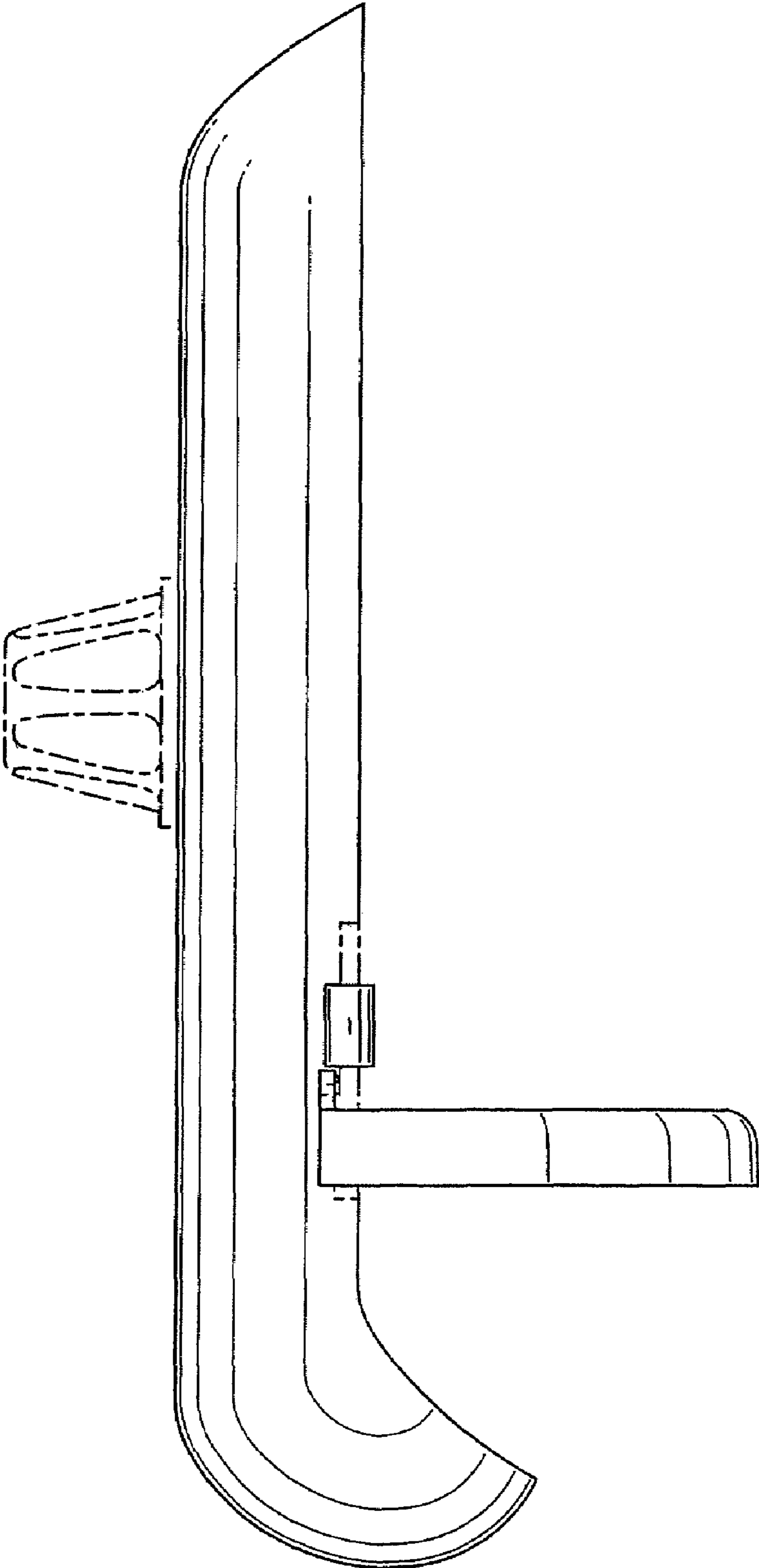


FIG. 4

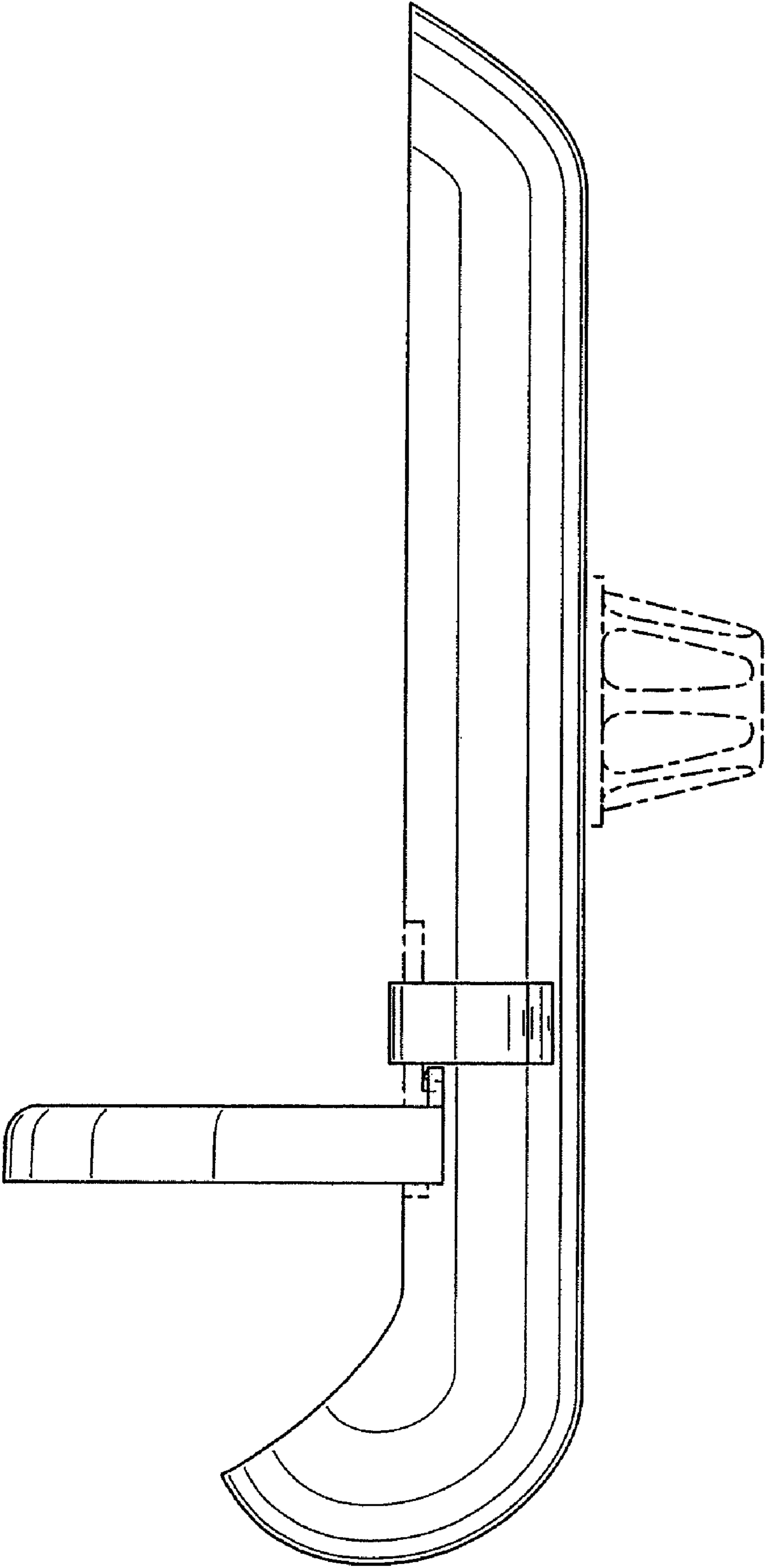


FIG. 5

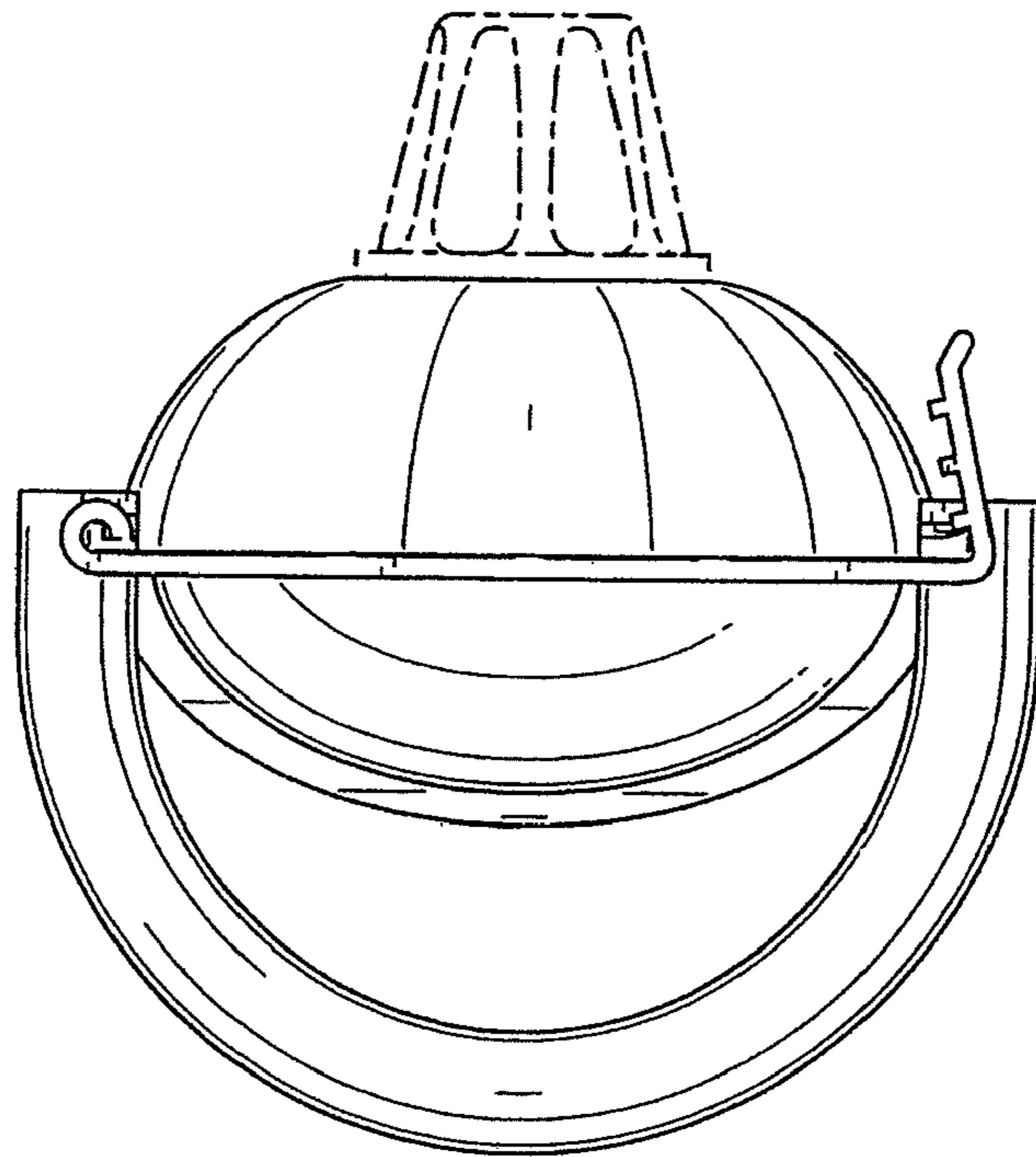


FIG. 6

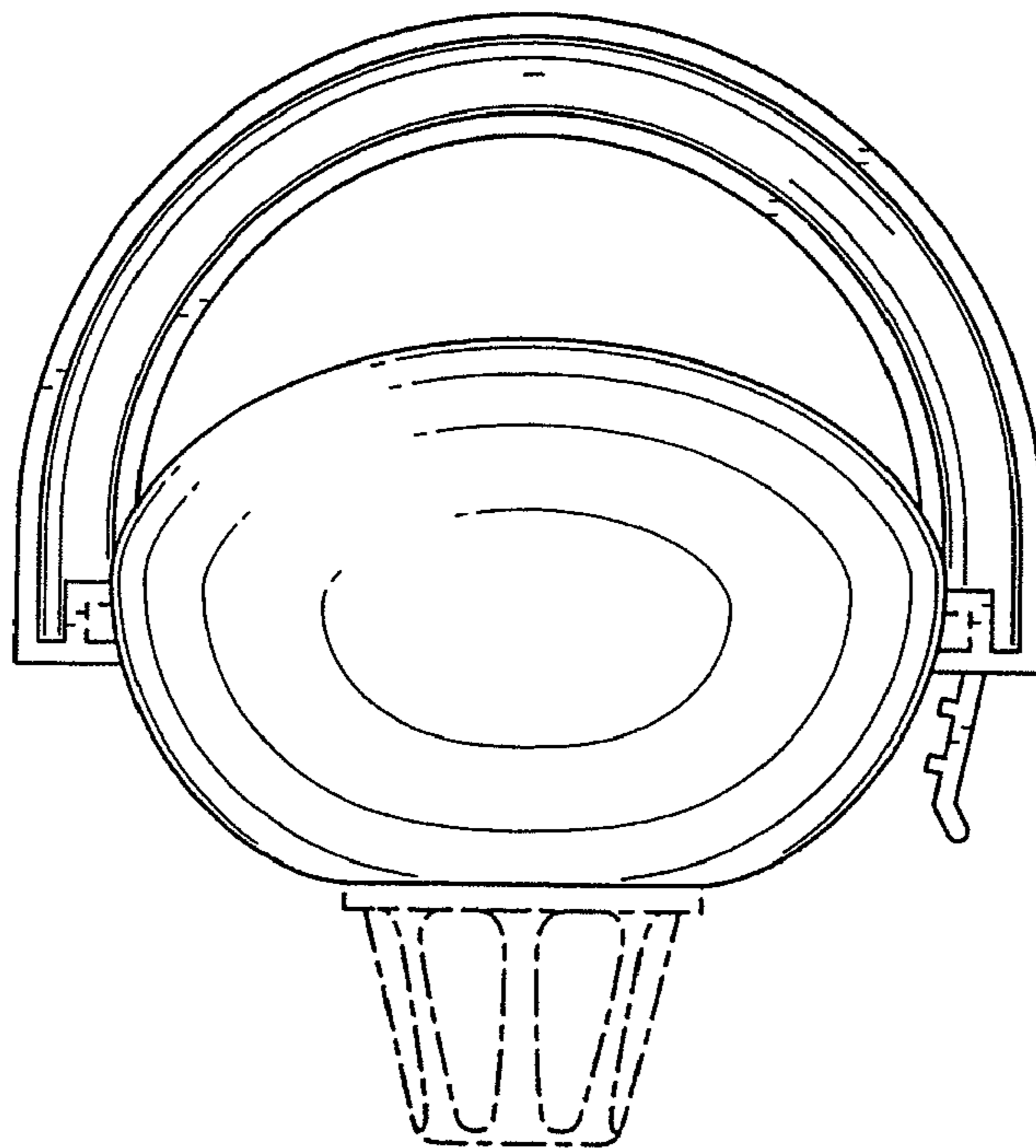


FIG. 7

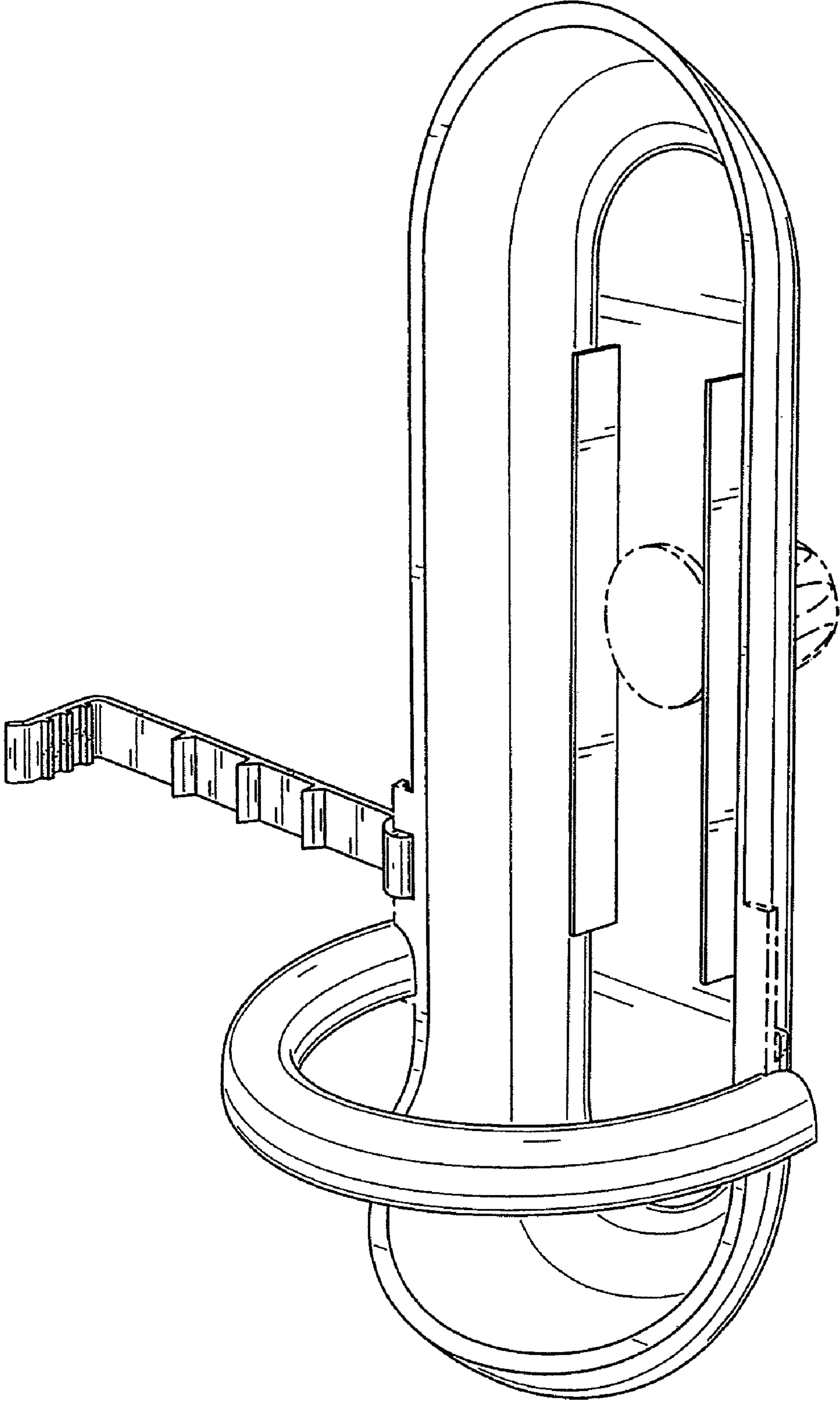


FIG. 8

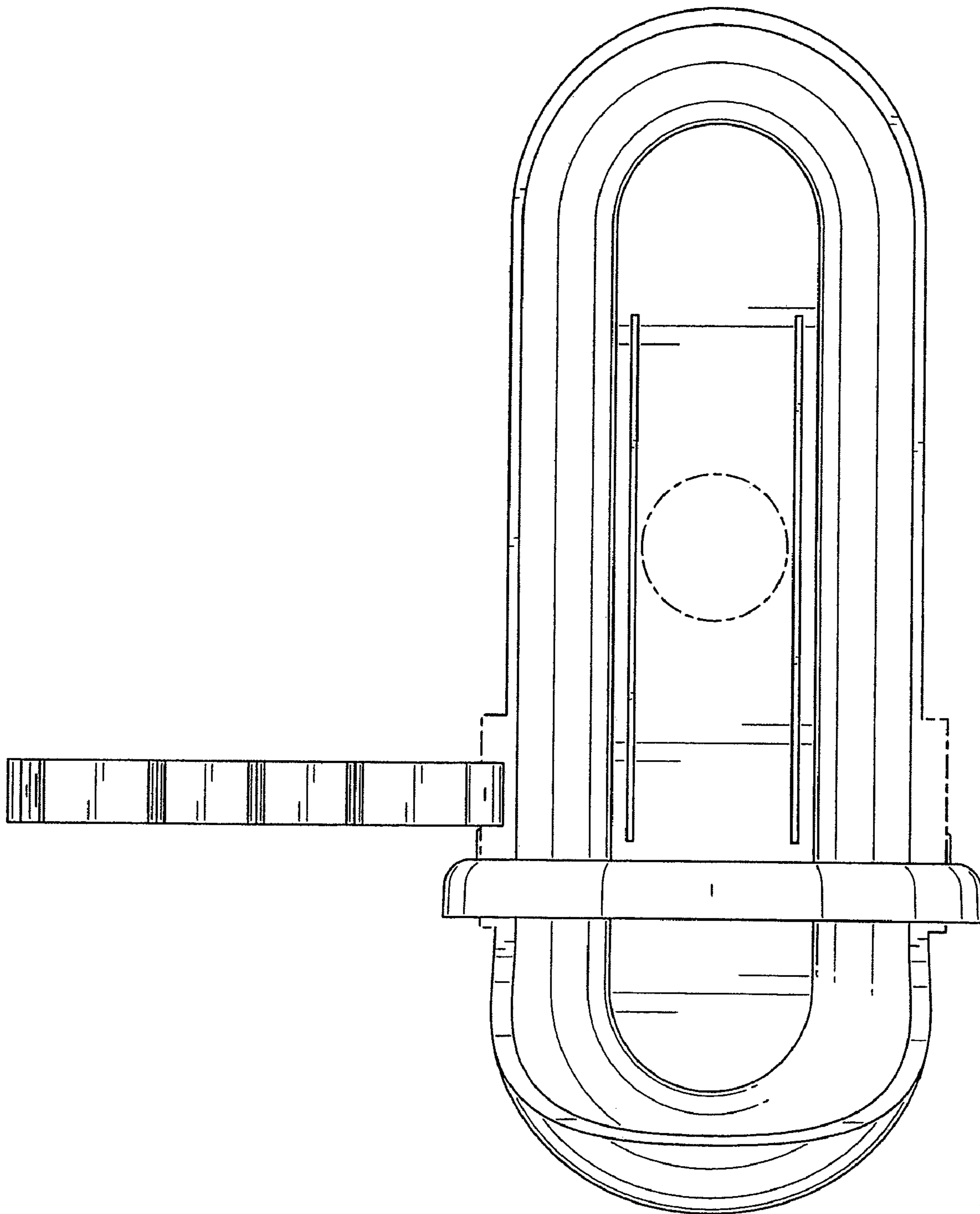


FIG. 9

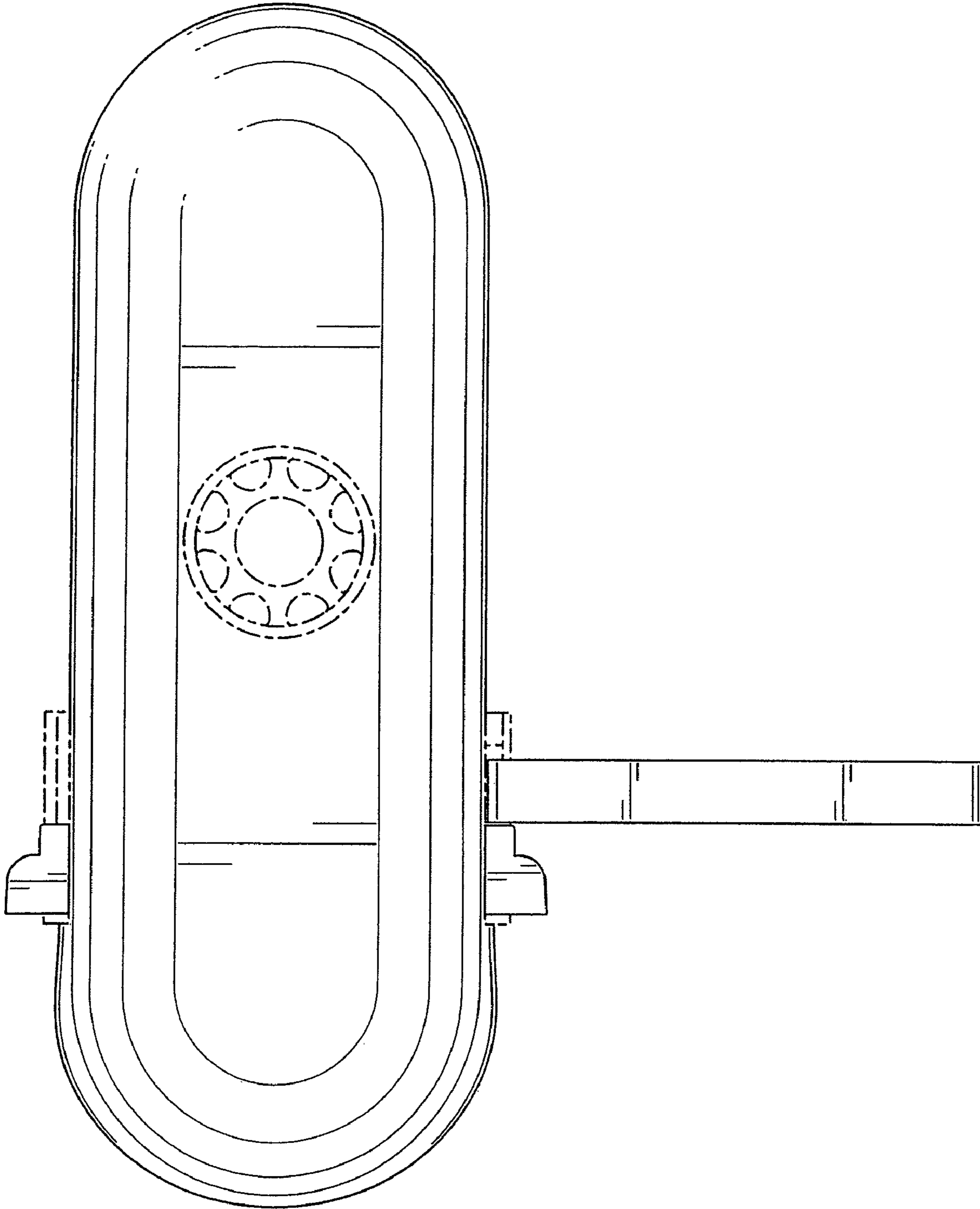


FIG. 10

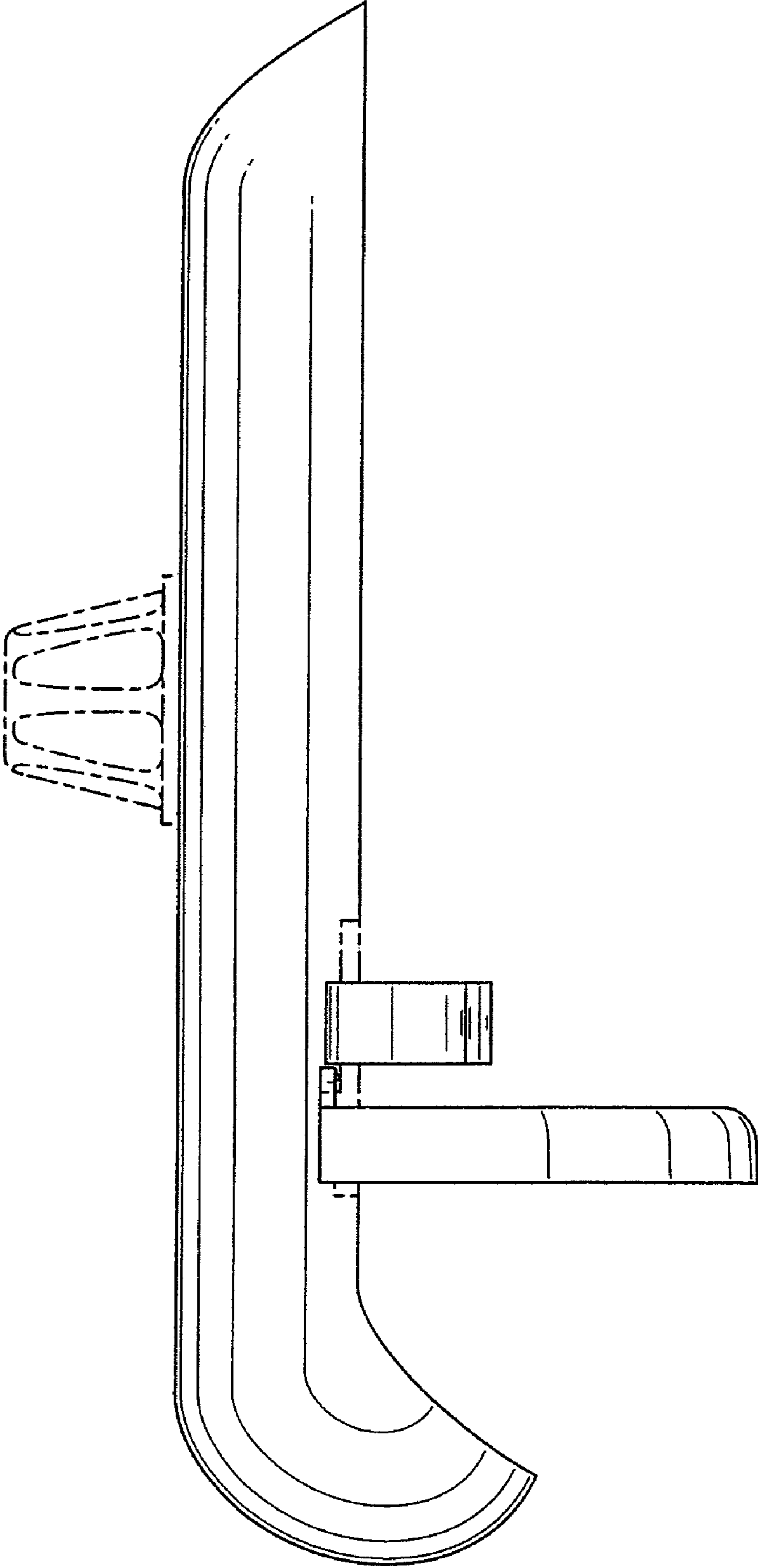


FIG. 11

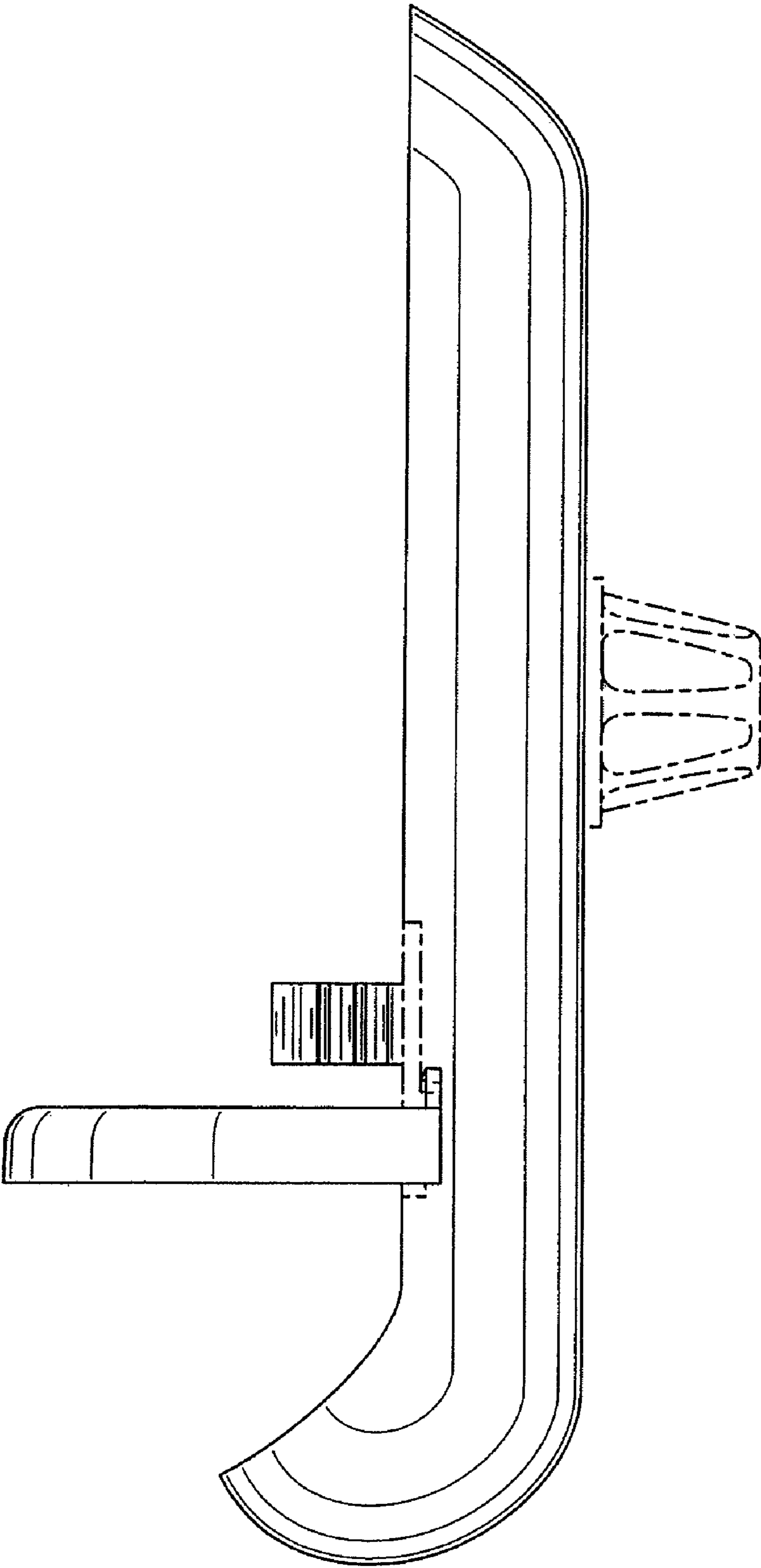


FIG. 12

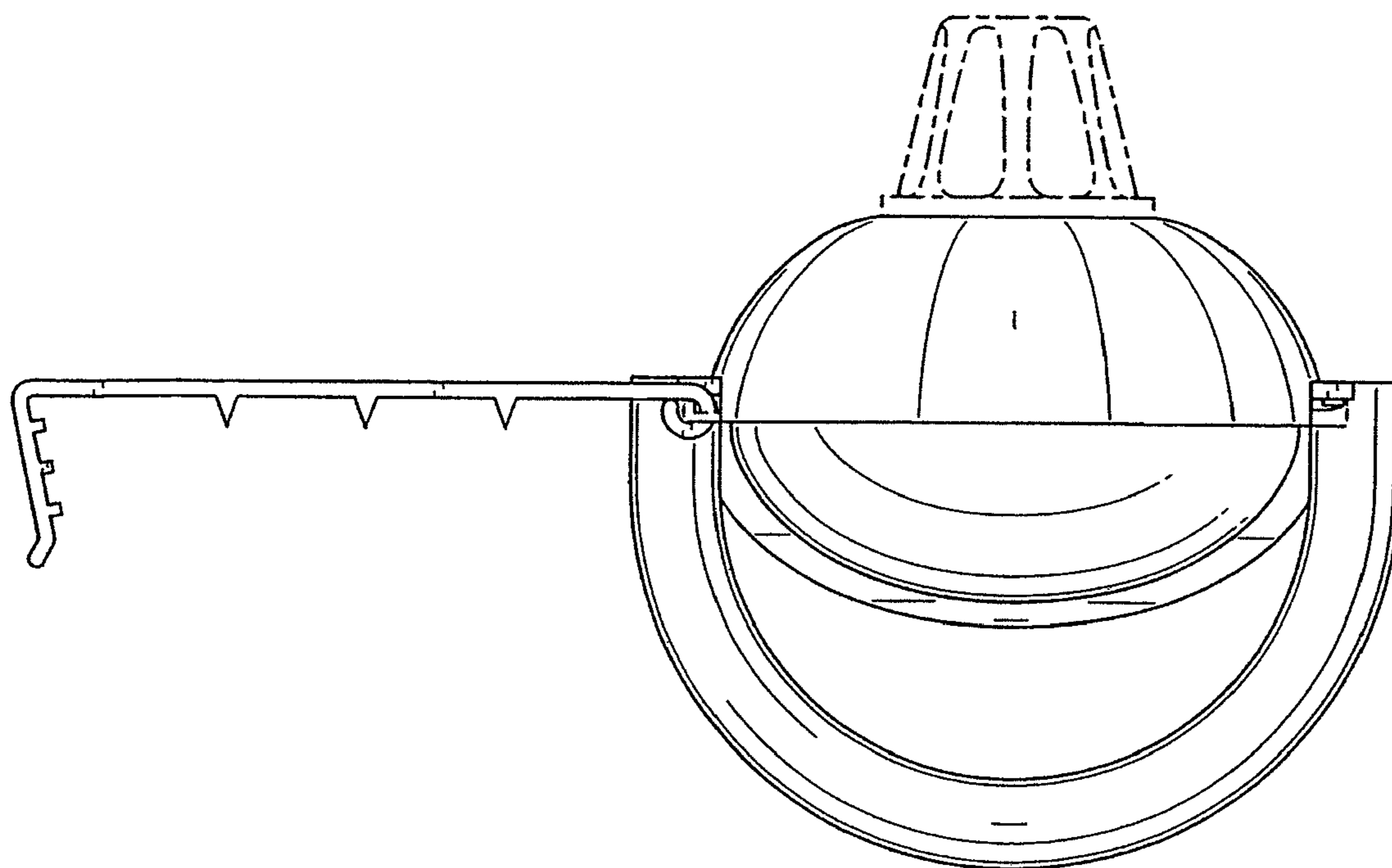


FIG. 13

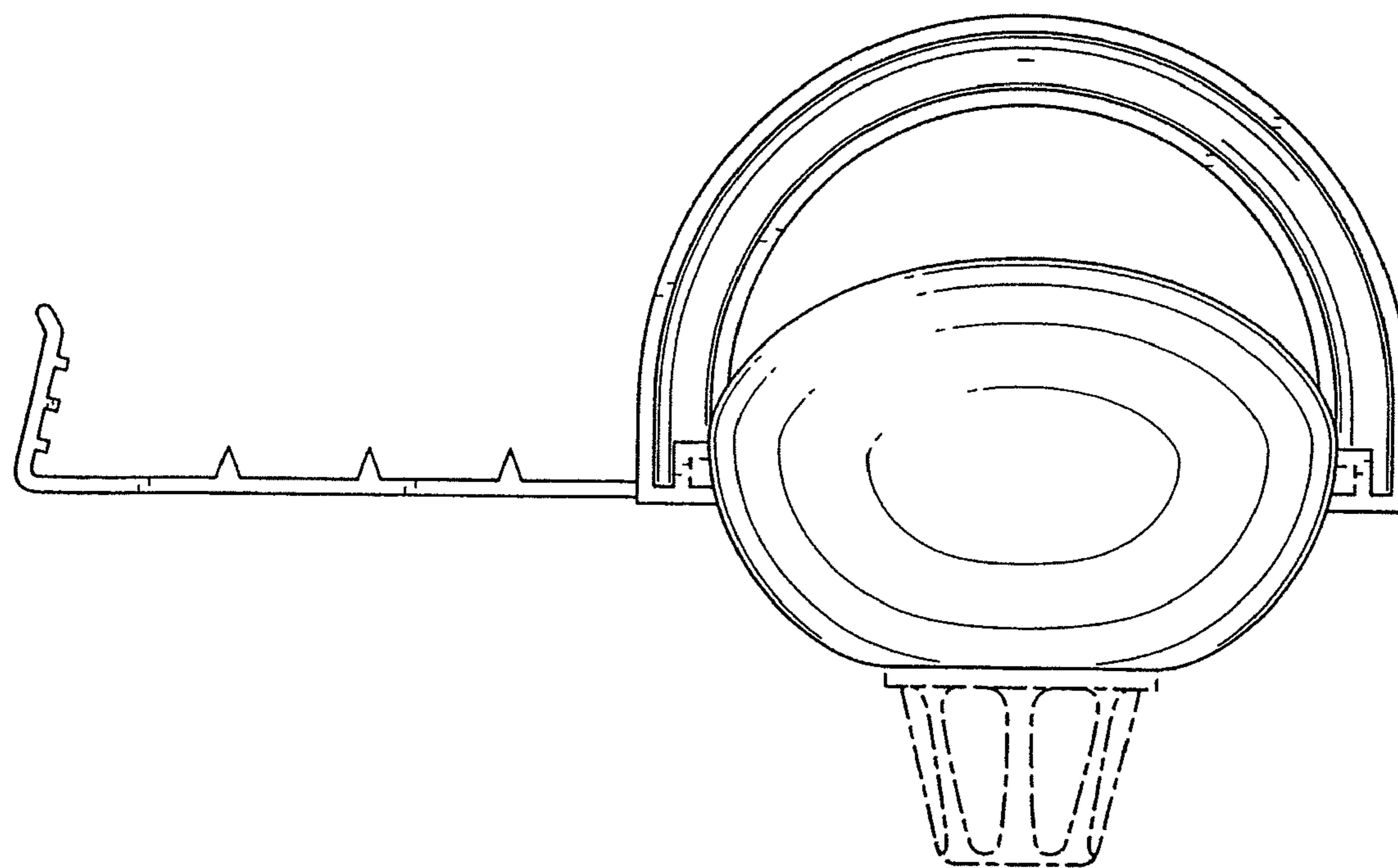


FIG. 14