

US00D592361S

(12) **United States Design Patent**  
**Jakubowski et al.**

(10) **Patent No.:** **US D592,361 S**

(45) **Date of Patent:** **\*\* May 12, 2009**

(54) **PET BOOSTER SEAT**

(75) Inventors: **Scott S. Jakubowski**, Castleton, VT (US); **Chris Jakubowski**, Rutland Town, VT (US); **Todd M. Jakubowski**, Rutland, VT (US); **Wu Cheng-Lung**, South ZhongShan (CN)

(73) Assignee: **Vermont Juvenile Furniture Mfg., Inc.**, West Rutland, VT (US)

(\*\*) Term: **14 Years**

(21) Appl. No.: **29/303,508**

(22) Filed: **Feb. 11, 2008**

(51) **LOC (9) Cl.** ..... **30-01**

(52) **U.S. Cl.** ..... **D30/118; D30/141**

(58) **Field of Classification Search** ..... D30/118;  
D6/334–335, 349, 359, 361, 377, 382, 388,  
D6/595–597, 601, 604; D21/520–521; 5/417;  
119/28.5, 706

See application file for complete search history.

(56) **References Cited**

**U.S. PATENT DOCUMENTS**

D151,291 S *	10/1948	Shoemaker et al. ....	D30/118
D245,716 S *	9/1977	Russo .....	D30/118
D256,408 S *	8/1980	Nakisbendi .....	D6/361
4,597,359 A	7/1986	Moorman	
5,275,464 A	1/1994	Eichhorn et al.	
5,479,892 A	1/1996	Edwards	
5,551,373 A	9/1996	O'Donnell	
5,685,258 A	11/1997	Fricano	

5,718,191 A	2/1998	O'Donnell	
D414,974 S *	10/1999	Marrone et al. ....	D6/601
D423,729 S *	4/2000	Morgan .....	D30/118
6,237,531 B1	5/2001	Peeples et al.	
D461,966 S *	8/2002	Reece .....	D6/356
6,588,365 B2	7/2003	Best Wright	
D528,706 S *	9/2006	Jefferson .....	D30/118
7,204,205 B2	4/2007	O'Donnell	
2008/0011234 A1 *	1/2008	Wilkes .....	119/28.5

\* cited by examiner

*Primary Examiner*—Cathy Anne MacCormac  
(74) *Attorney, Agent, or Firm*—Volpe and Koenig, P.C.

(57) **CLAIM**

The ornamental design for a pet booster seat, as shown and described.

**DESCRIPTION**

FIG. 1 is a perspective view of a pet booster seat according to our design;

FIG. 2 is a front view thereof;

FIG. 3 is a back view thereof;

FIG. 4 is a left side view thereof;

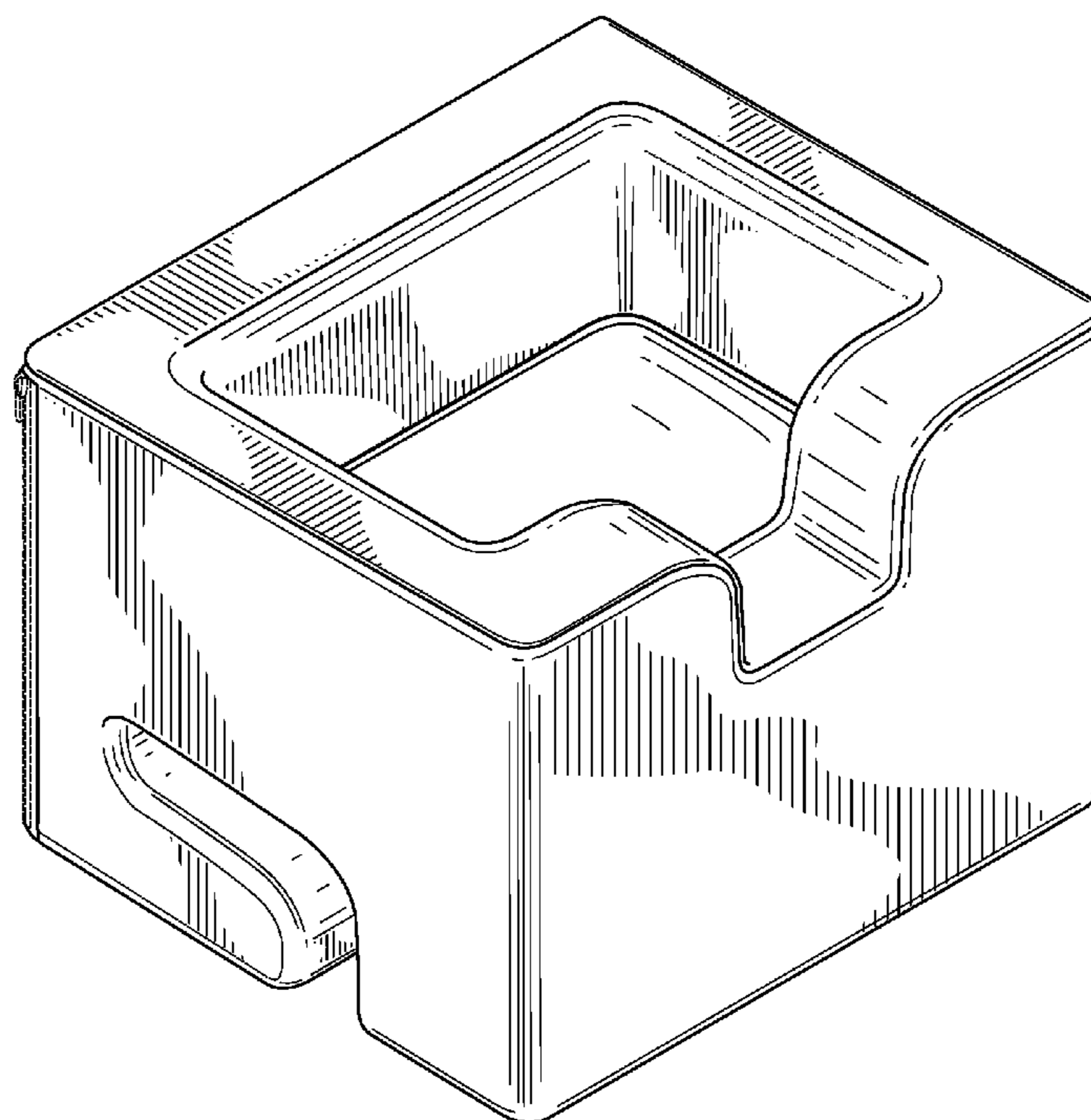
FIG. 5 is a right side view thereof,

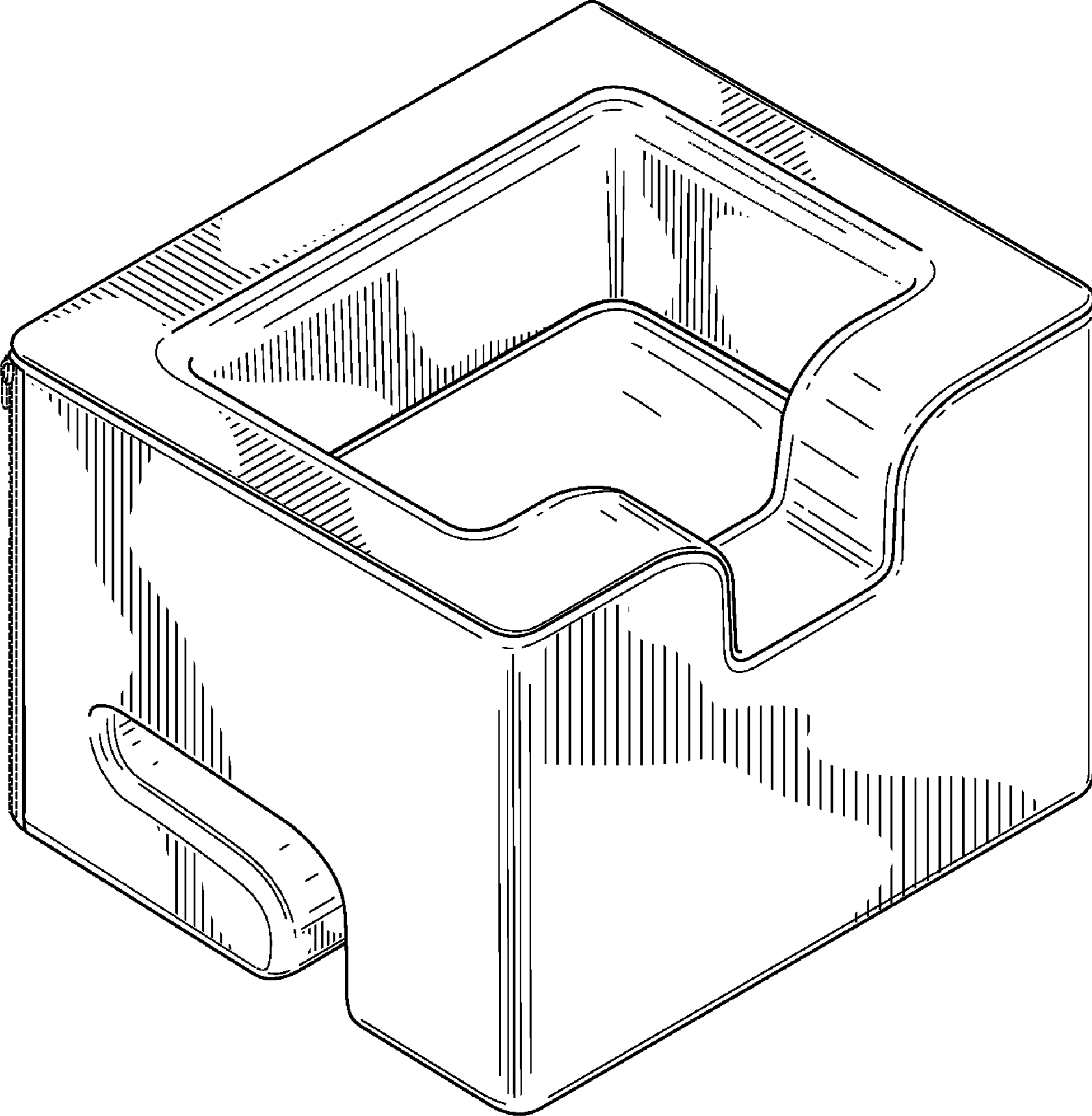
FIG. 6 is a top view thereof; and,

FIG. 7 is a bottom view thereof.

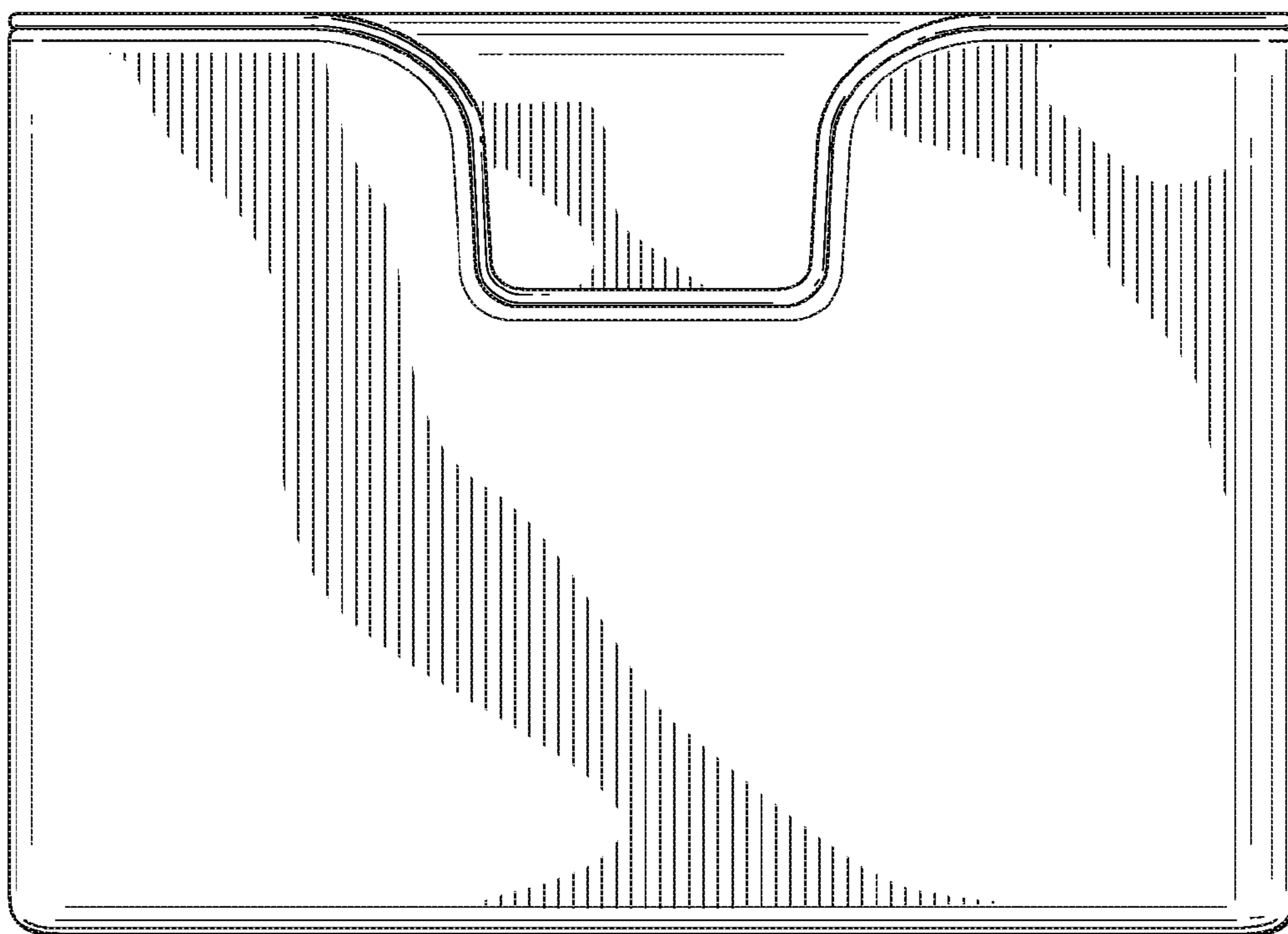
The broken lines are for purposes of illustration only and form no part of the claimed design.

**1 Claim, 5 Drawing Sheets**

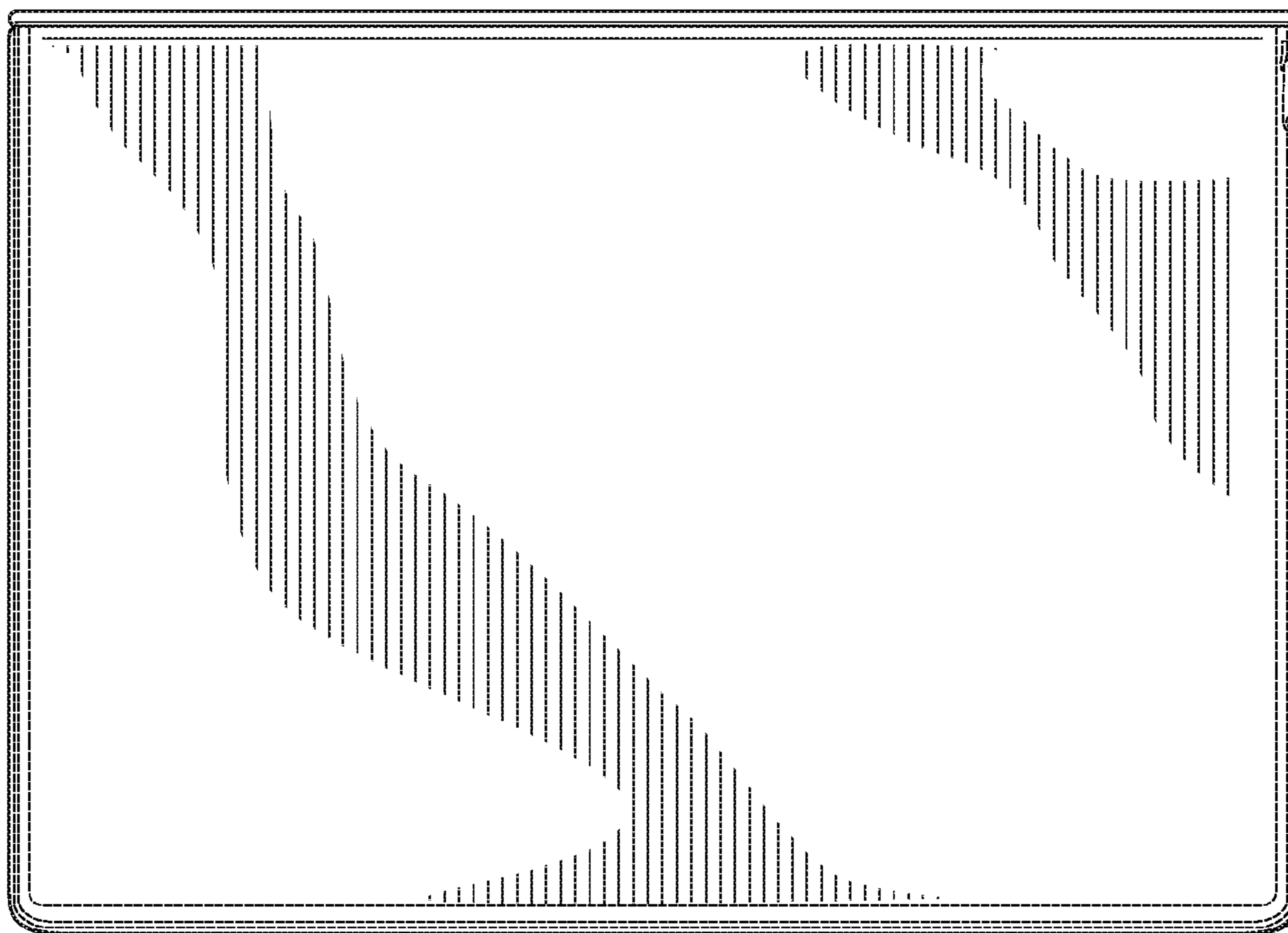




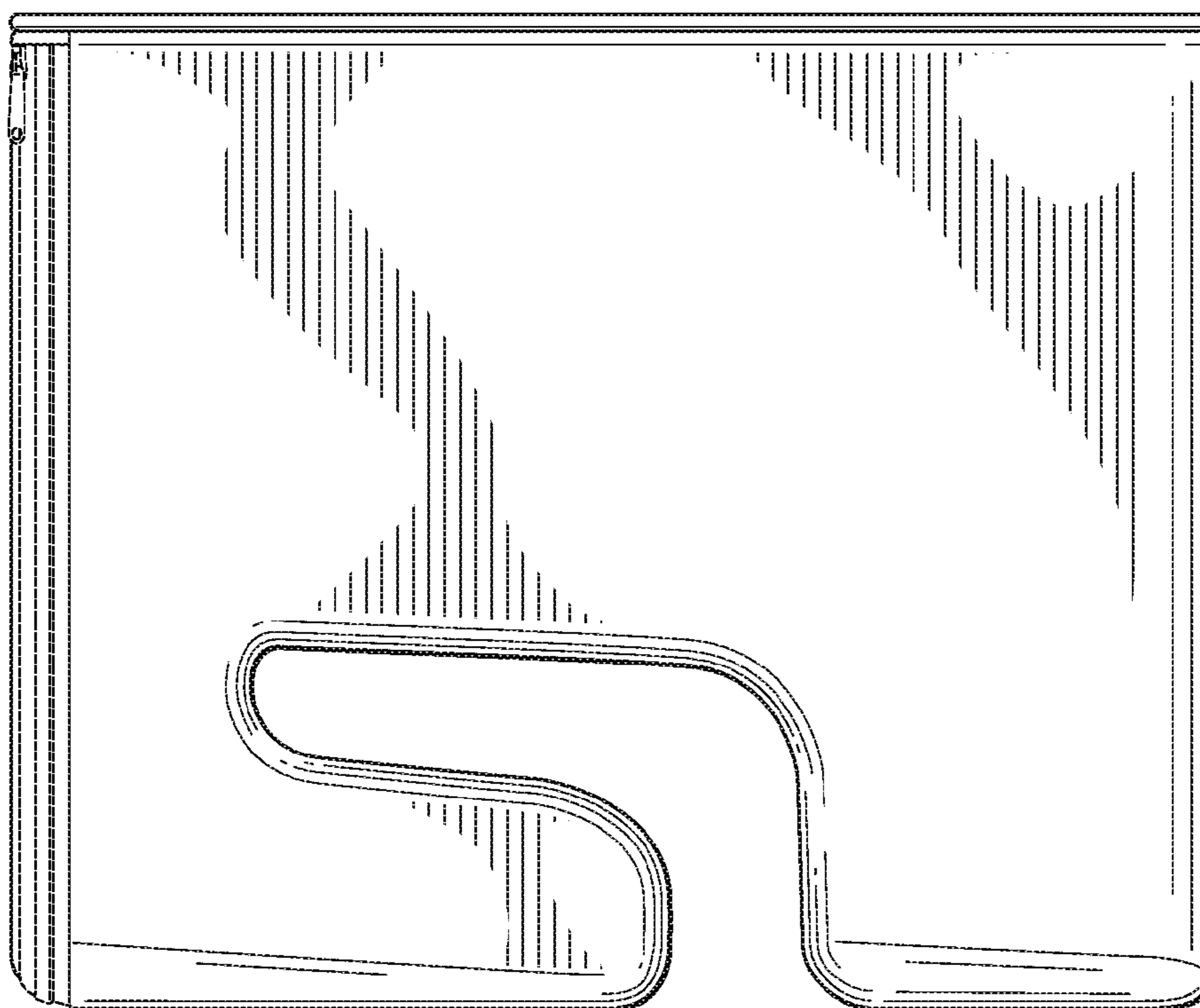
**FIG. 1**



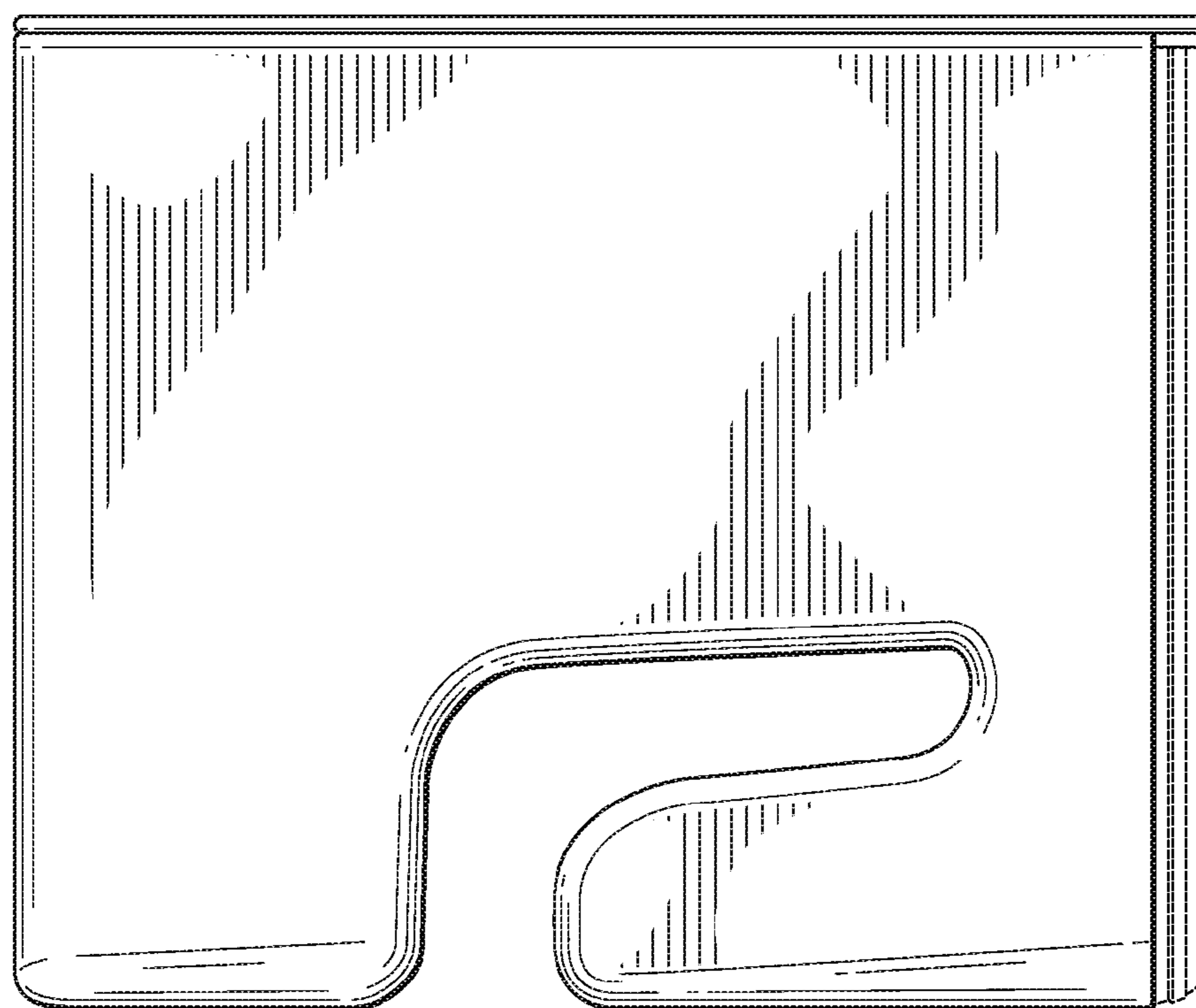
**FIG. 2**



**FIG. 3**

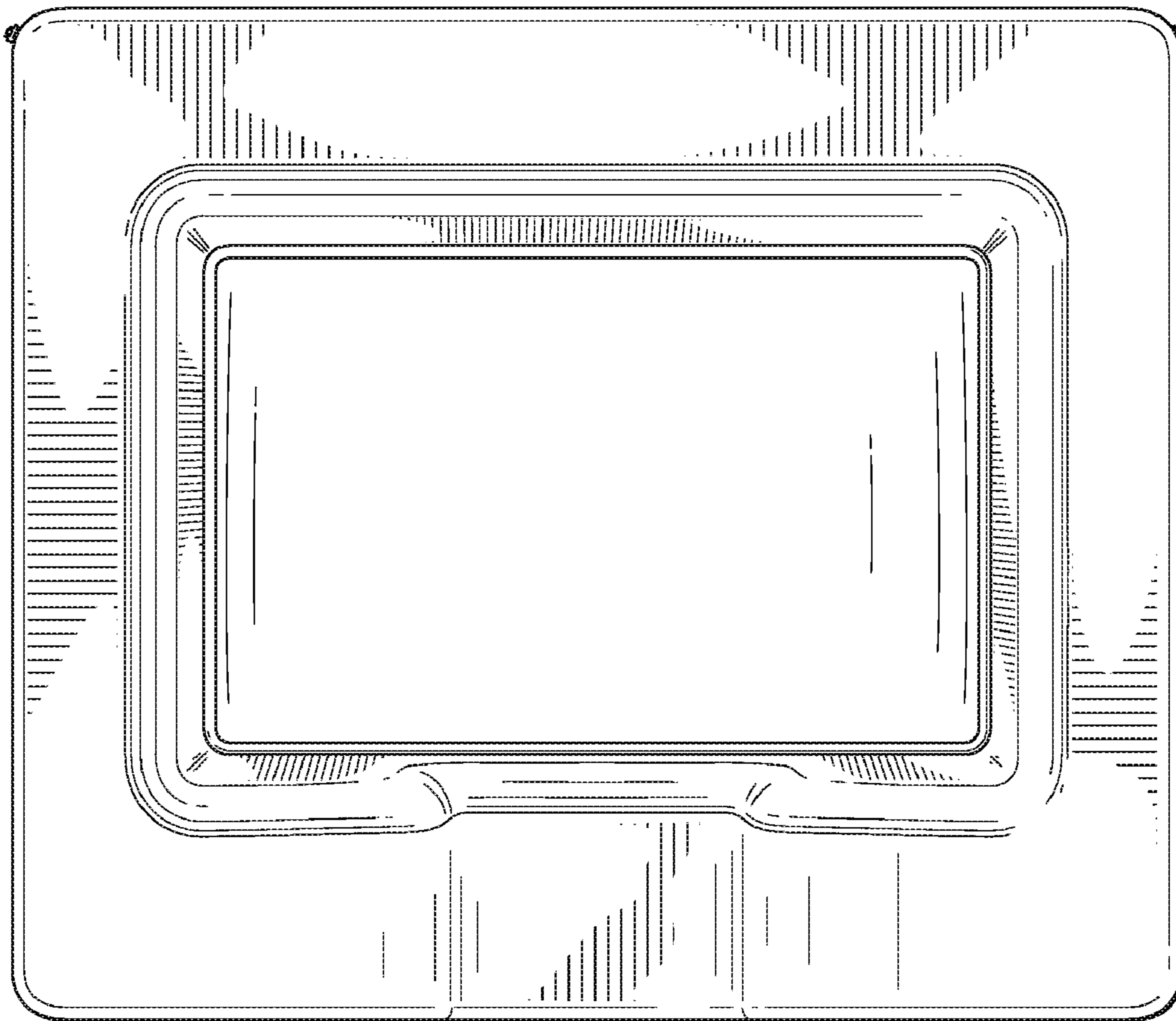


**FIG. 4**

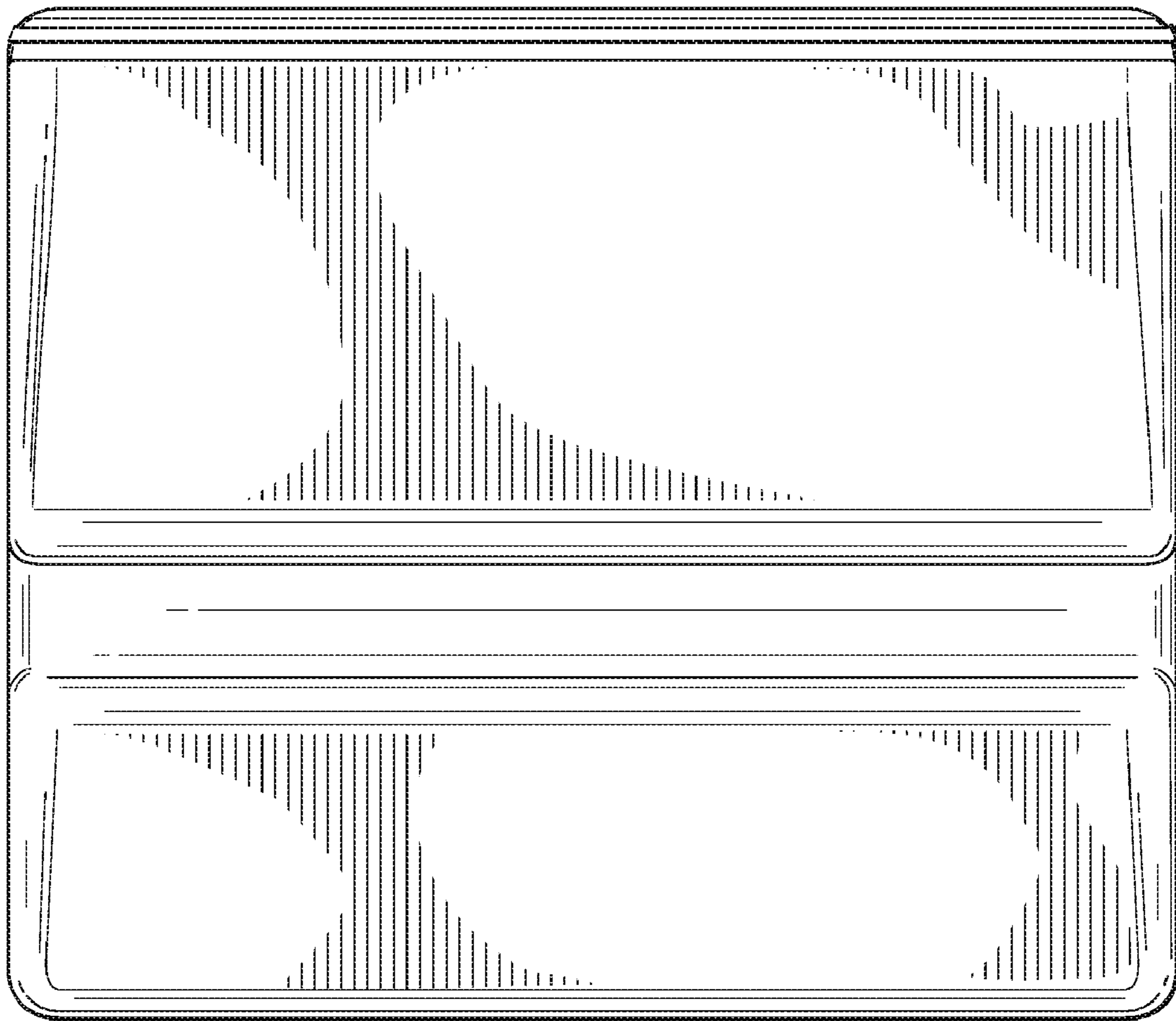


**FIG. 5**





**FIG. 6**



**FIG. 7**