



US00D592351S

(12) **United States Design Patent**
Kinnune et al.

(10) **Patent No.:** **US D592,351 S**

(45) **Date of Patent:** **** May 12, 2009**

(54) **POST TOP MOUNT FOR A FLOODLIGHT
FIXTURE**

D554,791 S * 11/2007 Galipeau et al. D26/67
D556,357 S 11/2007 Butler et al.

(75) Inventors: **Brian Kinnune**, Racine, WI (US); **Alan J. Ruud**, Racine, WI (US); **Christopher Ruud**, Franksville, WI (US); **Robert D. Giese**, Kenosha, WI (US)

(73) Assignee: **Ruud Lighting, Inc.**, Racine, WI (US)

(**) Term: **14 Years**

(21) Appl. No.: **29/305,817**

(22) Filed: **Mar. 28, 2008**

(51) **LOC (9) Cl.** **26-99**

(52) **U.S. Cl.** **D26/155**

(58) **Field of Classification Search** D26/67,
D26/2, 68, 87, 145, 155, 141, 138, 142, 92,
D26/24, 72, 85, 86, 88, 93, 111, 113, 143,
D26/144, 147, 149, 150, 152, 153; 362/612,
362/145, 147, 151, 153, 153.1, 257, 296,
362/311, 351, 370, 382, 410, 414, 431, 432

See application file for complete search history.

(56) **References Cited**

U.S. PATENT DOCUMENTS

D191,128 S *	8/1961	Curtin et al.	D26/67
D192,125 S *	1/1962	Lasker	D26/67
D199,078 S *	9/1964	Turner et al.	D26/67
D199,802 S *	12/1964	Turner et al.	D26/67
D391,657 S *	3/1998	Compton	D26/68
D440,002 S	4/2001	Miranda	
D444,584 S	7/2001	Landefeld	
D470,965 S	2/2003	Landefeld	
D482,481 S	11/2003	Landefeld	
D504,536 S	4/2005	Emory et al.	
D506,020 S *	6/2005	Chen	D26/68
D515,231 S *	2/2006	Randazzo et al.	D26/67
D529,218 S	9/2006	Wen	
D529,653 S	10/2006	Galipeau et al.	
D537,556 S *	2/2007	Summerford et al.	D26/142
D553,779 S	10/2007	Butler	

OTHER PUBLICATIONS

Pages from Acuity Brands Lighting website, "Eurotique." Date: Copyright 2007. 10 pages.

Pages from www.bega-us.com website. "Bega." Date: Copyright 2005. 4 pages.

Pages from www.aal.net website. "Largent." Date: Copyright 2005. 13 pages.

Specification sheets from www.aal.net website. "Largent." Date: Copyright 2005. 3 pages.

* cited by examiner

Primary Examiner—Cathron C Brooks

Assistant Examiner—Kevin K Rudzinski

(74) *Attorney, Agent, or Firm*—Jansson Shupe & Munger Ltd.

(57) **CLAIM**

The ornamental design for a post top mount for a floodlight fixture, as shown and described.

DESCRIPTION

FIG. 1 is a perspective view from above of a post top mount for a floodlight fixture, the fixture and the post being shown in phantom lines;

FIG. 2 is a perspective view from below of the post top mount for the floodlight fixture of FIG. 1;

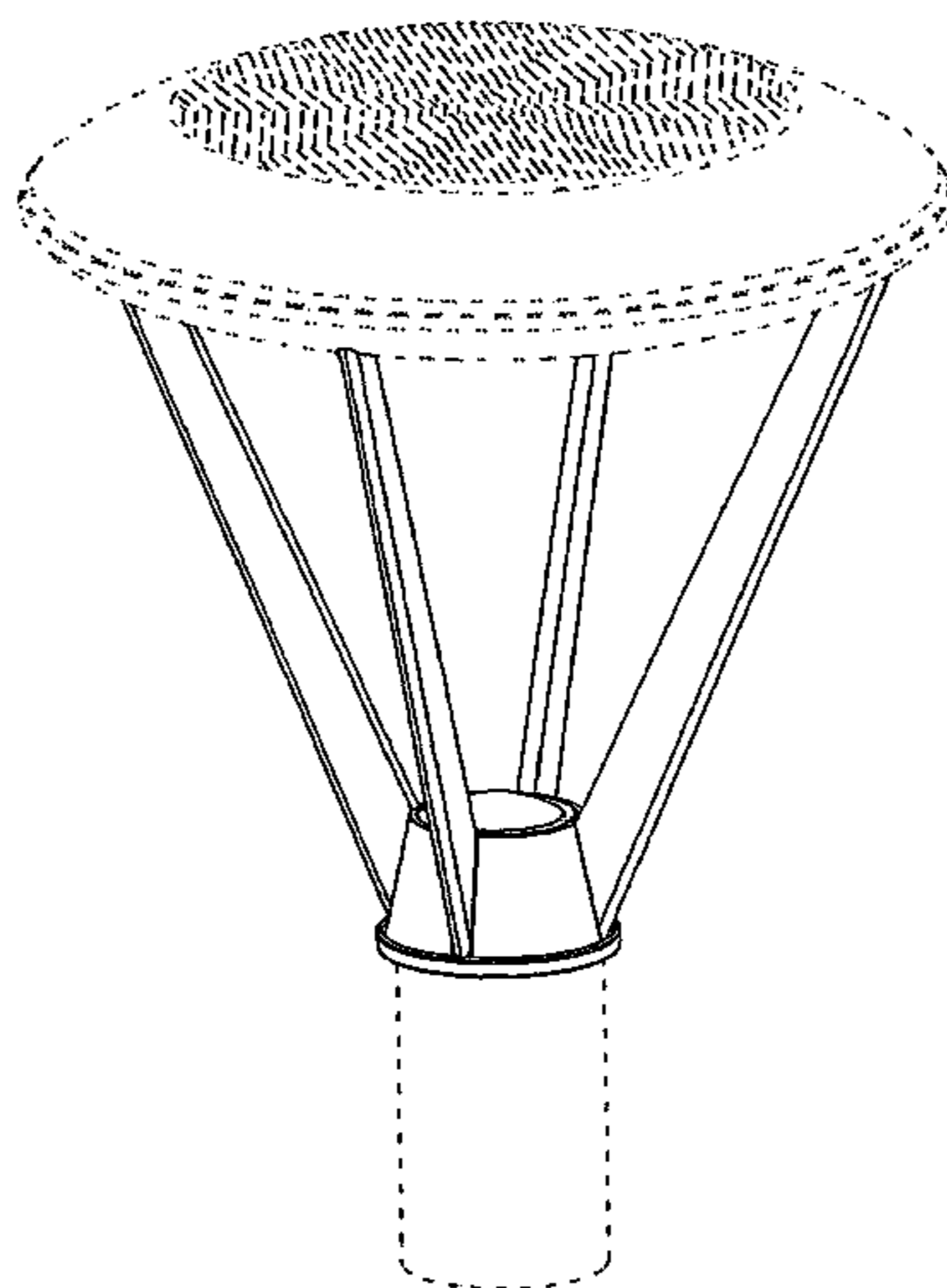
FIG. 3 is a front elevation of the post top mount for the floodlight fixture of FIG. 1, a rear, right-side and left-side elevations being identical images;

FIG. 4 a 45°-from-front elevation of the post top mount for the floodlight fixture of FIG. 1; and,

FIG. 5 is a bottom plan view of the post top mount for the floodlight fixture of FIG. 1.

The phantom lines are provided for illustrative purposes only and form no part of the claimed design.

1 Claim, 5 Drawing Sheets



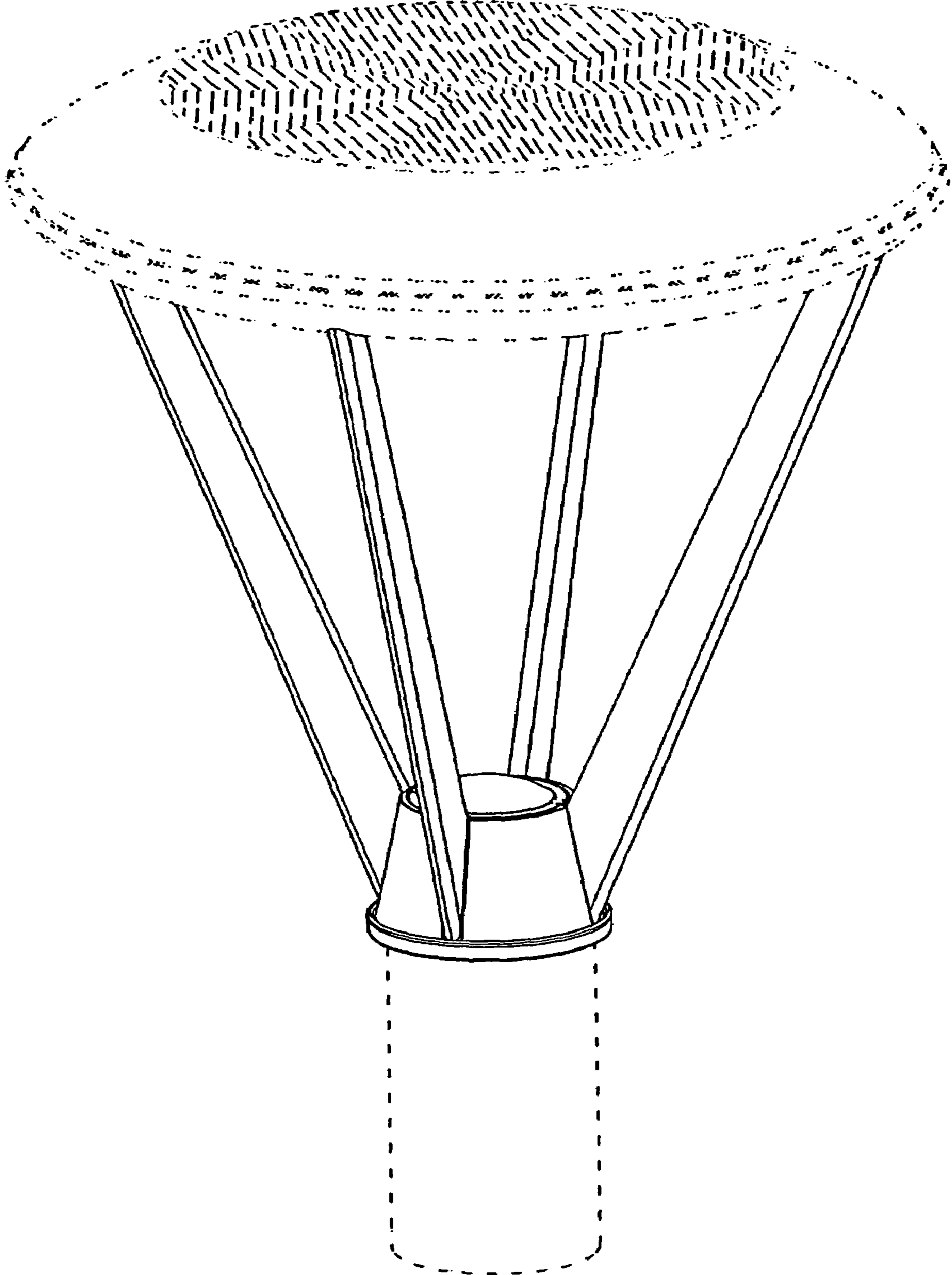


FIG.1

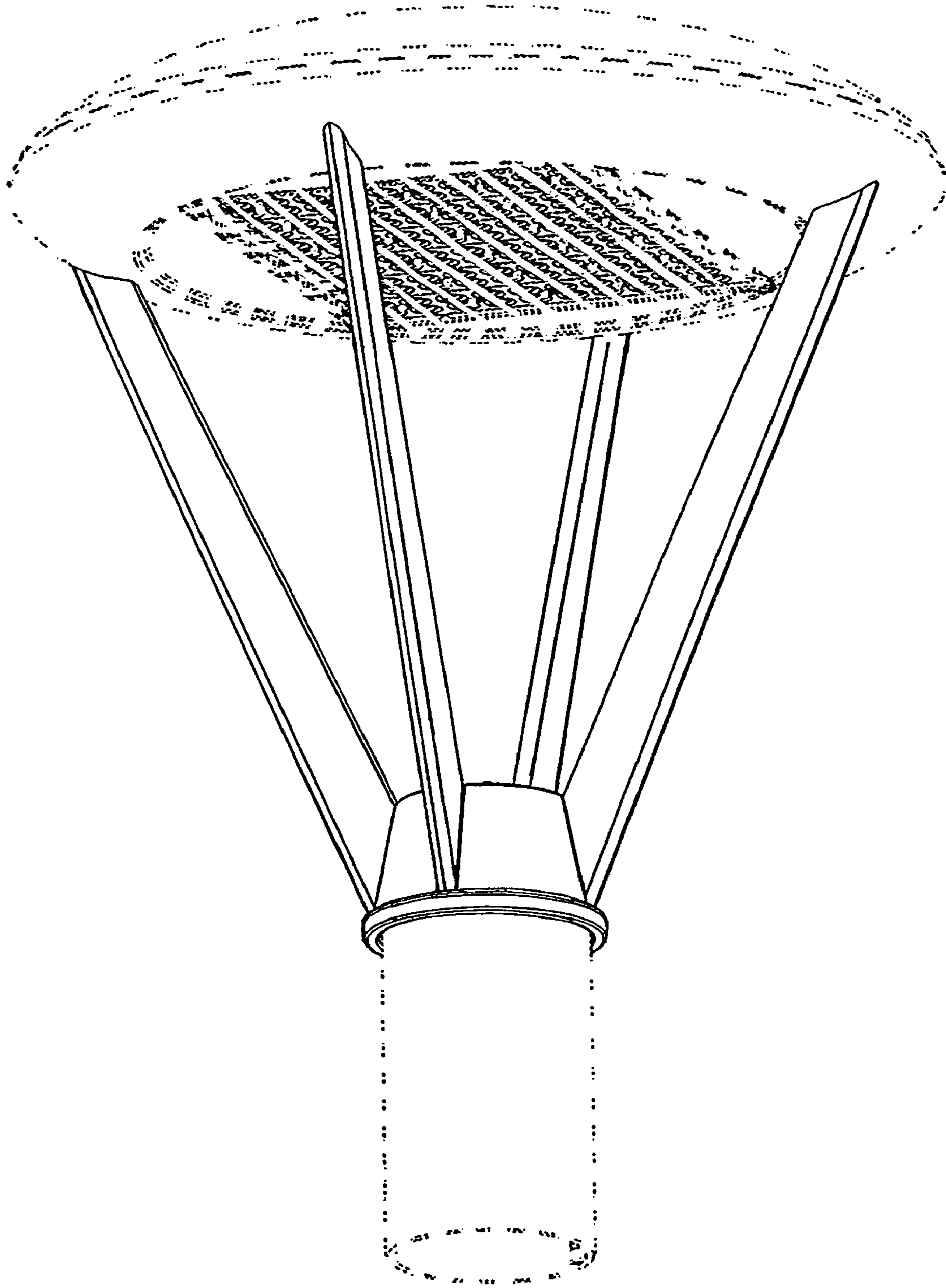


FIG. 2

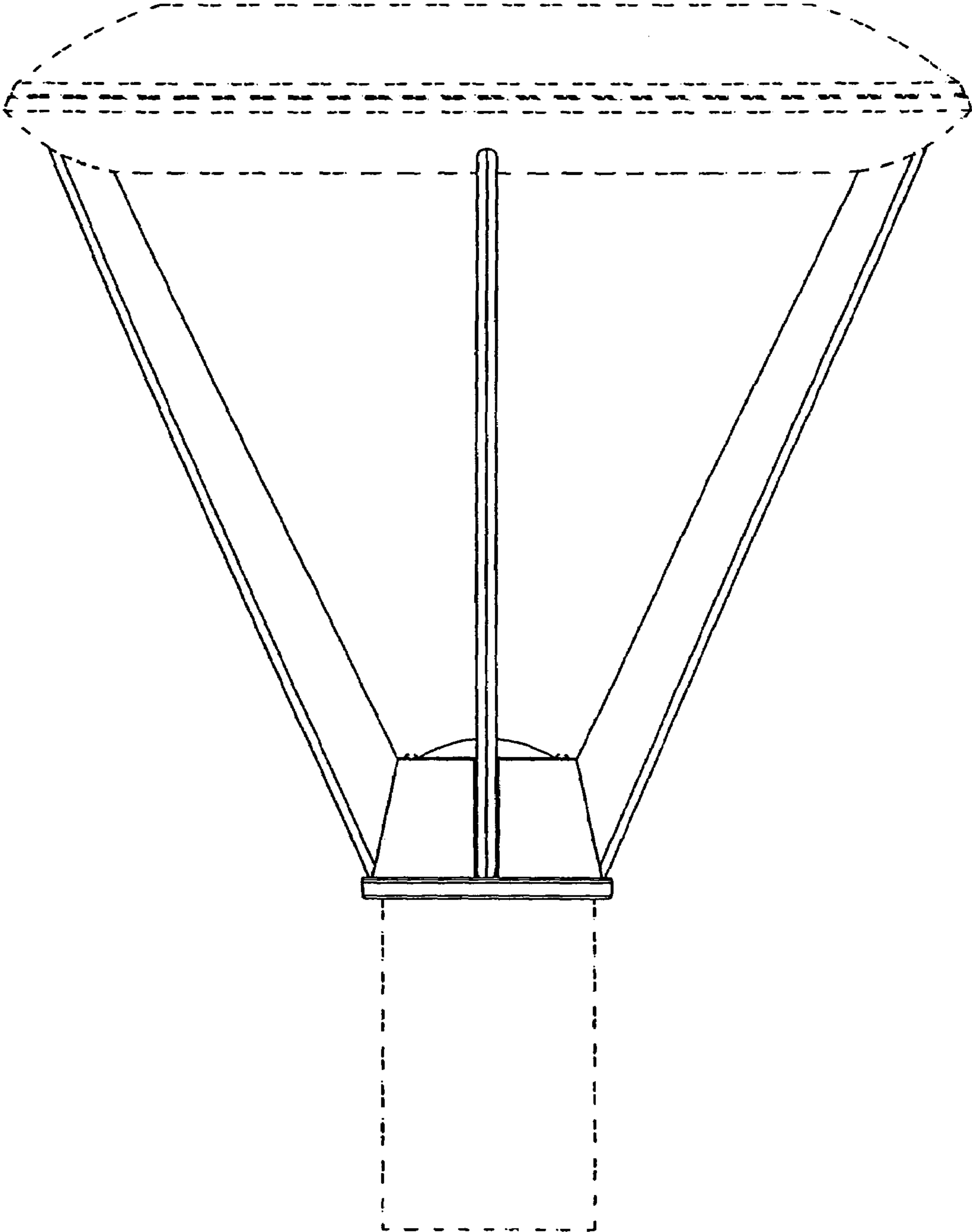


FIG. 3

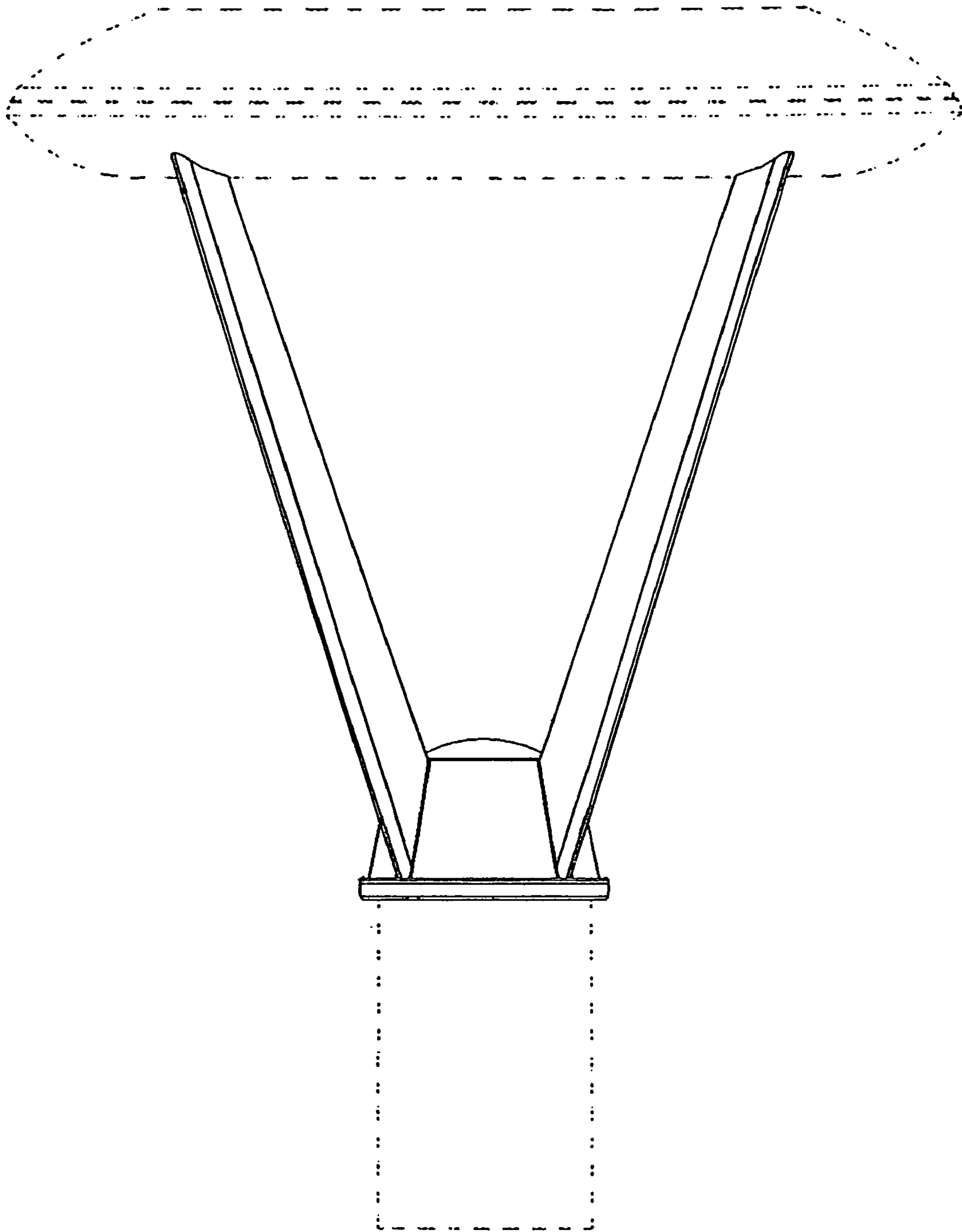


FIG. 4

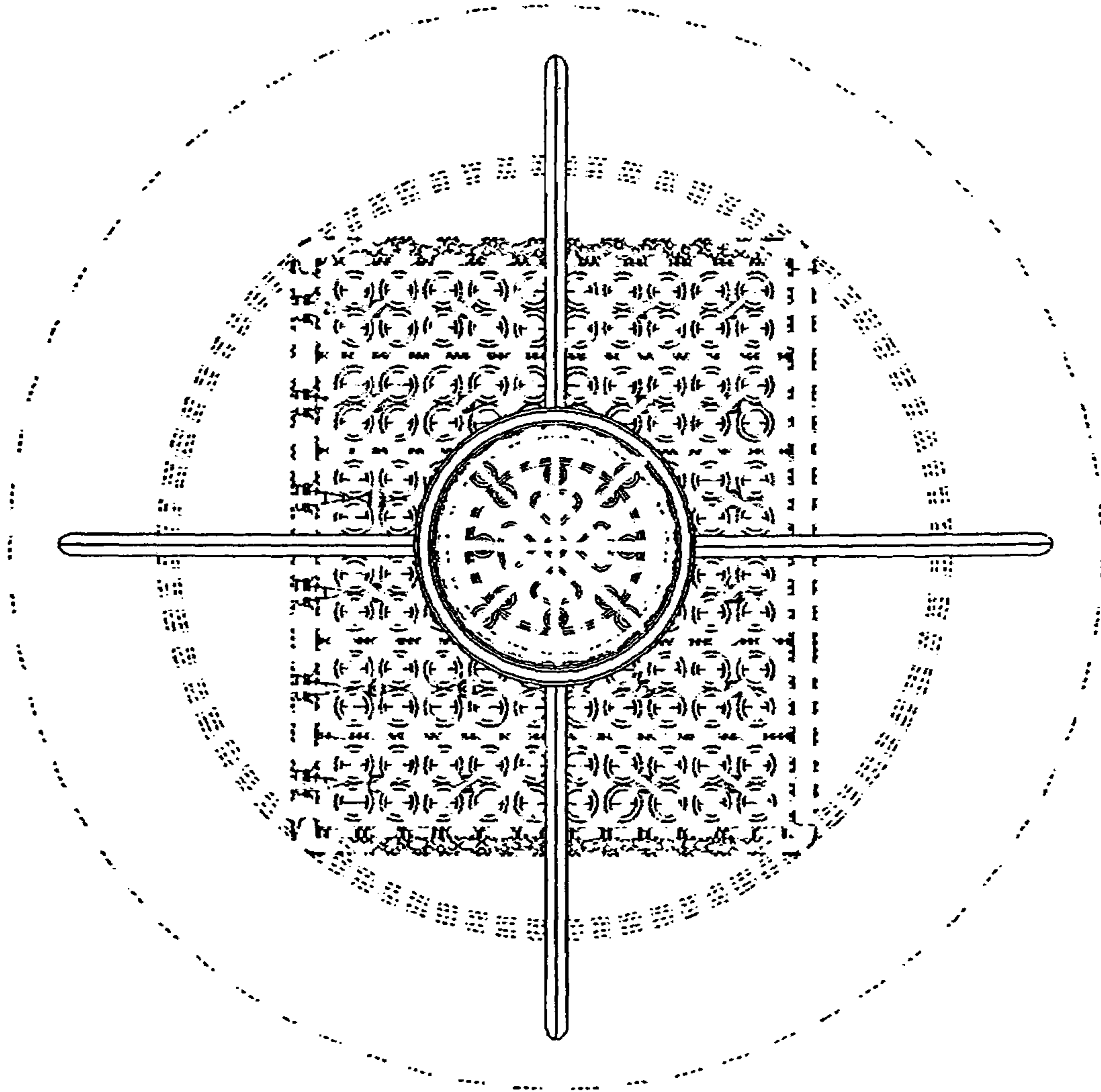


FIG. 5