



US00D592349S

(12) **United States Design Patent**
Maxik et al.

(10) **Patent No.:** **US D592,349 S**

(45) **Date of Patent:** **** May 12, 2009**

(54) **LIGHT**

(75) Inventors: **Fredric S. Maxik**, Indialantic, FL (US);
Addy S. Widjaja, Palm Bay, FL (US)

(73) Assignee: **Lighting Science Group Corporation**,
Satellite Beach, FL (US)

(**) Term: **14 Years**

(21) Appl. No.: **29/307,112**

(22) Filed: **Mar. 31, 2008**

(51) **LOC (9) Cl.** **26-03**

(52) **U.S. Cl.** **D26/76**

(58) **Field of Classification Search** D26/24-28,
D26/37, 67, 71, 74-78, 80, 85, 89, 104, 108,
D26/118, 120-122; 362/132, 145, 147-150,
362/157, 217-225, 228, 260, 262-264, 267,
362/310, 345, 364, 365, 368, 432, 440
See application file for complete search history.

(56) **References Cited**

U.S. PATENT DOCUMENTS

- D127,391 S * 5/1941 Claspy D26/76
- D142,429 S * 9/1945 Lepore D26/78
- D165,390 S * 12/1951 Perry D7/402
- D177,232 S * 3/1956 Harling D26/24
- 3,001,001 A * 9/1961 Bibb 174/71 R

- D192,124 S * 1/1962 Michaud D26/76
- D280,346 S * 8/1985 Aspenwall D26/75
- 5,085,392 A * 2/1992 Perna 248/343
- 5,467,260 A * 11/1995 Aspenwall 362/374
- D486,263 S * 2/2004 Grothe et al. D26/118
- D513,643 S * 1/2006 Vakil et al. D26/76
- D517,235 S * 3/2006 Vakil et al. D26/76
- D543,305 S * 5/2007 Wang D26/60

* cited by examiner

Primary Examiner—T. Chase Nelson
Assistant Examiner—Susan E Krakower

(74) *Attorney, Agent, or Firm*—Cantor Colburn LLP

(57) **CLAIM**

The ornamental design for a light, as shown and described.

DESCRIPTION

FIG. 1 is a perspective view of a light showing my new design;

FIG. 2 is a front view thereof;

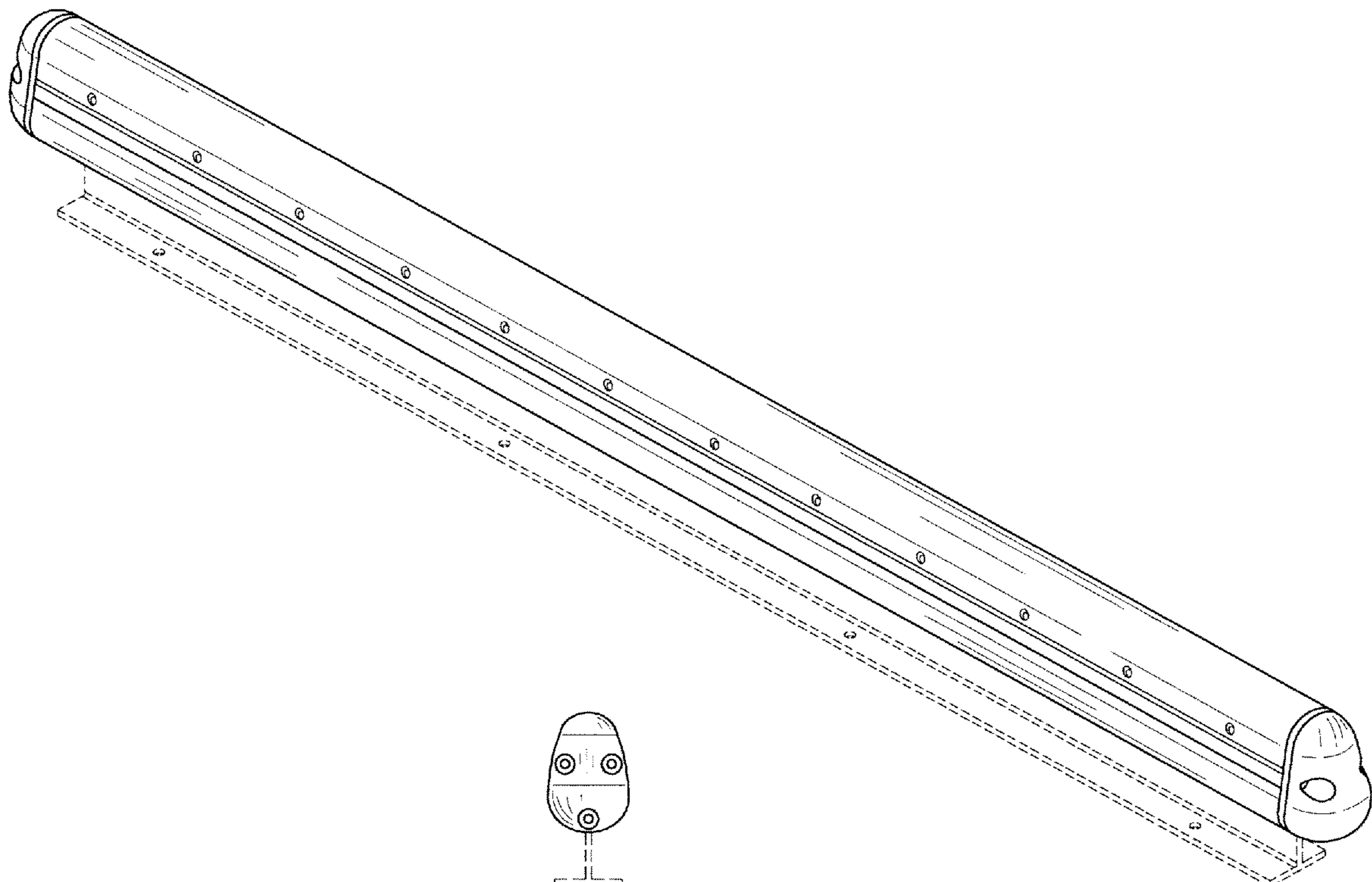
FIG. 3 is a bottom view thereof;

FIG. 4 is a left side view thereof; and,

FIG. 5 is a right side view thereof.

The broken lines illustrate environmental structure and form no part of the claimed design.

1 Claim, 2 Drawing Sheets



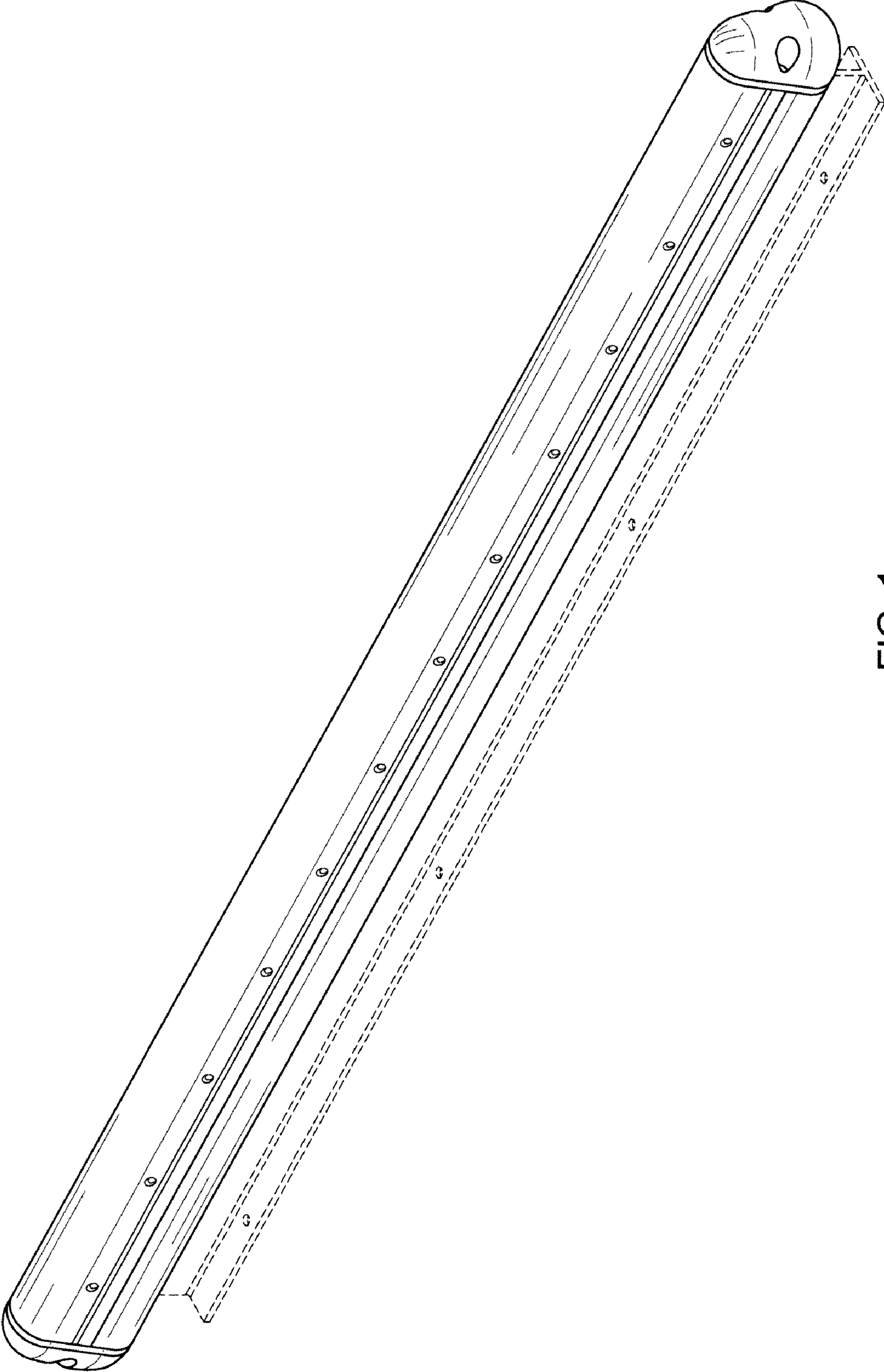


FIG. 1

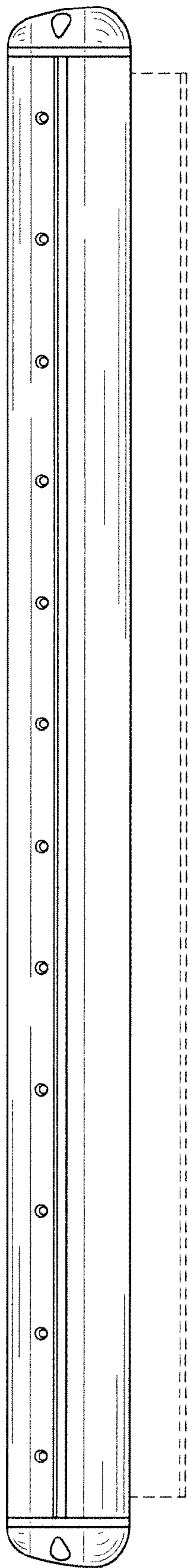


FIG. 2

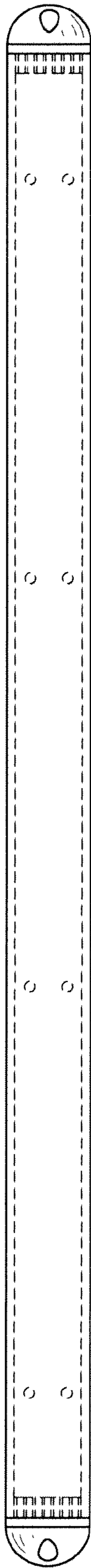


FIG. 3

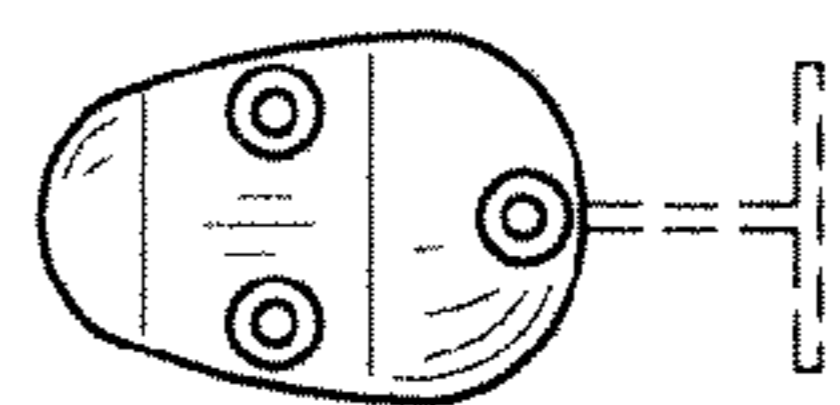


FIG. 4

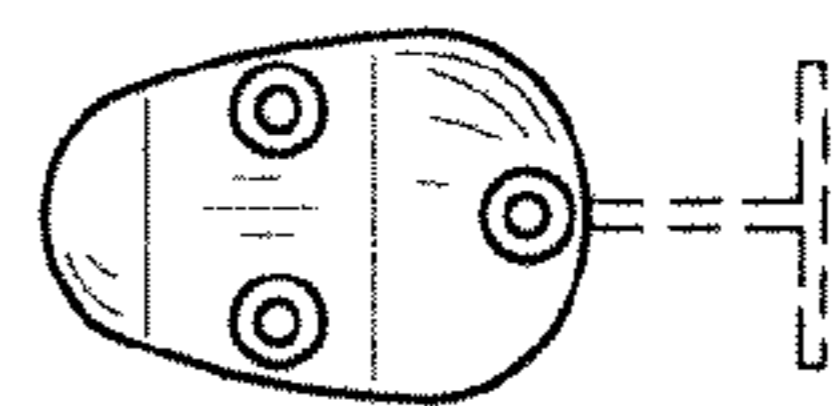


FIG. 5