



US00D592345S

(12) **United States Design Patent**  
**Gill**

(10) **Patent No.:** **US D592,345 S**

(45) **Date of Patent:** **\*\* May 12, 2009**

(54) **LAMP HEAD FOR LED STREETLIGHT**

D571,494 S \* 6/2008 Friedman et al. .... D26/67  
D578,696 S \* 10/2008 Wang et al. .... D26/70  
7,458,706 B1 \* 12/2008 Liu et al. .... 362/373

(75) Inventor: **Jason Jae Gill**, Omaha, NE (US)

(73) Assignee: **Well-Light Inc.**, Seoul (KR)

(\*\*) Term: **14 Years**

(21) Appl. No.: **29/317,326**

(22) Filed: **Apr. 28, 2008**

(30) **Foreign Application Priority Data**

Apr. 4, 2008 (KR) ..... 30-2008-0014527

(51) **LOC (9) Cl.** ..... **26-05**

(52) **U.S. Cl.** ..... **D26/71**

(58) **Field of Classification Search** ..... D26/67-71,  
D26/85, 92; 362/152, 183, 294, 373, 414,  
362/431, 545, 800

See application file for complete search history.

(56) **References Cited**

**U.S. PATENT DOCUMENTS**

D201,700 S \* 7/1965 Stockwell ..... D26/71  
D205,719 S \* 9/1966 Pettengill ..... D26/69  
4,729,076 A \* 3/1988 Masami et al. .... 362/373  
D346,239 S \* 4/1994 Vamberszky et al. .... D26/85  
D377,399 S \* 1/1997 Kay ..... D26/68  
D451,227 S \* 11/2001 Orellana et al. .... D26/67  
D496,751 S \* 9/2004 Lin ..... D26/85  
D563,018 S \* 2/2008 Nankil ..... D26/70

\* cited by examiner

*Primary Examiner*—Clare E Heflin

(74) *Attorney, Agent, or Firm*—Merchant & Gould P.C.

(57) **CLAIM**

The ornamental design for a lamp head for LED streetlight, as shown and described.

**DESCRIPTION**

FIG. 1 is a bottom plan view of the lamp head for LED streetlight showing the new design;

FIG. 2 is a top perspective view thereof;

FIG. 3 is a front elevational view thereof;

FIG. 4 is a left side elevational view thereof;

FIG. 5 is a rear elevational view thereof;

FIG. 6 is a bottom perspective view thereof;

FIG. 7 is a bottom plan view thereof, showing the lens portion removed for illustrative purposes only, and wherein the internal structure of the lamp head is not shown in the other FIGURES for convenience of illustration;

FIG. 8 is a right side elevational view thereof; and,

FIG. 9 is a top plan view thereof.

**1 Claim, 9 Drawing Sheets**

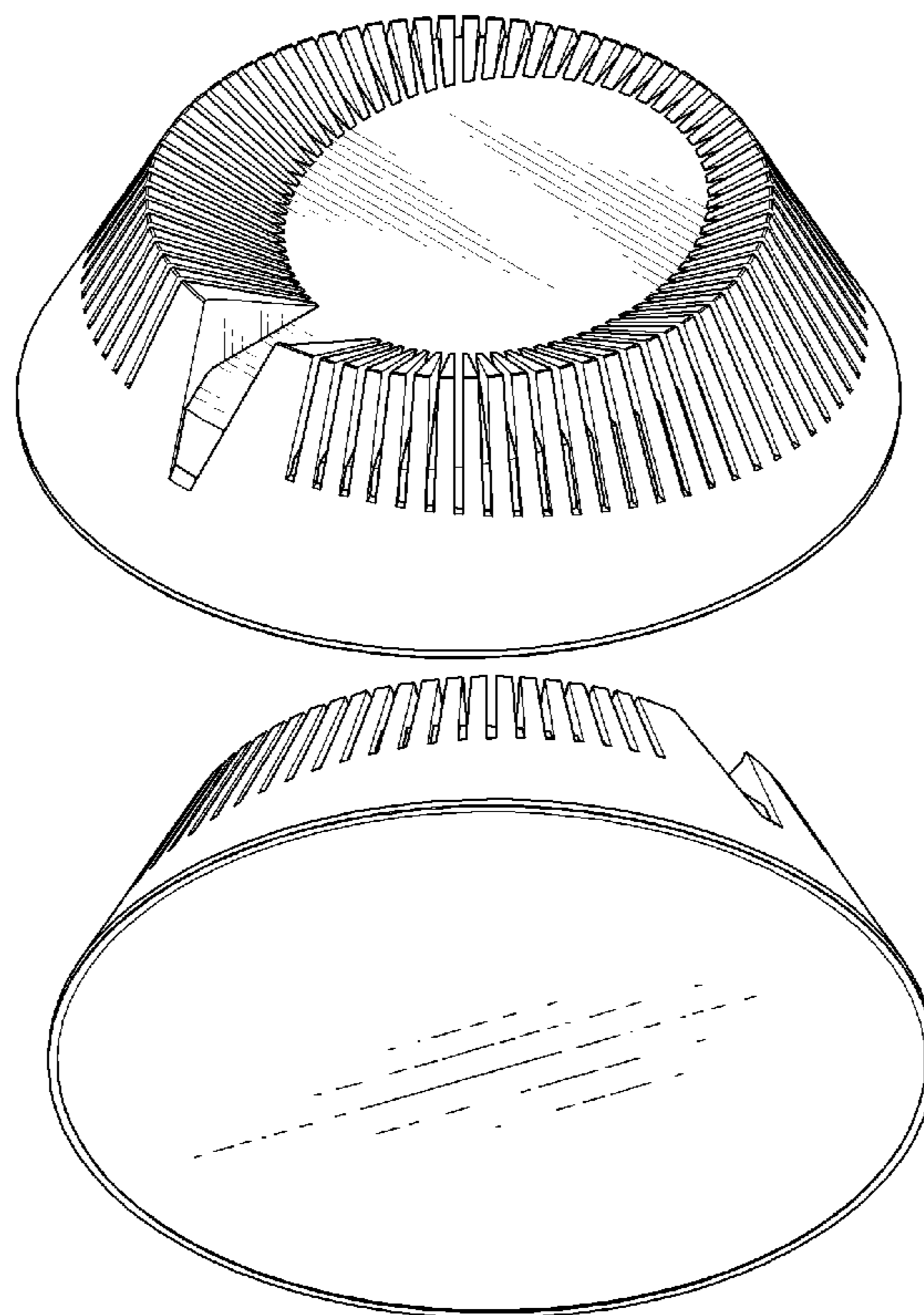


FIG. 1

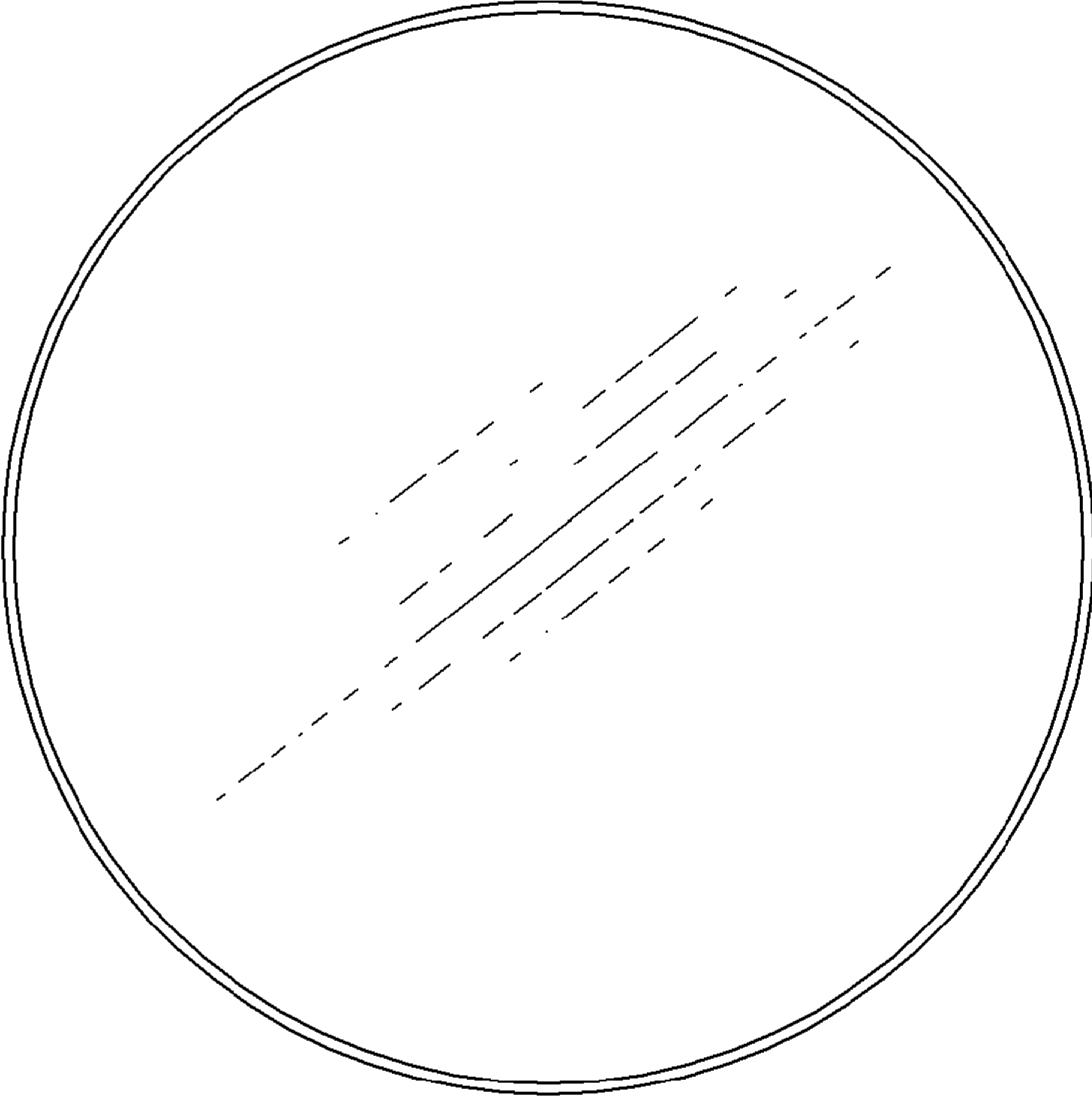


FIG. 2

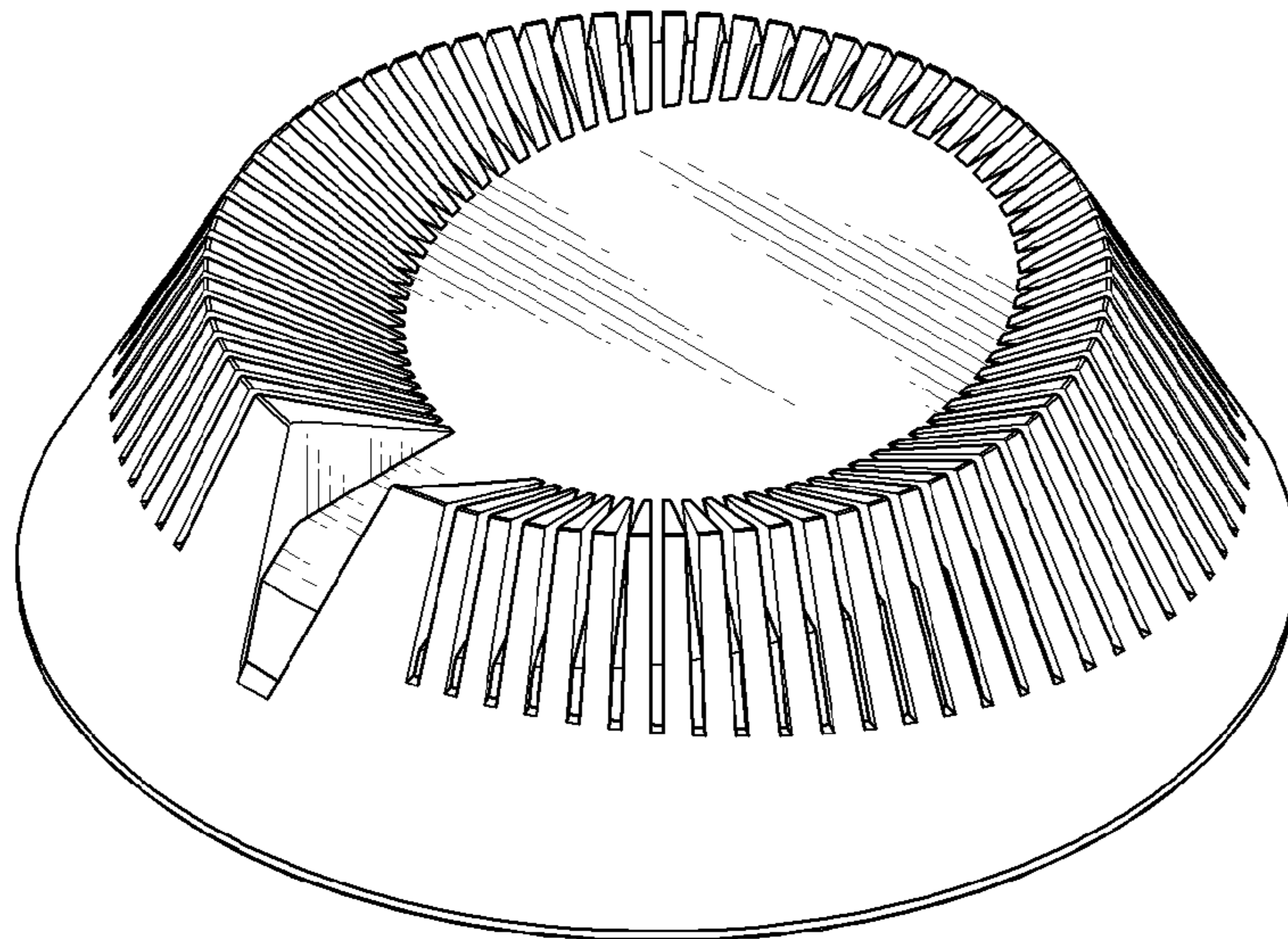


FIG. 3

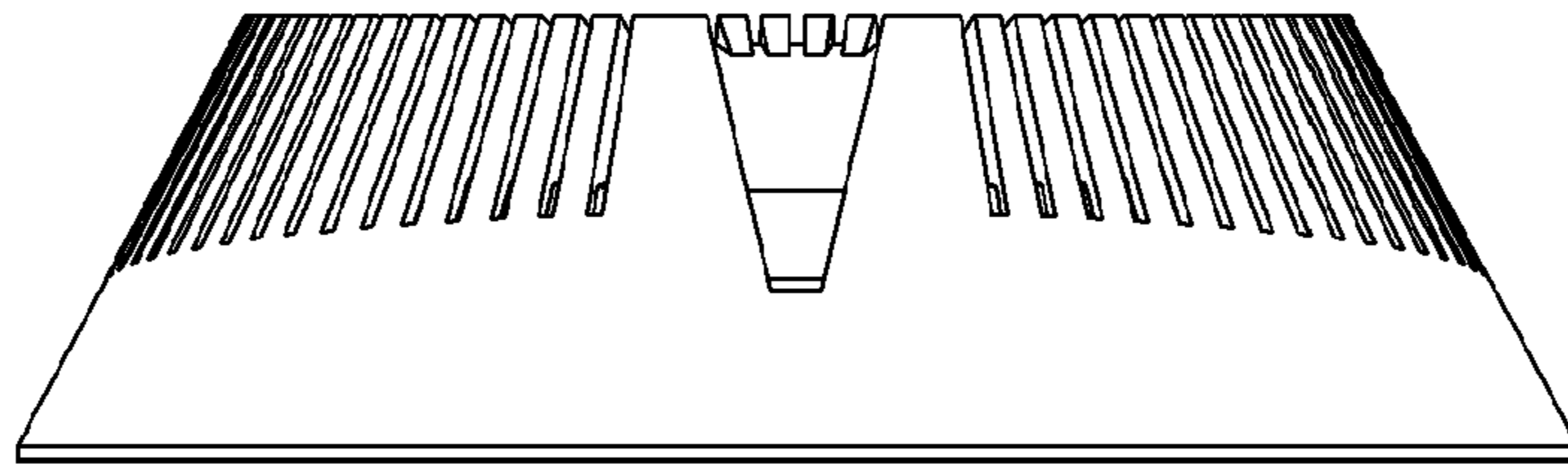


FIG. 4

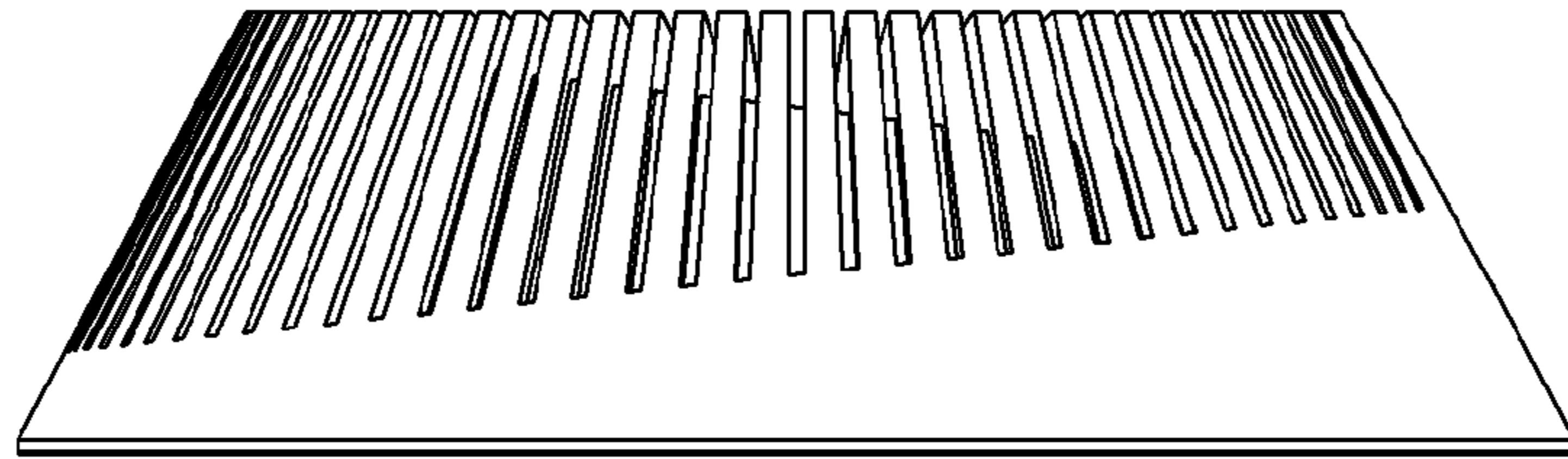


FIG. 5

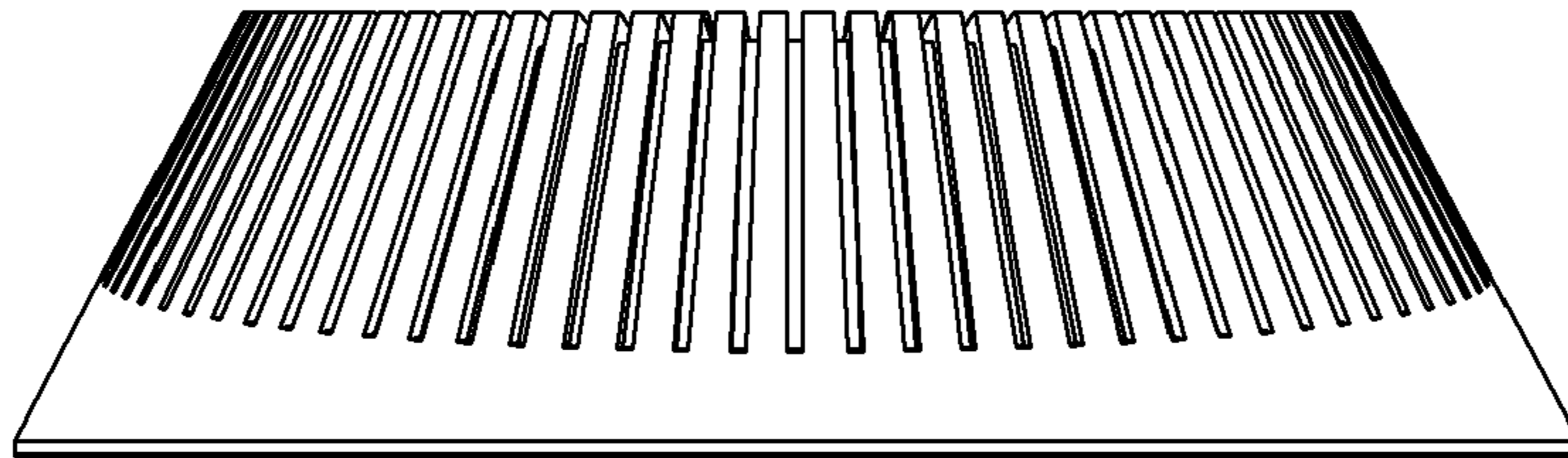


FIG. 6

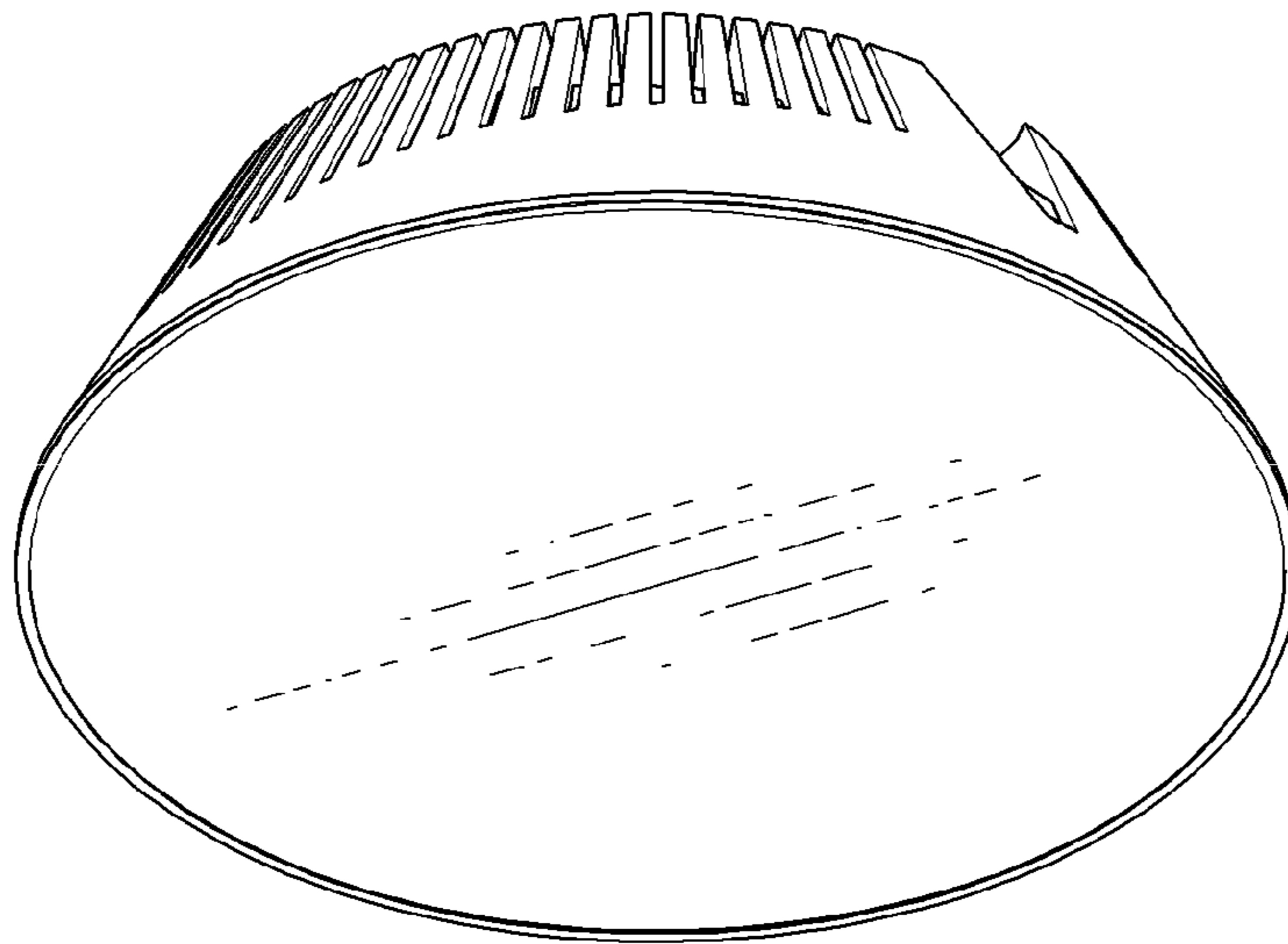




FIG. 7

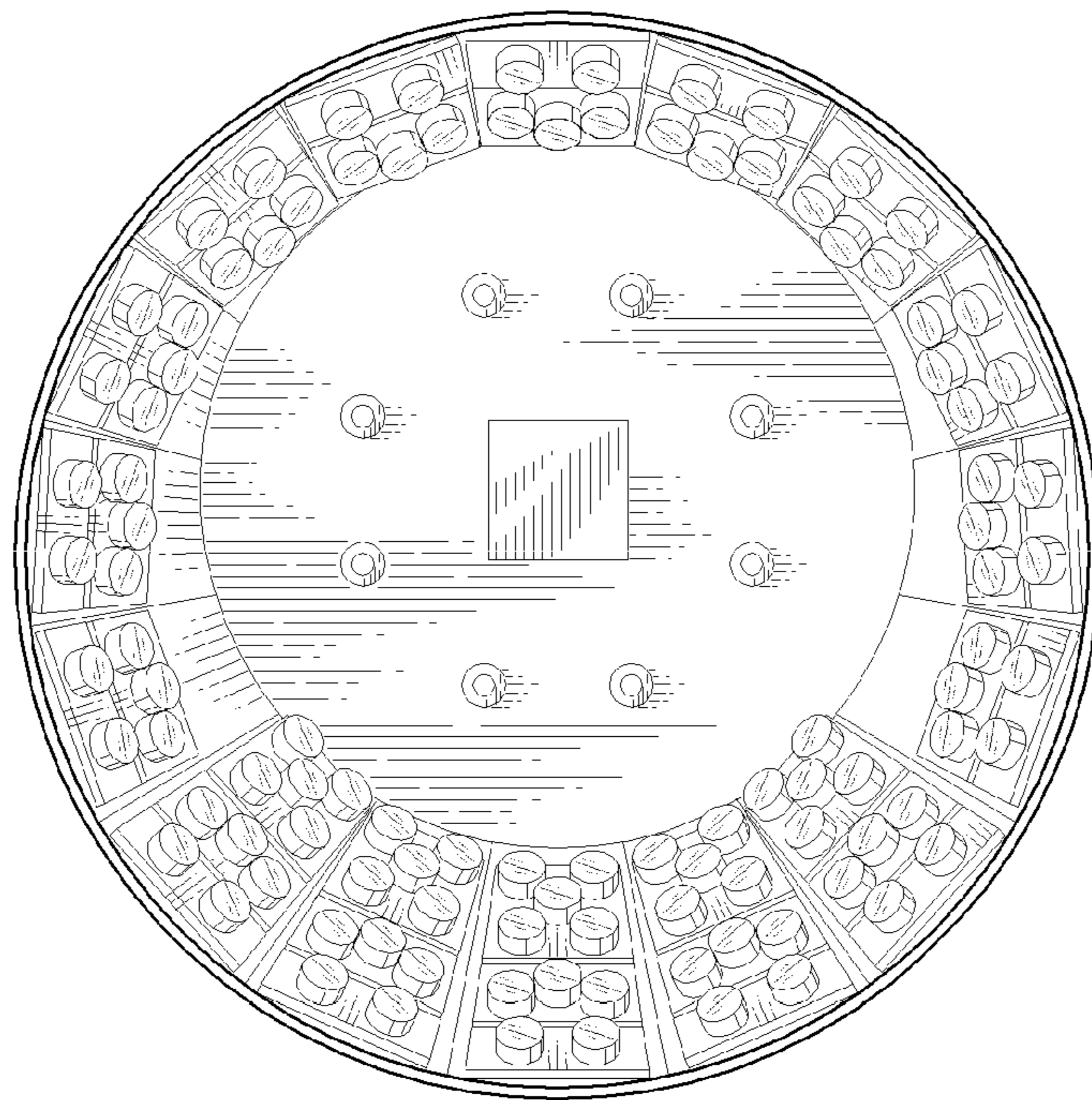




FIG. 8

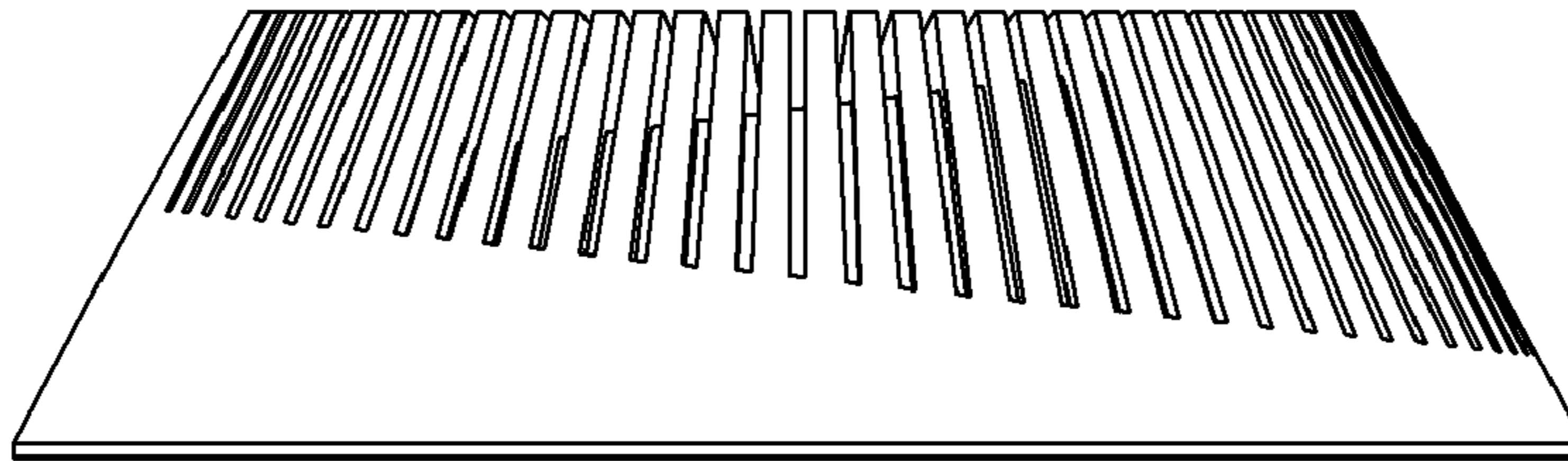


FIG. 9

