



US00D592344S

(12) **United States Design Patent**  
**Wilcox et al.**

(10) **Patent No.:** **US D592,344 S**

(45) **Date of Patent:** **\*\* May 12, 2009**

(54) **LIGHTING FIXTURE WITH CONCENTRIC SENSOR**

(75) Inventors: **Kurt S. Wilcox**, Libertyville, IL (US);  
**Wayne Guillien**, Franksville, WI (US)

(73) Assignee: **Ruud Lighting, Inc.**, Racine, WI (US)

(\*\*) Term: **14 Years**

(21) Appl. No.: **29/318,807**

(22) Filed: **May 28, 2008**

(51) **LOC (9) Cl.** ..... **26-05**

(52) **U.S. Cl.** ..... **D26/67**

(58) **Field of Classification Search** ..... D26/67-71,  
D26/85, 92; 362/152, 183, 294, 373, 414,  
362/431, 545, 800

See application file for complete search history.

(56) **References Cited**

**U.S. PATENT DOCUMENTS**

|                |         |                 |       |         |
|----------------|---------|-----------------|-------|---------|
| D100,811 S *   | 8/1936  | Bick            | ..... | D26/67  |
| D187,433 S *   | 3/1960  | Hammes          | ..... | D26/67  |
| D199,266 S *   | 9/1964  | Izzi            | ..... | D26/67  |
| D201,700 S *   | 7/1965  | Stockwell       | ..... | D26/71  |
| D329,101 S *   | 9/1992  | Landefeld       | ..... | D26/68  |
| D391,658 S *   | 3/1998  | Compton         | ..... | D26/68  |
| D440,002 S     | 4/2001  | Miranda         |       |         |
| D444,584 S     | 7/2001  | Landefeld       |       |         |
| D470,965 S     | 2/2003  | Landefeld       |       |         |
| D482,481 S *   | 11/2003 | Landefeld       | ..... | D26/71  |
| D504,536 S     | 4/2005  | Emory et al.    |       |         |
| 6,945,683 B2 * | 9/2005  | Gross et al.    | ..... | 362/545 |
| D529,218 S     | 9/2006  | Wen             |       |         |
| D529,653 S     | 10/2006 | Galipeau et al. |       |         |
| D553,779 S     | 10/2007 | Butler          |       |         |
| D554,791 S *   | 11/2007 | Galipeau et al. | ..... | D26/67  |
| D556,357 S     | 11/2007 | Butler et al.   |       |         |
| D563,018 S *   | 2/2008  | Nankil          | ..... | D26/70  |
| D577,847 S *   | 9/2008  | Ruud et al.     | ..... | D26/71  |

**OTHER PUBLICATIONS**

Pages from Acuity Brands Lighting website. "Eurotique." Date: Copyright 2007. 10 pages.

Pages from www.bega-us.com website. "Bega." Date: Copyright 2005. 4 pages.

Pages from www.aal.net website. "Largent." Date: Copyright 2005, 13 pages.

Specification sheets from www.aal.net website. "Largent." Copyright 2005, 3 pages.

Excerpts from www.dewken.com website. Date: undated, 2 pages.

\* cited by examiner

*Primary Examiner*—Clare E Heflin

(74) *Attorney, Agent, or Firm*—Jansson Shupe & Munger Ltd.

(57) **CLAIM**

The ornamental design for a lighting fixture with concentric sensor, as shown and described.

**DESCRIPTION**

FIG. 1 is a perspective view from above of a lighting fixture with concentric sensor showing the new design with the support post and details on the top surface of the fixture shown in phantom lines;

FIG. 2 is a perspective view from below of the lighting fixture with concentric sensor of FIG. 1, with surface details on the underside of the top portion of the fixture shown in phantom lines;

FIG. 3 is a front elevation of the lighting fixture with concentric sensor of FIG. 1;

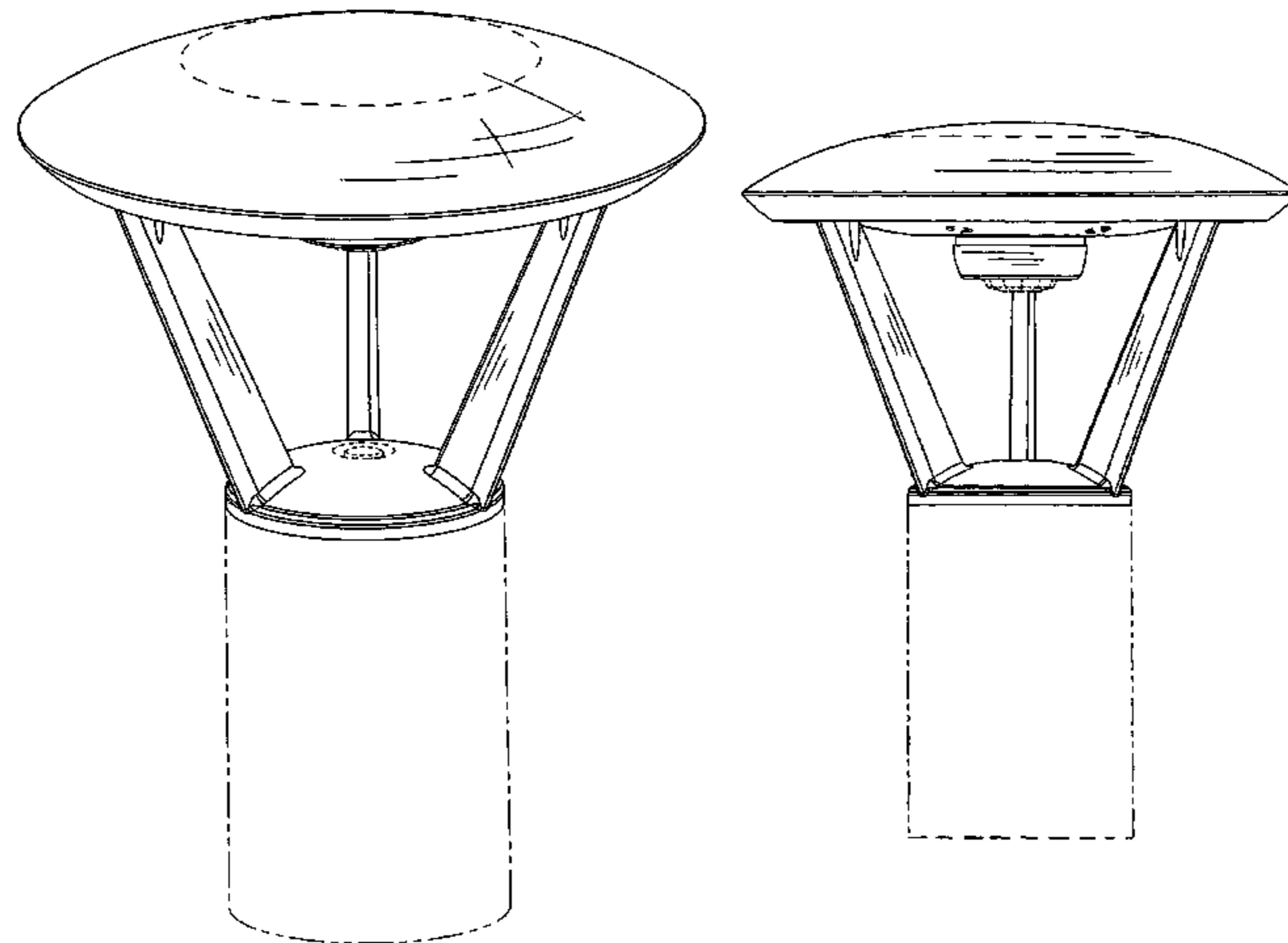
FIG. 4 is a rear elevation of the lighting fixture with concentric sensor of FIG. 1;

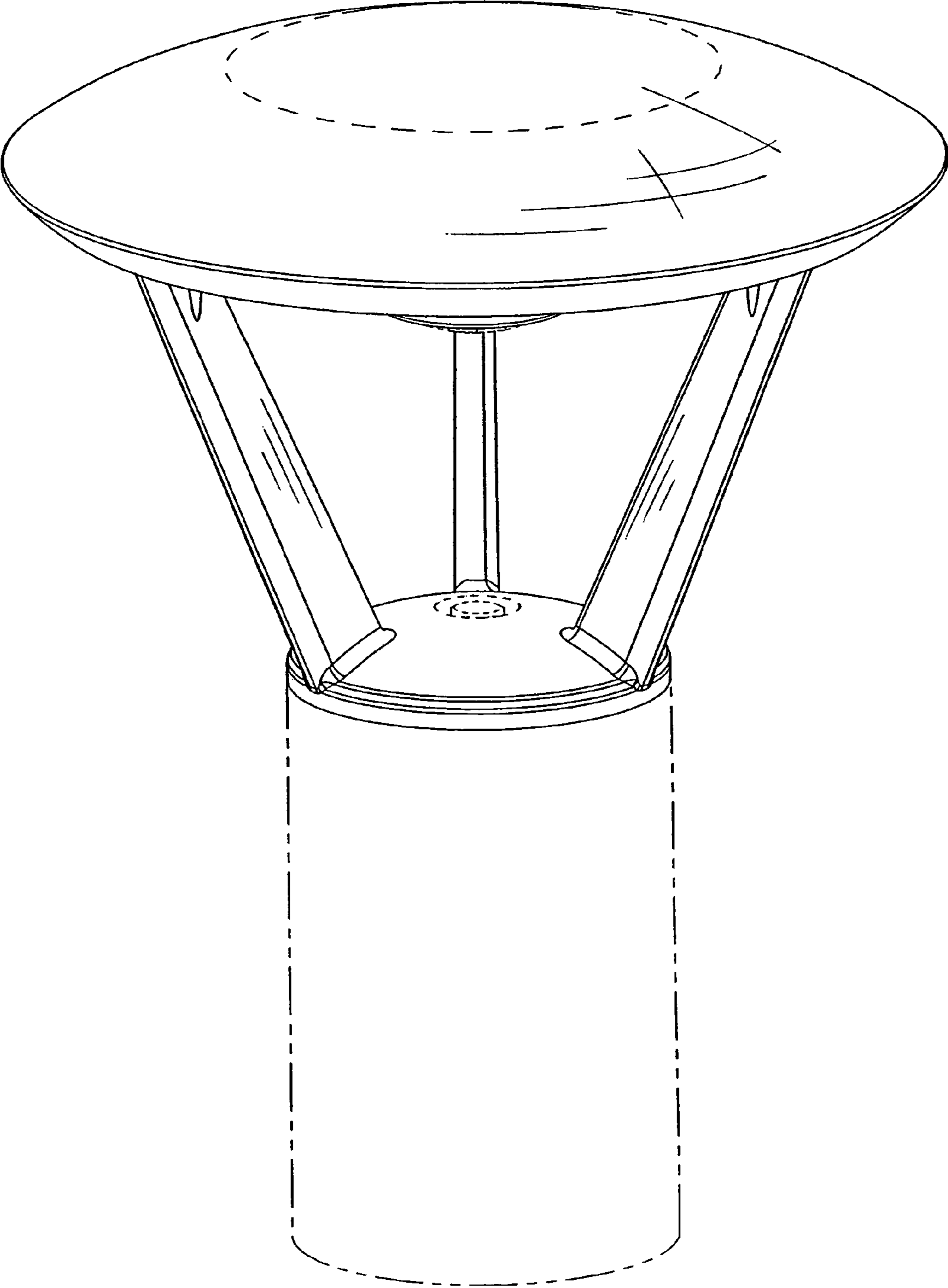
FIG. 5 is a right-side elevation of the lighting fixture with concentric sensor of FIG. 1, the left-side elevation being a mirror image thereof; and,

FIG. 6 is a bottom plan view of the lighting fixture with concentric sensor of FIG. 1.

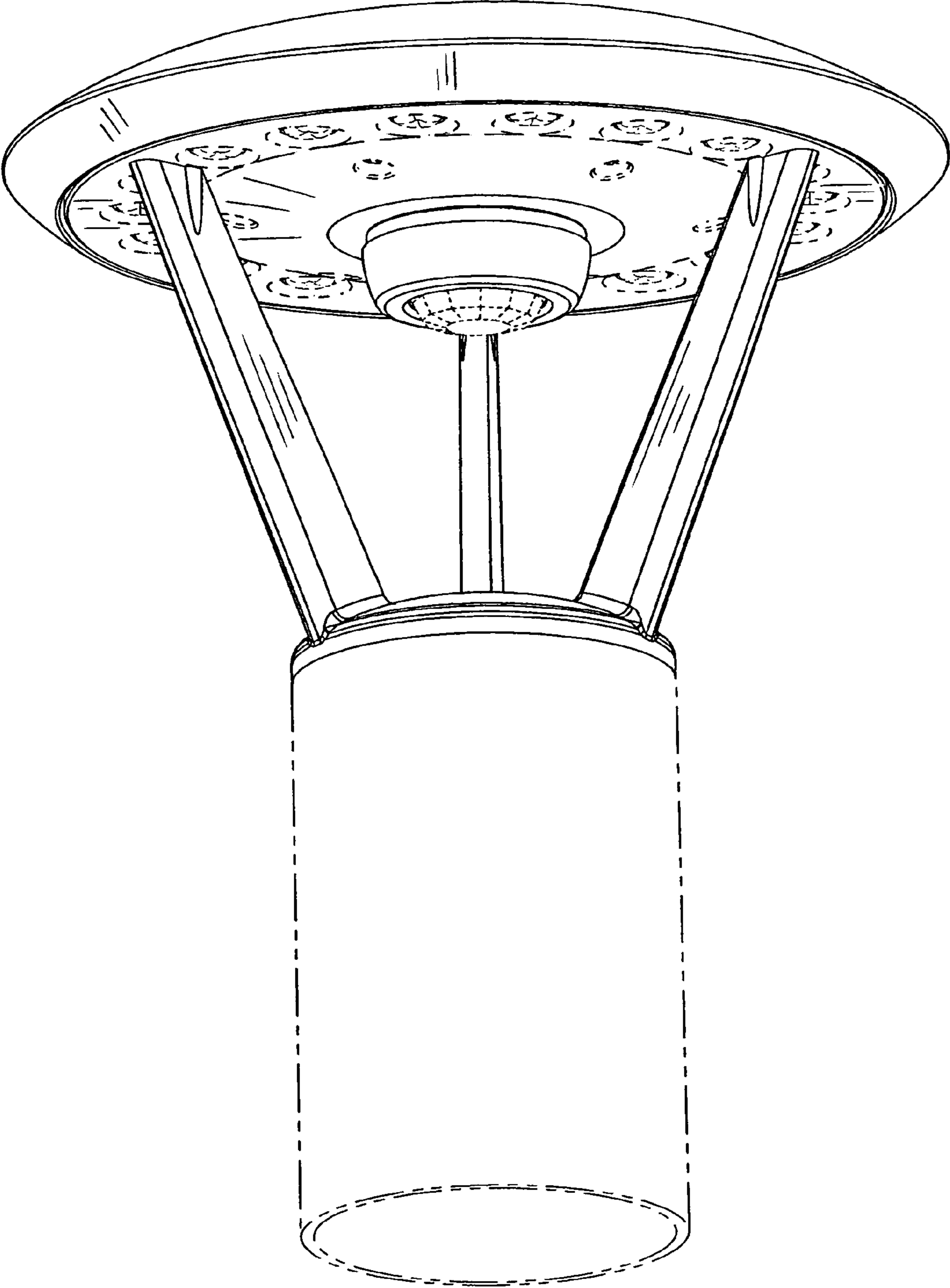
The structures shown in phantom lines are provided for illustrative purposes only and form no part of the claimed design.

**1 Claim, 6 Drawing Sheets**

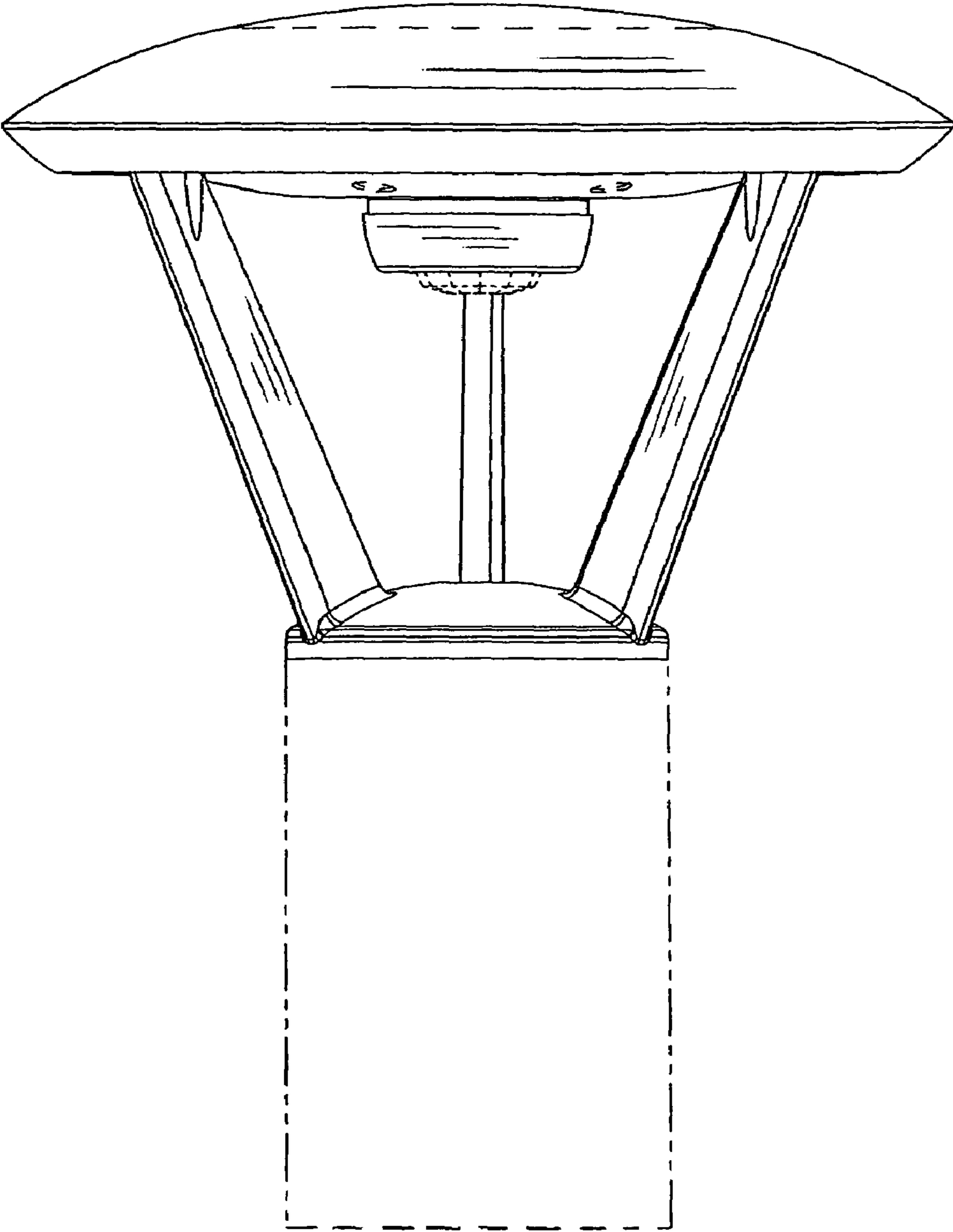




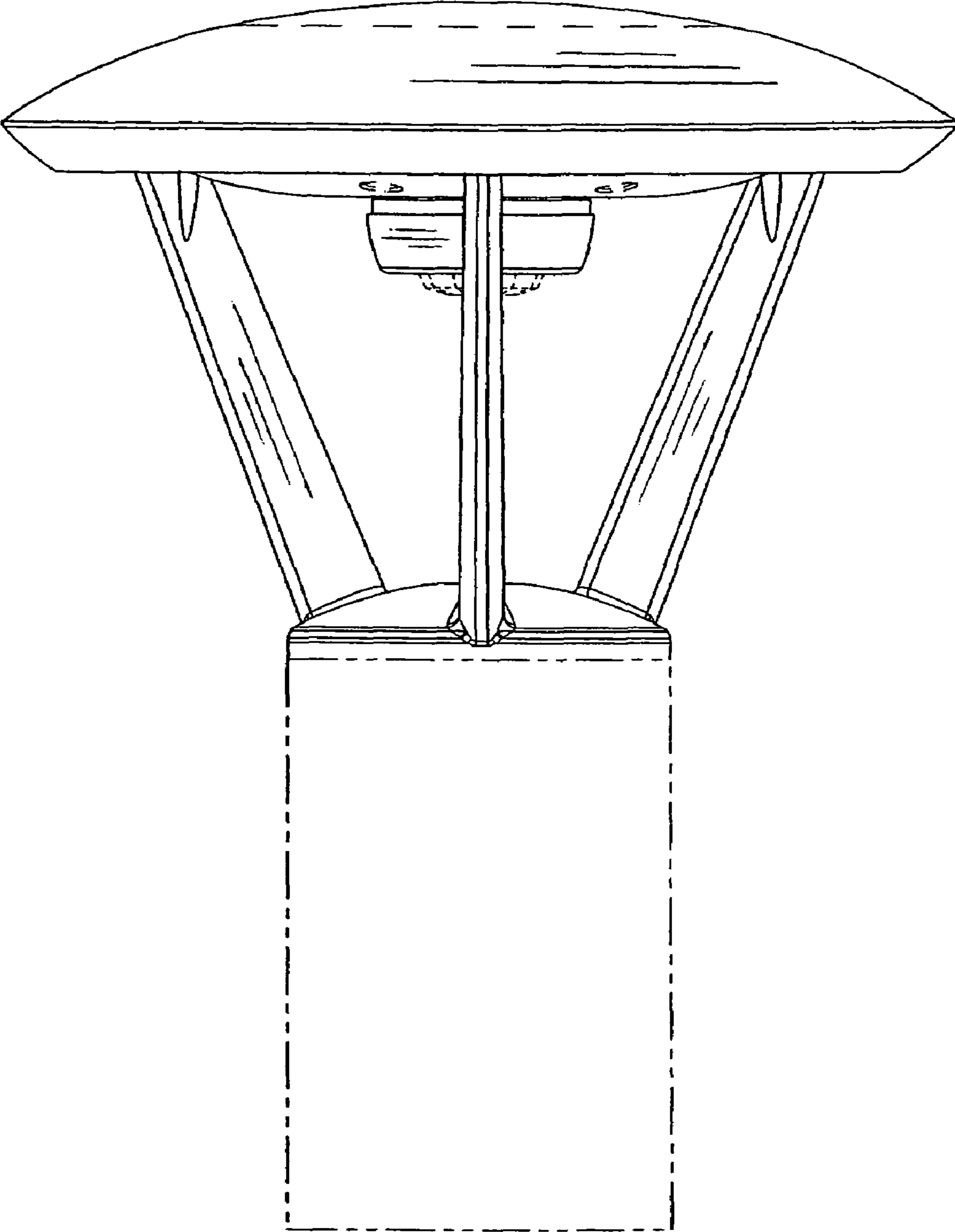
**FIG. 1**



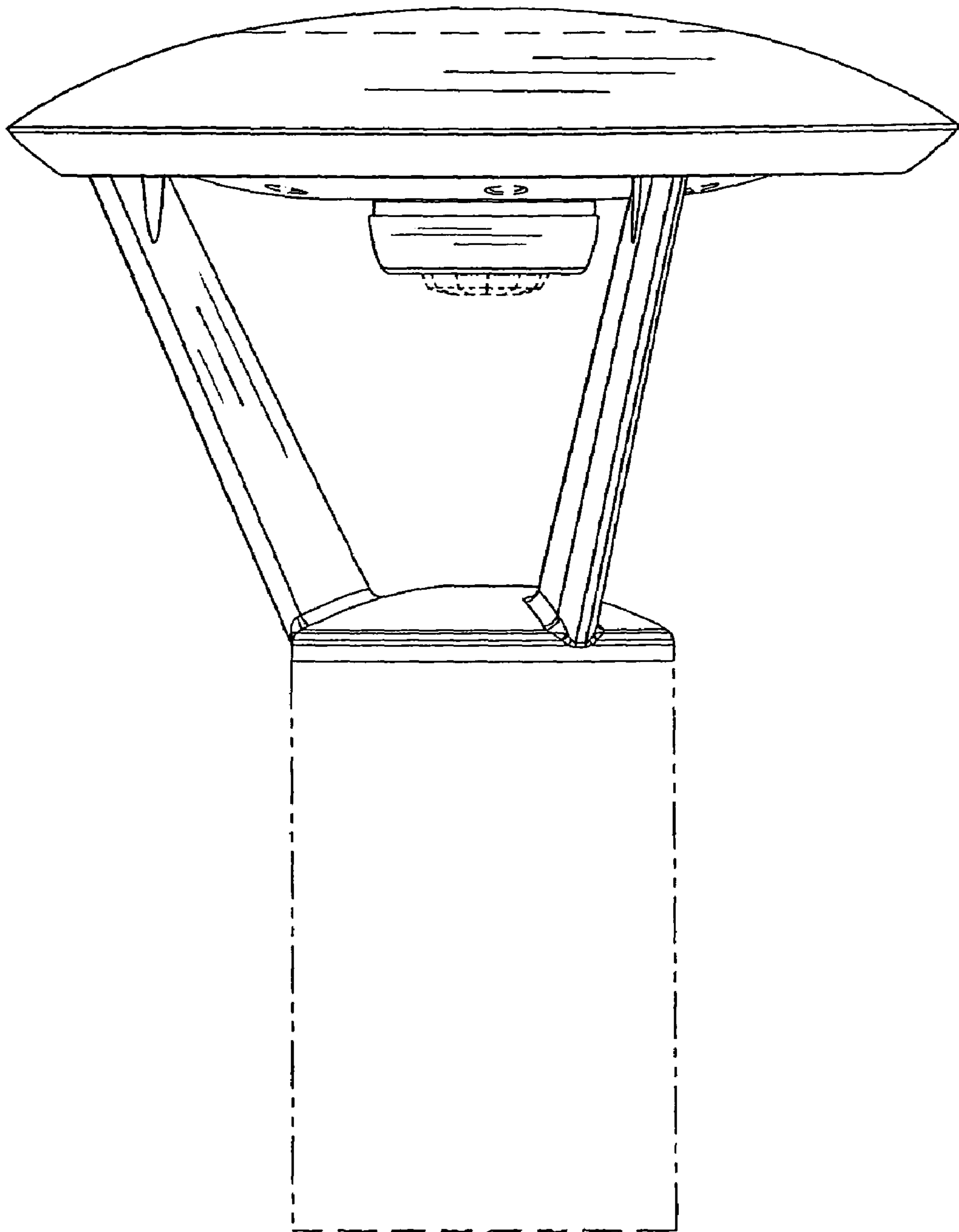
**FIG. 2**



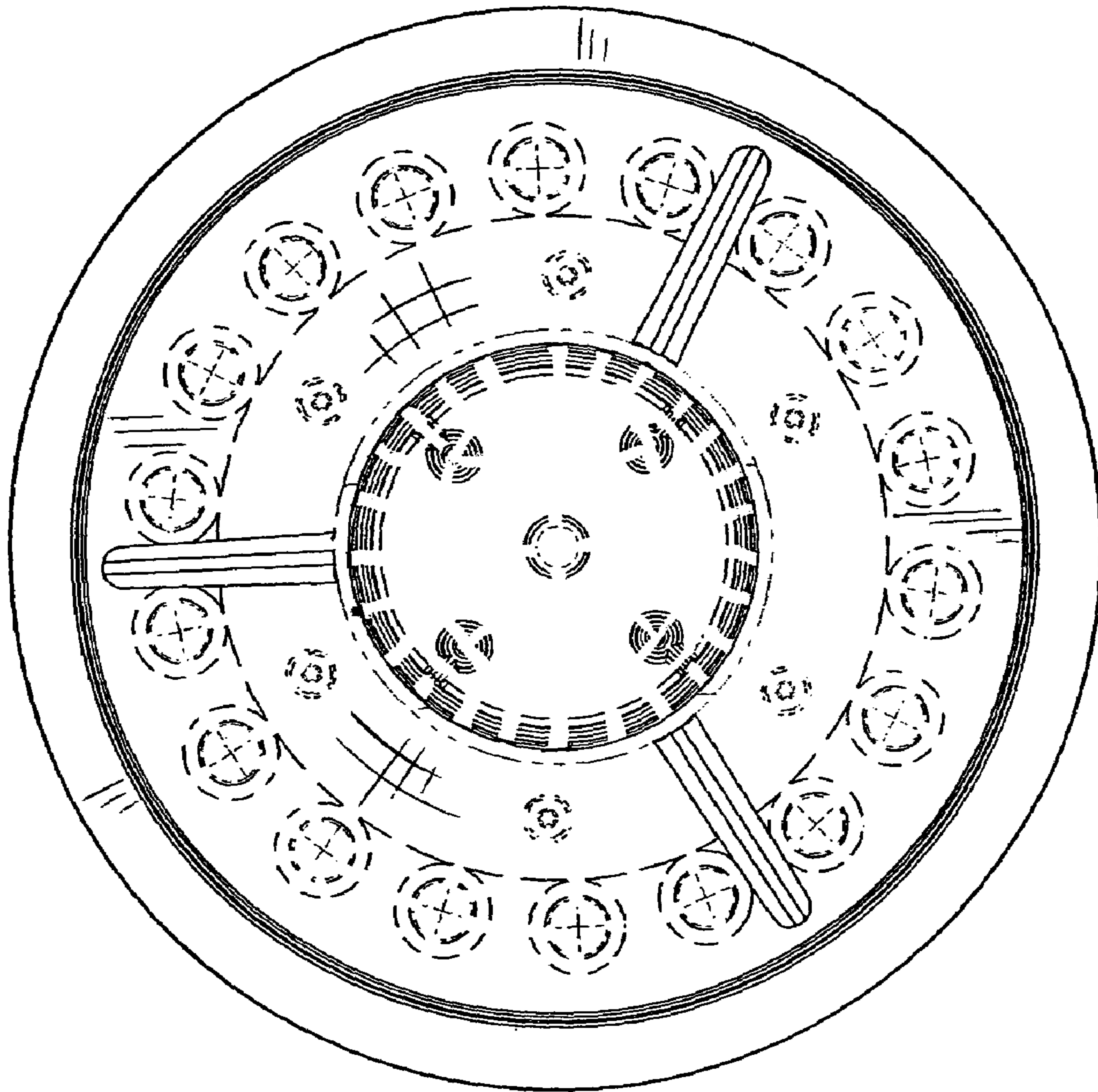
**FIG. 3**



**FIG. 4**



**FIG. 5**



**FIG. 6**