

US00D592343S

(12) **United States Design Patent**
Wilcox et al.

(10) **Patent No.:** **US D592,343 S**

(45) **Date of Patent:** **** May 12, 2009**

(54) **LIGHTING FIXTURE**

(75) Inventors: **Kurt S. Wilcox**, Libertyville, IL (US);
Wayne Guillien, Franksville, WI (US)

(73) Assignee: **Ruud Lighting, Inc.**, Racine, WI (US)

(**) Term: **14 Years**

(21) Appl. No.: **29/318,242**

(22) Filed: **May 15, 2008**

(51) **LOC (9) Cl.** **26-05**

(52) **U.S. Cl.** **D26/67**

(58) **Field of Classification Search** D26/67-71,
D26/85, 92; 362/152, 183, 294, 373, 414,
362/431, 545, 800

See application file for complete search history.

(56) **References Cited**

U.S. PATENT DOCUMENTS

D100,811 S *	8/1936	Bick	D26/67
D187,433 S *	3/1960	Hammes	D26/67
D199,266 S *	9/1964	Izzi	D26/67
D201,700 S *	7/1965	Stockwell	D26/71
D329,101 S *	9/1992	Landefeld	D26/68
D391,658 S *	3/1998	Compton	D26/68
D440,002 S	4/2001	Miranda		
D444,584 S	7/2001	Landefeld		
D470,965 S	2/2003	Landefeld		
D482,481 S *	11/2003	Landefeld	D26/71
D504,536 S	4/2005	Emory et al.		
6,945,683 B2 *	9/2005	Gross et al.	362/545
D529,218 S	9/2006	Wen		
D529,653 S	10/2006	Galipeau et al.		
D553,779 S	10/2007	Butler		
D554,791 S *	11/2007	Galipeau et al.	D26/67
D556,357 S	11/2007	Butler et al.		
D563,018 S *	2/2008	Nankil	D26/70

D577,847 S * 9/2008 Ruud et al. D26/71

OTHER PUBLICATIONS

Pages from Acuity Brands Lighting website. "Eurotique." Date: Copyright 2007. 10 pages.

Pages from www.bega-us.com website. "Bega." Date: Copyright 2005. 4 pages.

Pages from www.aal.net website. "Largent." Date: Copyright 2005. 13 pages.

Specification sheets from www.aal.net website. "Largent." Copyright 2005. 3 pages.

* cited by examiner

Primary Examiner—Clare E Heflin

(74) *Attorney, Agent, or Firm*—Jansson Shupe & Munger Ltd.

(57) **CLAIM**

The ornamental design for a lighting fixture, as shown and described.

DESCRIPTION

FIG. 1 is a perspective view from above of a lighting fixture showing the new design with the support post and details on the top surface of the fixture shown in phantom lines;

FIG. 2 is a perspective view from below of the lighting fixture of FIG. 1, with the surface details on the underside of the top portion of the fixture shown in phantom lines;

FIG. 3 is a front elevation of the lighting fixture of FIG. 1;

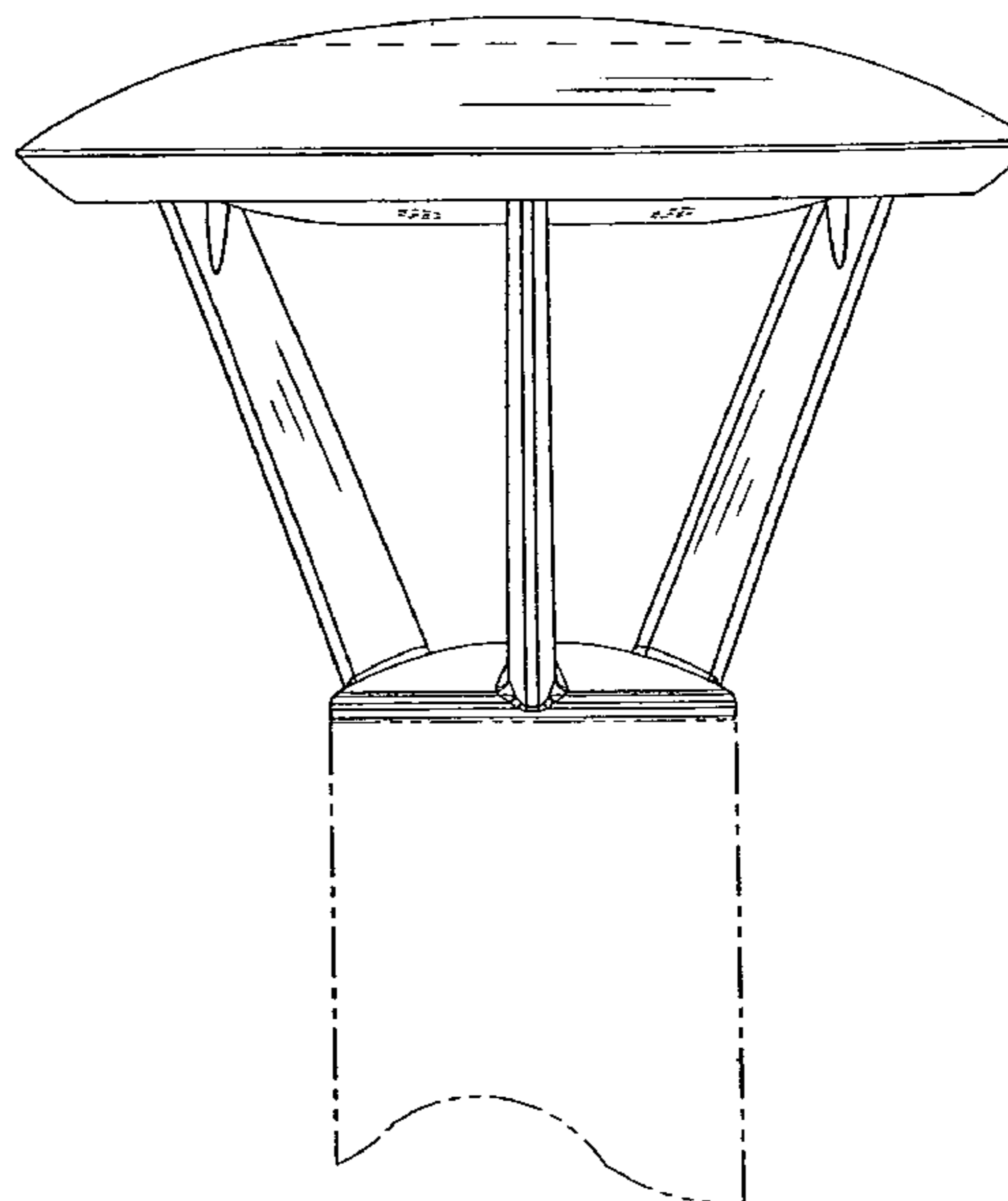
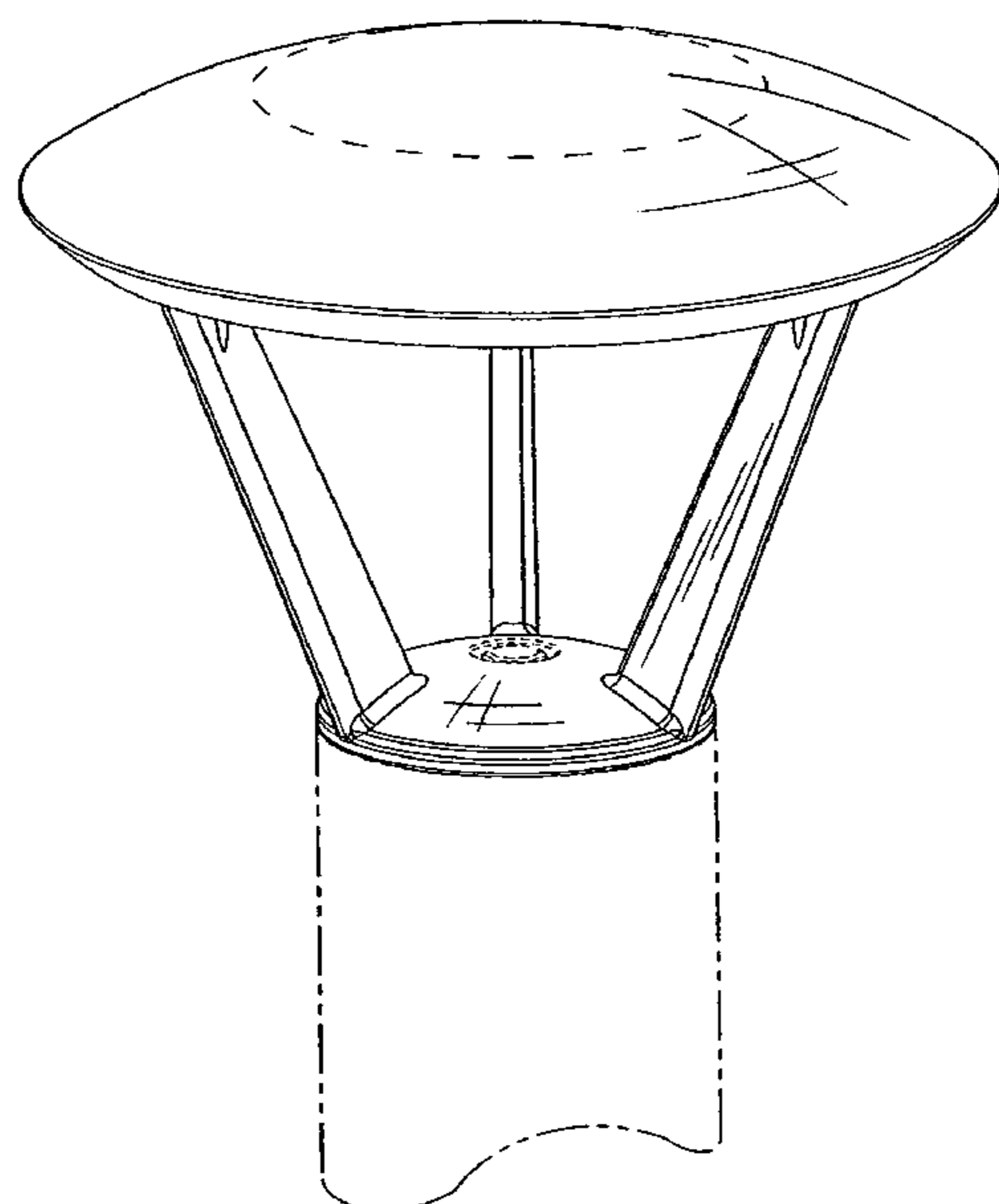
FIG. 4 is a rear elevation of the lighting fixture of FIG. 1;

FIG. 5 is a right-side elevation of the lighting fixture of FIG. 1, the left-side elevation being a mirror image thereof; and,

FIG. 6 is a bottom plan view of the lighting fixture of FIG. 1.

The structures shown in phantom lines are provided for illustrative purposes only and form no part of the claimed design.

1 Claim, 6 Drawing Sheets



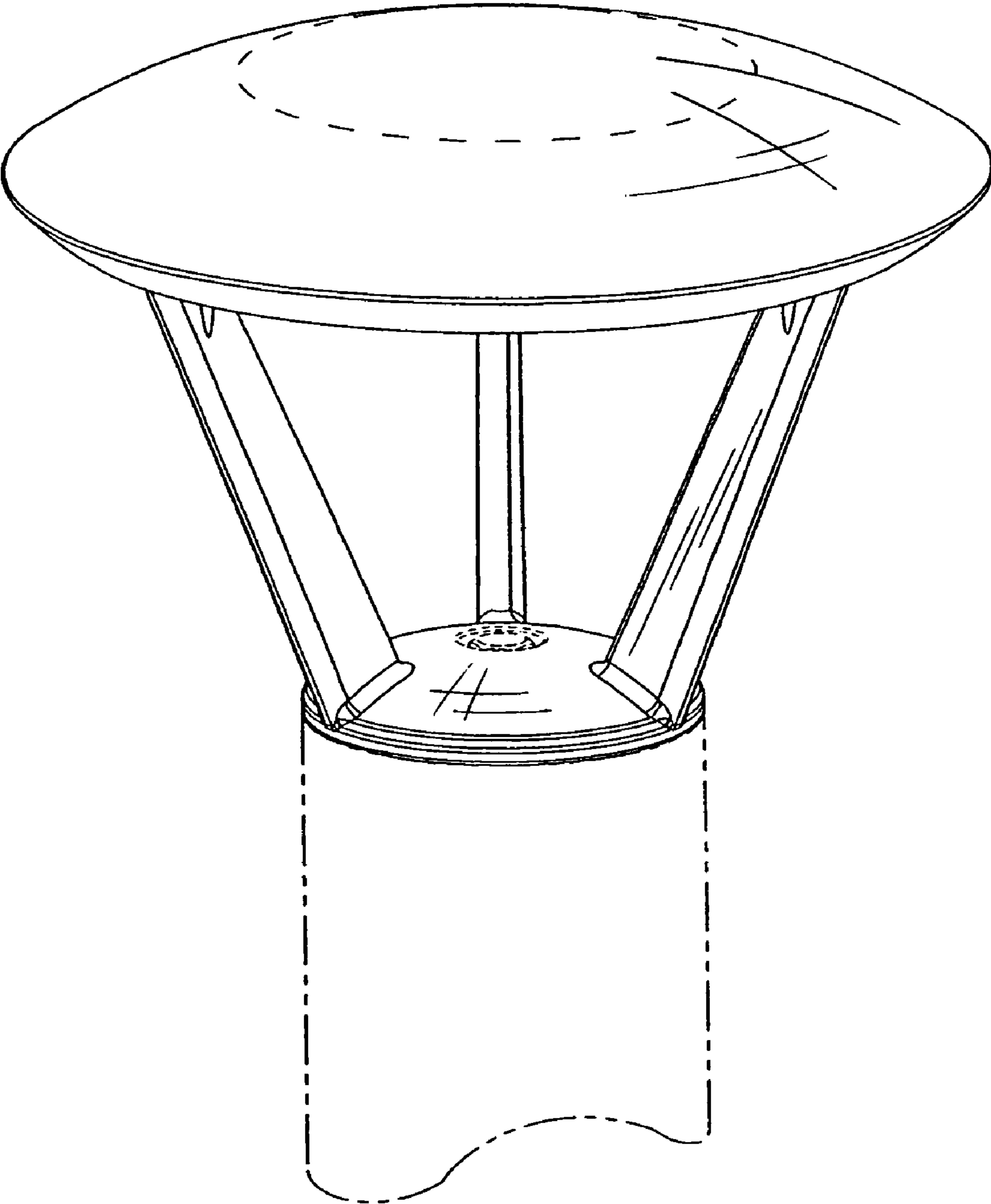


FIG. 1

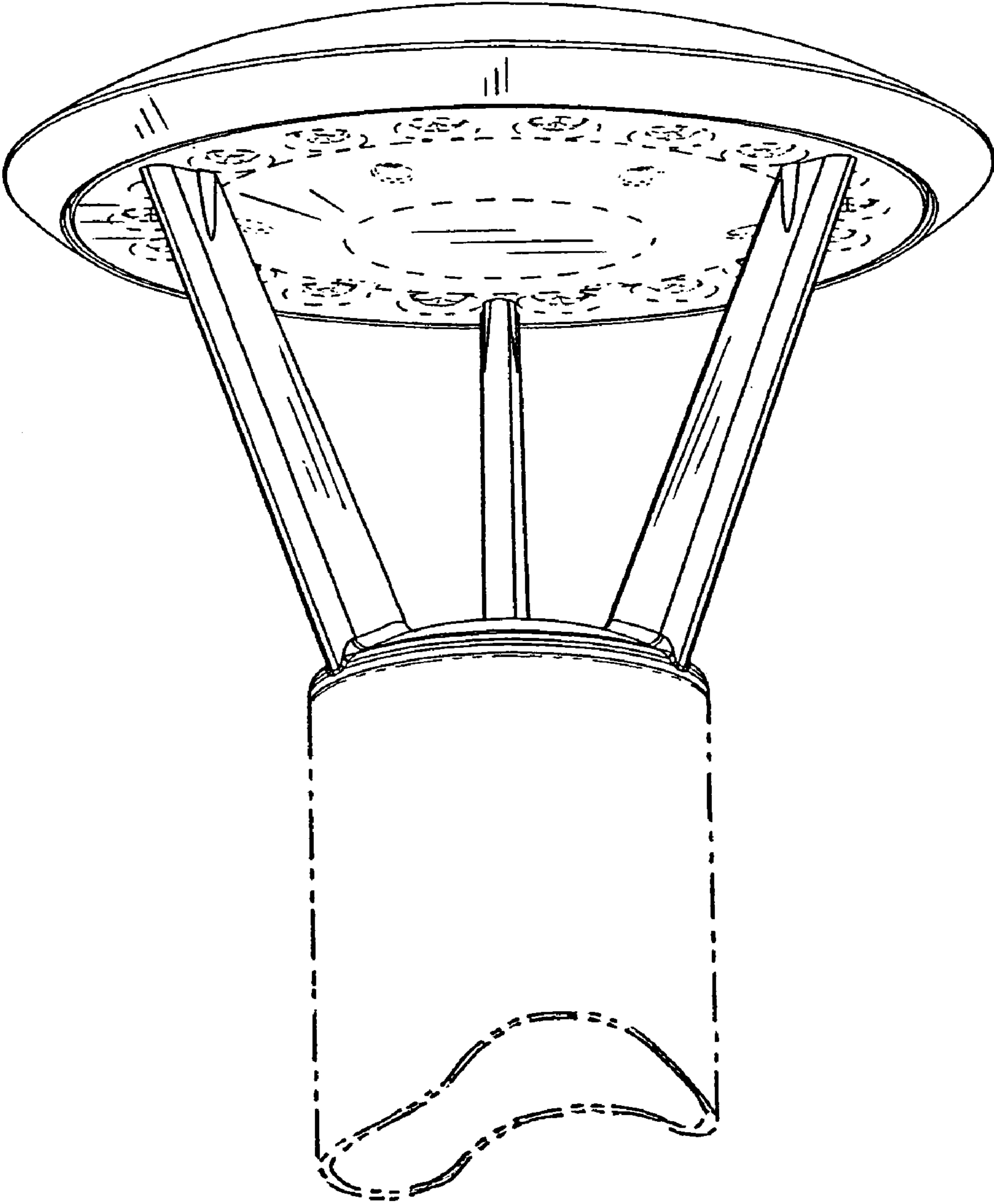


FIG. 2

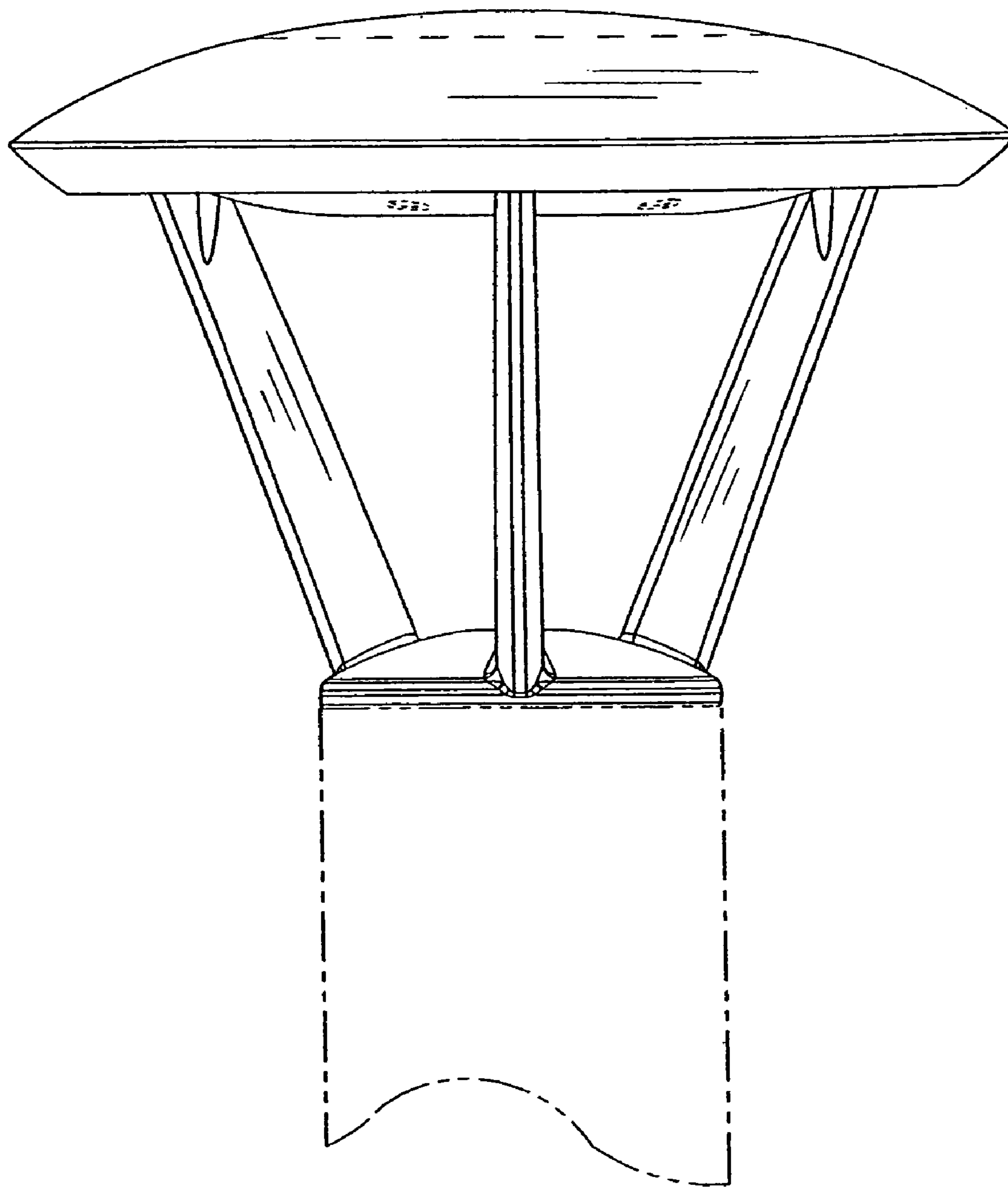


FIG. 3

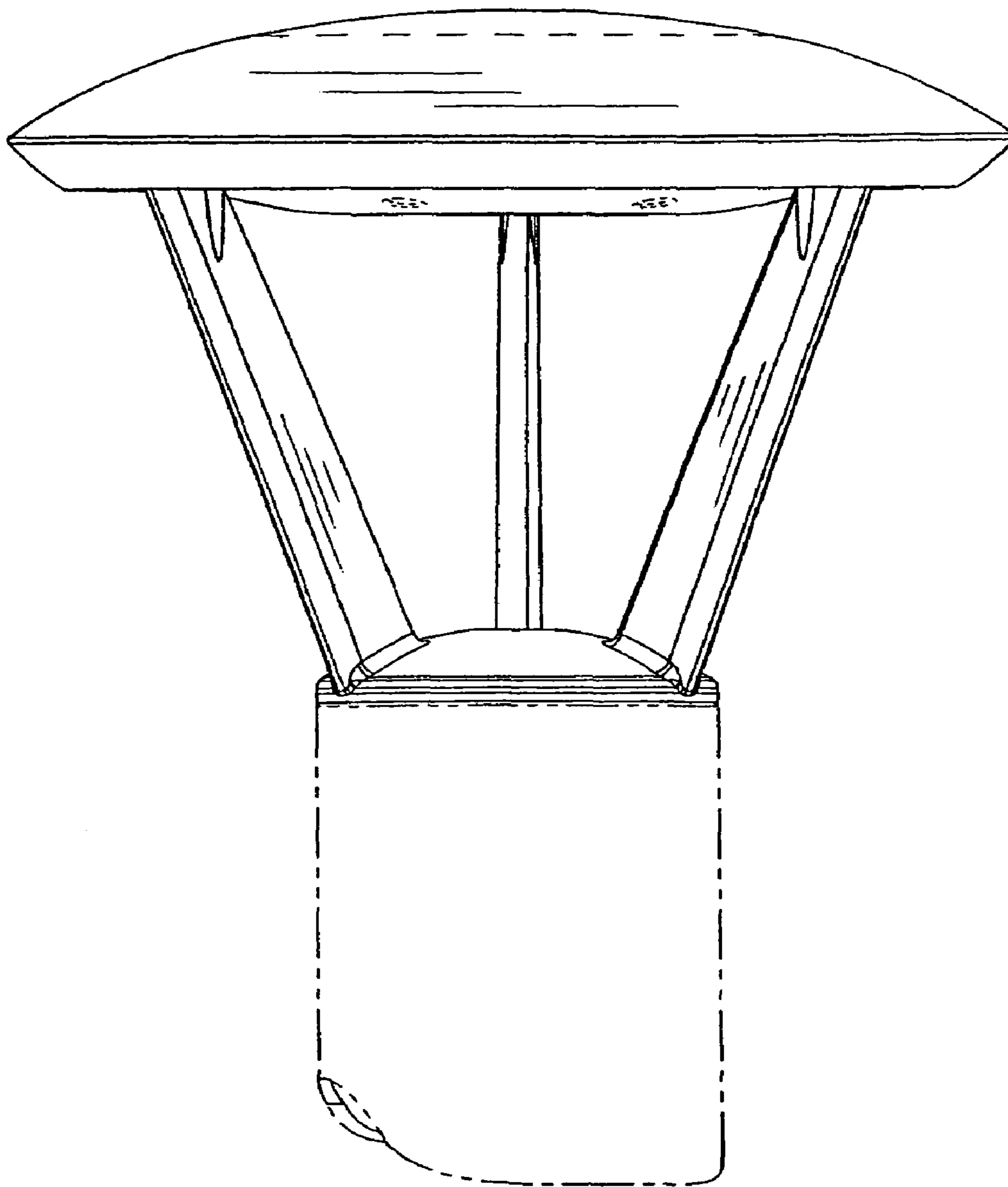


FIG. 4

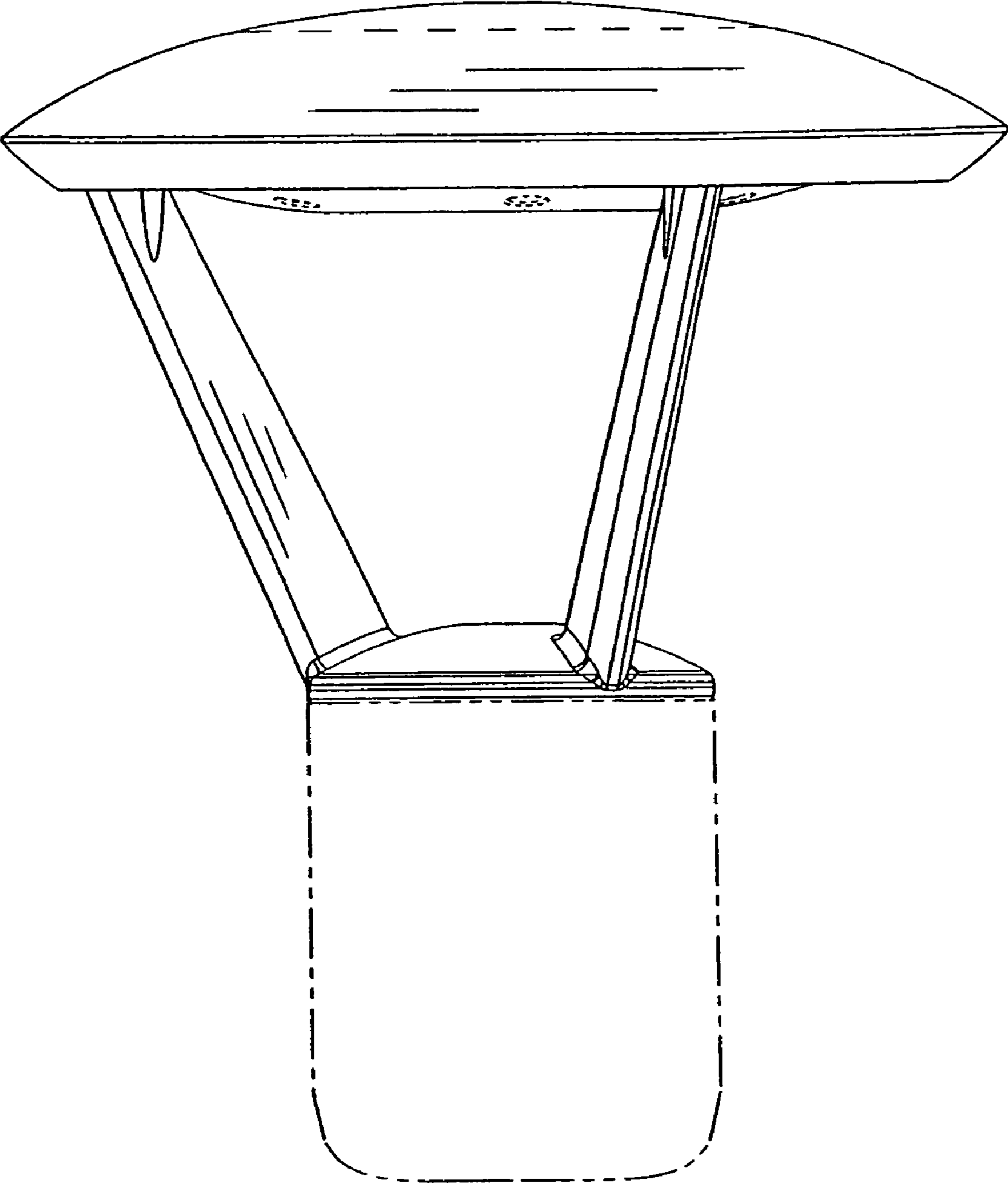


FIG. 5

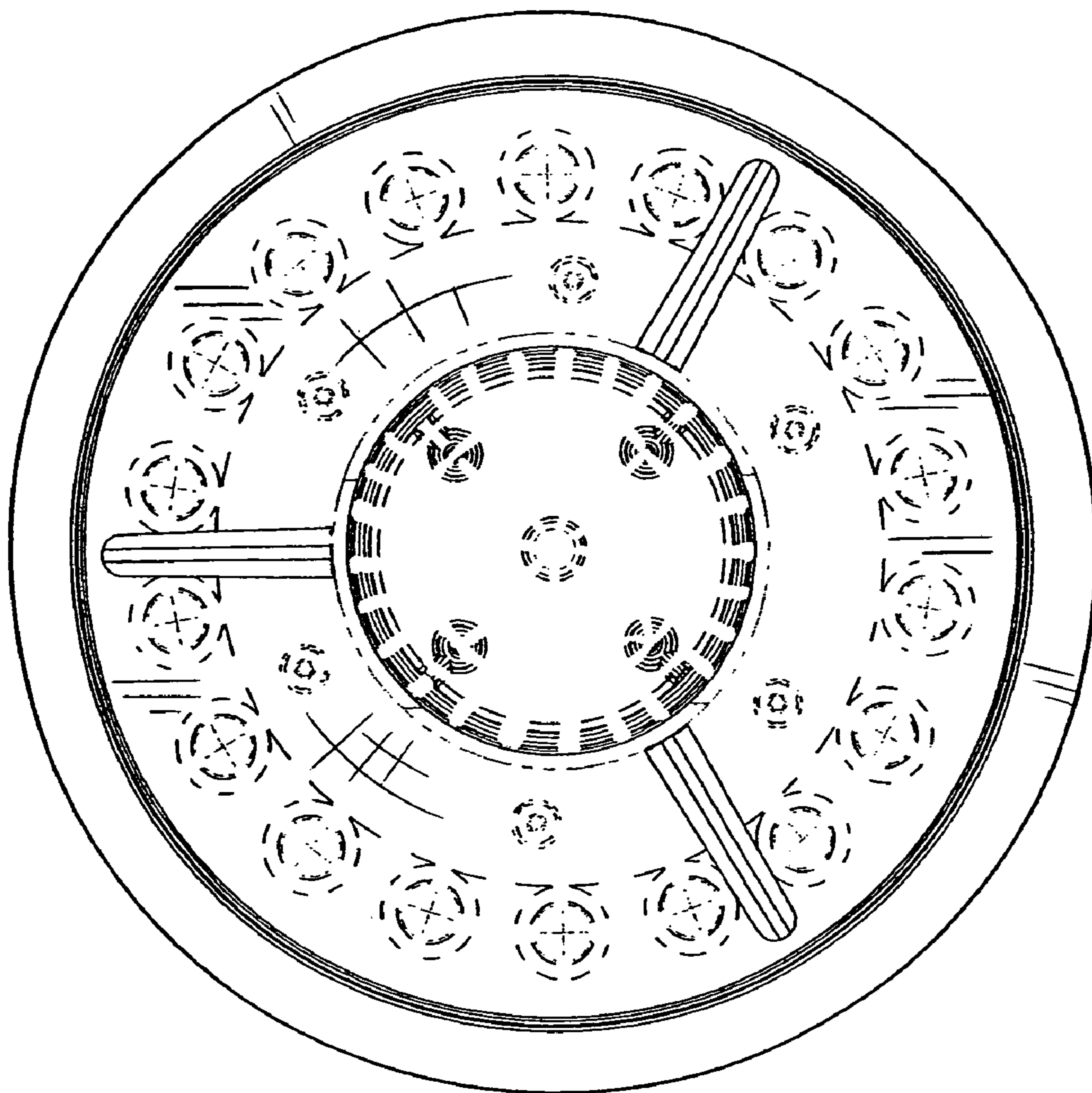


FIG. 6