

US00D592342S

(12) **United States Design Patent**
Kinnune et al.

(10) **Patent No.:** **US D592,342 S**
(45) **Date of Patent:** **** May 12, 2009**

(54) **POST TOP MOUNT WITH FLOODLIGHT FIXTURE**

D580,580 S * 11/2008 Lodhie D26/67

(75) Inventors: **Brian Kinnune**, Racine, WI (US); **Alan J. Ruud**, Racine, WI (US); **Christopher Ruud**, Franksville, WI (US); **Robert D. Giese**, Kenosha, WI (US)

(73) Assignee: **Ruud Lighting, Inc.**, Racine, WI (US)

(**) Term: **14 Years**

(21) Appl. No.: **29/305,818**

(22) Filed: **Mar. 28, 2008**

(51) **LOC (9) Cl.** **26-05**

(52) **U.S. Cl.** **D26/67**

(58) **Field of Classification Search** D26/67-71,
D26/85, 92; 362/152, 183, 294, 373, 414,
362/431, 545, 800

See application file for complete search history.

(56) **References Cited**

U.S. PATENT DOCUMENTS

D100,811 S	*	8/1936	Bick	D26/67
D187,433 S	*	3/1960	Hammes	D26/67
D197,381 S	*	1/1964	Muller	D26/67
D201,700 S	*	7/1965	Stockwell	D26/71
5,174,648 A	*	12/1992	Clary et al.	362/372
D391,658 S	*	3/1998	Compton	D26/68
D440,002 S		4/2001	Miranda		
D444,584 S		7/2001	Landefeld		
D470,965 S		2/2003	Landefeld		
D482,481 S		11/2003	Landefeld		
D504,536 S		4/2005	Emory et al.		
D529,218 S		9/2006	Wen		
D529,653 S		10/2006	Galipeau et al.		
D553,779 S	*	10/2007	Butler	D26/67
D554,791 S	*	11/2007	Galipeau et al.	D26/67
D556,357 S		11/2007	Butler et al.		
D563,018 S	*	2/2008	Nankil	D26/70
D577,847 S	*	9/2008	Ruud et al.	D26/71

OTHER PUBLICATIONS

Pages from Acuity Brands Lighting website. "Eurotique." Date: Copyright 2007. 10 pages.

Pages from www.bega-us.com website. "Bega." Date: Copyright 2005. 4 pages.

Pages from www.aal.net website. "Largent." Date: Copyright 2005. 13 pages.

Specification sheets from www.aal.et website. "Largent." Date: Copyright 2005. 3 pages.

* cited by examiner

Primary Examiner—Clare E Heflin

(74) *Attorney, Agent, or Firm*—Jansson Shupe & Munger Ltd.

(57) **CLAIM**

The ornamental design for a post top mount with a floodlight fixture, as shown and described.

DESCRIPTION

FIG. 1 is a perspective view from above of a post top mount with a floodlight fixture, the post and details in the middle portion of the top and the bottom of the fixture being shown in phantom lines;

FIG. 2 is a perspective view from below of the post top mount with the floodlight fixture of FIG. 1;

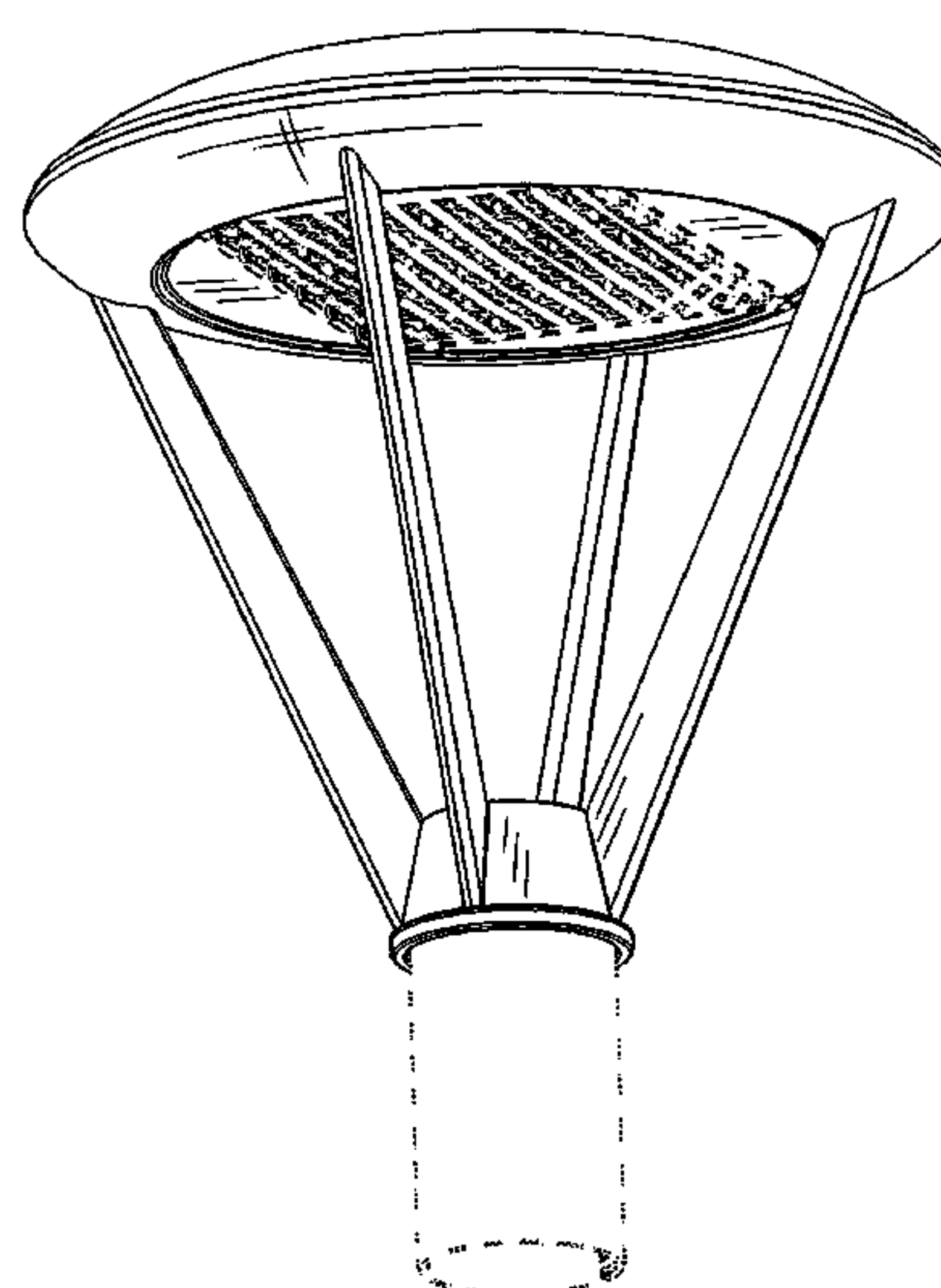
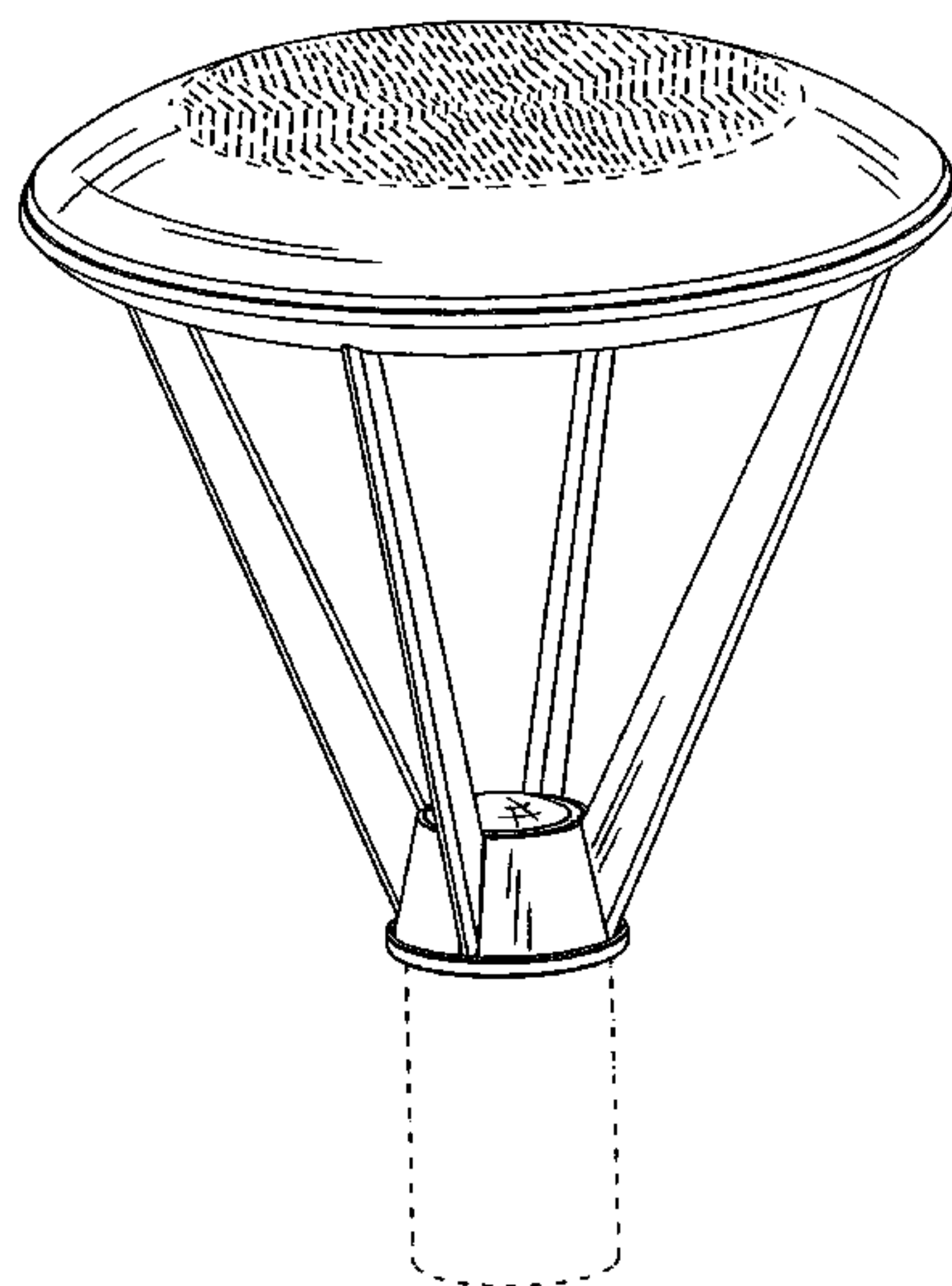
FIG. 3 is a front elevation of the post top mount with the floodlight fixture of FIG. 1, a rear, right-side and left-side elevations being identical images;

FIG. 4 is a 45°-from-front elevation of the post top mount with the floodlight fixture of FIG. 1; and,

FIG. 5 is a bottom plan view of the post top mount with the floodlight fixture of FIG. 1.

The phantom lines are provided for illustrative purposes only and form no part of the claimed design.

1 Claim, 5 Drawing Sheets



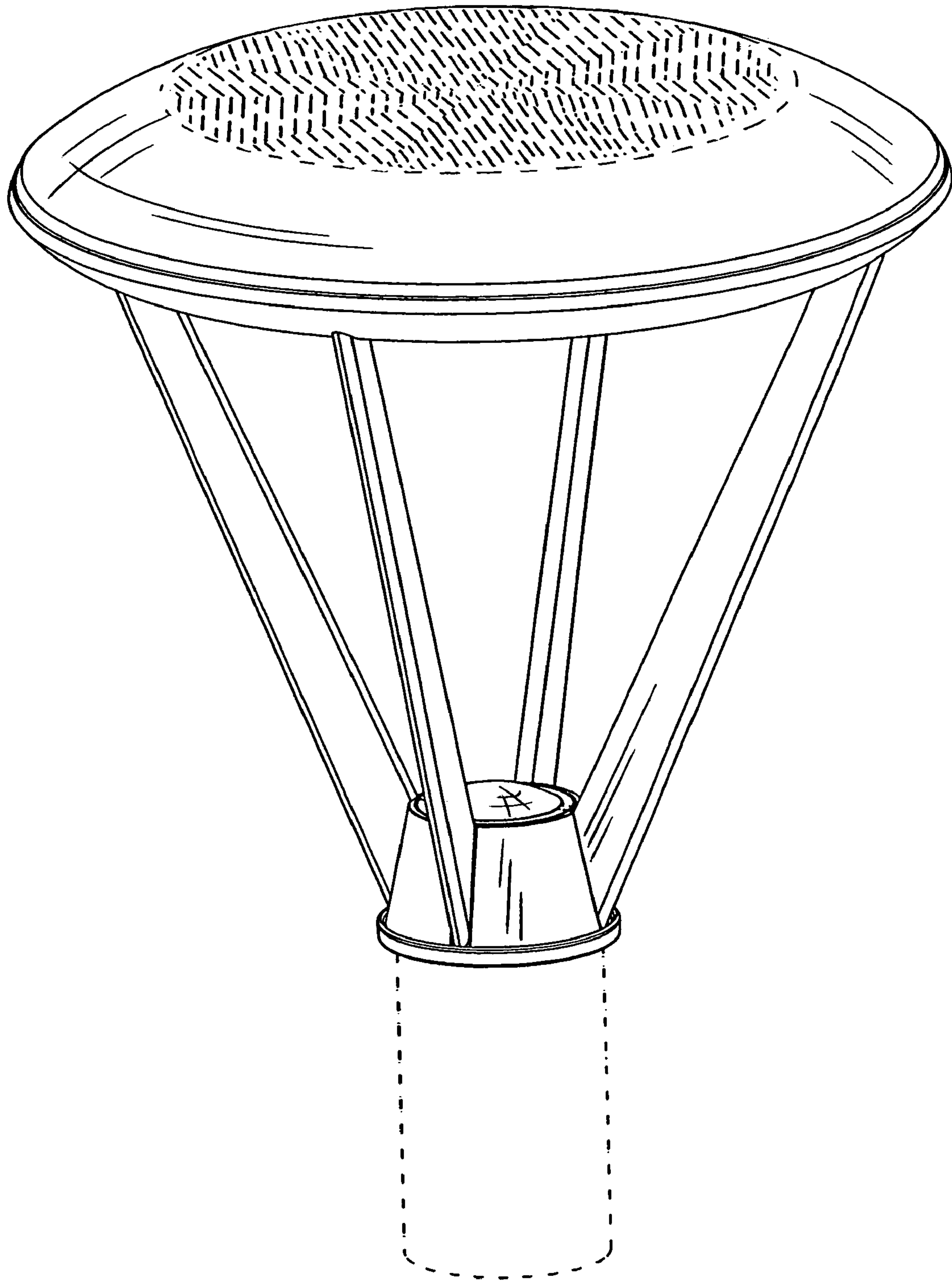


FIG. 1

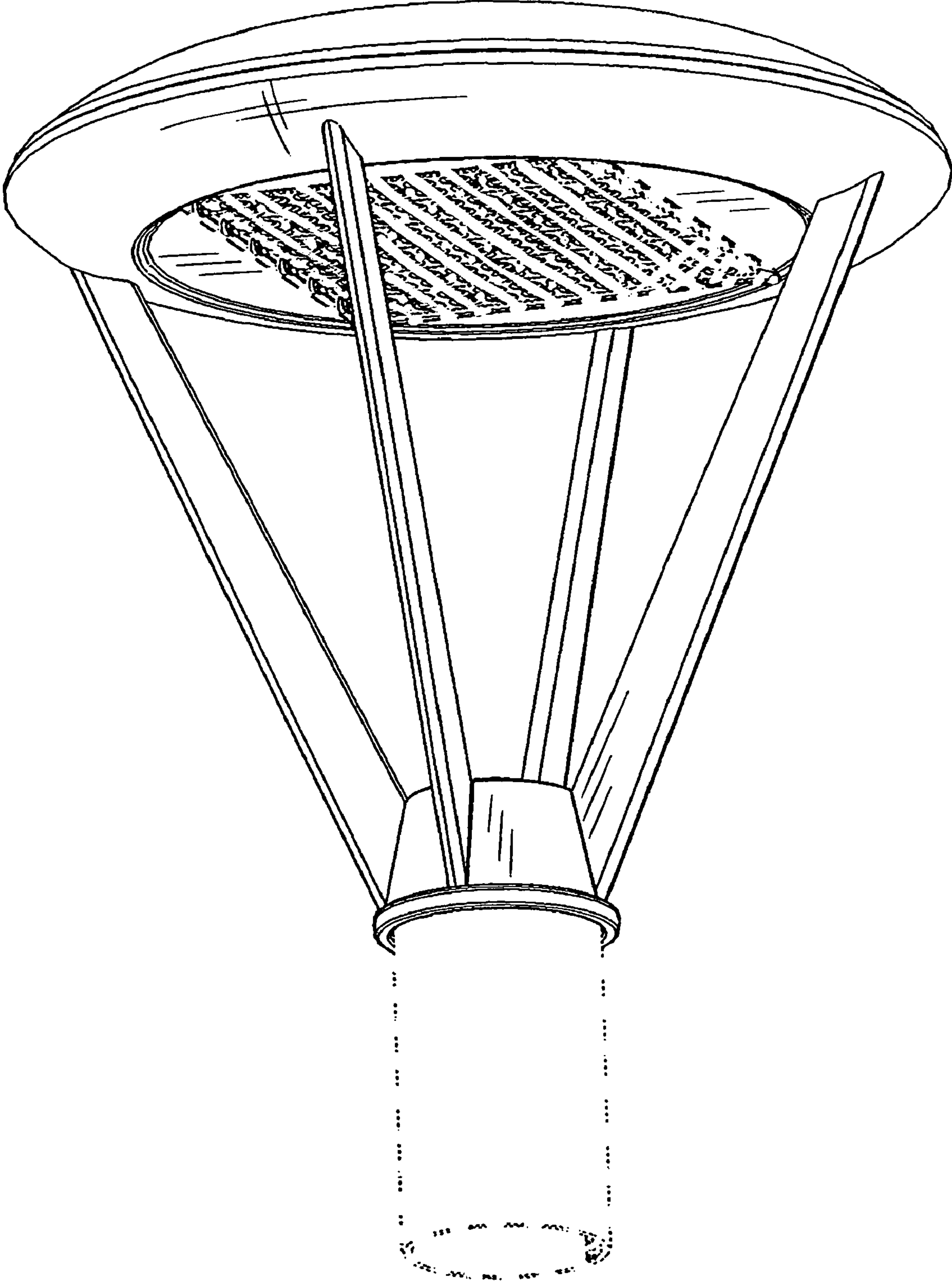


FIG. 2

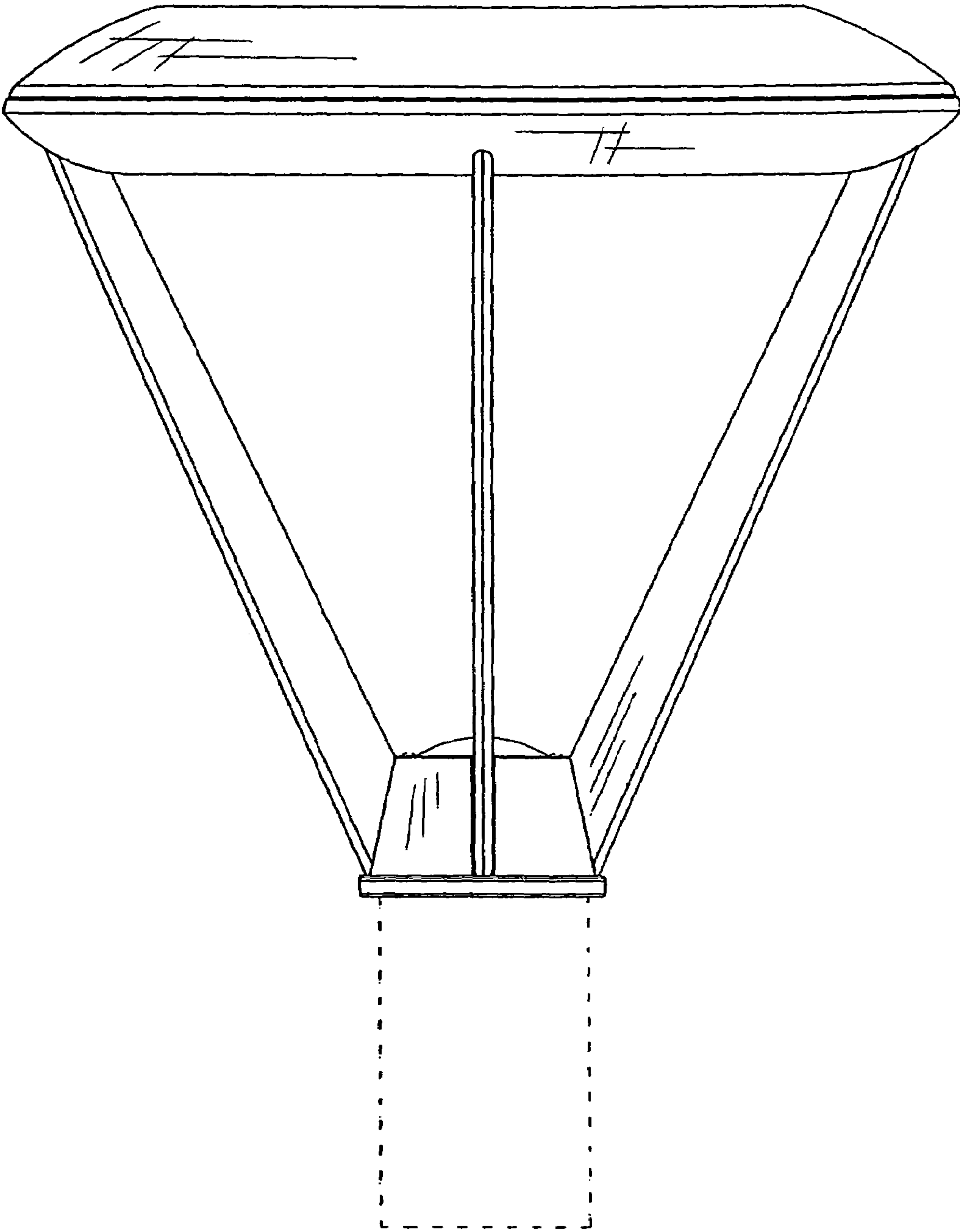


FIG. 3

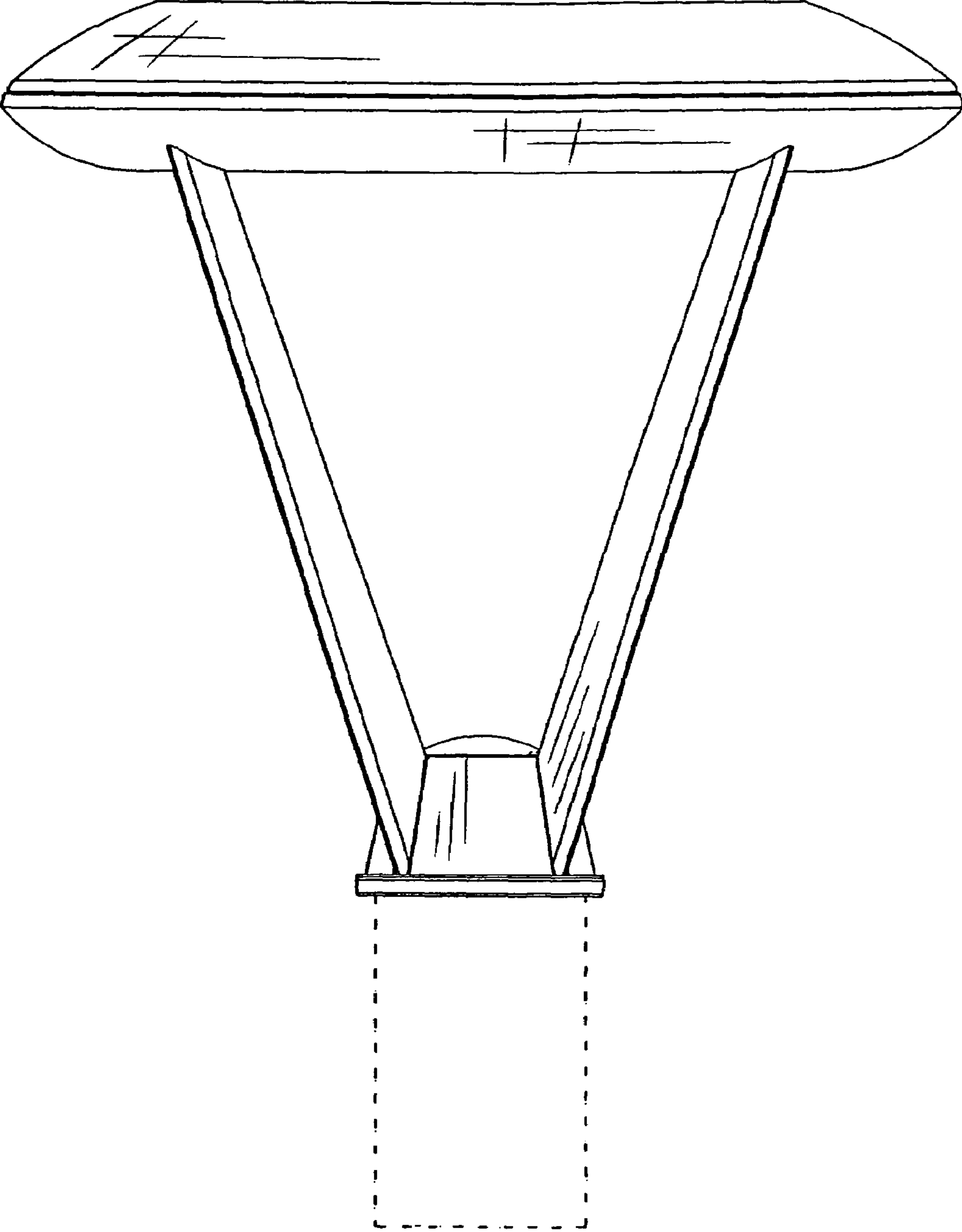


FIG. 4

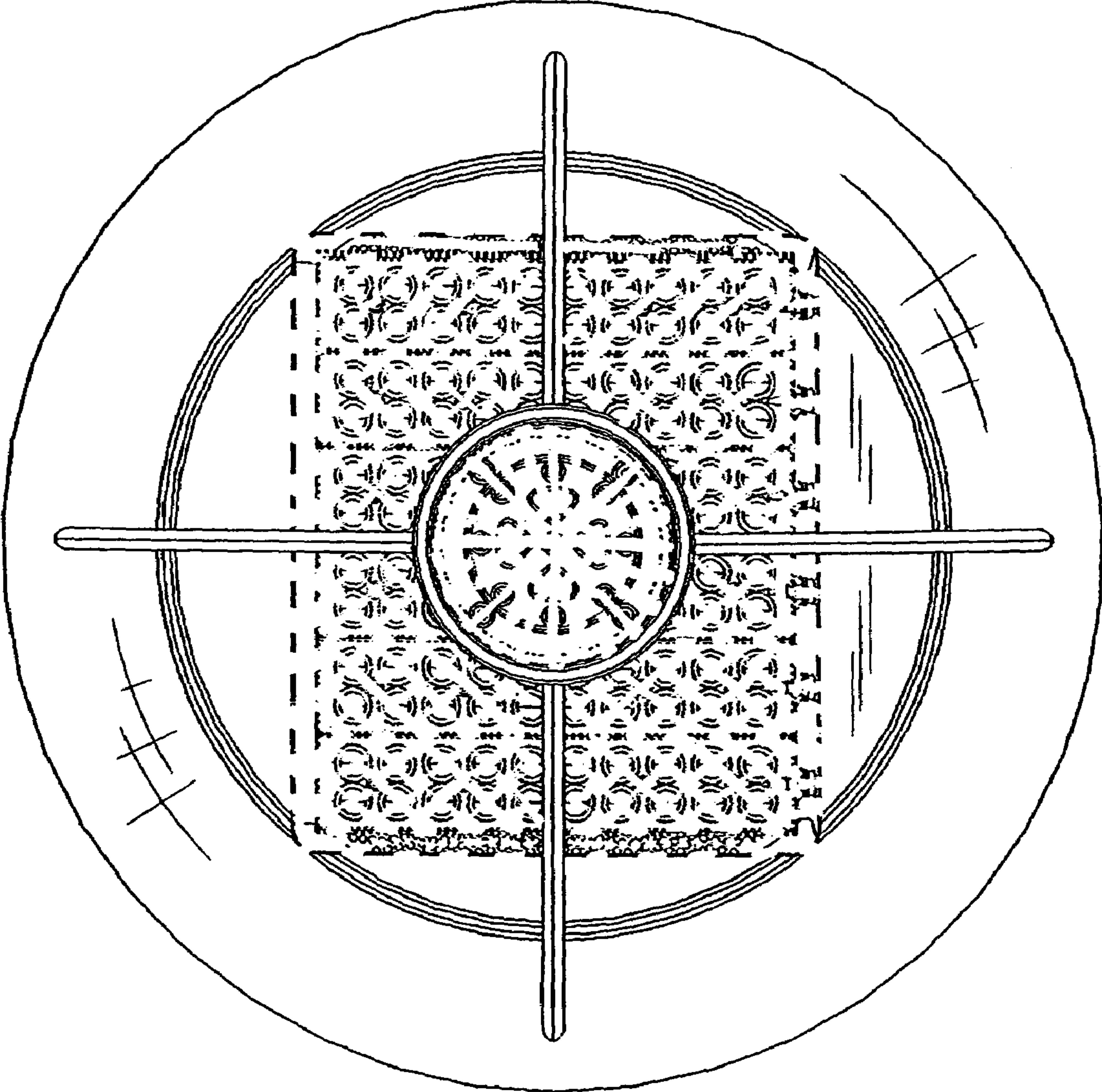


FIG. 5