

US00D592341S

(12) **United States Design Patent**
Fan

(10) **Patent No.:** **US D592,341 S**

(45) **Date of Patent:** **** May 12, 2009**

(54) **ADJUSTABLE DESK LAMP**

(75) Inventor: **Ben Fan, He Shan (CN)**

(73) Assignee: **He Shan Lide Electronic Enterprise Company Ltd., He Shan (CN)**

(**) Term: **14 Years**

(21) Appl. No.: **29/317,660**

(22) Filed: **May 4, 2008**

(51) **LOC (9) Cl.** **26-05**

(52) **U.S. Cl.** **D26/63**

(58) **Field of Classification Search** D26/43,
D26/51, 56, 60-66, 72, 93, 107, 118, 128;
D24/210; 362/147, 191, 230, 231, 232, 238,
362/239, 250, 254, 255, 265, 269, 270, 275,
362/277, 278, 280-288, 306, 310, 311, 362,
362/396, 404, 410-414, 418-430, 449, 640,
362/647, 648, 652, 653, 655, 804, 99; 439/122
See application file for complete search history.

(56) **References Cited**

U.S. PATENT DOCUMENTS

1,755,915	A *	4/1930	Durham	24/562
D91,717	S *	3/1934	Maguire	D6/462
D92,802	S *	7/1934	Godfrey	D26/107
2,186,508	A *	1/1940	Tremmel	40/659
D228,327	S *	9/1973	Court	D6/462
D266,098	S *	9/1982	Thornton	D19/86

D303,579	S *	9/1989	Palumbo	D26/61
D303,580	S *	9/1989	Kyricos	D26/65
5,345,370	A *	9/1994	Murray et al.	362/205
D446,877	S *	8/2001	Lester	D26/72
D476,106	S *	6/2003	Kim	D26/62
D542,955	S *	5/2007	Hodgson	D26/60
D560,014	S *	1/2008	Lammel et al.	D26/61
D563,013	S *	2/2008	Levine	D26/63
2008/0192476	A1 *	8/2008	Hiratsuka	362/285

* cited by examiner

Primary Examiner—Cathron C Brooks

Assistant Examiner—Barbara Fox

(74) *Attorney, Agent, or Firm*—Dovas Law, P.C.

(57) **CLAIM**

The ornamental design for an adjustable desk lamp, as shown and described.

DESCRIPTION

FIG. 1 is a front view of an adjustable desk lamp showing my new design;

FIG. 2 is a rear elevation view thereof;

FIG. 3 is a left elevation view thereof;

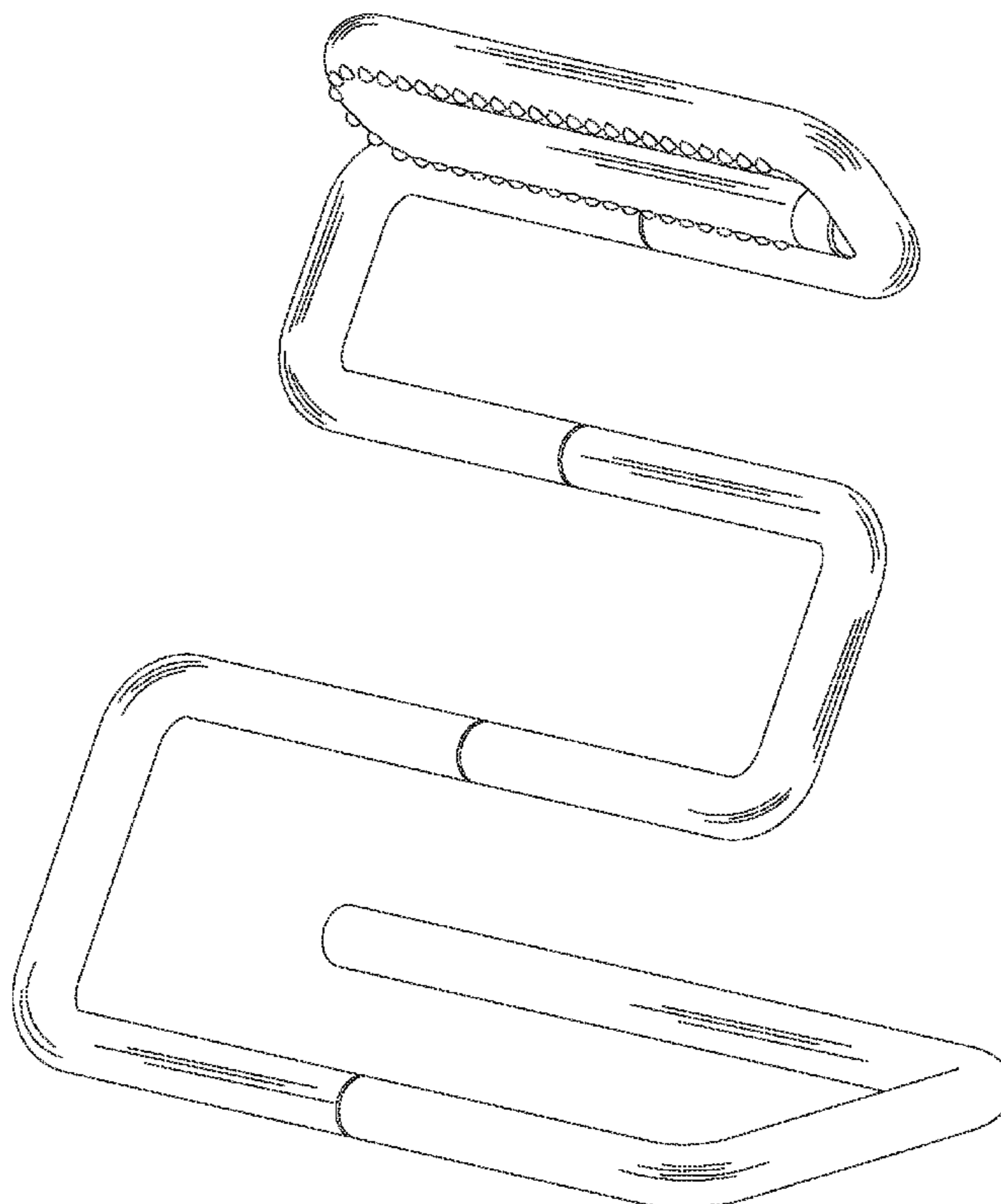
FIG. 4 is a right elevation view thereof;

FIG. 5 is a top plan view thereof;

FIG. 6 is a bottom plan view thereof; and,

FIG. 7 is a top perspective view thereof.

1 Claim, 7 Drawing Sheets



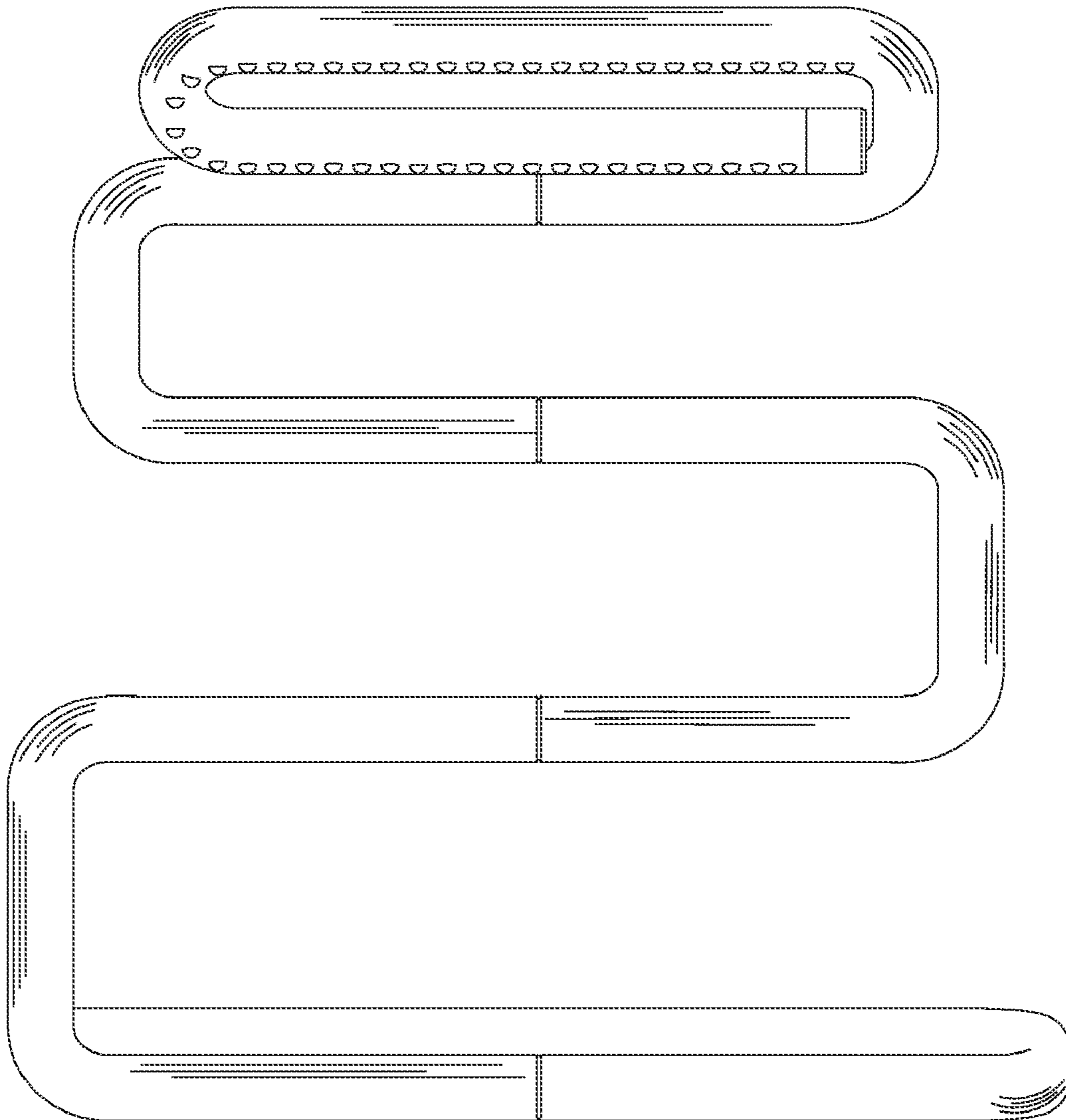


FIG. 1

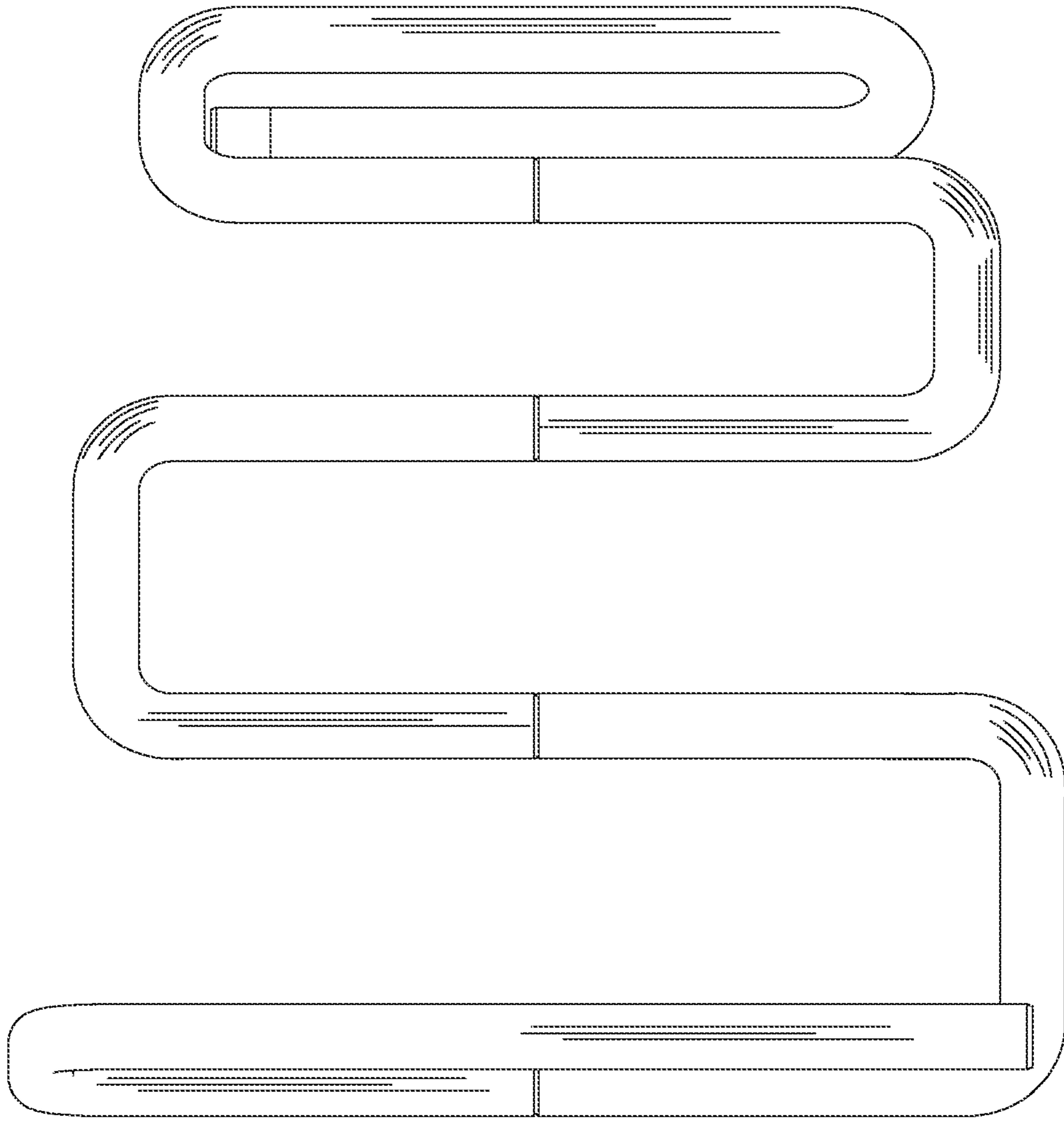


FIG. 2

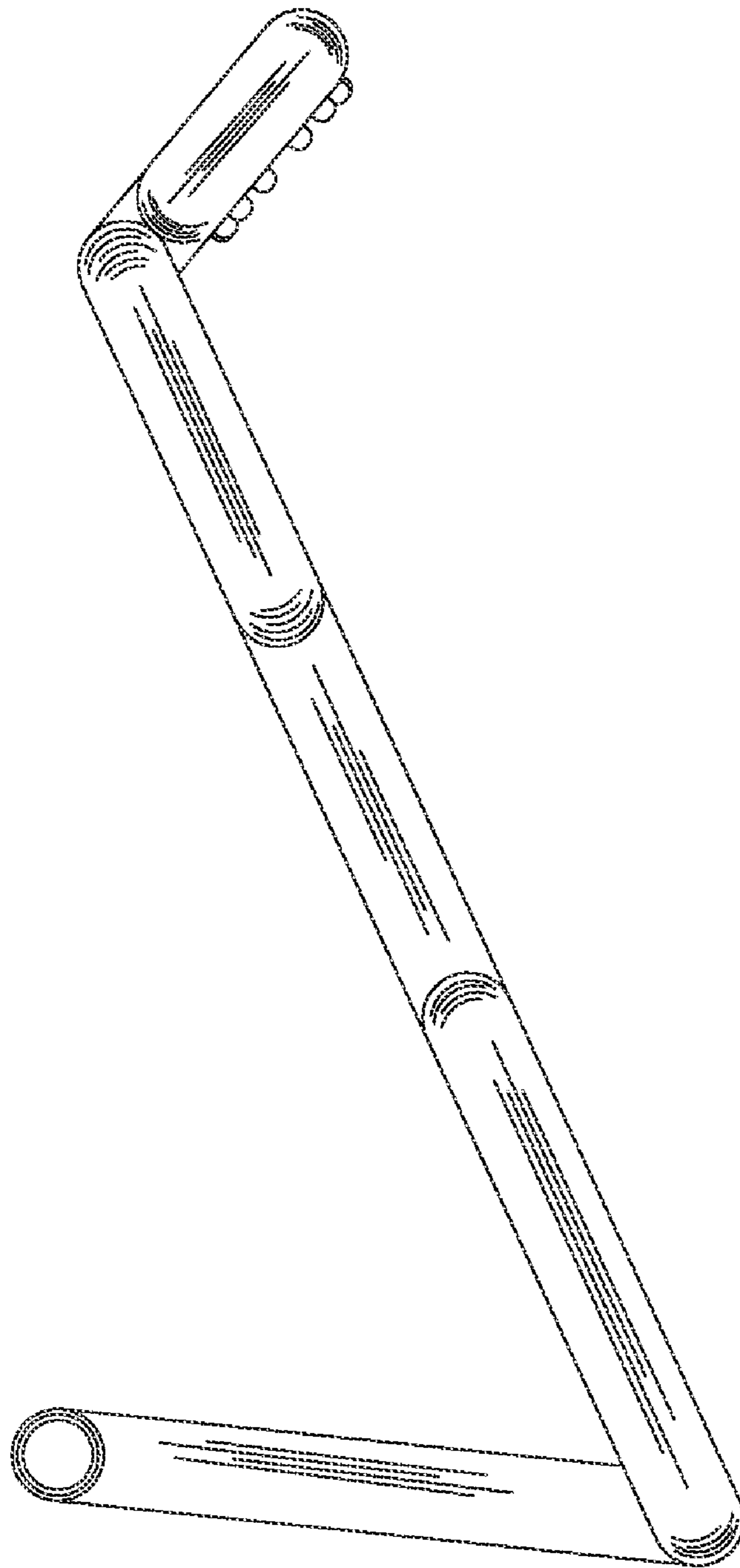


FIG. 3

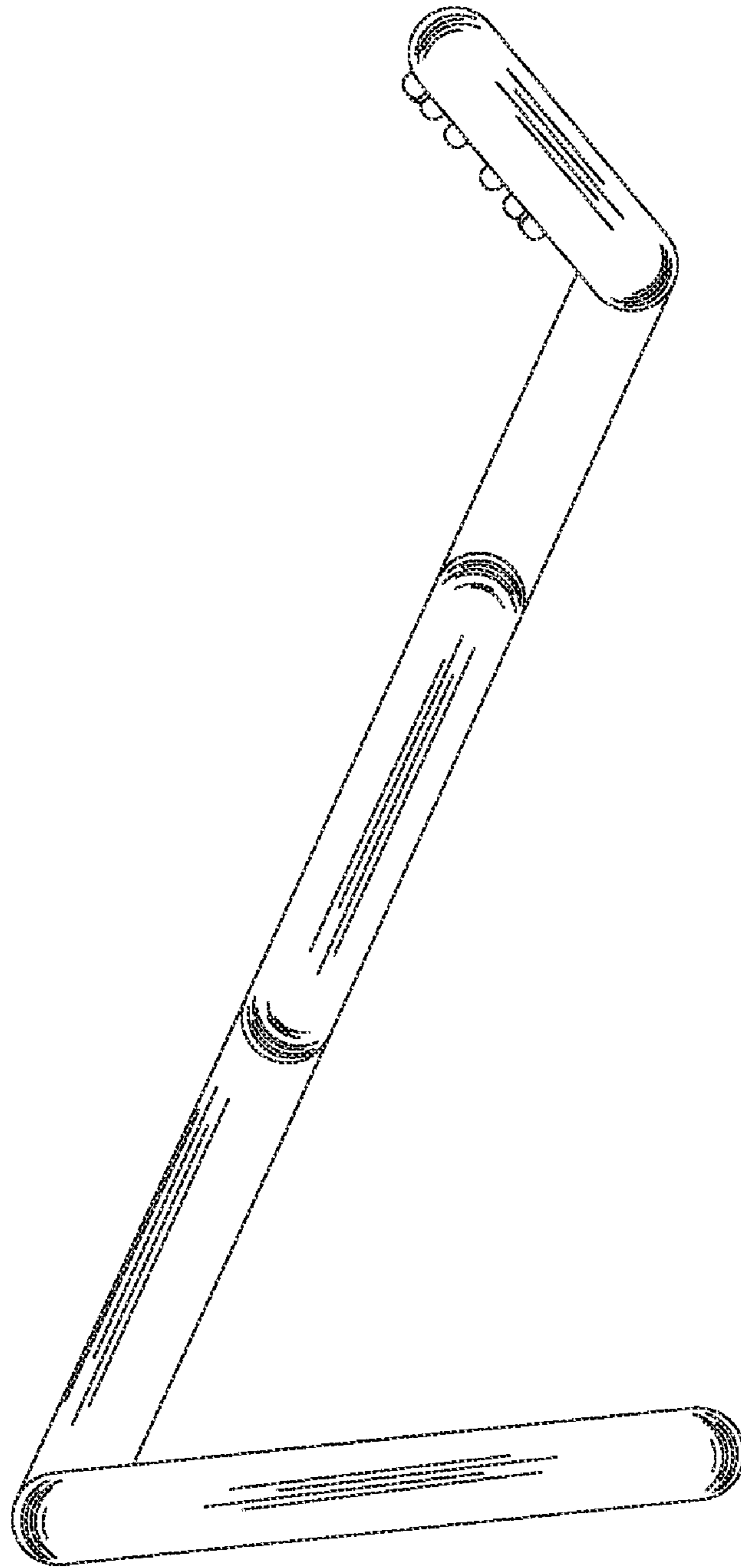


FIG. 4

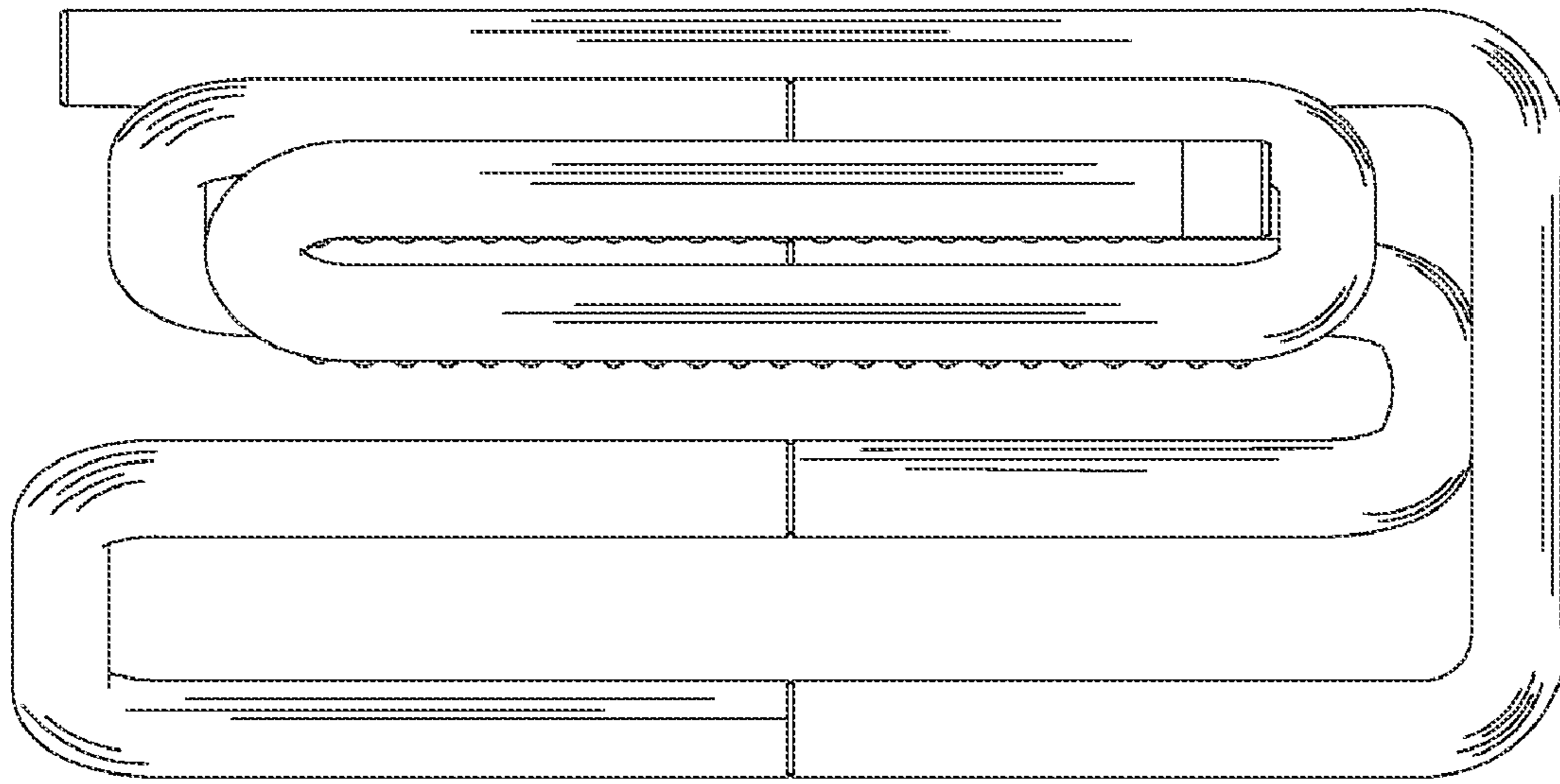


FIG. 5

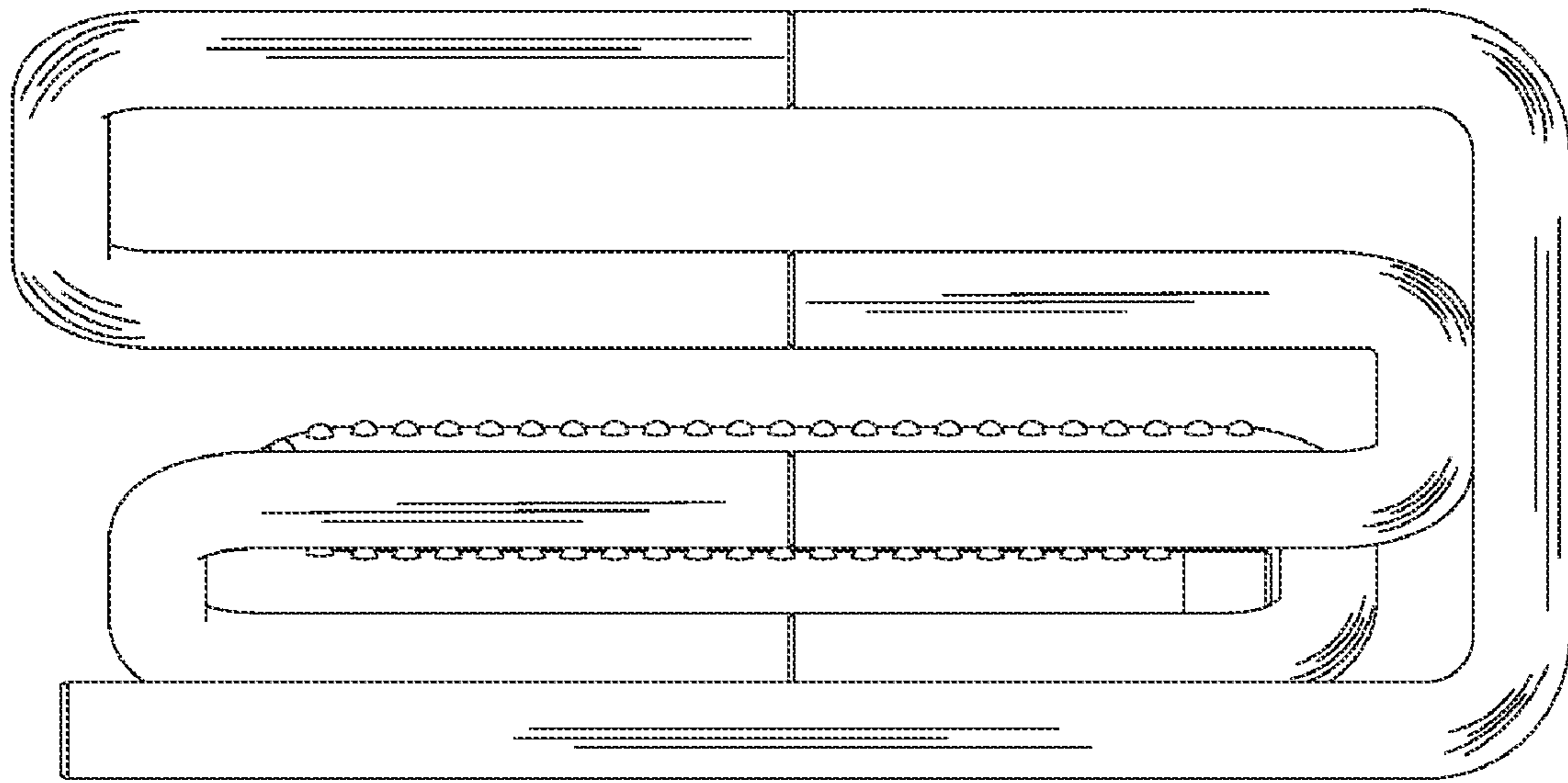


FIG. 6

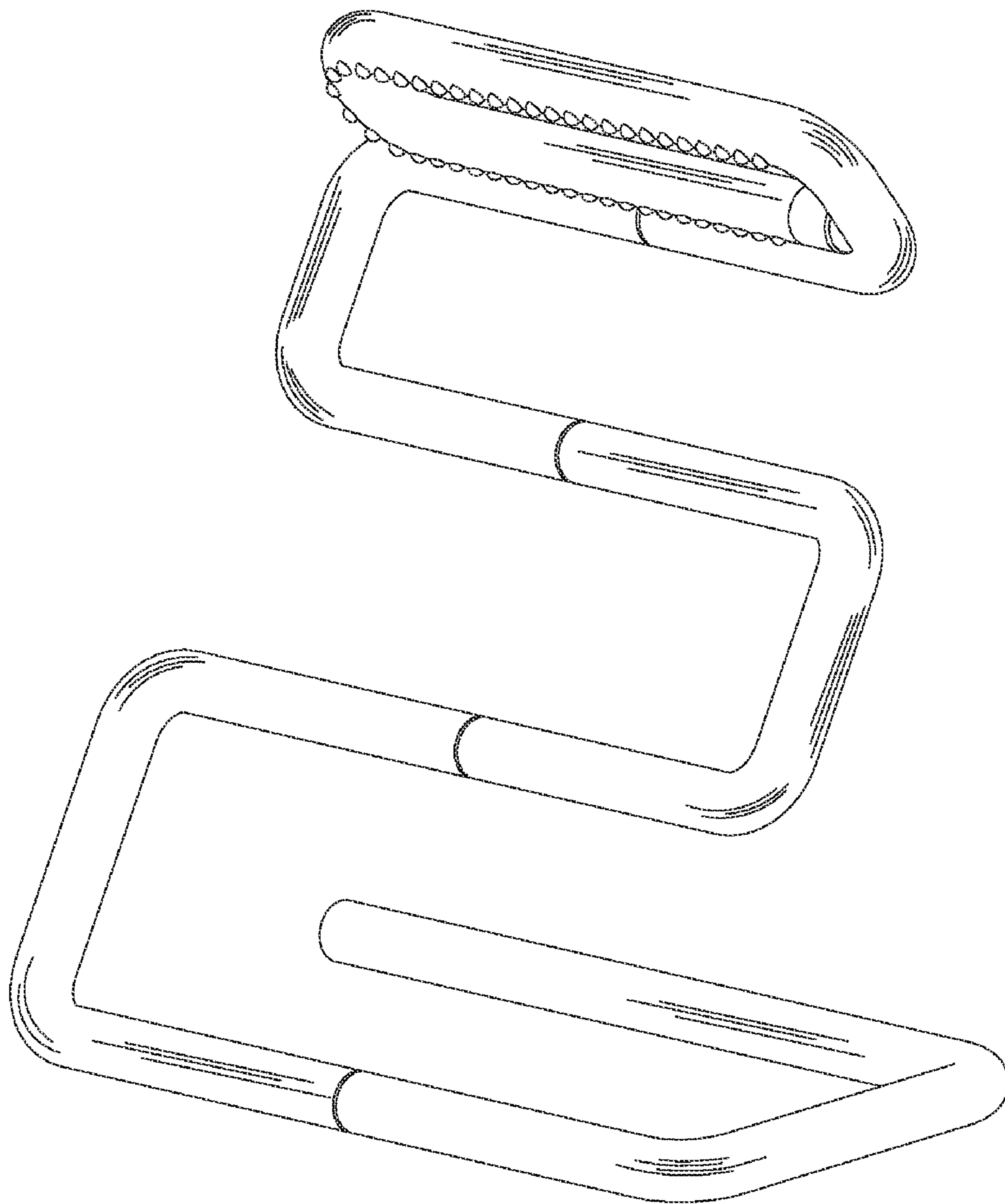


FIG. 7