



US00D592340S

(12) **United States Design Patent**
Liao et al.

(10) **Patent No.:** **US D592,340 S**
(45) **Date of Patent:** **** May 12, 2009**

(54) **BICYCLE LIGHT**

(75) Inventors: **Su-Chang Liao**, Taichung (TW);
Di-Shun Liao, Taichung (TW)

(73) Assignee: **S-Sun Enterprise Co., Ltd**, Taichung
(TW)

(**) Term: **14 Years**

(21) Appl. No.: **29/330,118**

(22) Filed: **Dec. 30, 2008**

(51) **LOC (9) Cl.** **26-05**

(52) **U.S. Cl.** **D26/60; D26/28**

(58) **Field of Classification Search** D26/28,
D26/37, 39, 60-63; 362/98, 99, 396, 473-476
See application file for complete search history.

(56) **References Cited**

U.S. PATENT DOCUMENTS

D345,615	S	*	3/1994	Tsushi	D26/28
5,477,425	A	*	12/1995	Sun et al.	362/476
D380,566	S	*	7/1997	Chen	D26/37
6,572,249	B2	*	6/2003	Bailey	362/473
D528,230	S	*	9/2006	Nagano	D26/28
D544,113	S	*	6/2007	Ueda et al.	D26/28
7,293,900	B1	*	11/2007	Lee	362/476
D570,023	S	*	5/2008	Lee	D26/60
2007/0109769	A1	*	5/2007	Booty	362/116

OTHER PUBLICATIONS

Sigma Sport Tailguard—5 LED Taillight. Downloaded from modernbike.com on Feb. 16, 2009.*

Serfast Taillight #TL-02BK. Downloaded from modernbike.com on Feb. 16, 2009.*

* cited by examiner

Primary Examiner—Clare E Heflin

(57) **CLAIM**

The ornamental design for a bicycle light, as shown and described.

DESCRIPTION

FIG. 1 is a perspective view of a bicycle light showing my new design;

FIG. 2 is a front elevational view thereof;

FIG. 3 is a rear elevational view thereof;

FIG. 4 is a left side view thereof;

FIG. 5 is a right side view thereof;

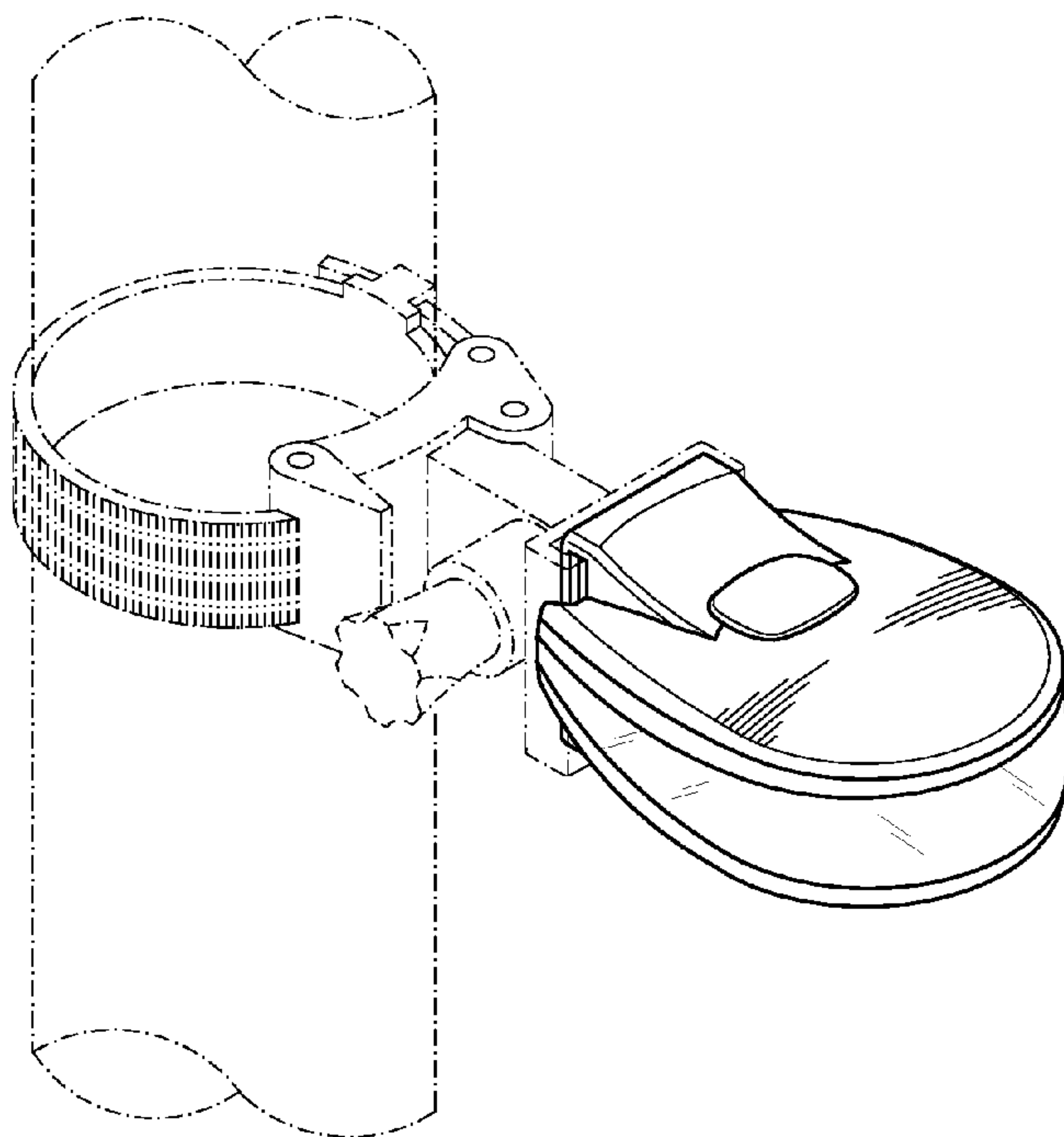
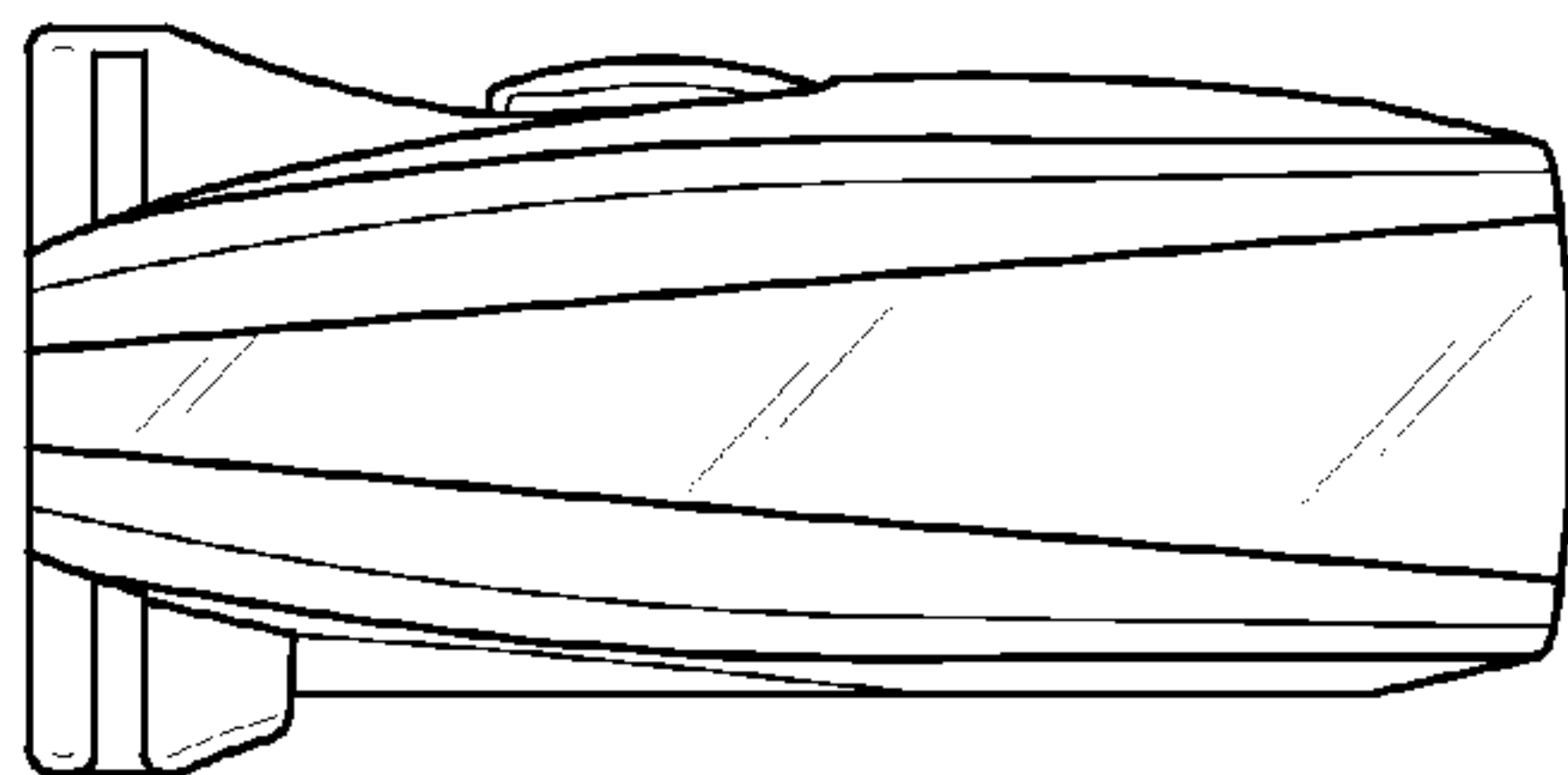
FIG. 6 is a bottom plan view thereof;

FIG. 7 is a top plan view thereof;

FIG. 8 is a view showing the application thereof, wherein the broken line portion is for illustrative purpose only and forms no part of the claimed design; and,

FIG. 9 is a view showing the application thereof, wherein the broken line portion is for illustrative purpose only and forms no part of the claimed design.

1 Claim, 6 Drawing Sheets



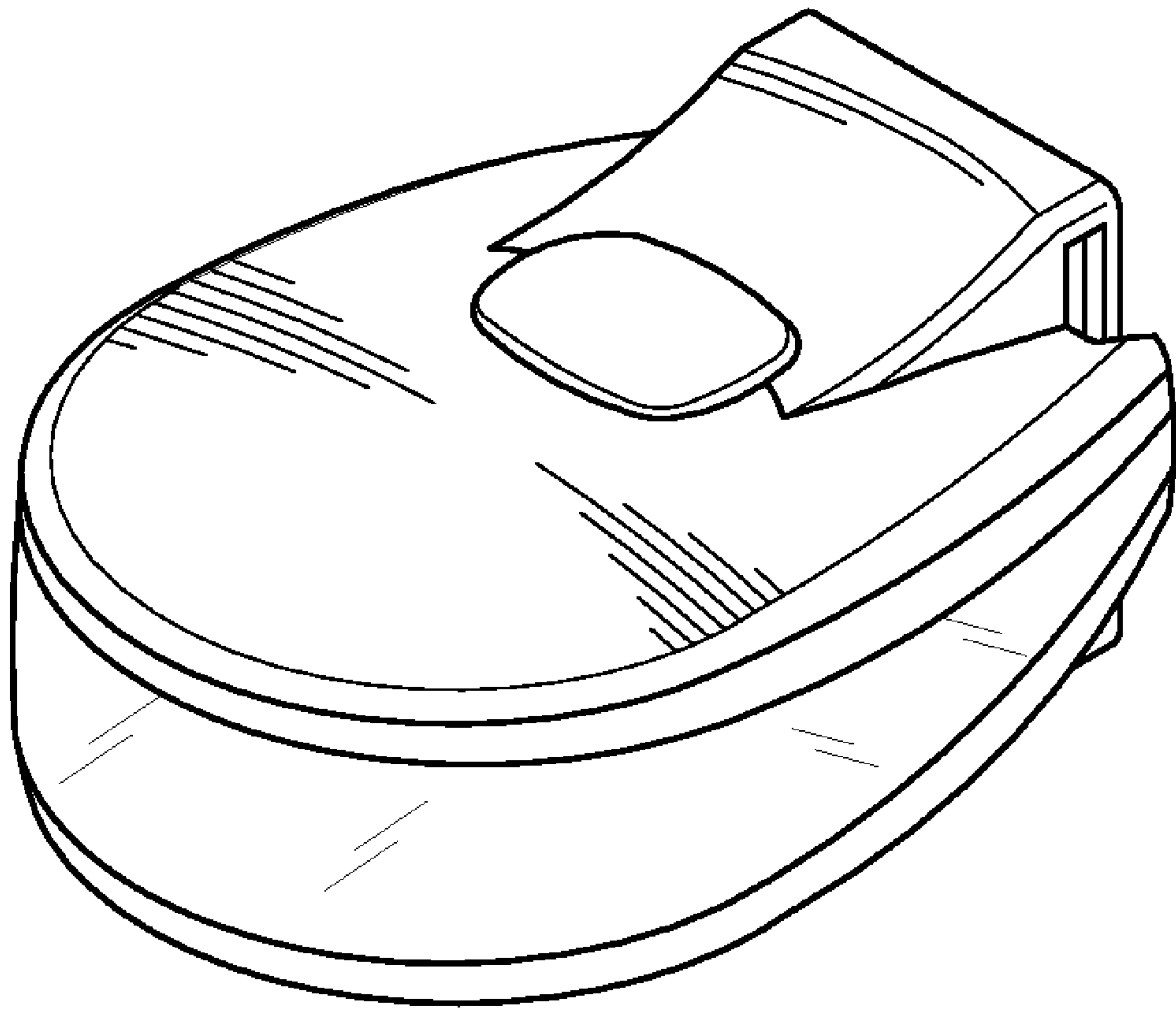


FIG. 1

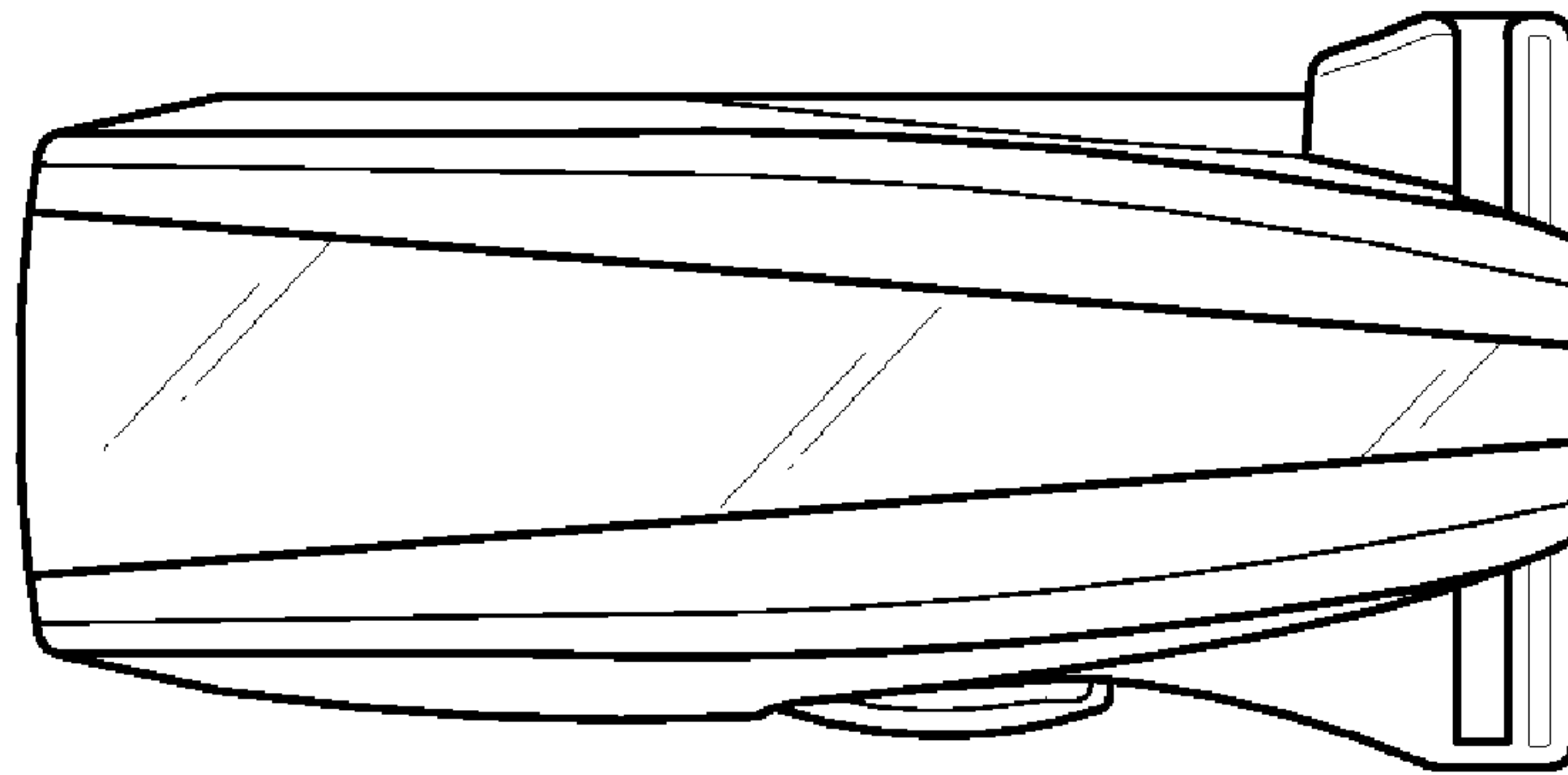


FIG. 2

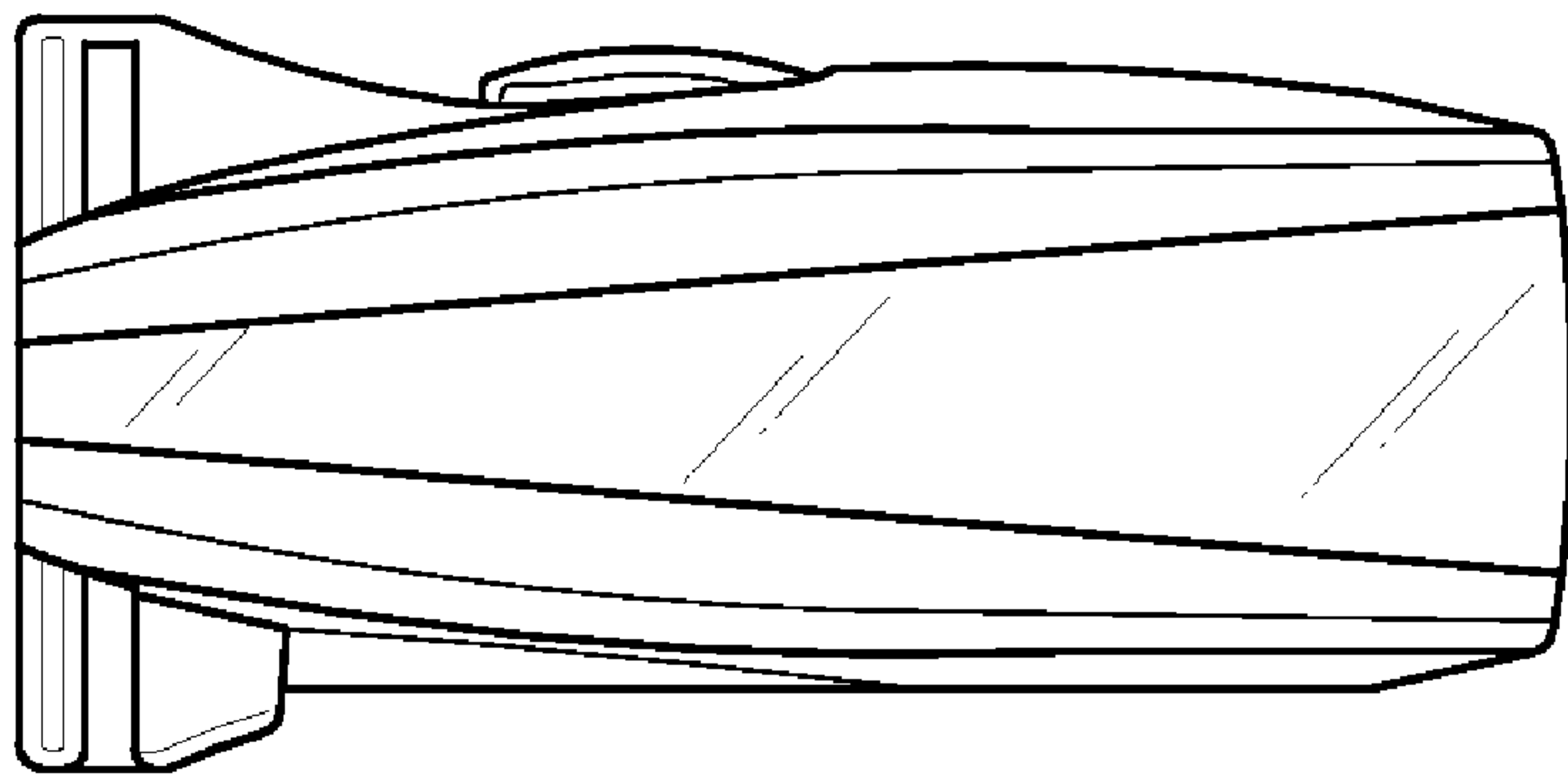


FIG. 3

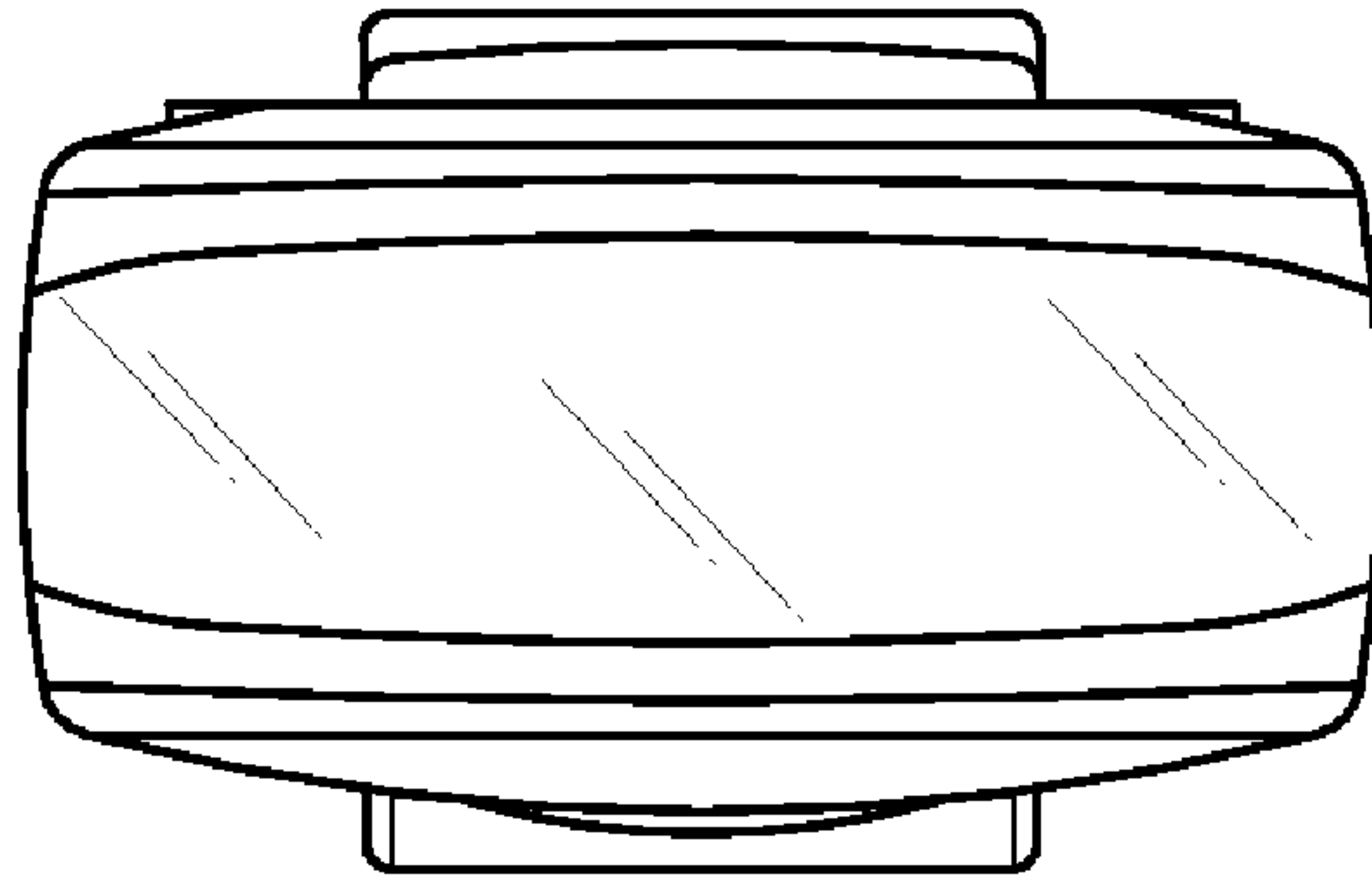


FIG. 4

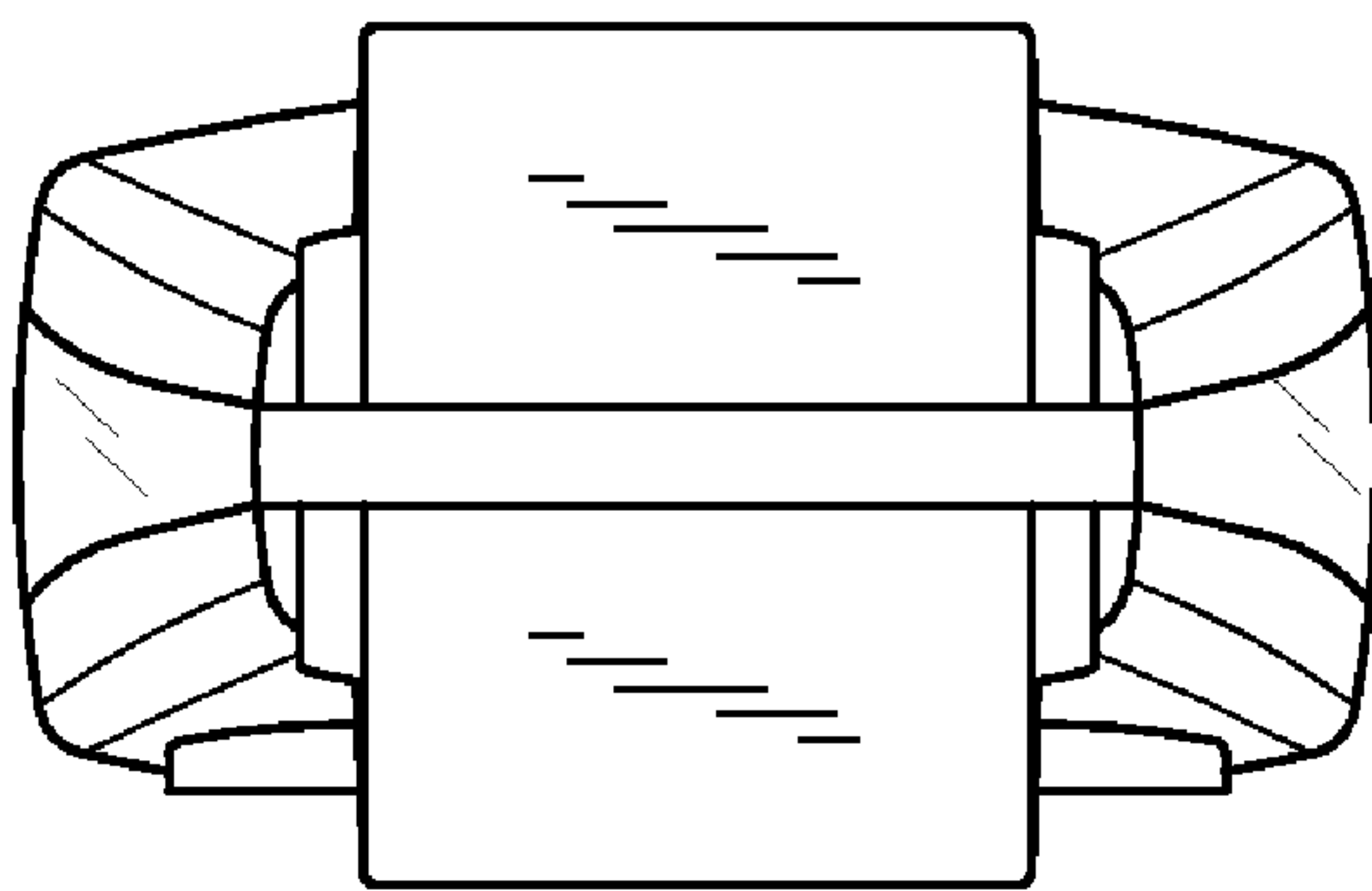


FIG. 5

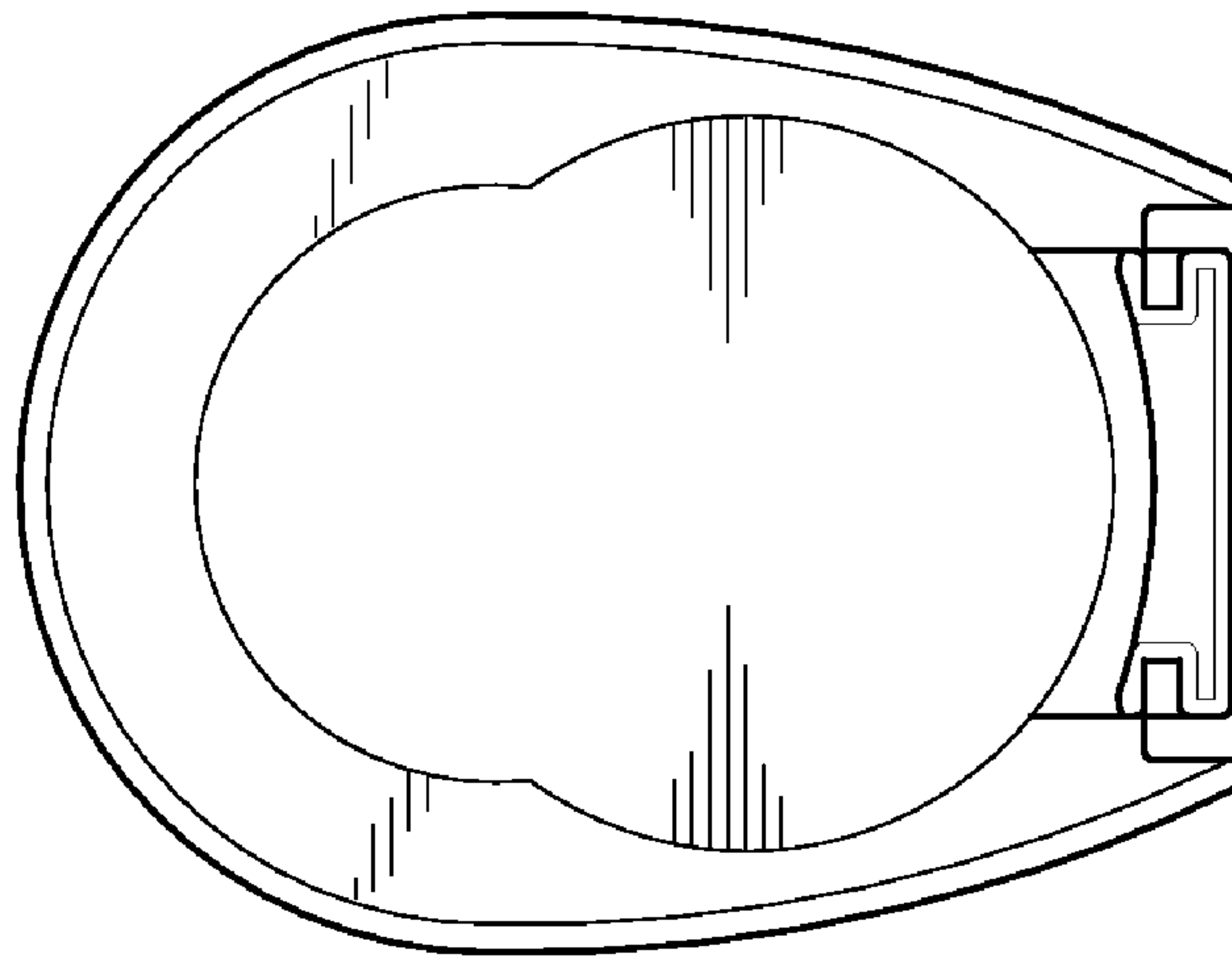


FIG. 6

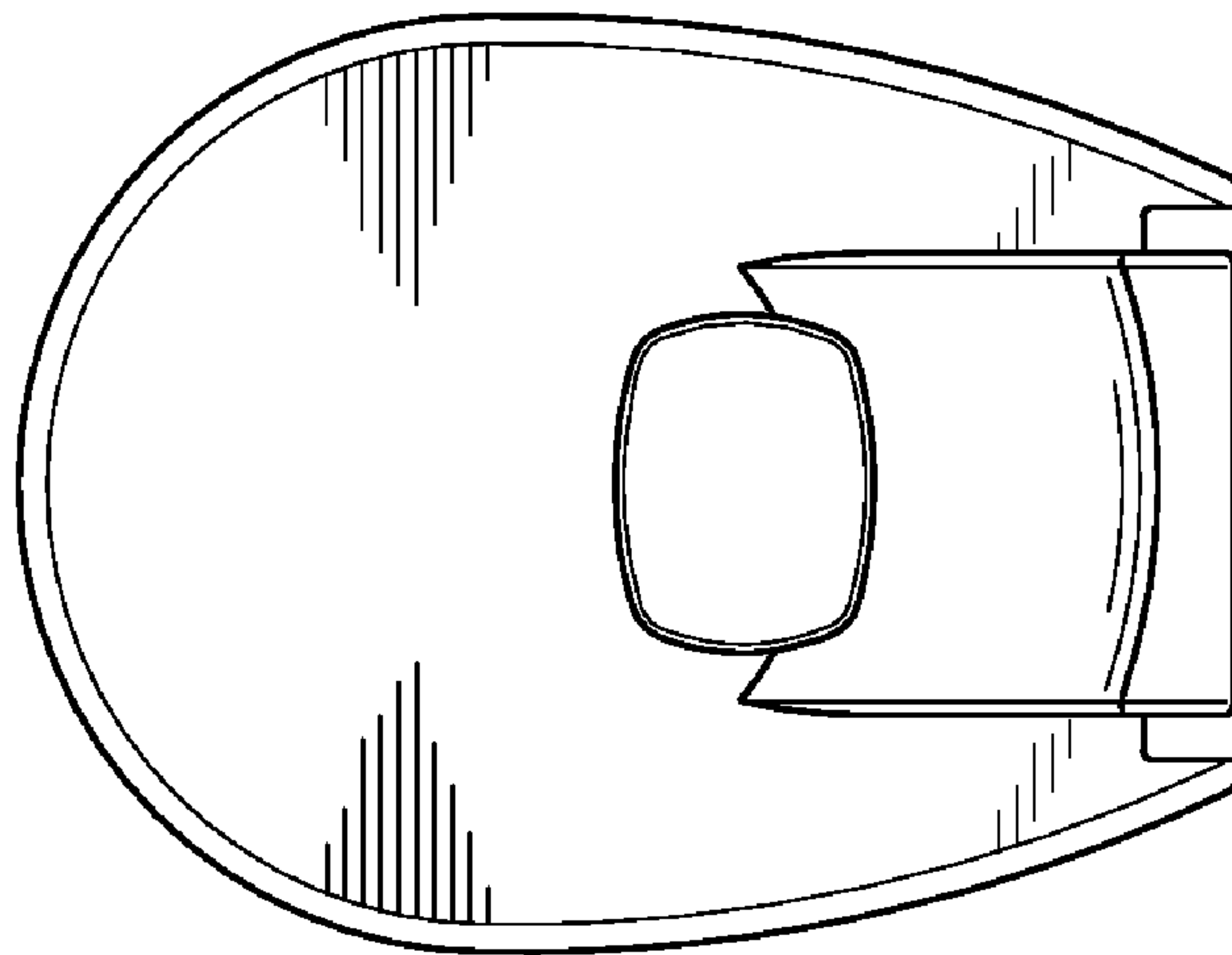


FIG. 7

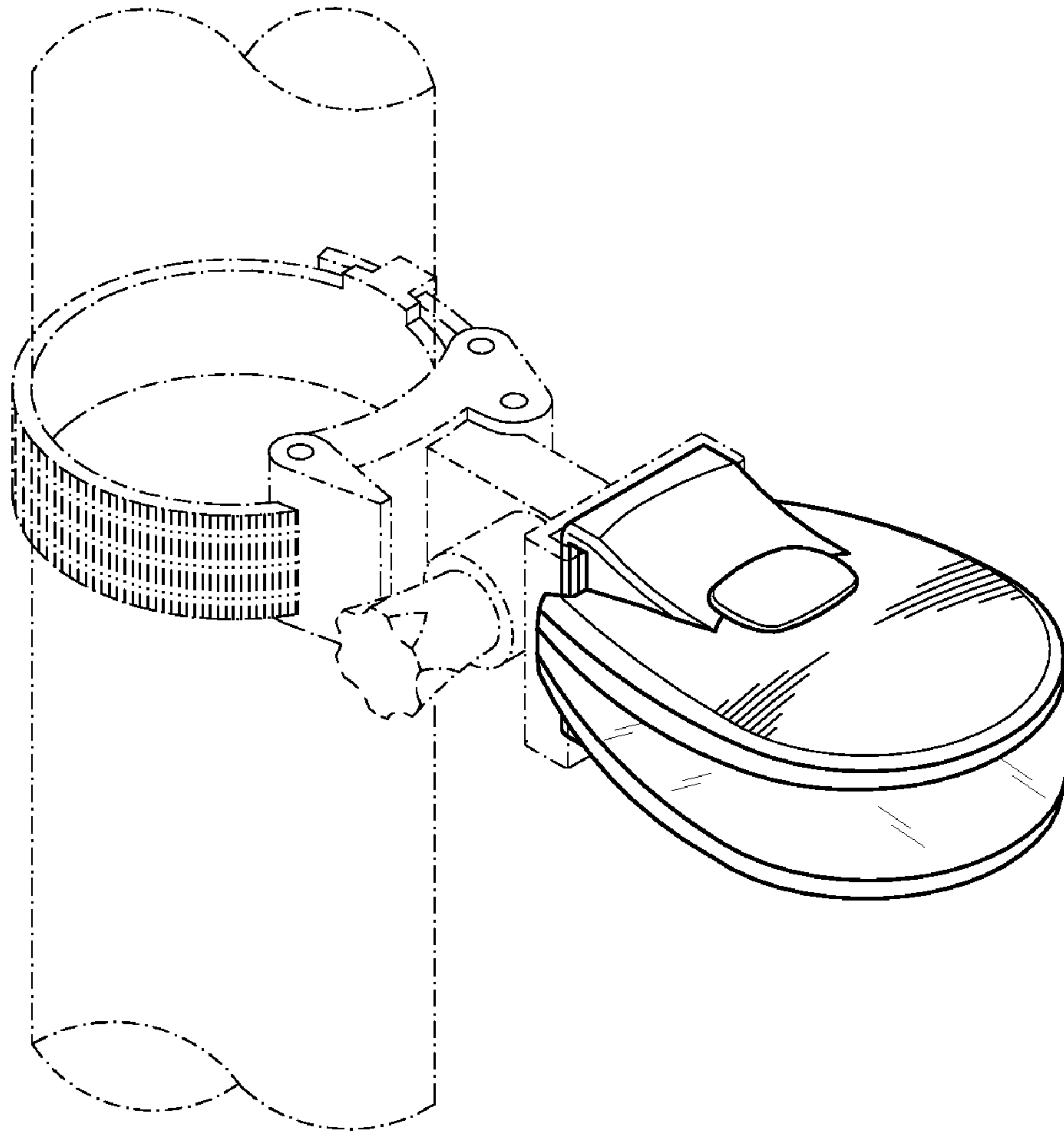


FIG. 8

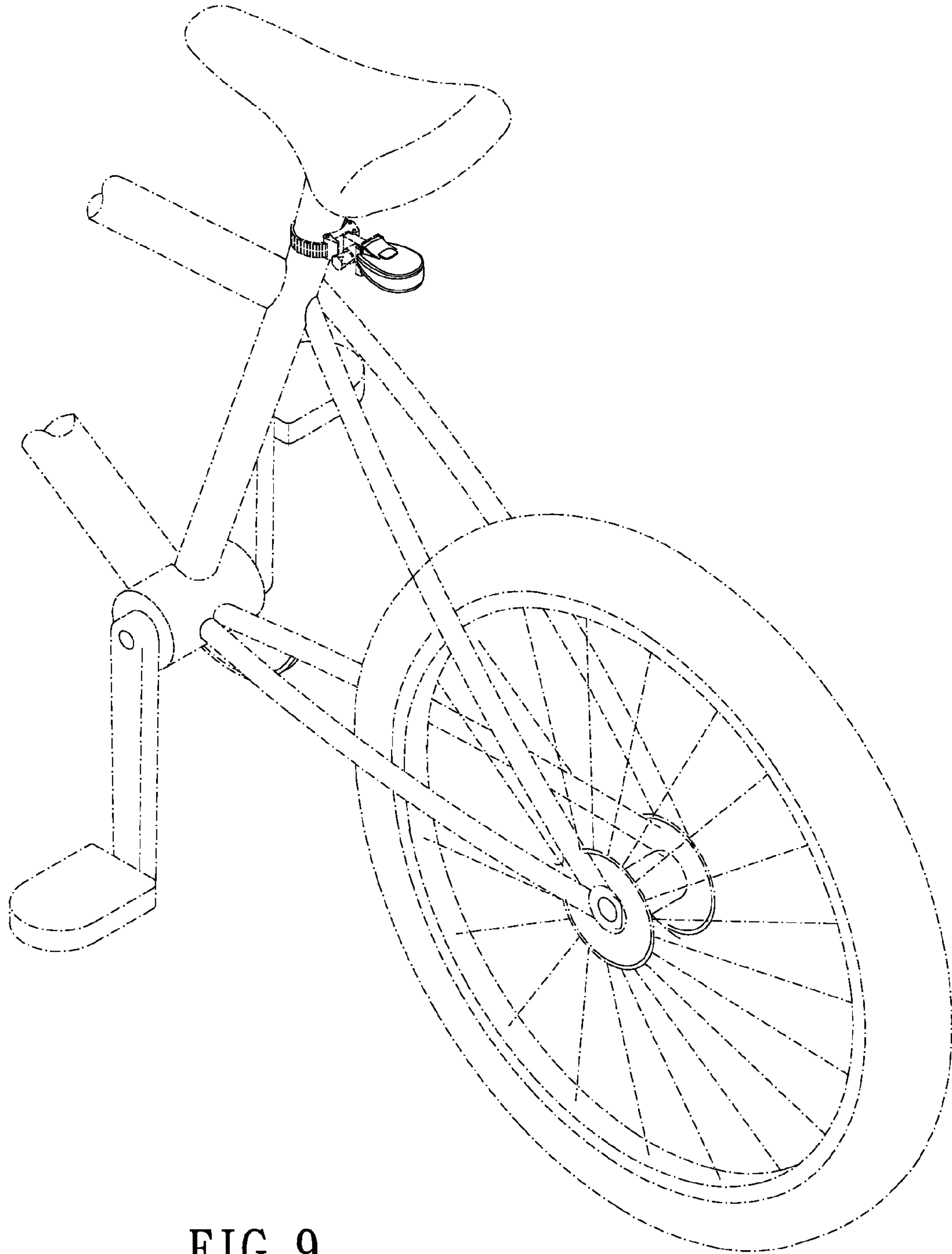


FIG. 9