



US00D592334S

(12) **United States Design Patent**
Hsu

(10) **Patent No.:** **US D592,334 S**
(45) **Date of Patent:** **** May 12, 2009**

(54) **VEHICLE REAR LIGHT UNIT**

(76) Inventor: **Hong Ming Hsu**, No. 152, Sec 2,
Funong St. East District, Tainan City
(TW) 701

(**) Term: **14 Years**

(21) Appl. No.: **29/329,526**

(22) Filed: **Dec. 16, 2008**

(51) **LOC (9) Cl.** **26-06**

(52) **U.S. Cl.** **D26/28**

(58) **Field of Classification Search** D26/28-36;
362/459-468, 475-478, 485-487
See application file for complete search history.

(56) **References Cited**

U.S. PATENT DOCUMENTS

D526,427 S	8/2006	Morioka	
D528,232 S	9/2006	Nakahara	
D528,680 S	9/2006	Oda	
D528,684 S	9/2006	Kato et al.	
D548,377 S	8/2007	Markefka	
D549,363 S *	8/2007	Pfeiffer	D26/28
D549,858 S *	8/2007	Pfeiffer	D26/28
D550,380 S *	9/2007	Lin	D26/28
D552,769 S *	10/2007	Leclercq	D26/28
D553,268 S *	10/2007	Pfeiffer	D26/28

D553,269 S *	10/2007	Pfeiffer et al.	D26/28
D560,292 S	1/2008	Sato	
D565,211 S *	3/2008	Haller et al.	D26/28

* cited by examiner

Primary Examiner—Marcus A. Jackson

(74) *Attorney, Agent, or Firm*—Alexander Chen

(57) **CLAIM**

The ornamental design for a vehicle rear light unit, as shown and described.

DESCRIPTION

FIG. 1 is perspective view from the front right of a vehicle rear light unit. The drawings and descriptions represent the right side embodiment. The design also contemplates a mirror symmetrical embodiment on the left side of the vehicle. The dash line included denotes environment and is not part of the claimed design.

FIG. 2 is a front elevation view thereof;

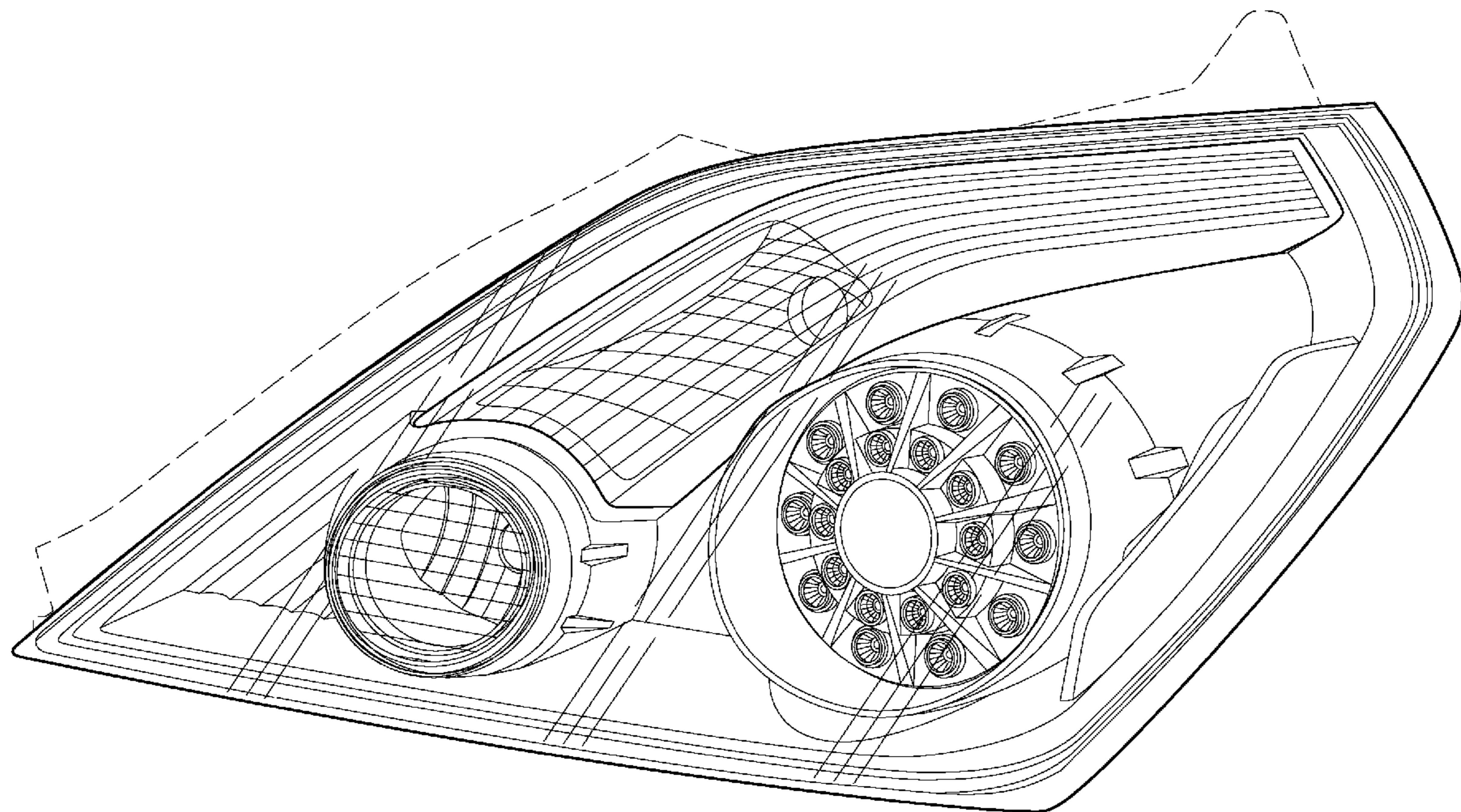
FIG. 3 is a right elevation view thereof;

FIG. 4 is a top view thereof;

FIG. 5 is an exploded perspective view from the front right thereof; and,

FIG. 6 is an exploded front elevation view thereof.

1 Claim, 6 Drawing Sheets



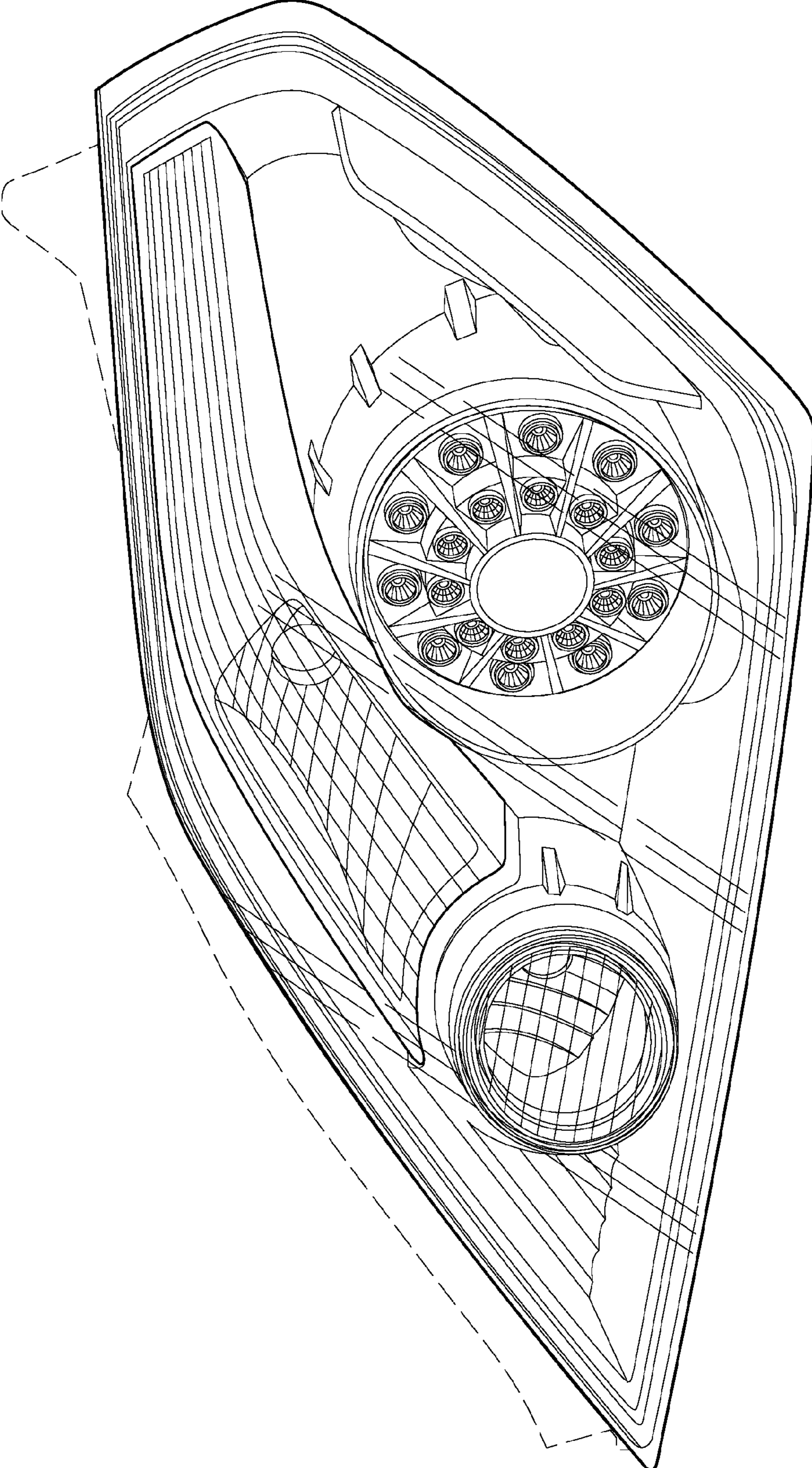


Fig. 1

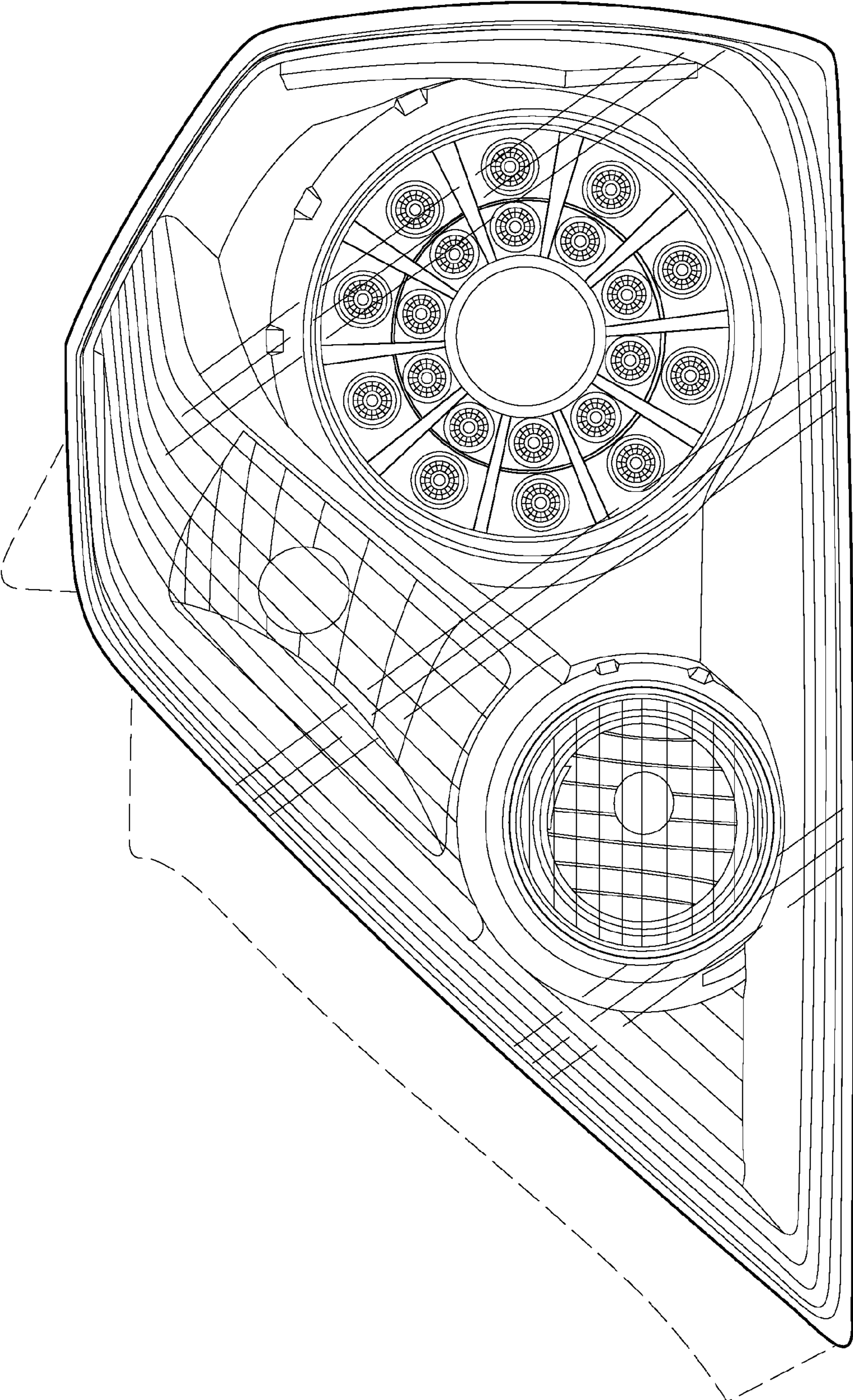


Fig. 2

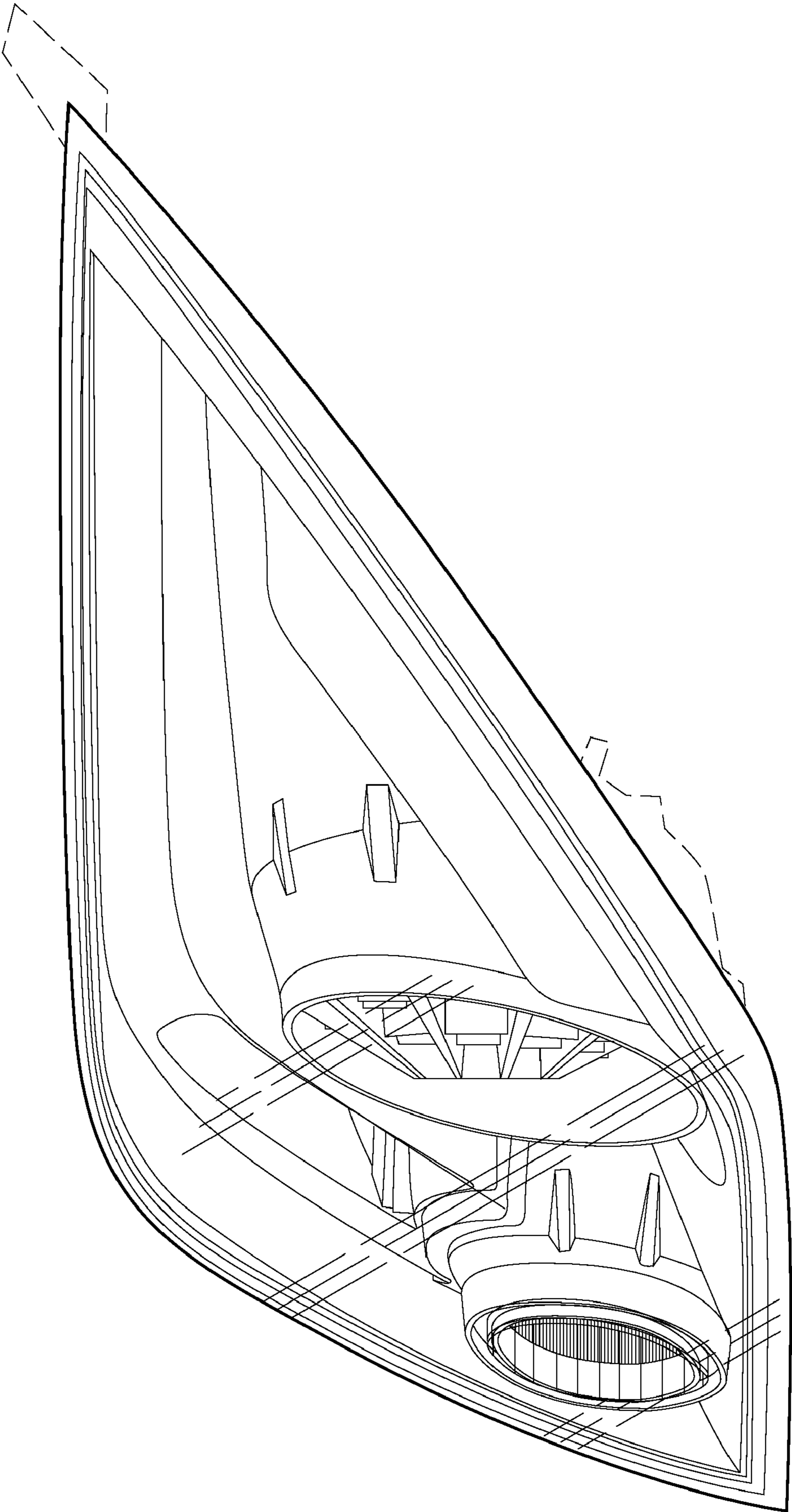


Fig. 3

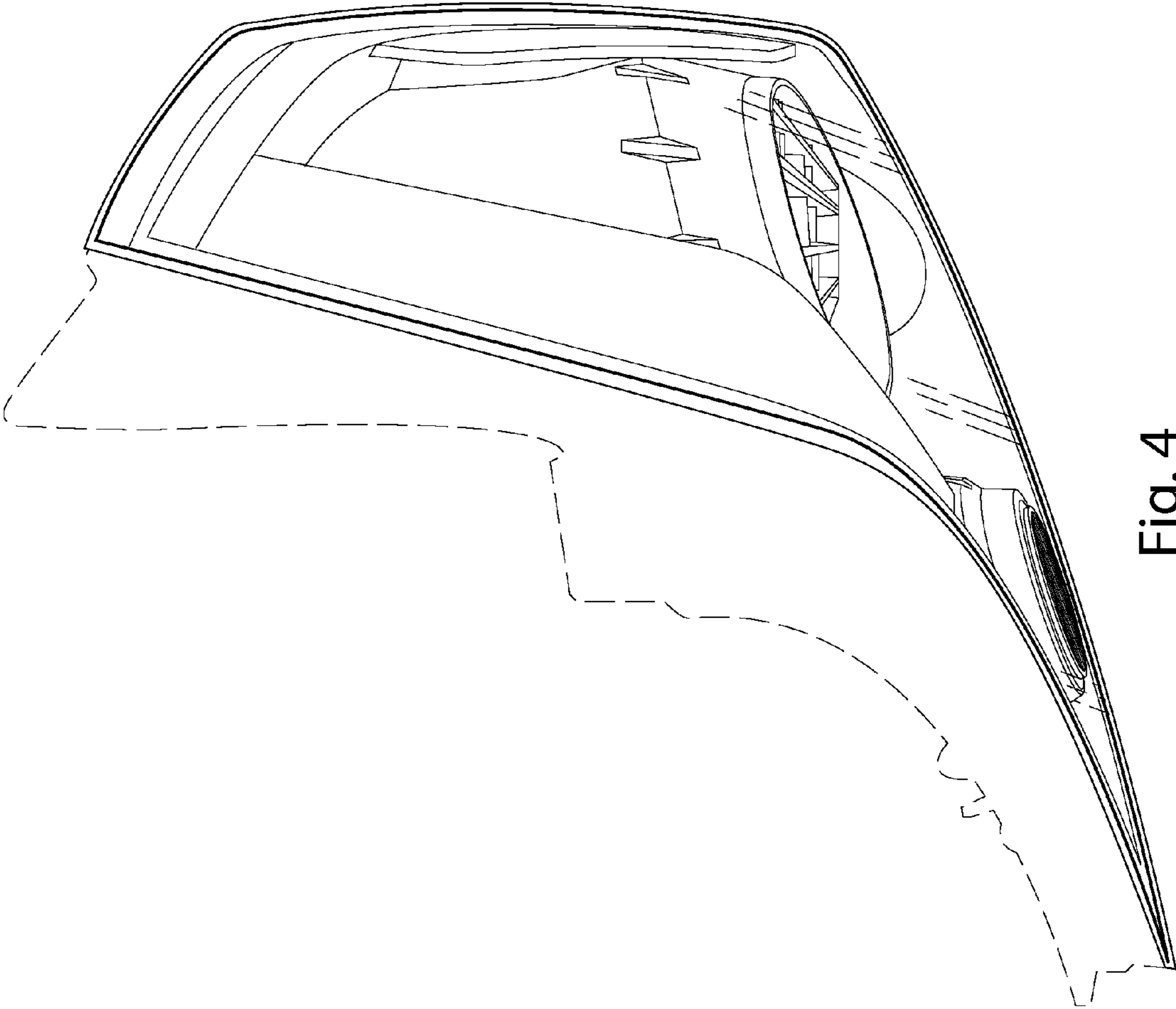


Fig. 4

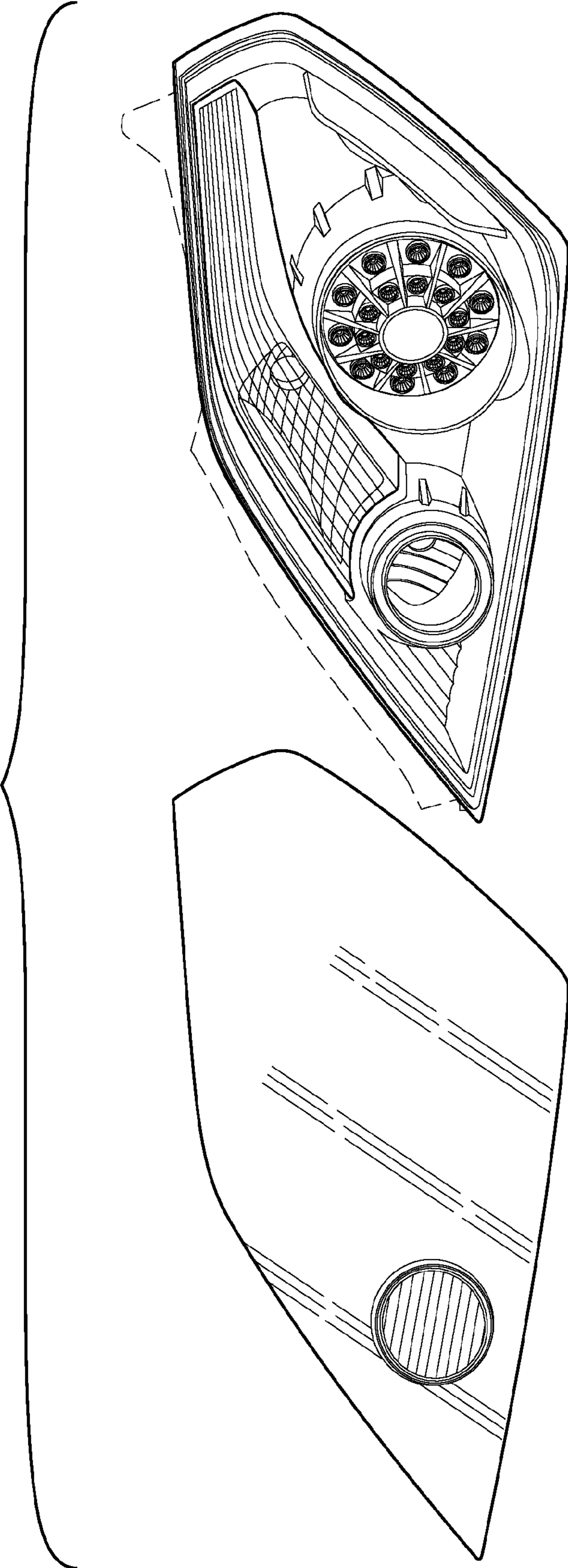


Fig. 5

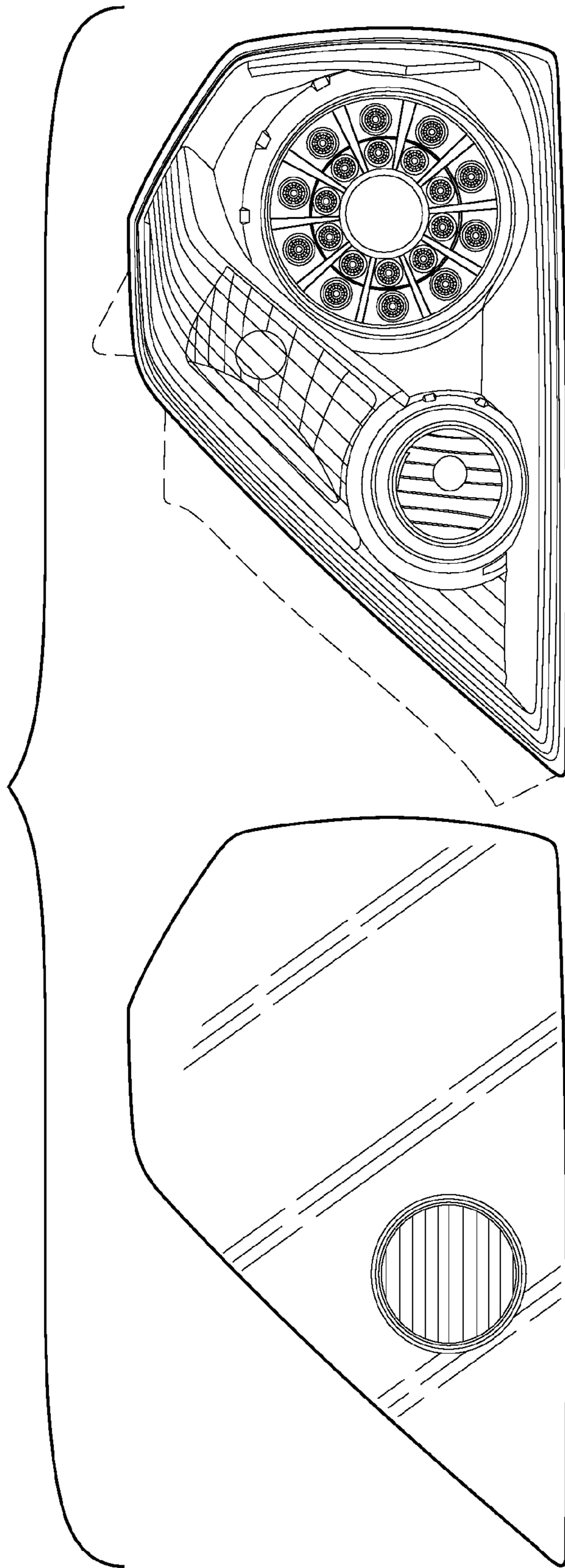


Fig. 6