



US00D592333S

(12) **United States Design Patent**
Hsu

(10) **Patent No.:** **US D592,333 S**

(45) **Date of Patent:** **** May 12, 2009**

(54) **VEHICLE REAR LIGHT UNIT**

(76) **Inventor:** **Hong Ming Hsu**, No. 152, Sec 2,
Funong St. East District, Tainan City
(TW) 701

(**) **Term:** **14 Years**

(21) **Appl. No.:** **29/329,525**

(22) **Filed:** **Dec. 16, 2008**

(51) **LOC (9) Cl.** **26-06**

(52) **U.S. Cl.** **D26/28**

(58) **Field of Classification Search** D26/28-36;
362/459-468, 475-478, 485-487

See application file for complete search history.

(56) **References Cited**

U.S. PATENT DOCUMENTS

D526,427 S	8/2006	Morioka	
D528,232 S	9/2006	Nakahara	
D528,680 S	9/2006	Oda	
D528,684 S	9/2006	Kato et al.	
D548,377 S	8/2007	Markefka et al.	
D549,363 S *	8/2007	Pfeiffer	D26/28
D549,858 S *	8/2007	Pfeiffer	D26/28
D550,380 S *	9/2007	Lin	D26/28

D552,769 S * 10/2007 Leclercq D26/28

D553,268 S * 10/2007 Pfeiffer D26/28

D553,269 S * 10/2007 Pfeiffer et al. D26/28

D560,292 S 1/2008 Sato

D565,211 S * 3/2008 Haller et al. D26/28

* cited by examiner

Primary Examiner—Marcus A. Jackson

(74) *Attorney, Agent, or Firm*—Alexander Chen

(57) **CLAIM**

The ornamental design for a vehicle rear light unit, as shown and described.

DESCRIPTION

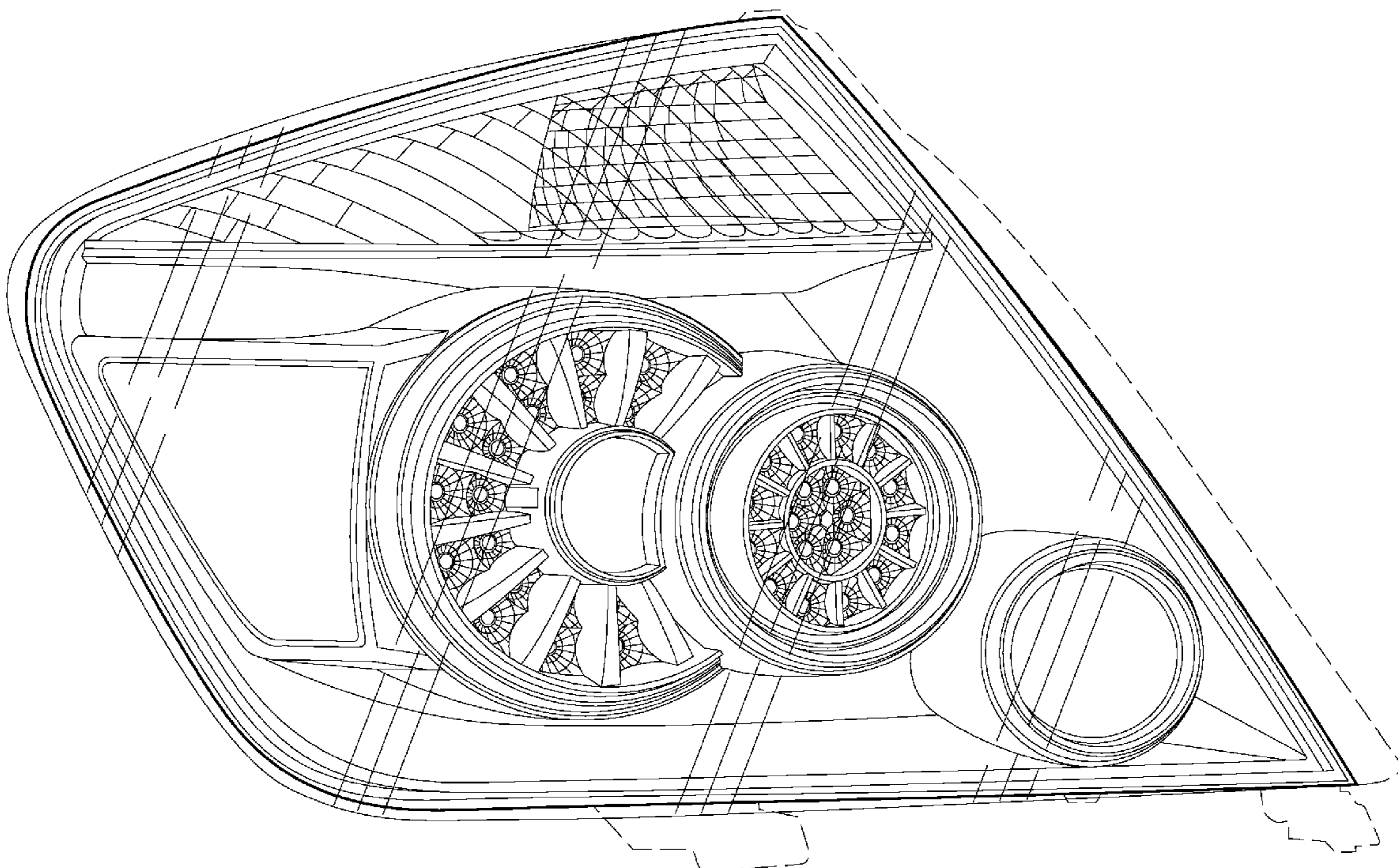
FIG. 1 is perspective view from the front left of a vehicle rear light unit. The drawings and descriptions represent the left side embodiment. The design also contemplates a mirror symmetrical embodiment on the right side of the vehicle. The dash line included denotes environment and is not part of the claimed design

FIG. 2 is a front elevation view thereof;

FIG. 3 is a left elevation view thereof, and,

FIG. 4 is a top view thereof.

1 Claim, 4 Drawing Sheets



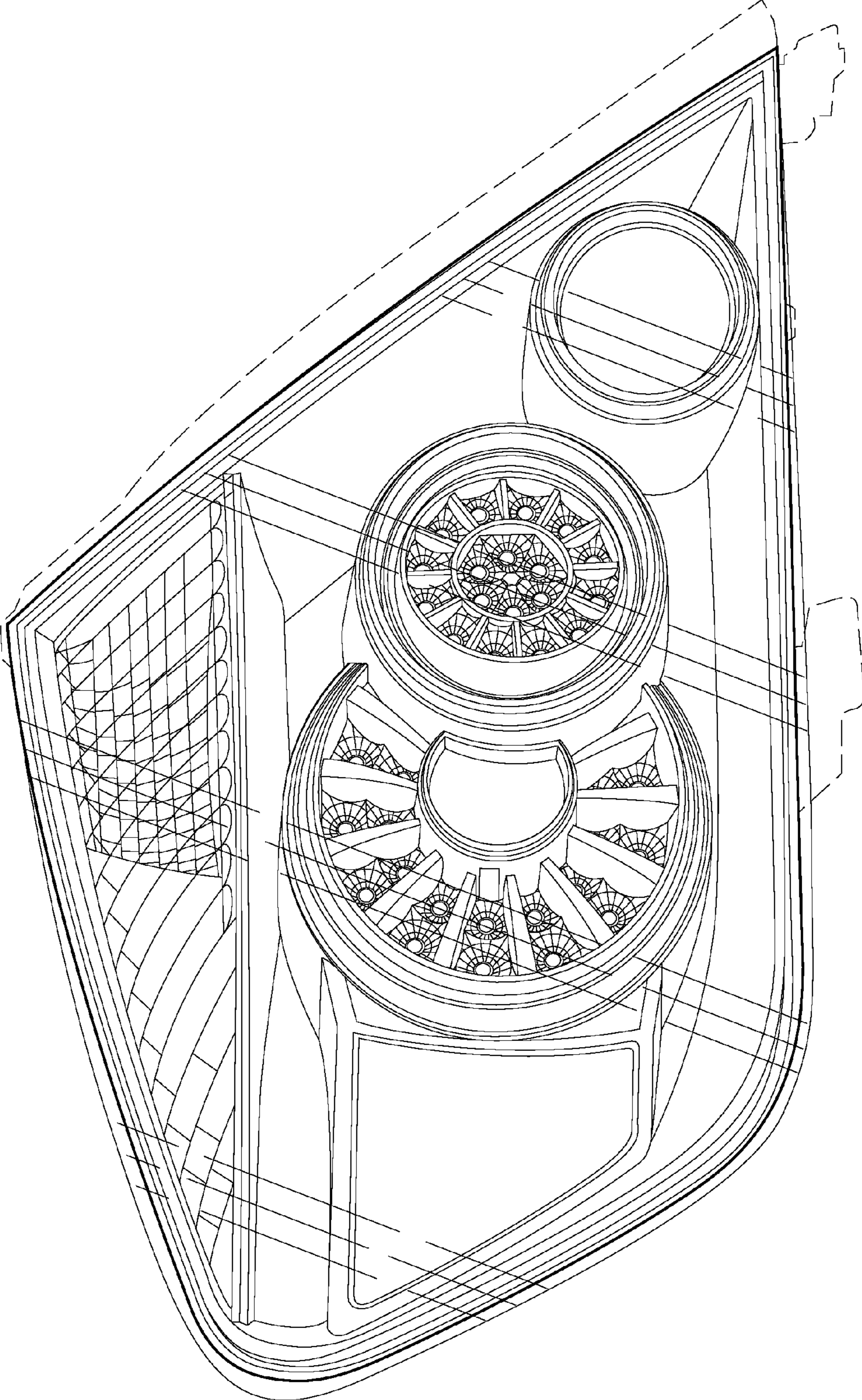


Fig. 1

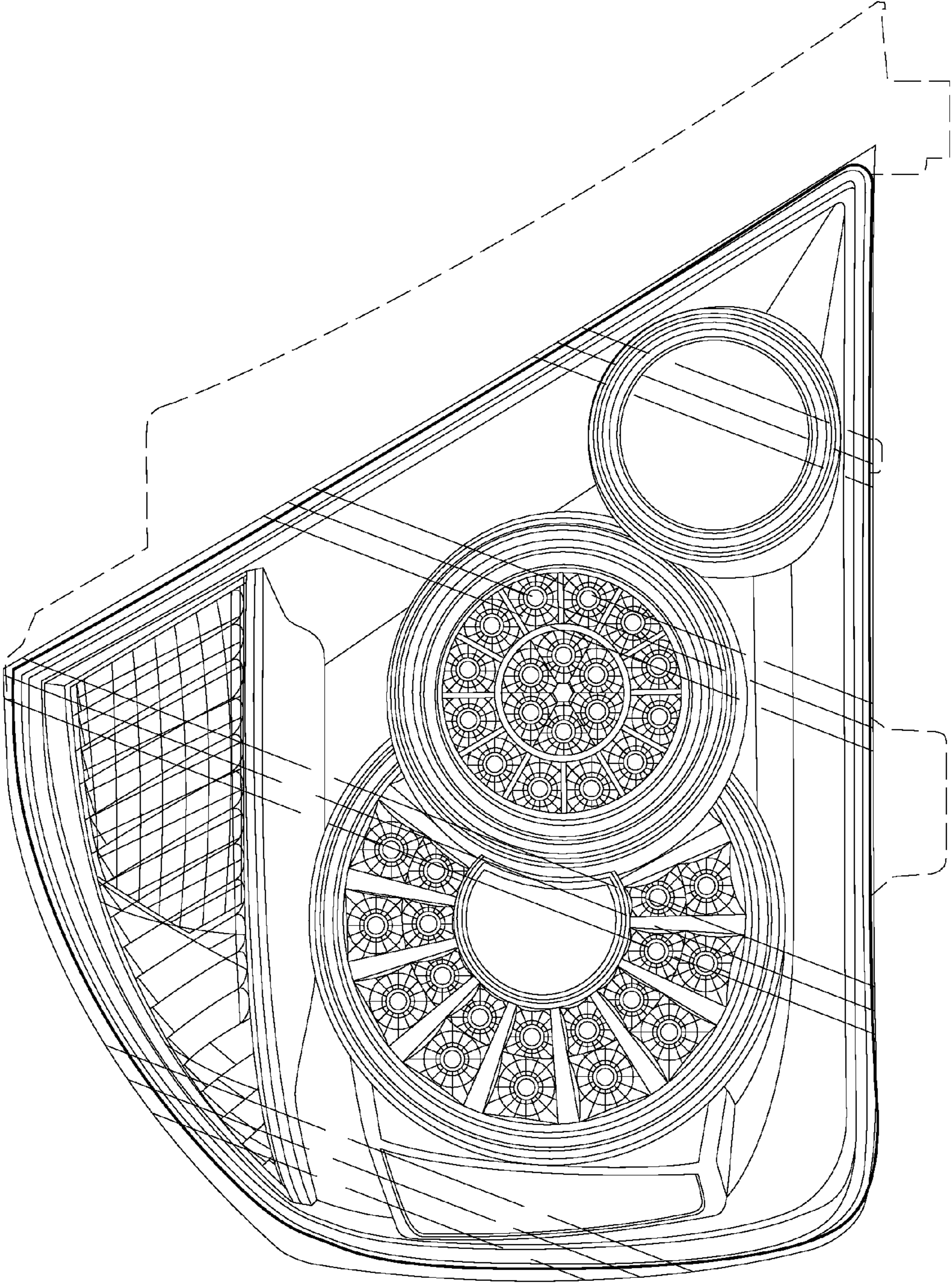


Fig. 2

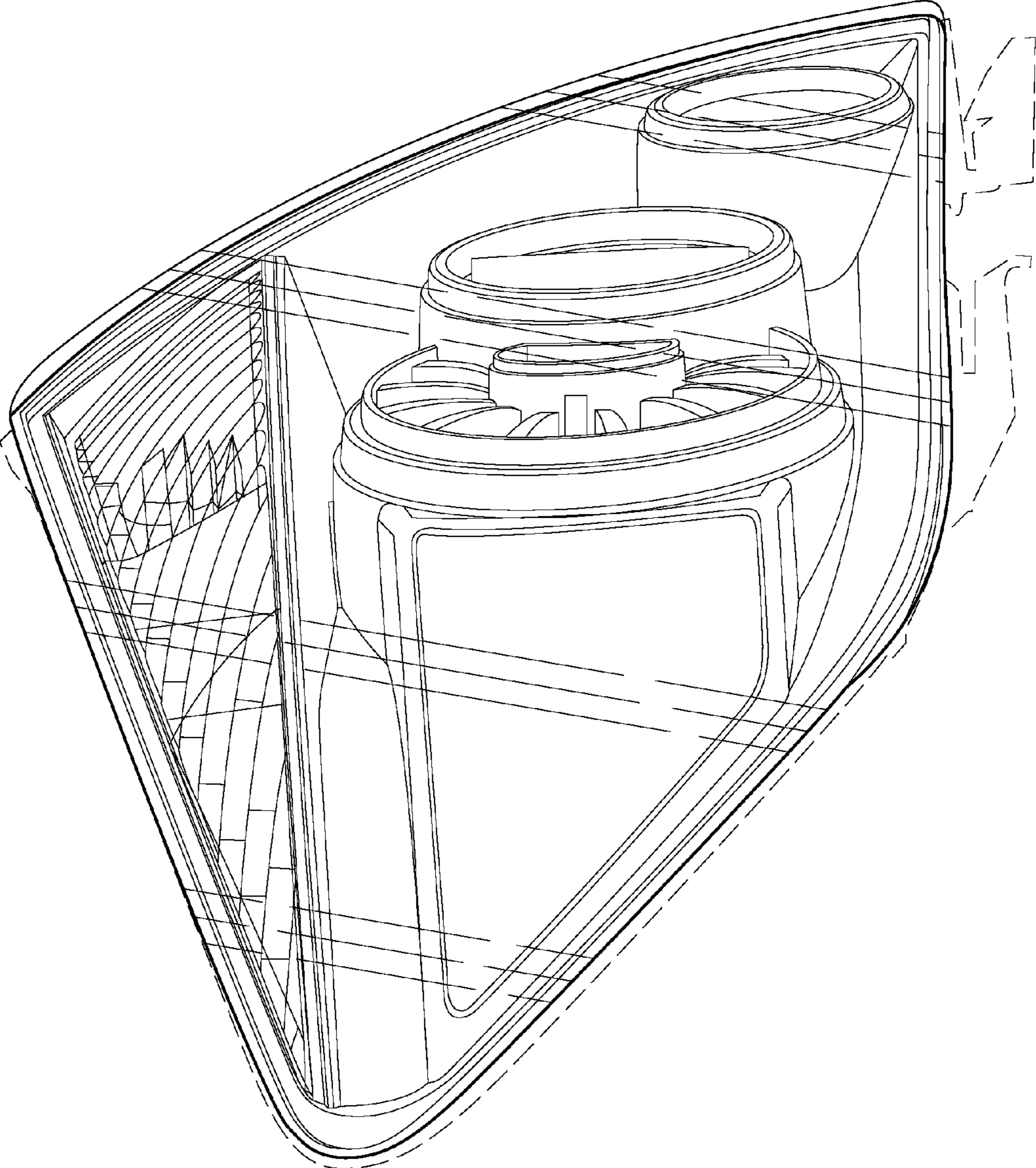


Fig. 3

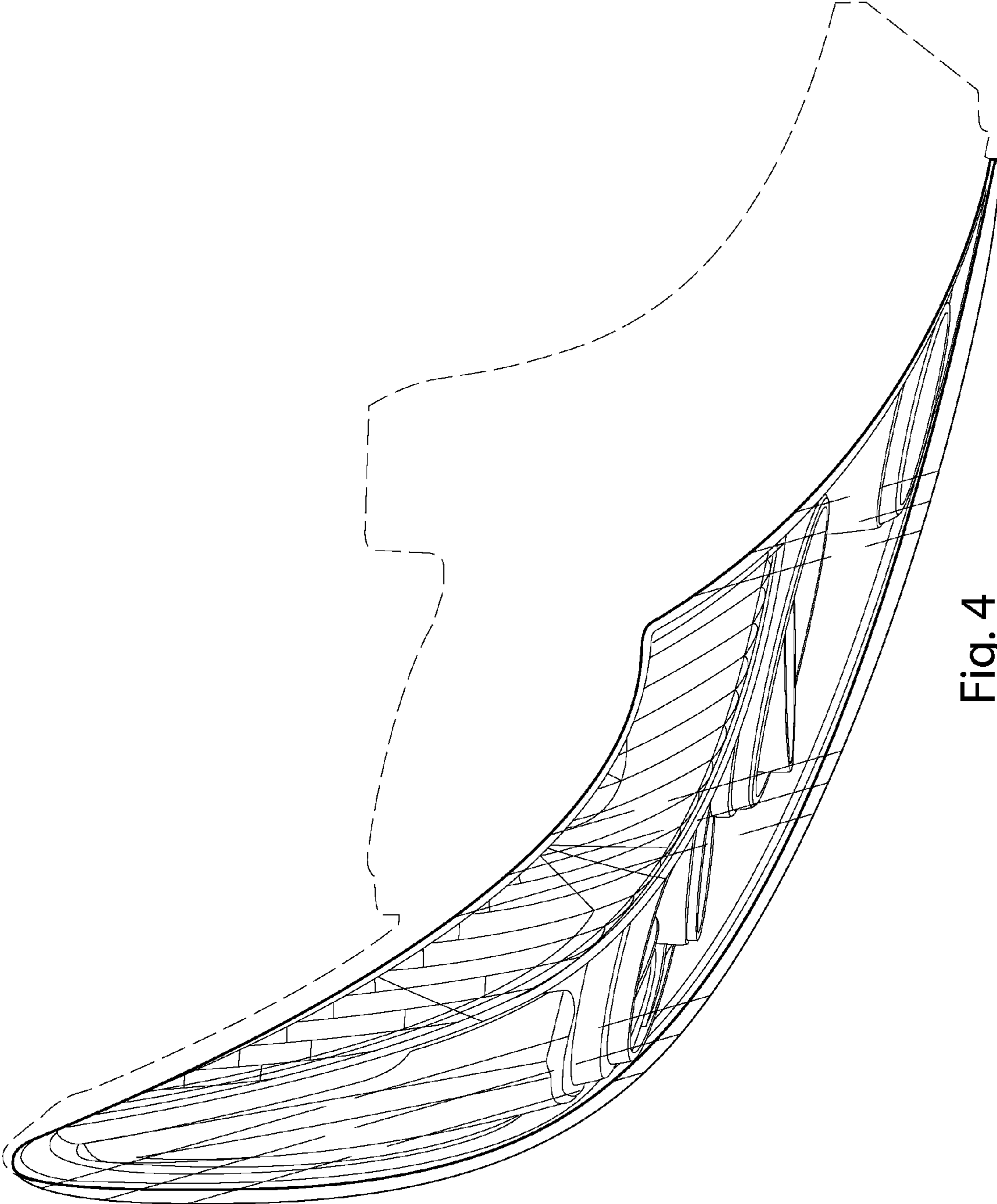


Fig. 4