

US00D592324S

(12) **United States Design Patent**
Beigel et al.

(10) **Patent No.:** **US D592,324 S**
(45) **Date of Patent:** **** May 12, 2009**

(54) **HEADLIGHT OF A TRUCK VEHICLE**

(75) Inventors: **David J. Beigel**, Payne, OH (US);
Hector R. Kiely, Fort Wayne, IN (US);
Manjeet Kohli, Dearborn, MI (US);
Franz Mueller, Fort Wayne, IN (US); **L.**
David Allendorph, Fort Wayne, IN
(US); **Tory A. Snetsinger**, Fort Wayne,
IN (US)

(73) Assignee: **International Truck Intellectual**
Property Company, LLC, Warrenville,
IL (US)

(**) Term: **14 Years**

(21) Appl. No.: **29/296,551**

(22) Filed: **Oct. 23, 2007**

(51) **LOC (9) Cl.** **26-06**

(52) **U.S. Cl.** **D26/28**

(58) **Field of Classification Search** D26/28-36;
362/459-468, 475-478, 485-487
See application file for complete search history.

(56) **References Cited**

U.S. PATENT DOCUMENTS

D437,574 S 2/2001 Beigel
D445,361 S 7/2001 Tirey et al.
D460,023 S 7/2002 Beigel

D465,749 S 11/2002 Beigel
D527,123 S 8/2006 Beigel et al.
D529,223 S 9/2006 Beigel et al.
D536,287 S 2/2007 Beigel et al.
D539,947 S 4/2007 Lee et al.
D542,715 S 5/2007 Beigel et al.
D550,380 S * 9/2007 Lin D26/28
D556,654 S 12/2007 Lee et al.
D558,643 S 1/2008 Beigel et al.
D560,832 S * 1/2008 Hsu D26/28
D561,358 S * 2/2008 Tachibana D26/28
D561,359 S * 2/2008 Hsu D26/28

* cited by examiner

Primary Examiner—Marcus A. Jackson

(74) *Attorney, Agent, or Firm*—Gerald W. Askew; Mark C.
Bach; Jeffrey P. Calfa

(57) **CLAIM**

The ornamental design for a headlight of a truck vehicle, as shown and described.

DESCRIPTION

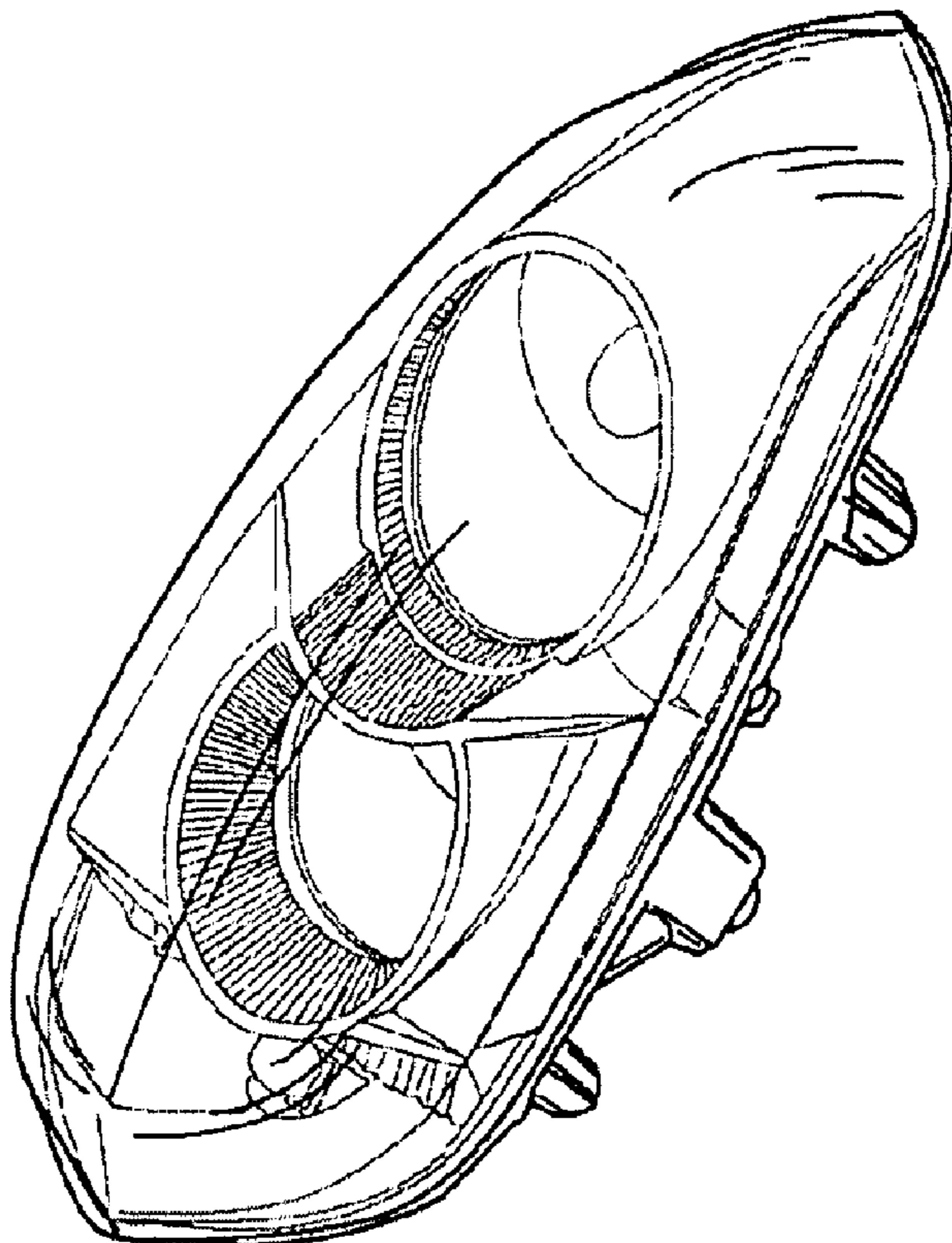
FIG. 1 is a left, front perspective view of a headlight of a truck vehicle showing our new design;

FIG. 2 is a front view thereof;

FIG. 3 is a top view thereof; and,

FIG. 4 is a left view thereof.

1 Claim, 2 Drawing Sheets



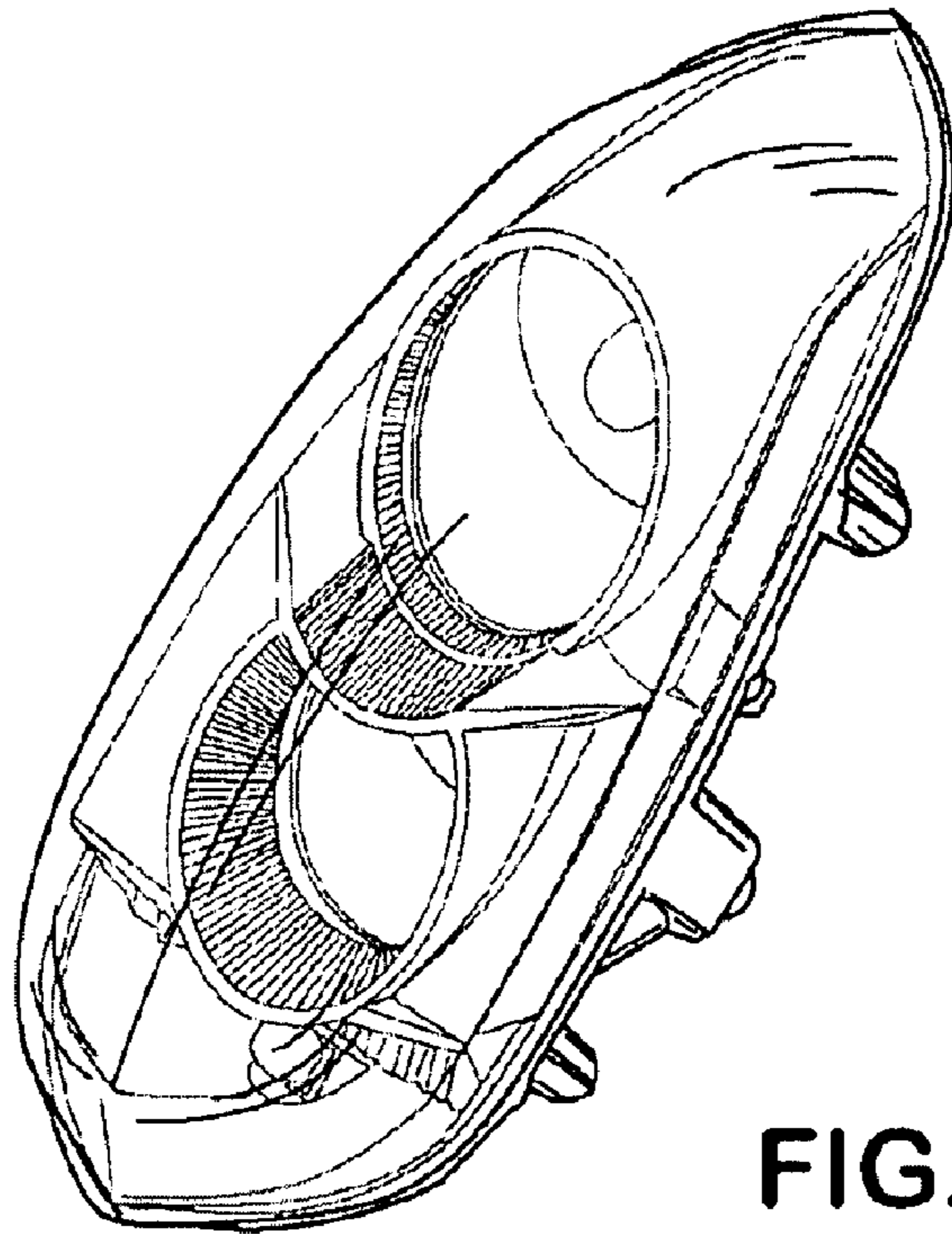


FIG. 1

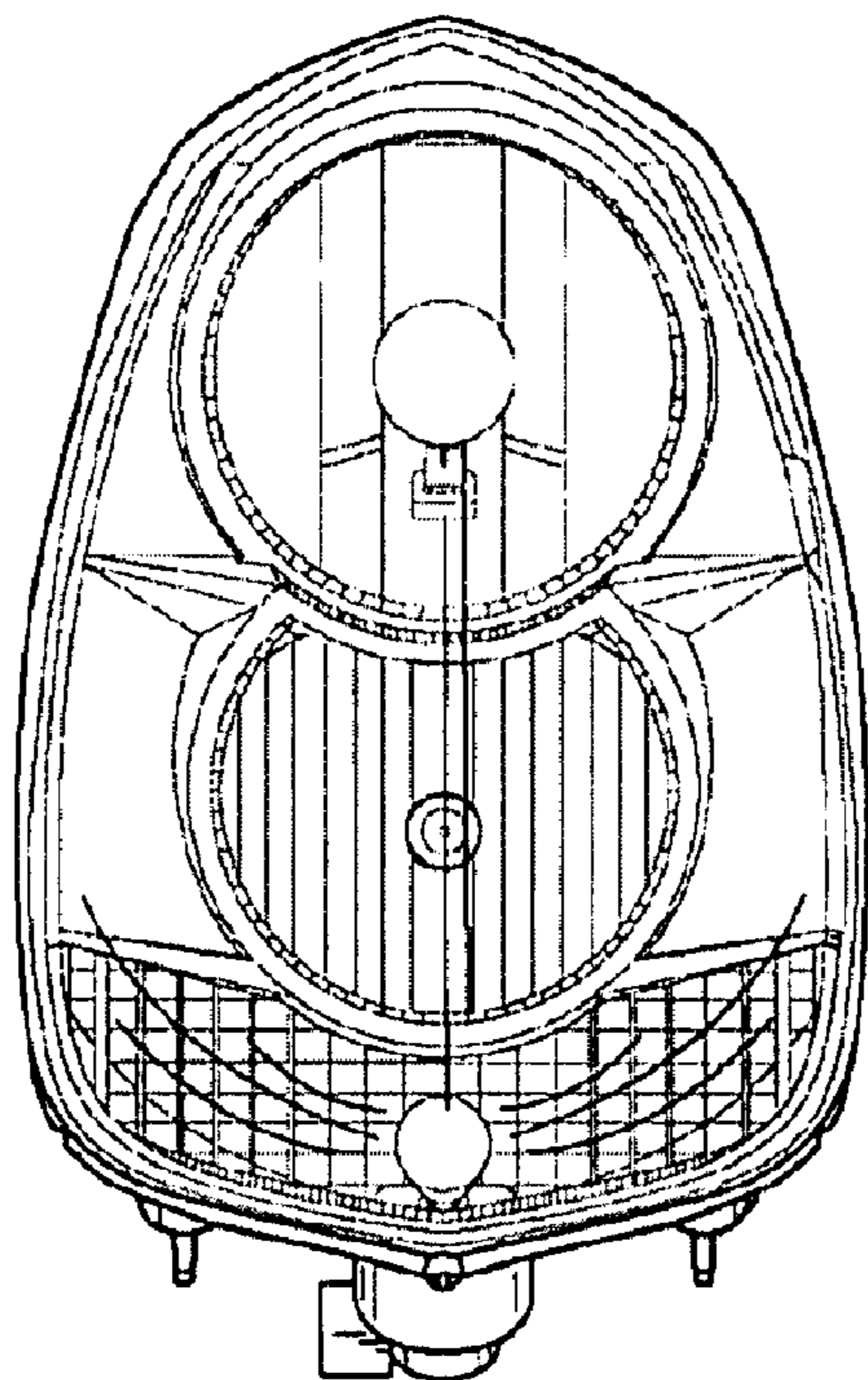


FIG. 2

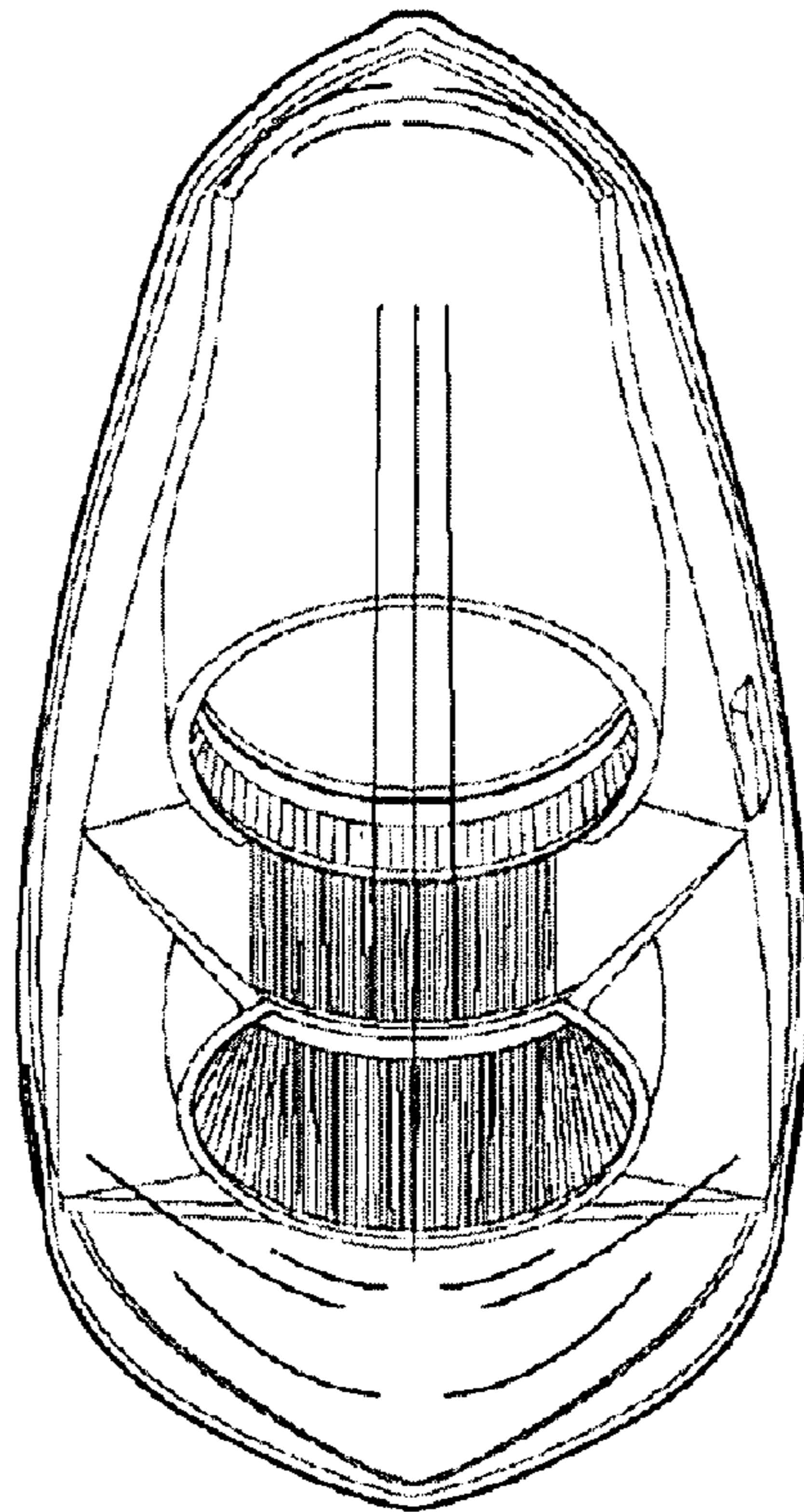


FIG. 3

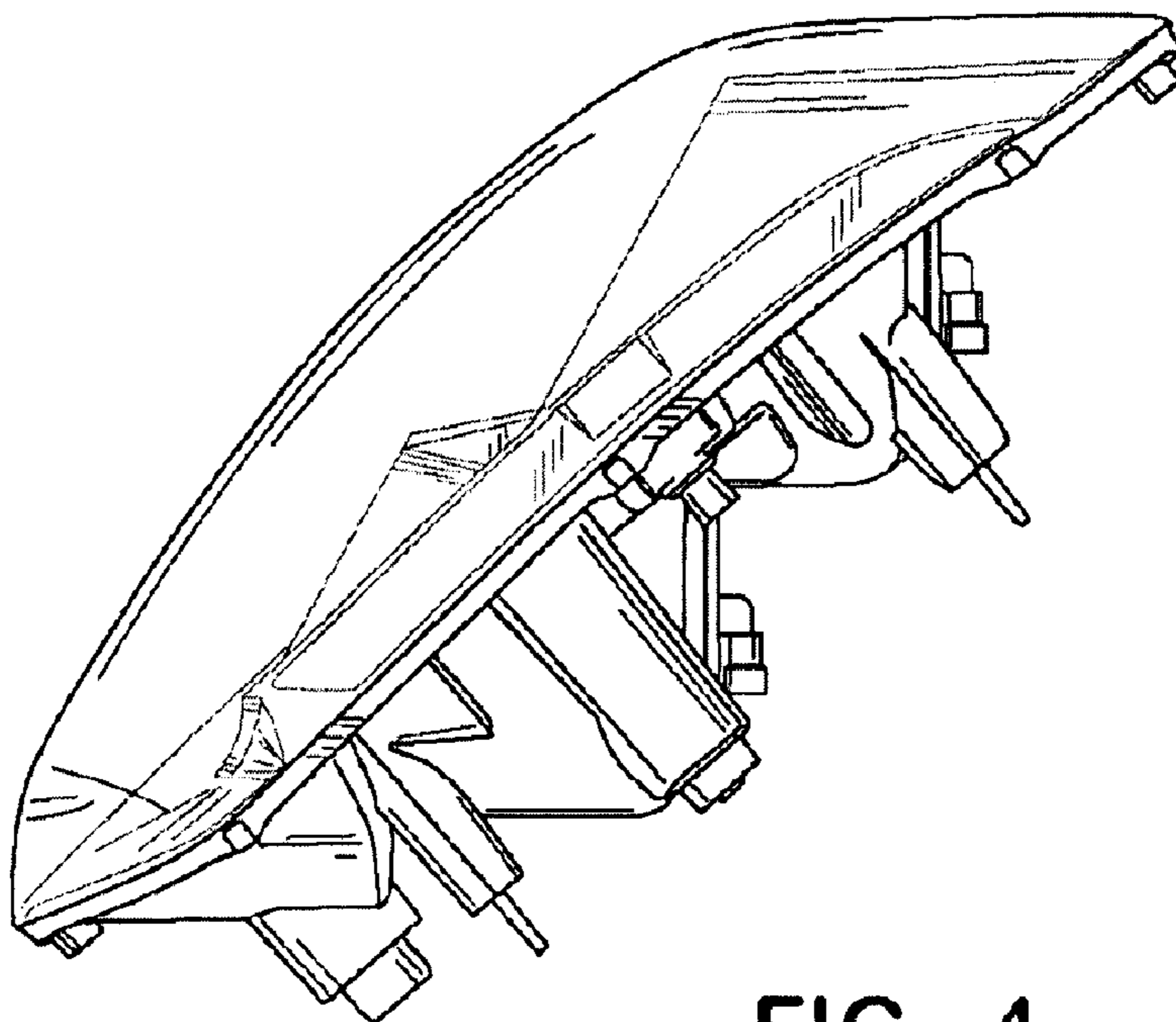


FIG. 4