



US00D592321S

(12) **United States Design Patent**
Maxik et al.

(10) **Patent No.:** **US D592,321 S**
(45) **Date of Patent:** **** May 12, 2009**

(54) **LED LIGHT BULB**

(75) Inventors: **Fredric S. Maxik**, Indialantic, FL (US);
Addy S. Widjaja, Palm Bay, FL (US);
Wei Sun, Melbourne, FL (US)

(73) Assignee: **Lighting Science Group Corporation**,
Westampton, NJ (US)

(**) Term: **14 Years**

(21) Appl. No.: **29/321,496**

(22) Filed: **Jul. 17, 2008**

(51) **LOC (9) Cl.** **26-04**

(52) **U.S. Cl.** **D26/2**

(58) **Field of Classification Search** D26/1-4;
313/313, 315, 317, 318, 493; 315/52, 53,
315/56, 57, 58

See application file for complete search history.

(56) **References Cited**

U.S. PATENT DOCUMENTS

D566,300 S * 4/2008 Lo D26/2

D568,498 S * 5/2008 Degenhard et al. D26/2

D570,504 S * 6/2008 Maxik et al. D26/2

* cited by examiner

Primary Examiner—Marcus A. Jackson

(74) *Attorney, Agent, or Firm*—Cantor Colburn LLP

(57) **CLAIM**

The ornamental design for an LED light bulb, as shown and described.

DESCRIPTION

FIG. 1 is a perspective view of a first embodiment of an LED light bulb depicting our design;

FIG. 2 is a left side view thereof, wherein the right side view is a mirror image of said left side view;

FIG. 3 is a top plan view thereof;

FIG. 4 is a bottom plan view thereof;

FIG. 5 is an exploded perspective view thereof;

FIG. 6 is a perspective view of a second embodiment of FIG. 1, the only difference being the configuration of the conical base, it being understood that all other surfaces are the same as those of the first embodiment;

FIG. 7 is a left side view of a second embodiment of FIG. 2, the only difference being the configuration of the conical base, wherein the right side view is a mirror image of said left side view thereof;

FIG. 8 is a top plan view of a second embodiment of FIG. 3, the only difference being the configuration of the conical base thereof;

FIG. 9 is a bottom plan view of a second embodiment of FIG. 4, the only difference being the configuration of the conical base thereof; and,

FIG. 10 is an exploded perspective view of a second embodiment of FIG. 5, the only difference being the configuration of the conical base thereof.

1 Claim, 5 Drawing Sheets

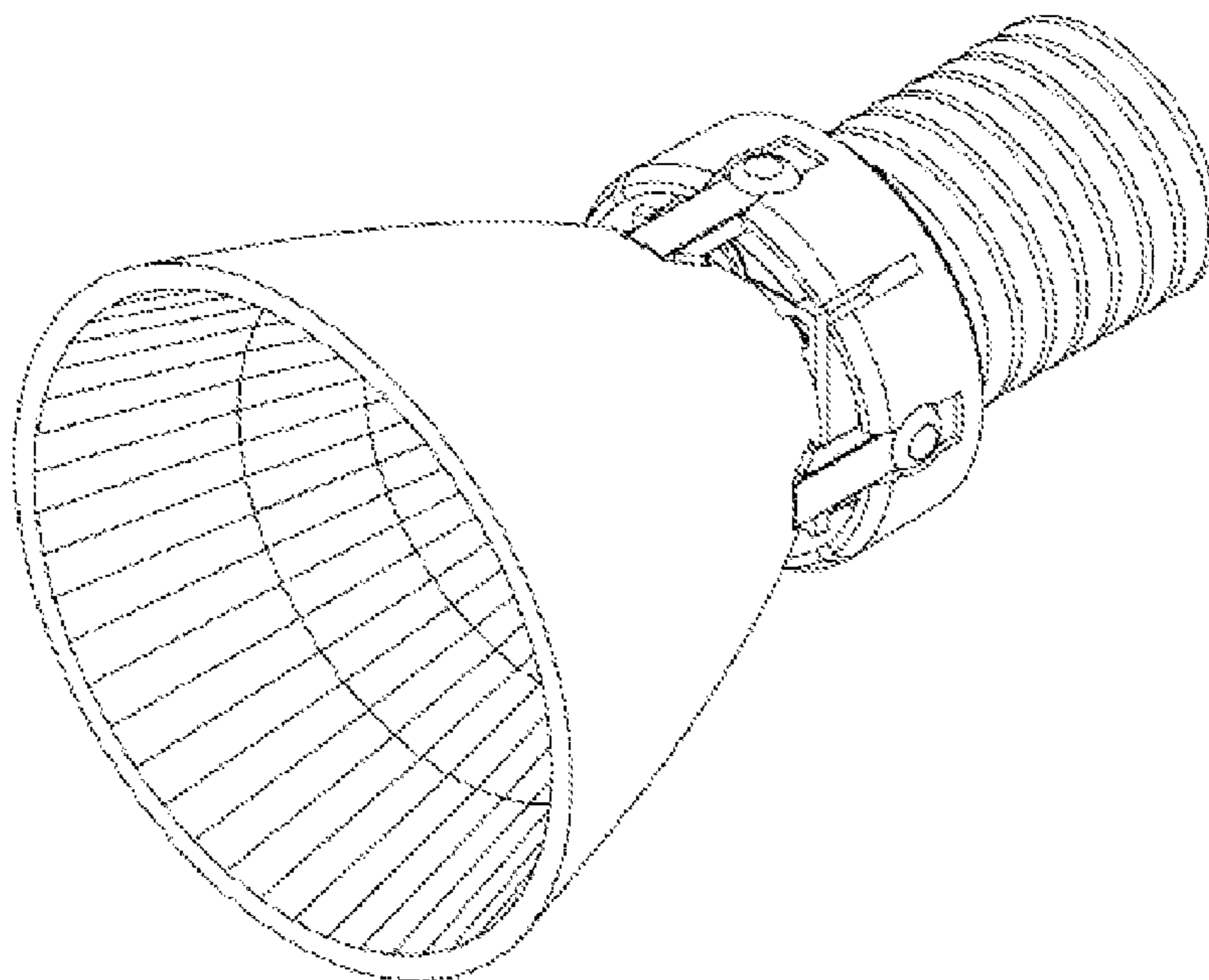


Fig. 1

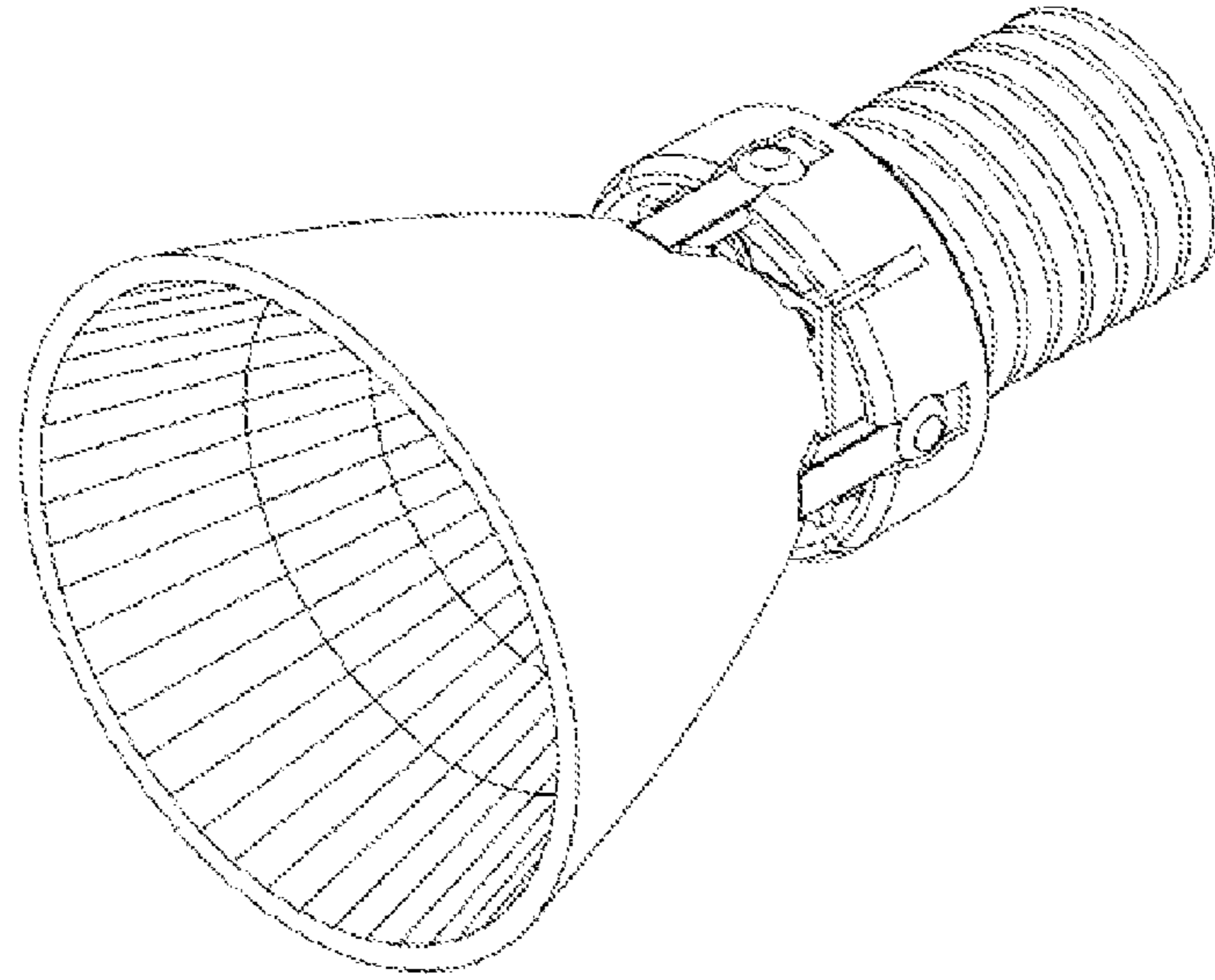


Fig. 2

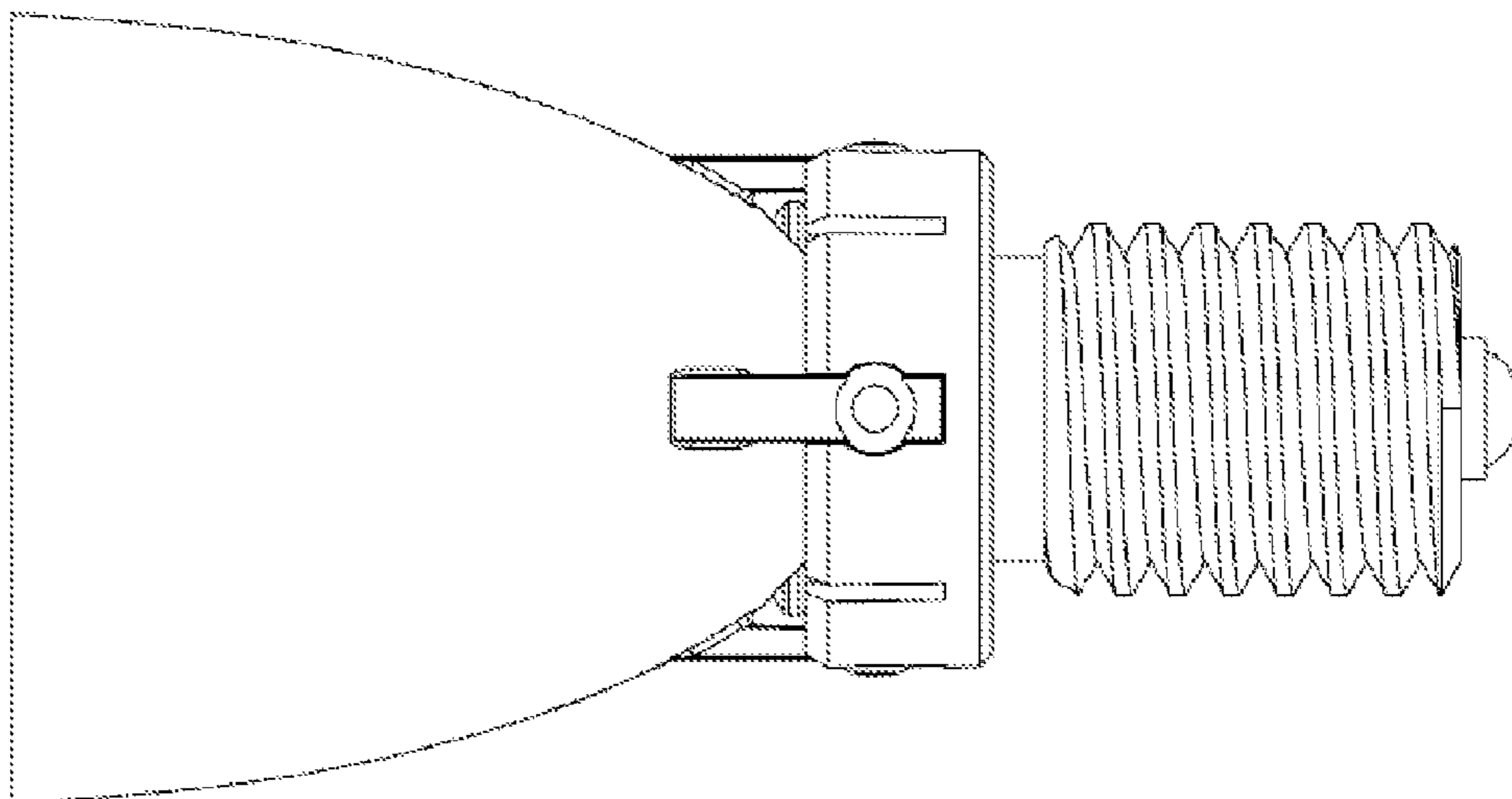


Fig. 3

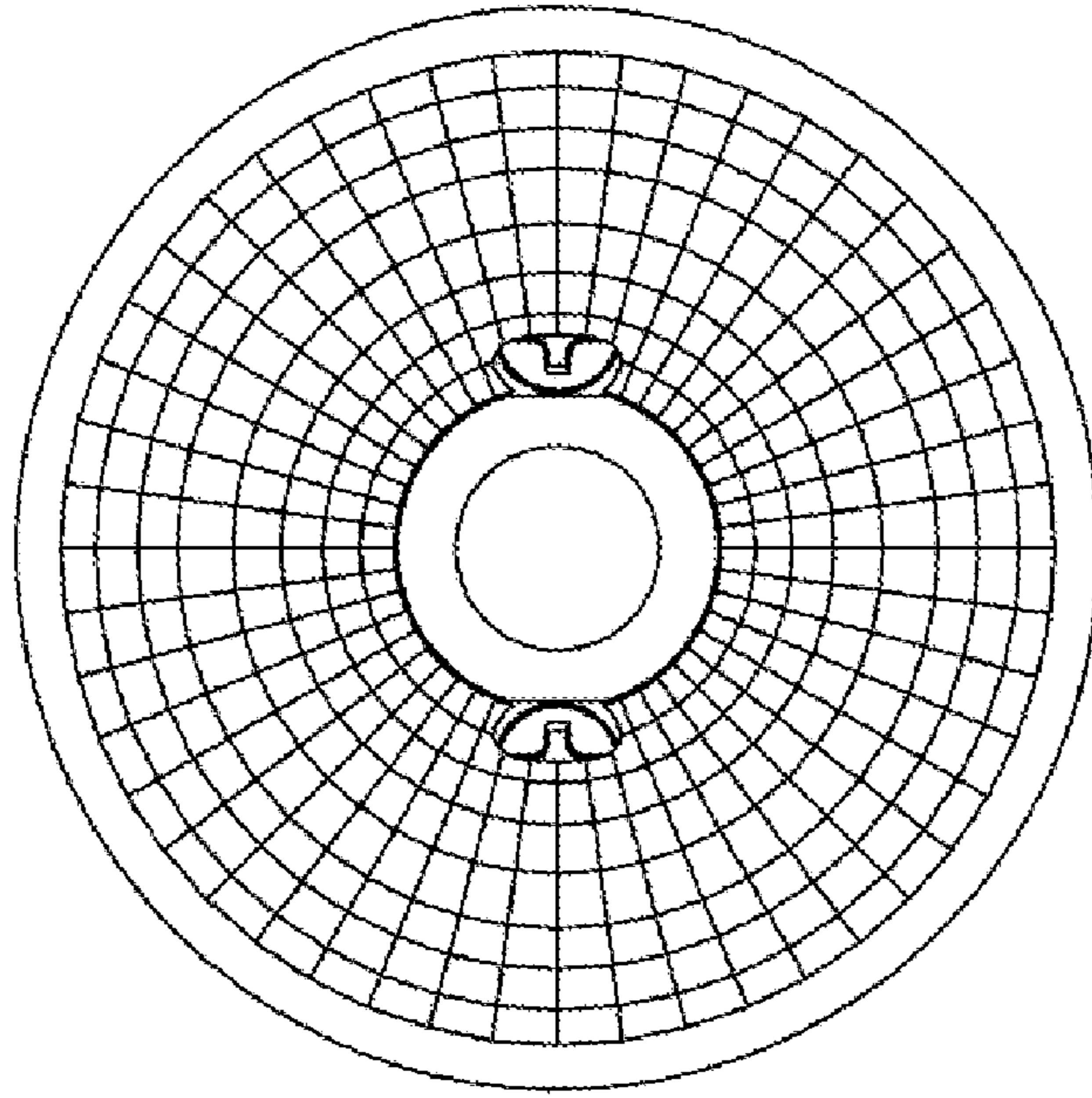


Fig. 4

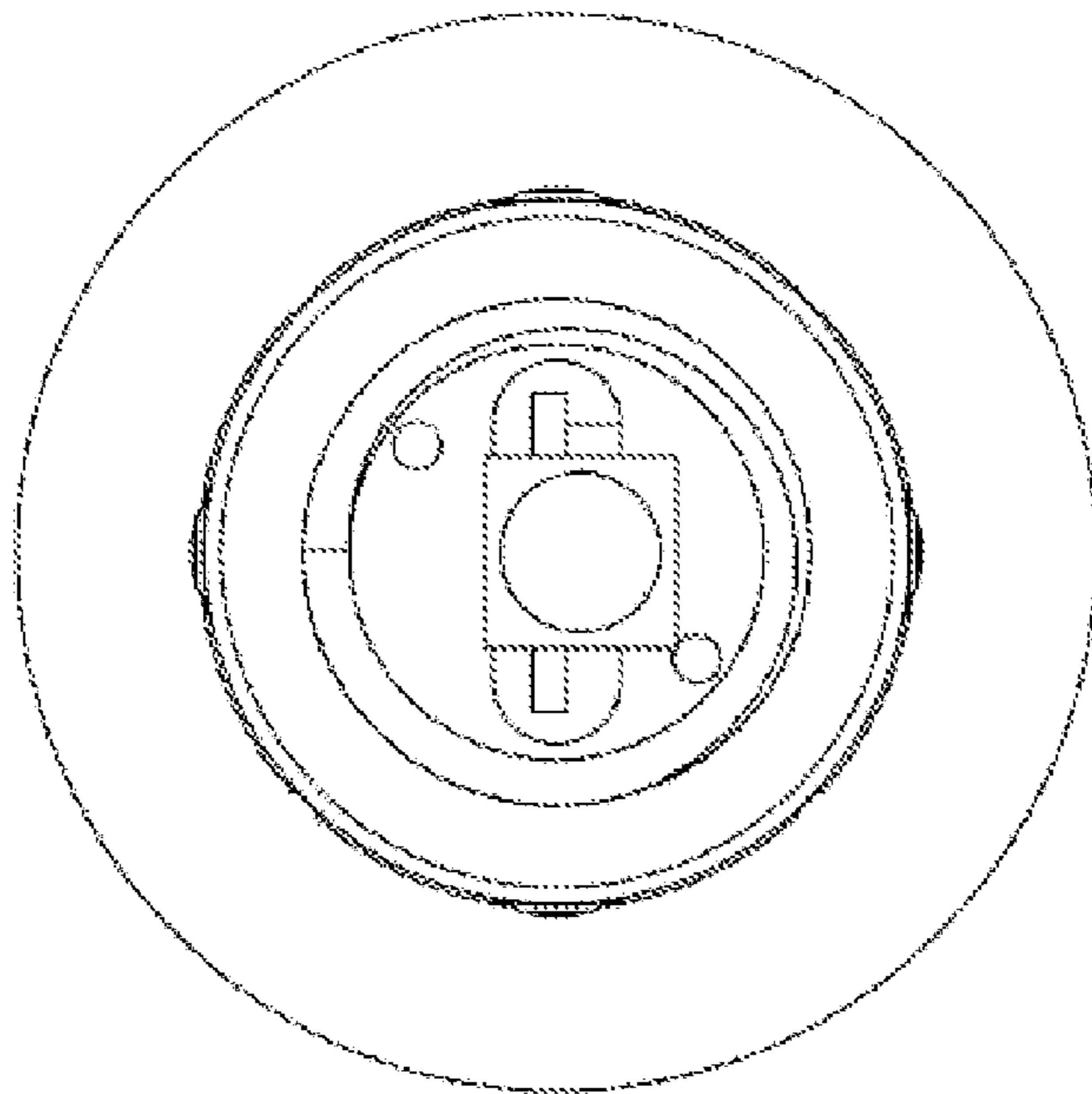


Fig. 5

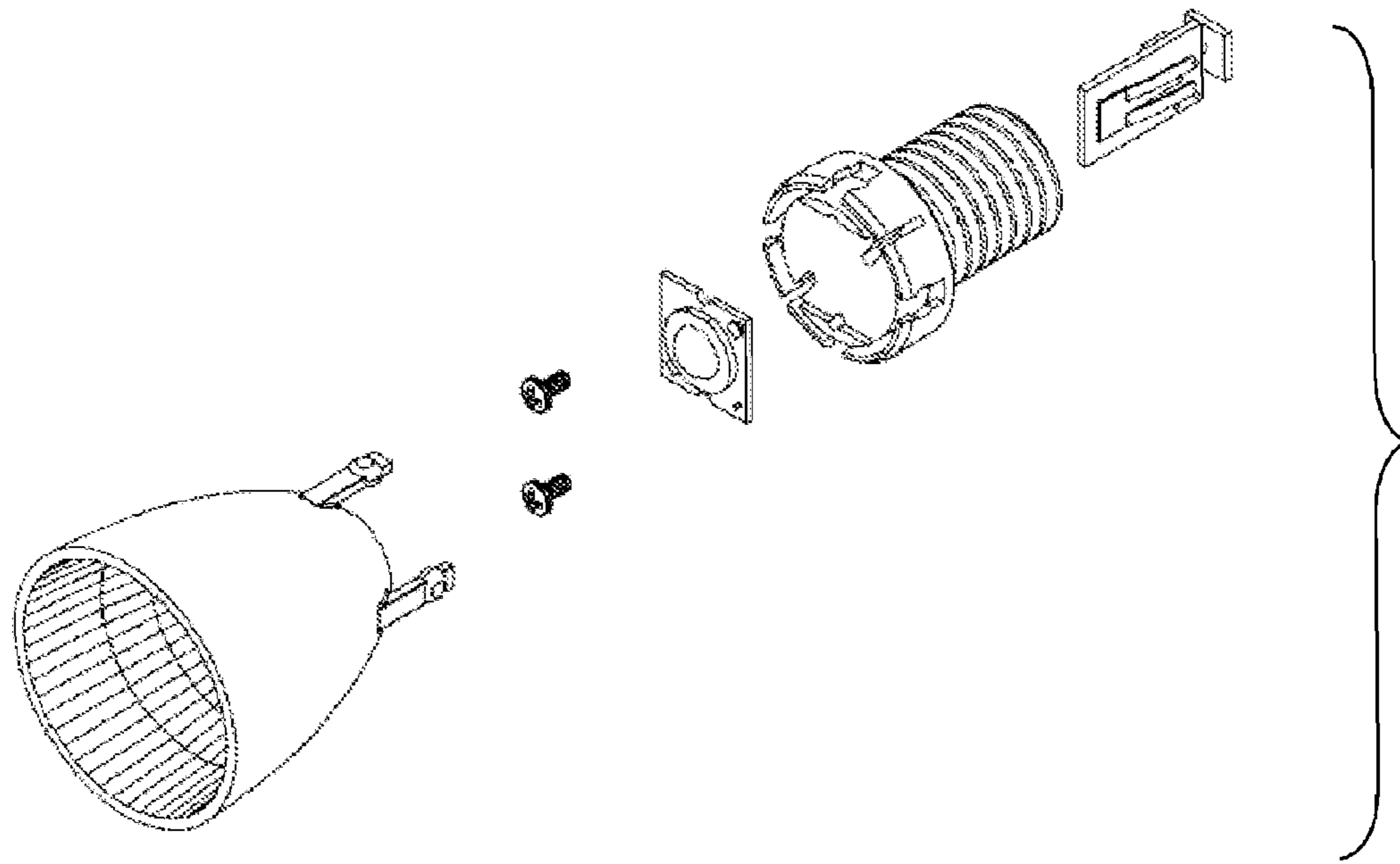


Fig. 6

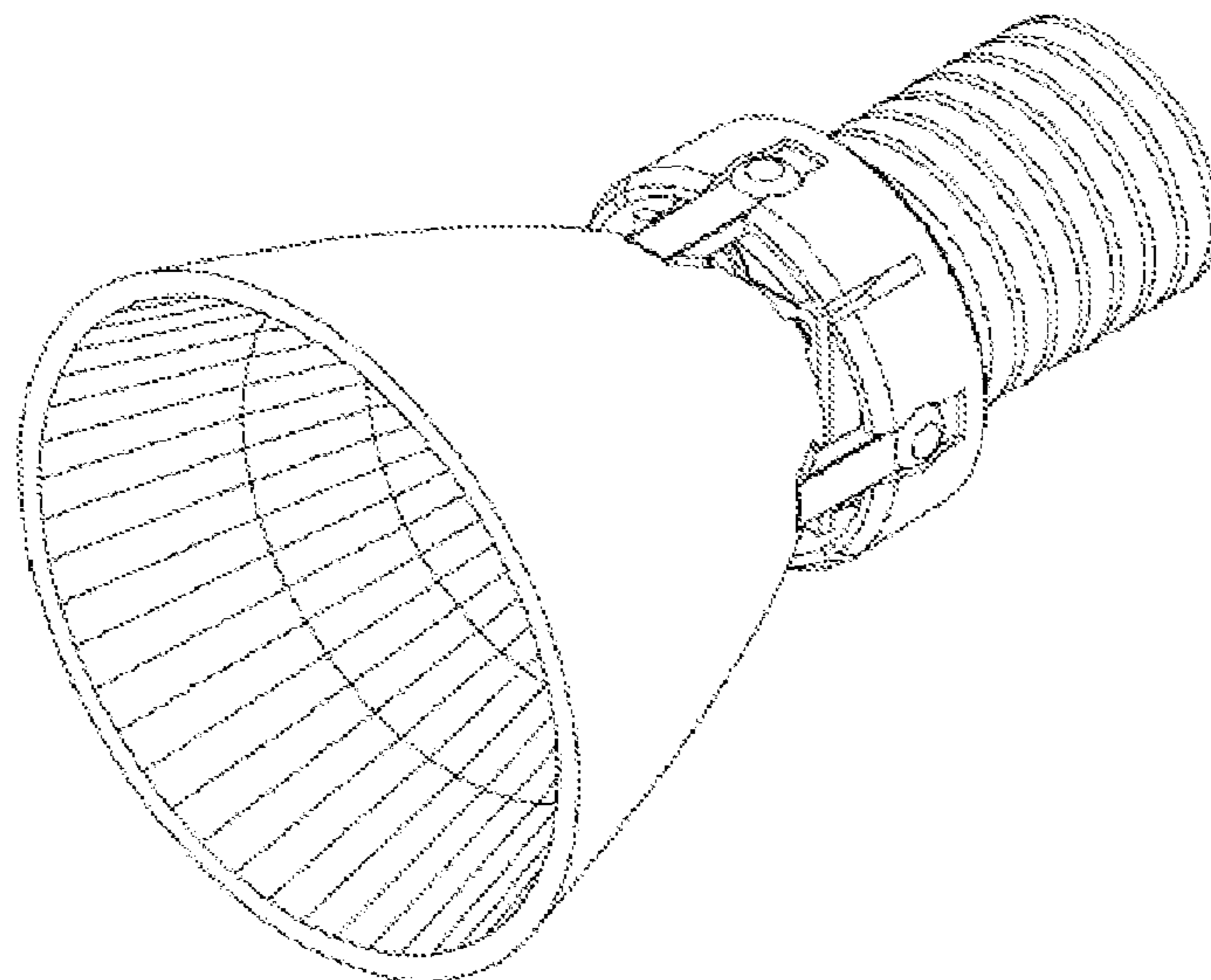


Fig. 7

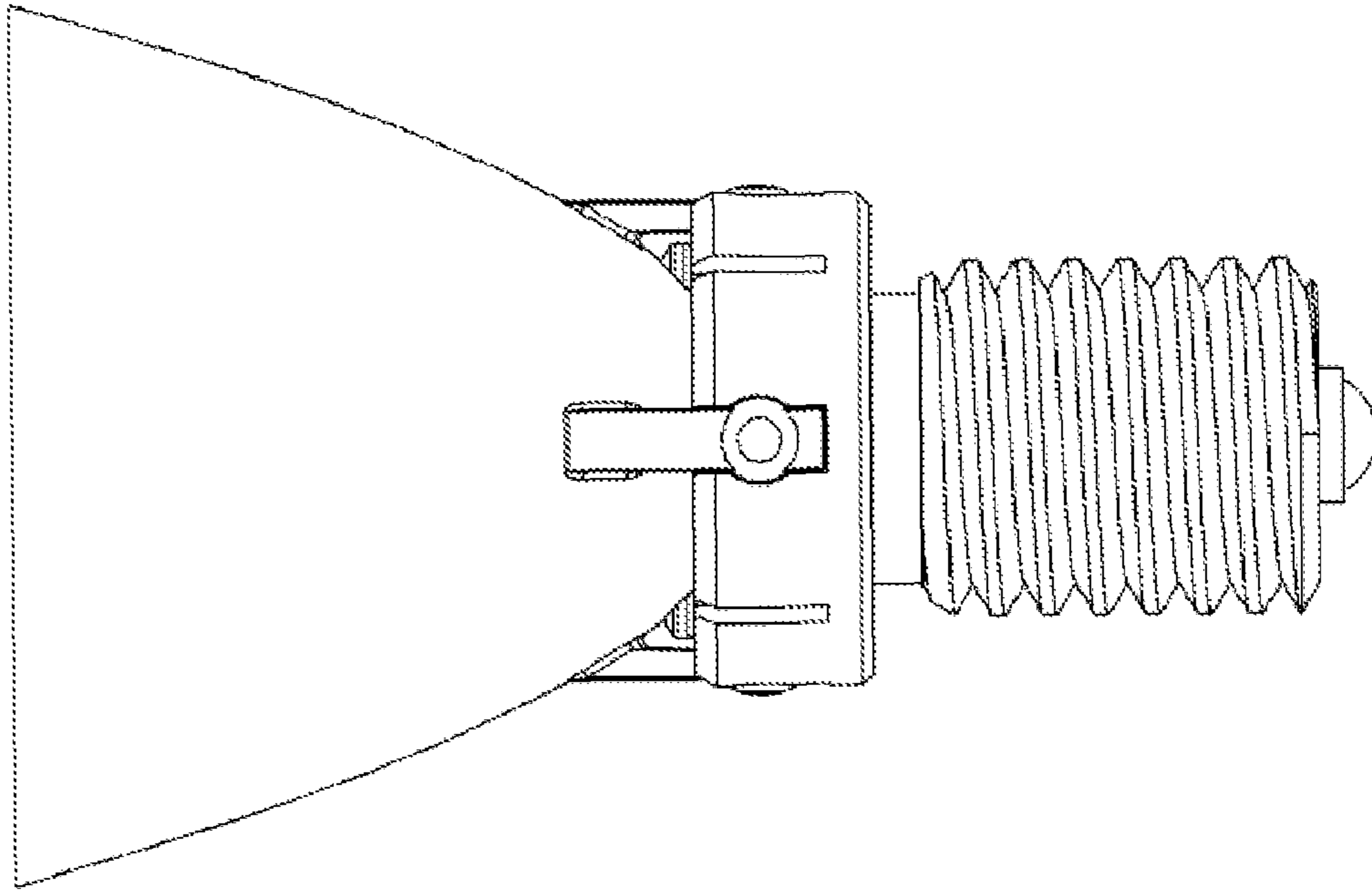


Fig. 8

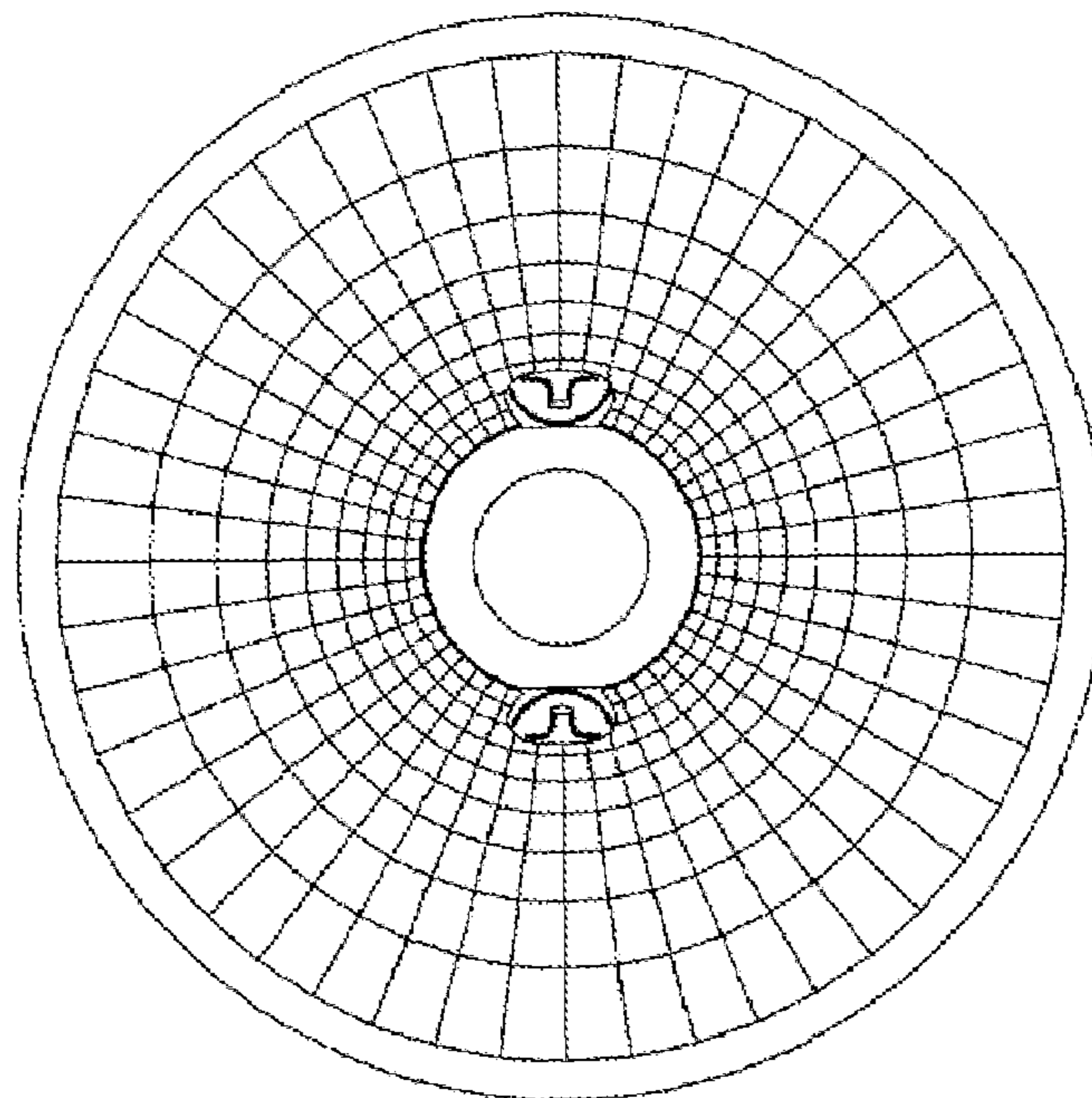


Fig. 9

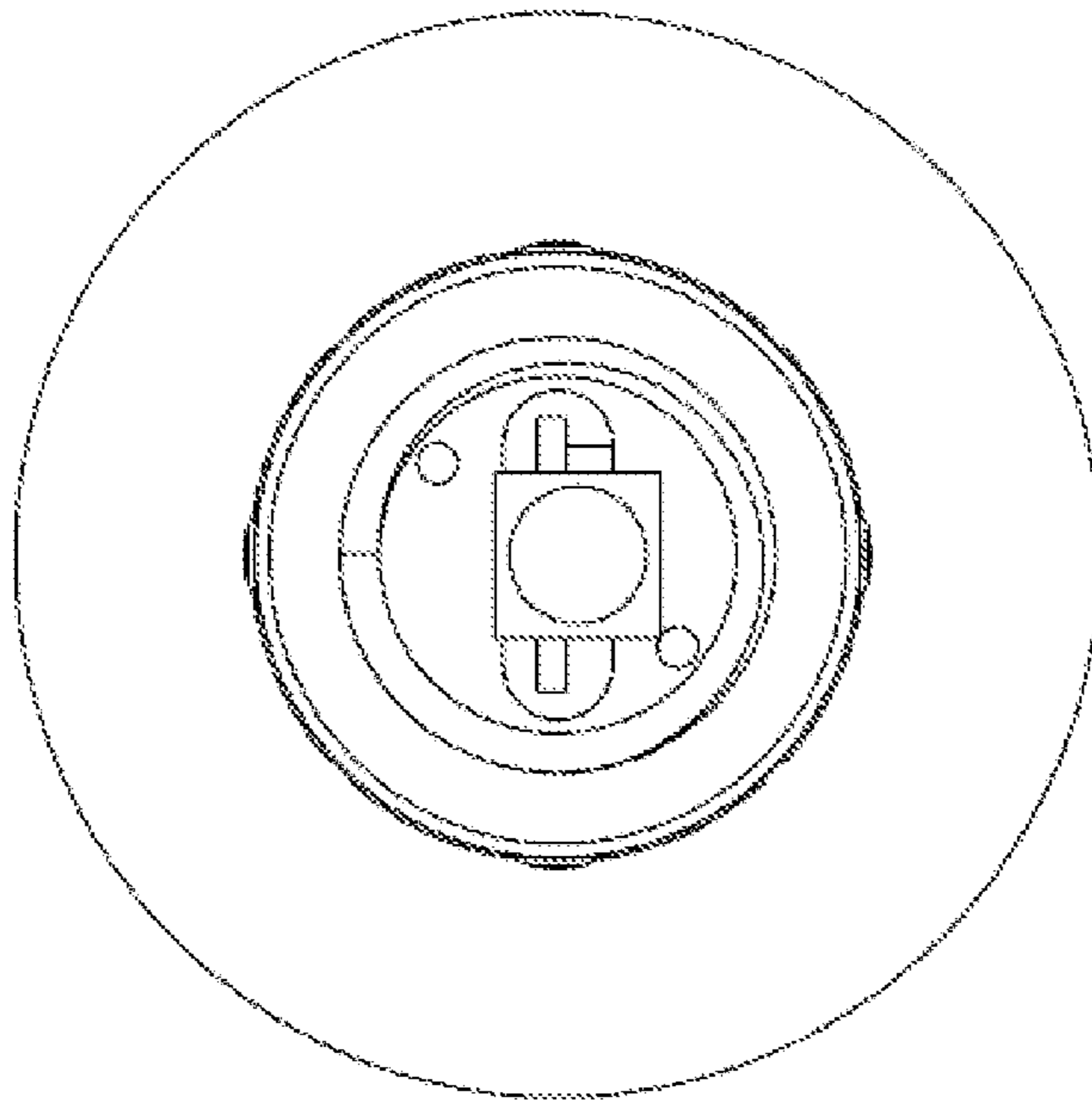


Fig. 10

