



US00D592320S

(12) **United States Design Patent**  
**Arndt et al.**

(10) **Patent No.:** **US D592,320 S**

(45) **Date of Patent:** **\*\* May 12, 2009**

(54) **ELECTRIC LIGHT BULB**

(75) Inventors: **Joachim Arndt**, Brieselang (DE); **Uwe Fidler**, Berlin (DE); **Markus Herb**, Gunzburg (DE)

(73) Assignee: **OSRAM Gesellschaft mit beschränkter Haftung**, Munich (DE)

(\*\*) Term: **14 Years**

(21) Appl. No.: **29/223,319**

(22) Filed: **Feb. 11, 2005**

(30) **Foreign Application Priority Data**

Aug. 11, 2004 (DE) ..... 4 04 04 571

(51) **LOC (9) Cl.** ..... **26-04**

(52) **U.S. Cl.** ..... **D26/2**

(58) **Field of Classification Search** ..... D26/1-4;  
313/313, 315, 317, 318, 493; 315/52, 53,  
315/56, 57, 58

See application file for complete search history.

(56) **References Cited**

**U.S. PATENT DOCUMENTS**

D334,071 S \* 3/1993 Itoh et al. .... D26/2

D390,673 S \* 2/1998 Sato et al. .... D26/2  
D464,445 S \* 10/2002 Honda et al. .... D26/2  
D482,142 S \* 11/2003 Honda et al. .... D26/2  
D520,150 S \* 5/2006 Komiya et al. .... D26/2  
D543,644 S \* 5/2007 Bembridge ..... D26/2

\* cited by examiner

*Primary Examiner*—Marcus A. Jackson

(74) *Attorney, Agent, or Firm*—William E. Meyer

(57) **CLAIM**

The ornamental design for a electric light bulb, as shown and described.

**DESCRIPTION**

FIG. 1 is a perspective view of a electric light bulb showing our new design, with the broken lines showing for illustrative purposes only and forming no part of the claimed design;

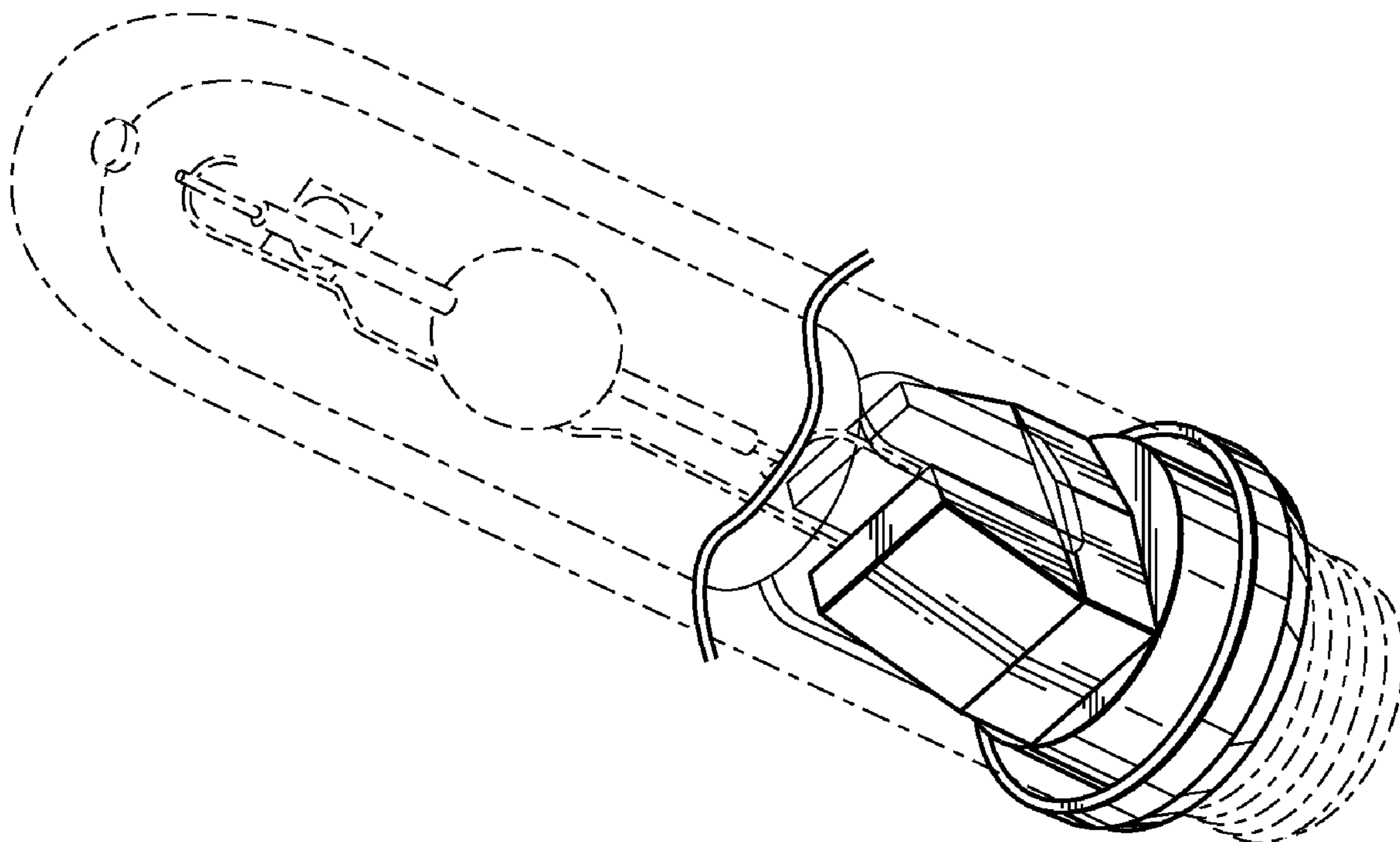
FIG. 2 is a front elevational view thereof;

FIG. 3 is a side elevational view thereof;

FIG. 4 is a rear elevational view thereof; and,

FIG. 5 is a opposite side elevational view thereof.

**1 Claim, 5 Drawing Sheets**



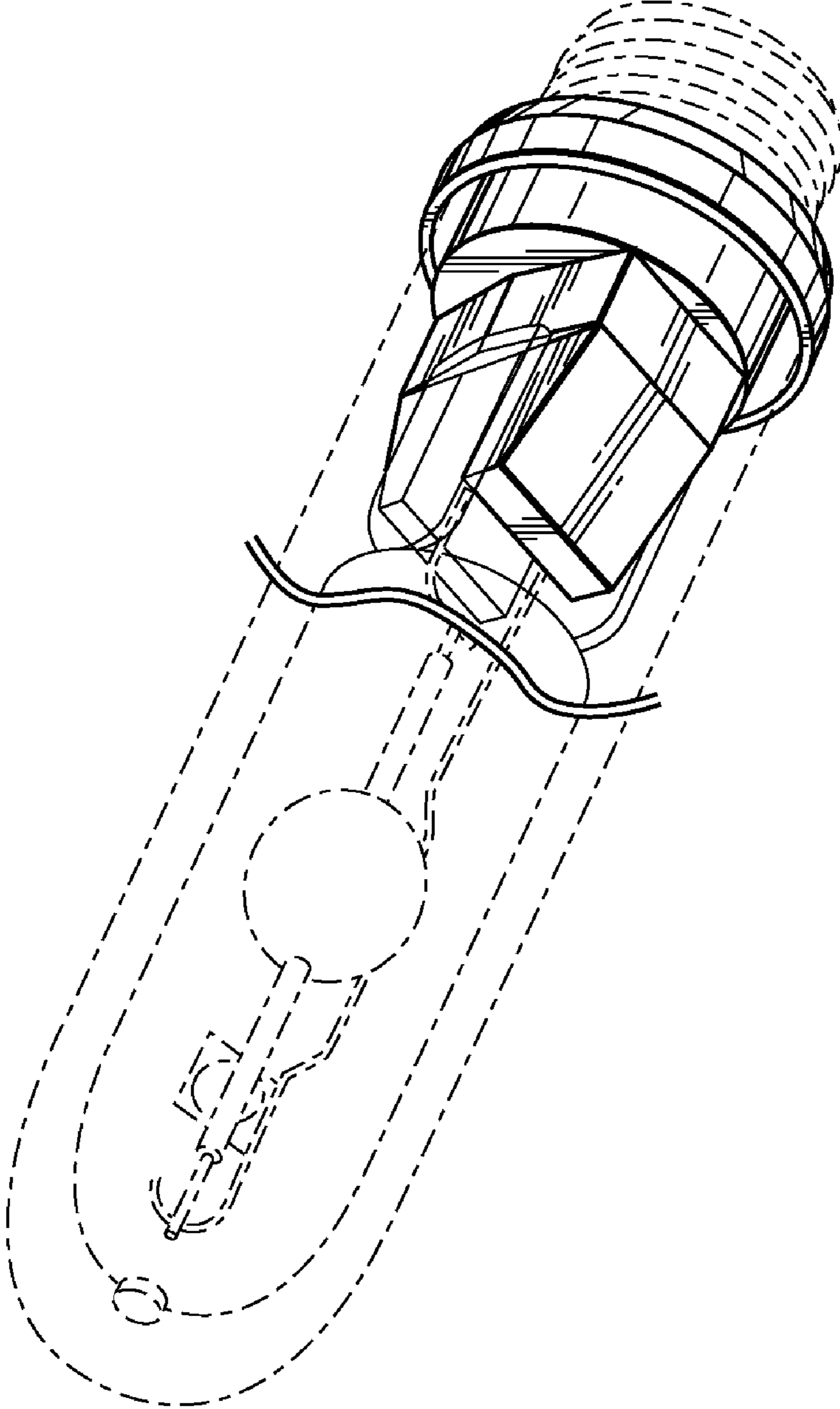


FIG. 1

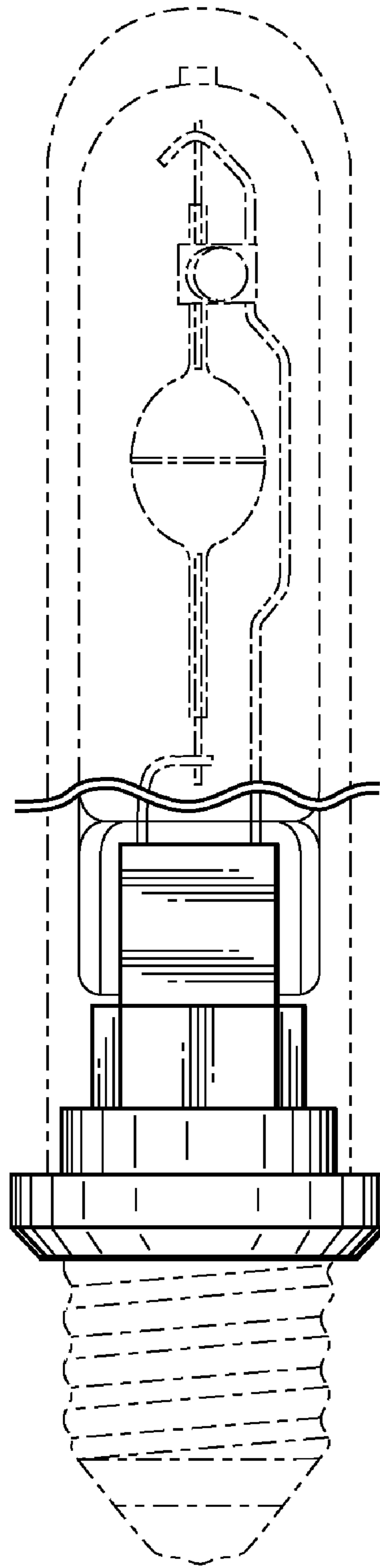


FIG. 2

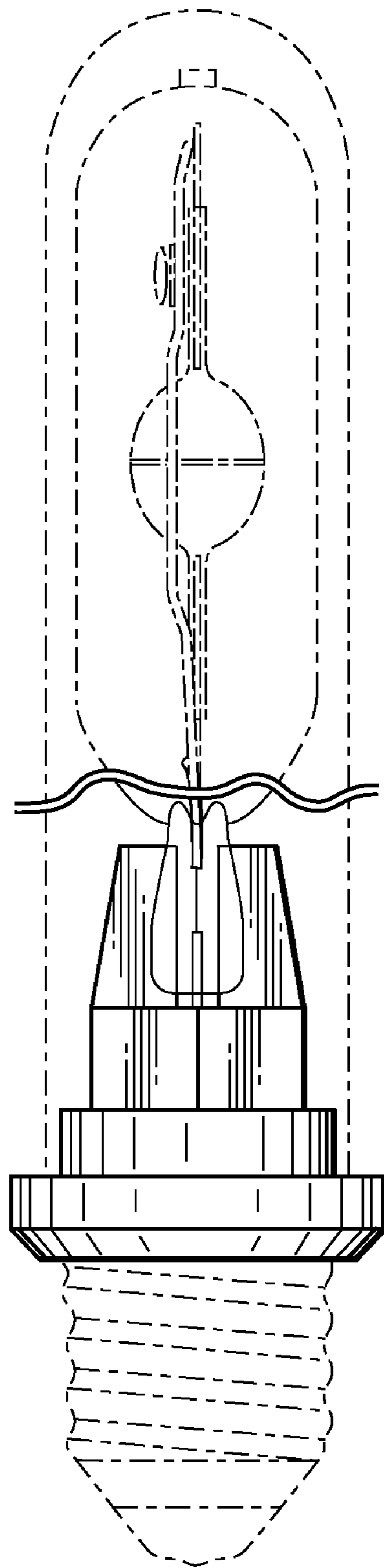


FIG. 3

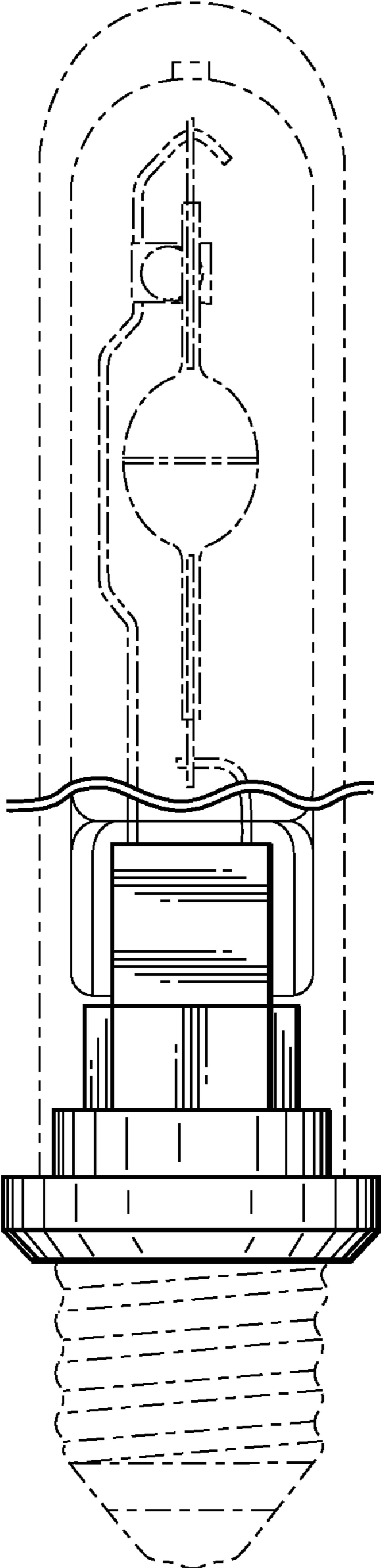


FIG. 4

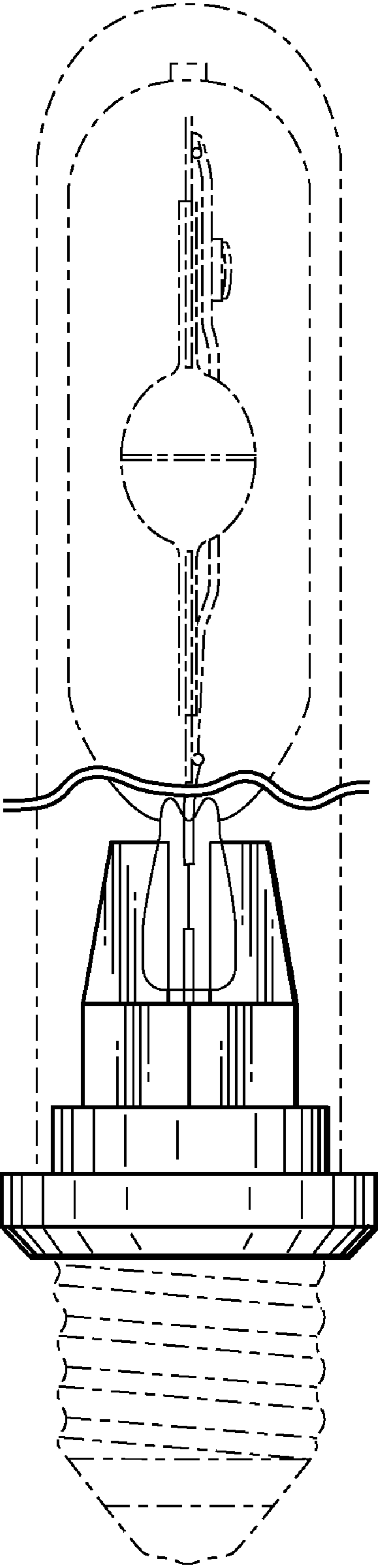


FIG. 5