



US00D592318S

(12) **United States Design Patent**  
**Ruegsegger**

(10) **Patent No.:** **US D592,318 S**

(45) **Date of Patent:** **\*\* May 12, 2009**

(54) **WAVE PATTERN CONCRETE MASONRY UNIT**

D513,805 S 1/2006 Scherer et al.

\* cited by examiner

(75) Inventor: **Jack Ruegsegger**, Glendale, AZ (US)

*Primary Examiner*—T. Chase Nelson

*Assistant Examiner*—Anhdao Doan

(73) Assignee: **APG West, Inc.**, Phoenix, AZ (US)

(74) *Attorney, Agent, or Firm*—Gallagher & Kennedy, P.A.

(\*\*) Term: **14 Years**

(57) **CLAIM**

(21) Appl. No.: **29/292,487**

The ornamental design for a wave pattern concrete masonry unit, as shown and described.

(22) Filed: **Oct. 12, 2007**

**DESCRIPTION**

(51) **LOC (9) Cl.** ..... **25-01**

FIG. 1 is a perspective front view of a wave pattern concrete masonry unit showing my design;

(52) **U.S. Cl.** ..... **D25/113**

FIG. 2 is a front view of the wave pattern concrete masonry unit of FIG. 1;

(58) **Field of Classification Search** ..... D25/102,  
D25/112–118, 158; 405/16, 284, 286; 52/102,  
52/574, 596–612; D21/484–486, 490, 491,  
D21/493

FIG. 3 is a right side view of the wave pattern concrete masonry unit of FIG. 1;

See application file for complete search history.

FIG. 4 is a left side view of the wave pattern concrete masonry unit of FIG. 1;

(56) **References Cited**

**U.S. PATENT DOCUMENTS**

FIG. 5 is a bottom plan view of the wave pattern concrete masonry unit of FIG. 1;

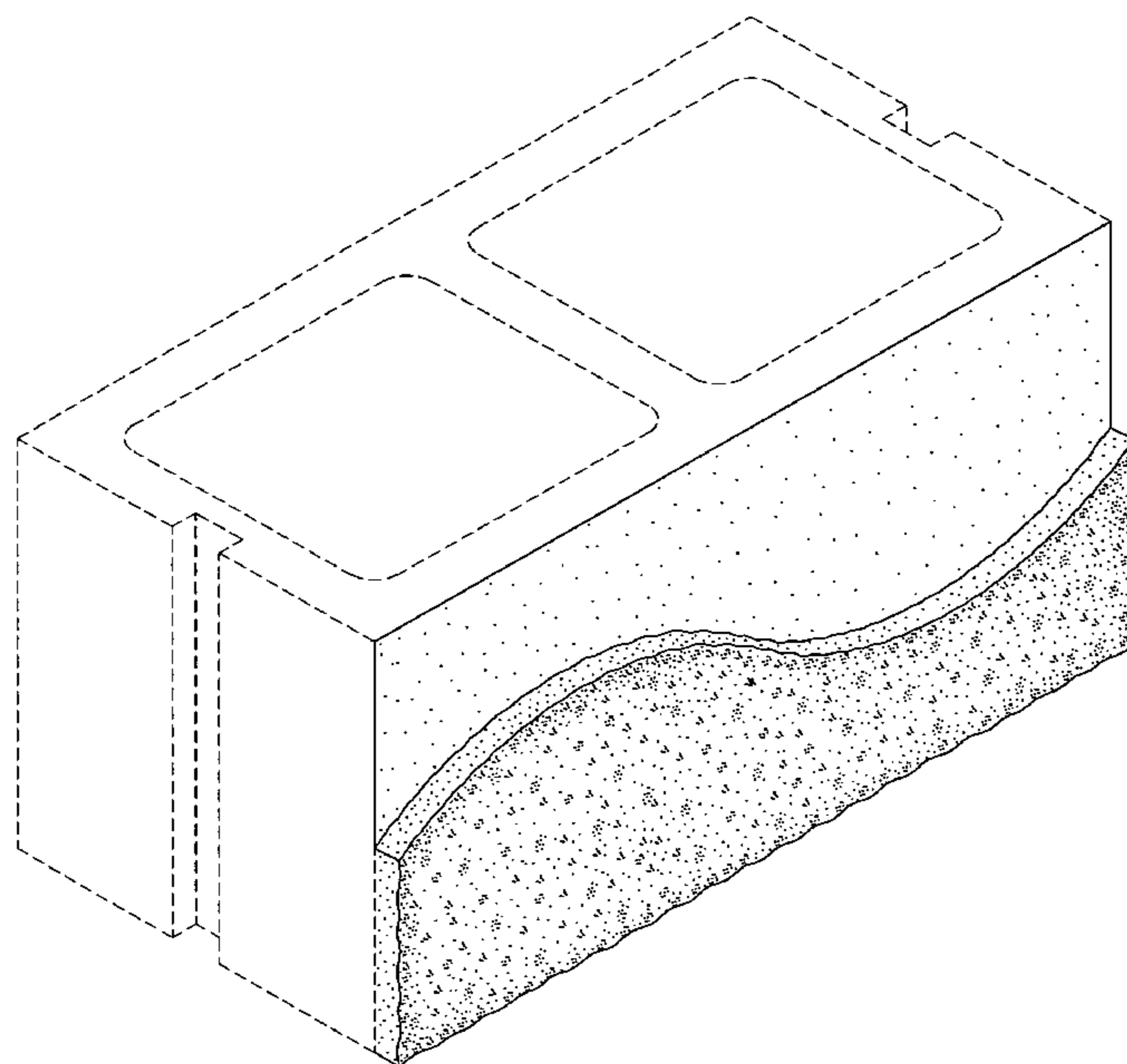
D62,880 S *	8/1923	Castellani	.....	D25/113
D175,392 S *	8/1955	Clanton	.....	D25/114
D200,644 S *	3/1965	Frese	.....	D25/118
D245,340 S *	8/1977	Johnson	.....	D25/118
D340,775 S *	10/1993	Sauve	.....	D25/118
D368,313 S *	3/1996	Schulz, Jr.	.....	D25/118
D381,086 S	7/1997	Forsberg		
D430,680 S	9/2000	Blomquist et al.		
D477,091 S	7/2003	Manthei		
D477,419 S	7/2003	Manthei		
D479,002 S	8/2003	Nordstrand		
D479,003 S	8/2003	Nordstrand		
D491,676 S *	6/2004	Gendron et al.	.....	D25/118
D492,796 S	7/2004	Price		
D500,864 S	1/2005	Klettenberg et al.		
D509,911 S *	9/2005	Shillingburg	.....	D25/113

FIG. 6 is a top plan view of the wave pattern concrete masonry unit of FIG. 1; and,

FIG. 7 is a front view of the wave pattern concrete masonry unit of FIG. 1 assembled with other wave pattern concrete masonry units in a segment of a block wall so as to display a wave pattern.

The broken lines immediately adjacent the shaded areas in FIGS. 1 and 3–6 represent the bounds of the claim, the broken line showing of the like concrete masonry units in FIG. 7 and all other broken lines are for illustrative purposes only. None of the broken lines form a part of the claimed design.

**1 Claim, 6 Drawing Sheets**



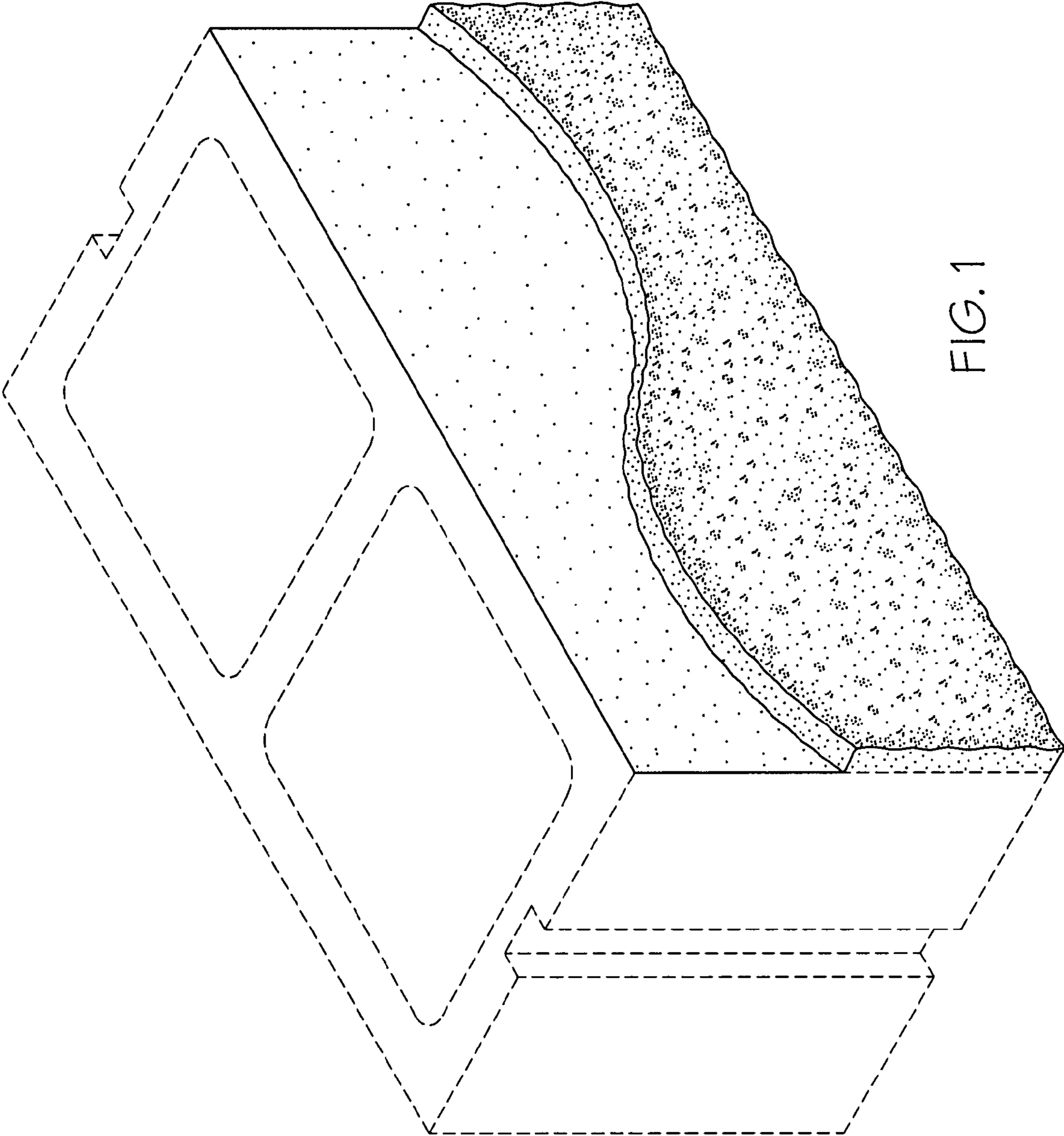


FIG. 1

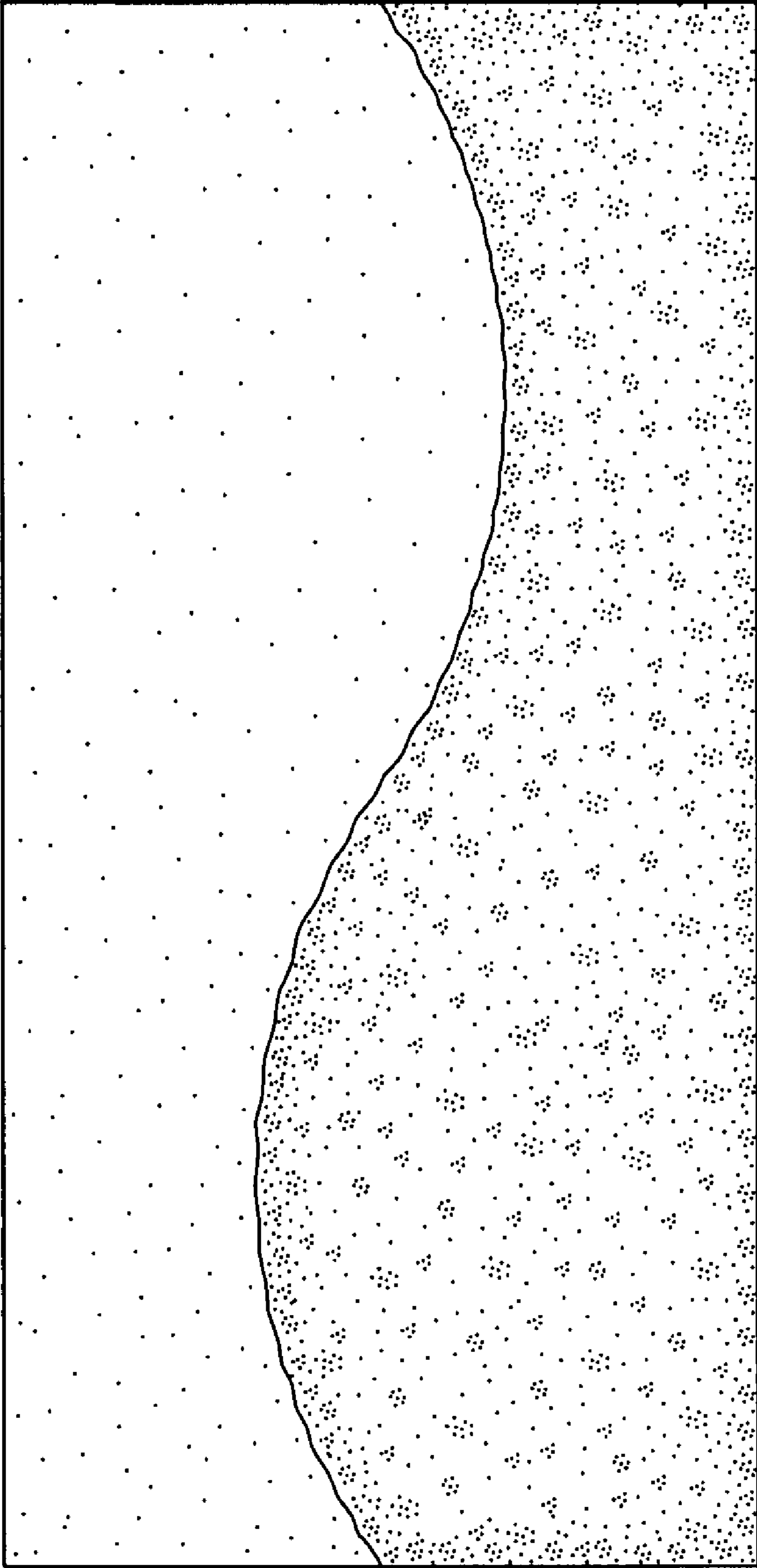


FIG. 2

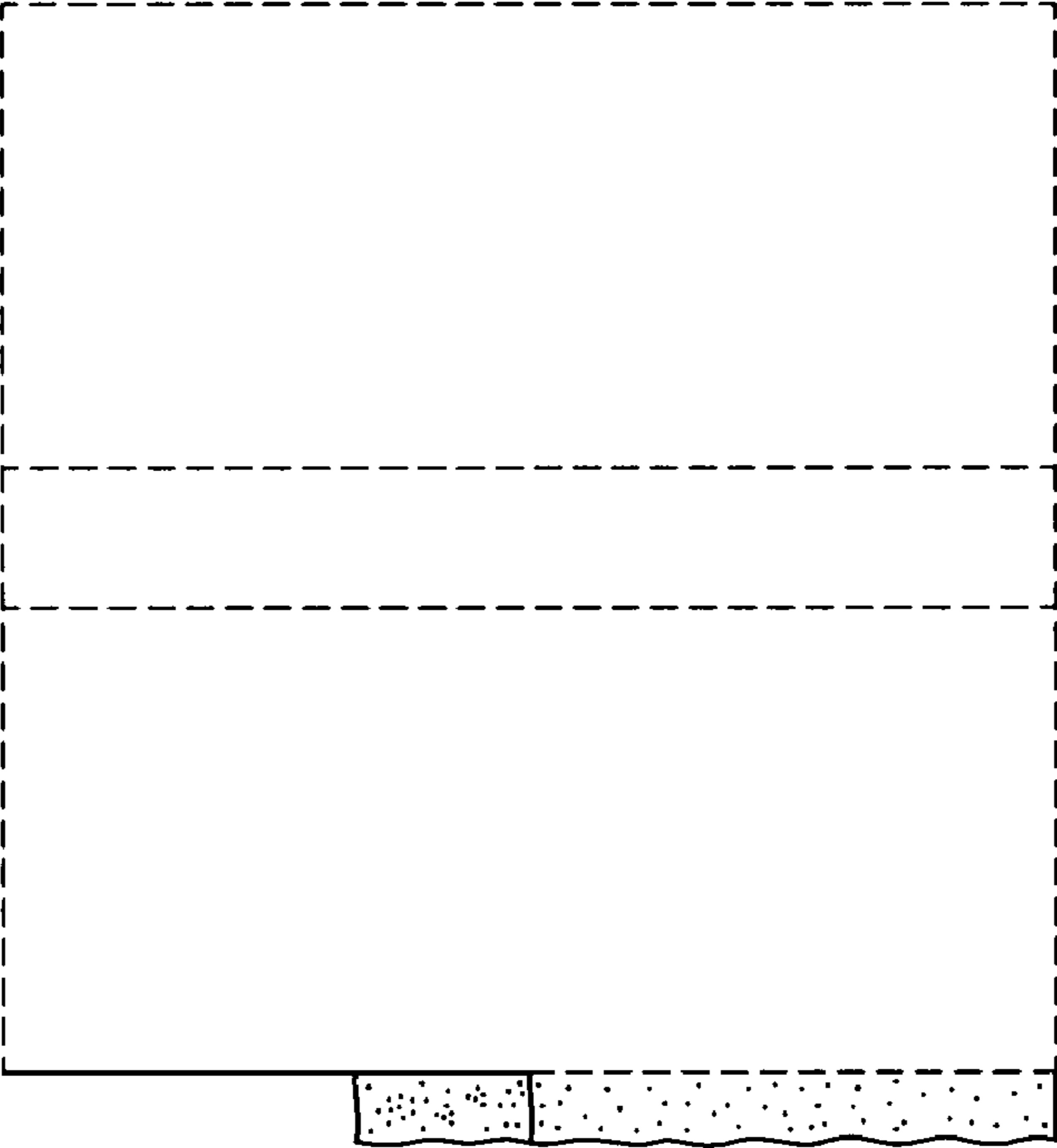


FIG. 4

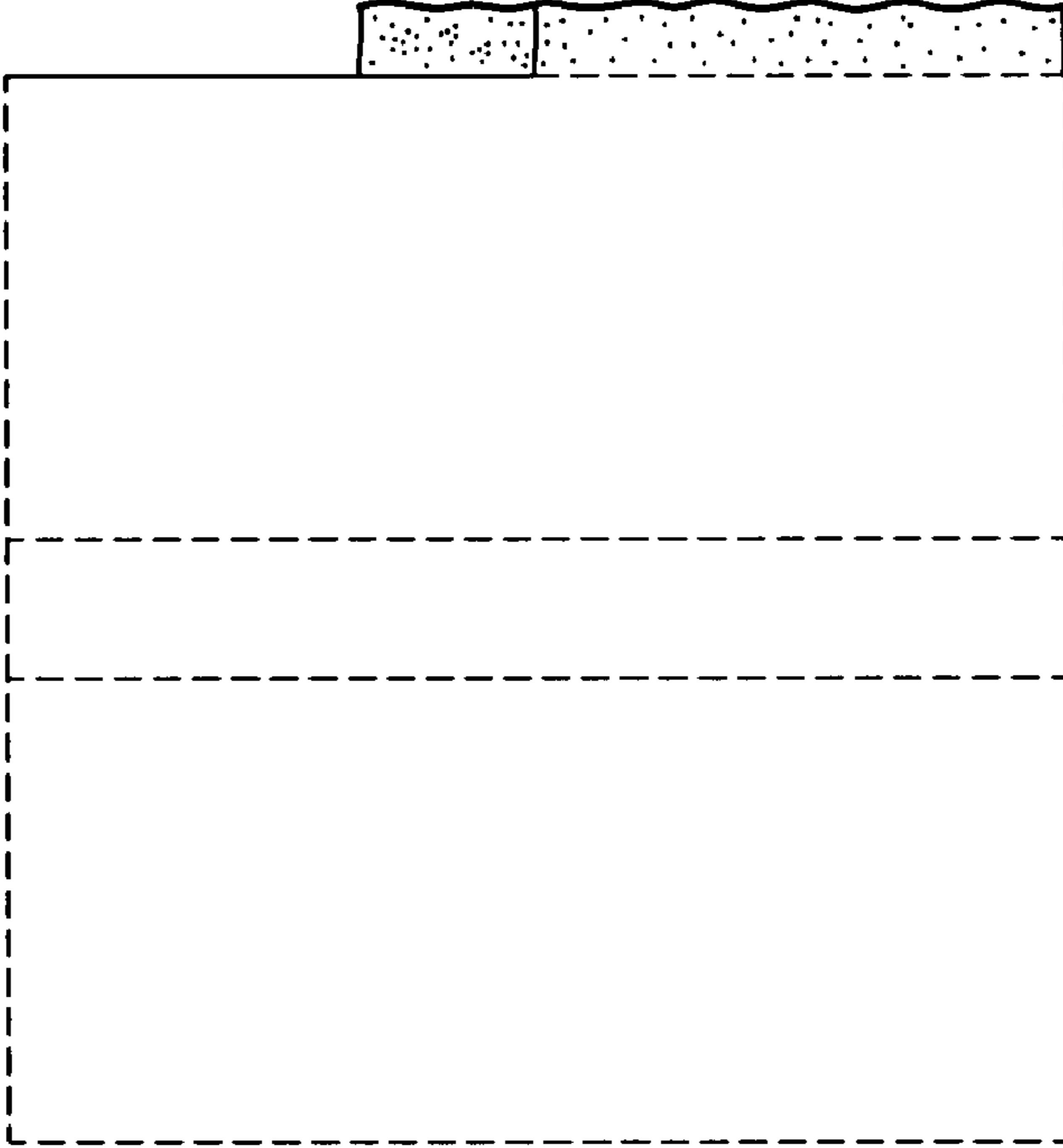


FIG. 3

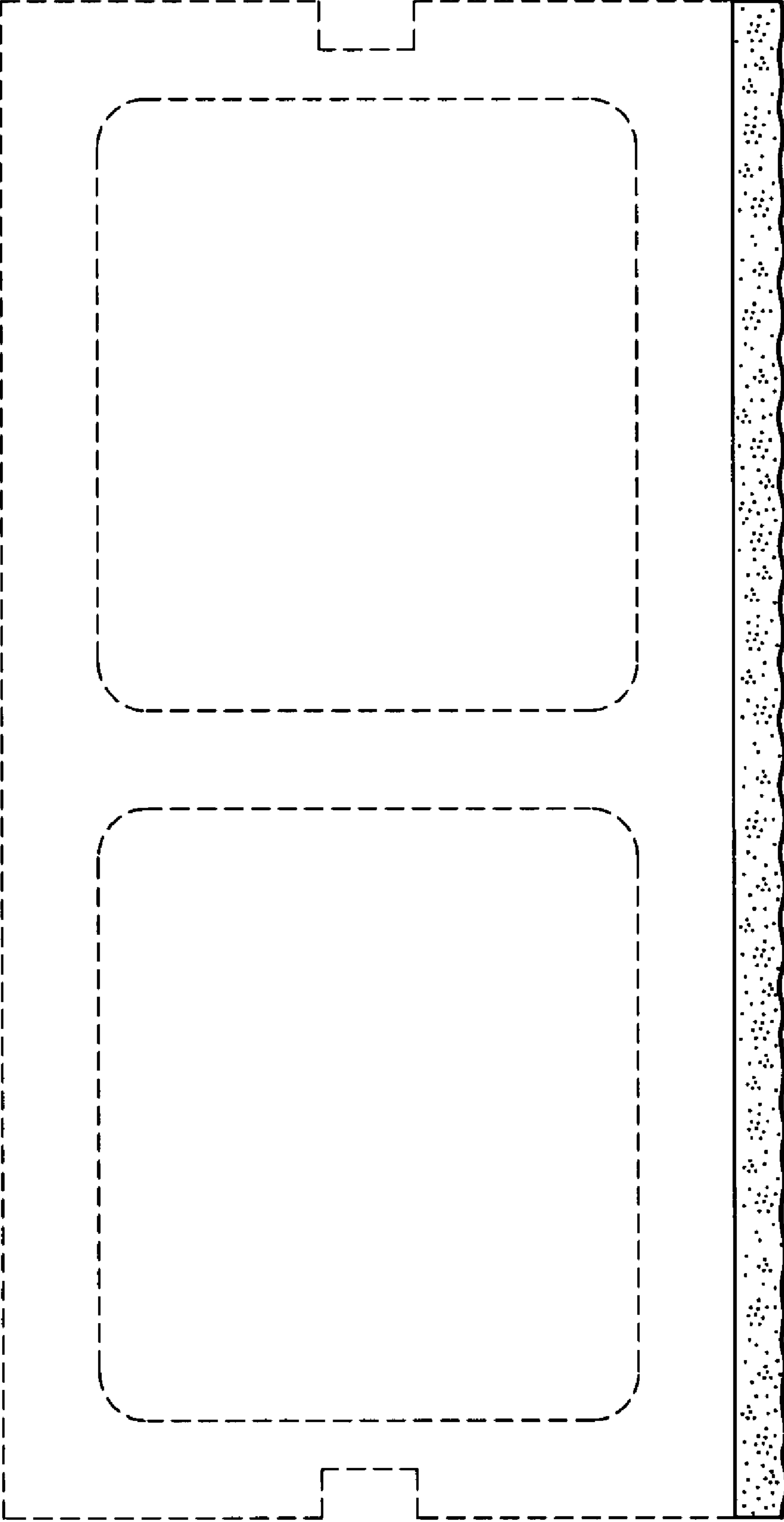


FIG. 5

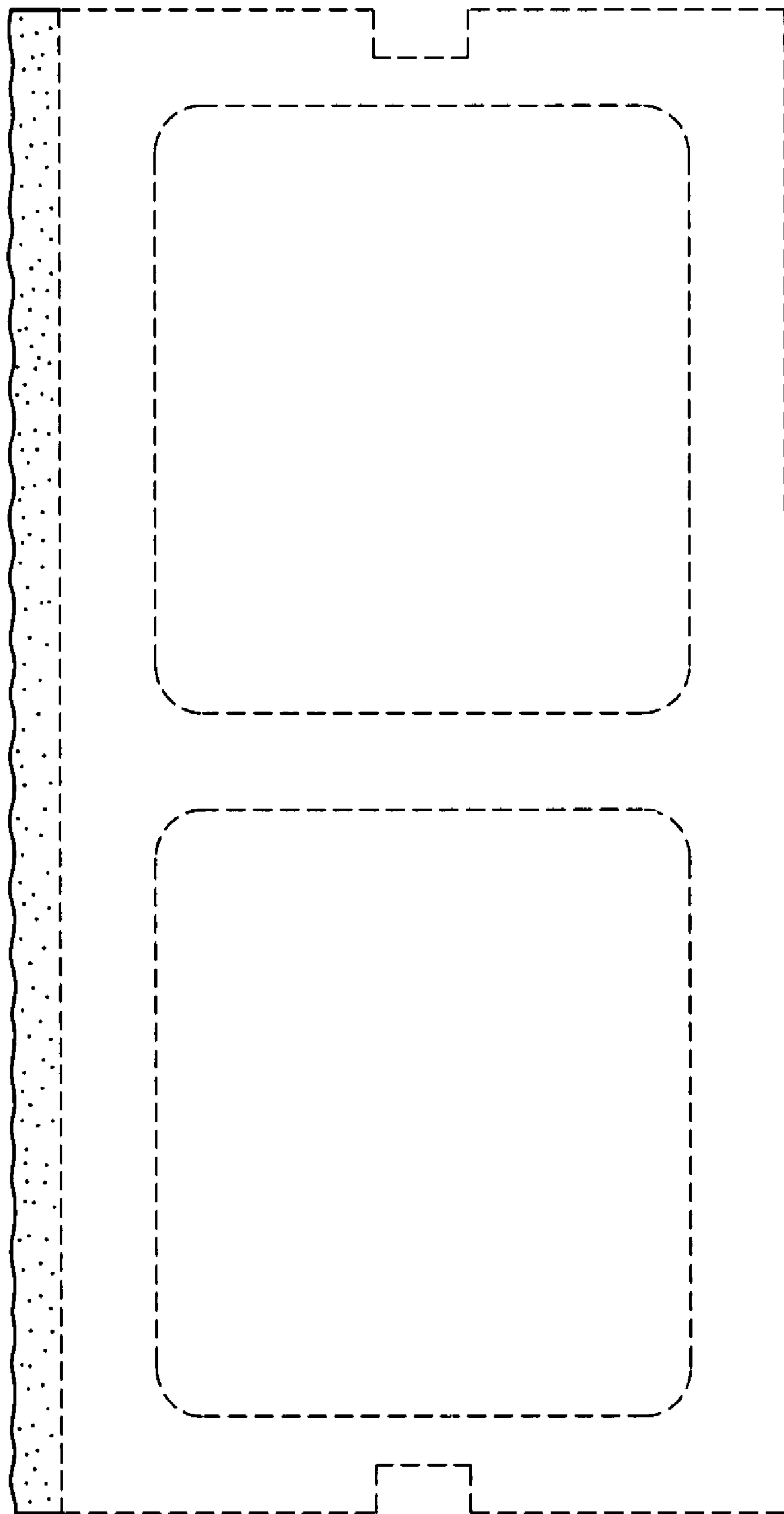


FIG. 6

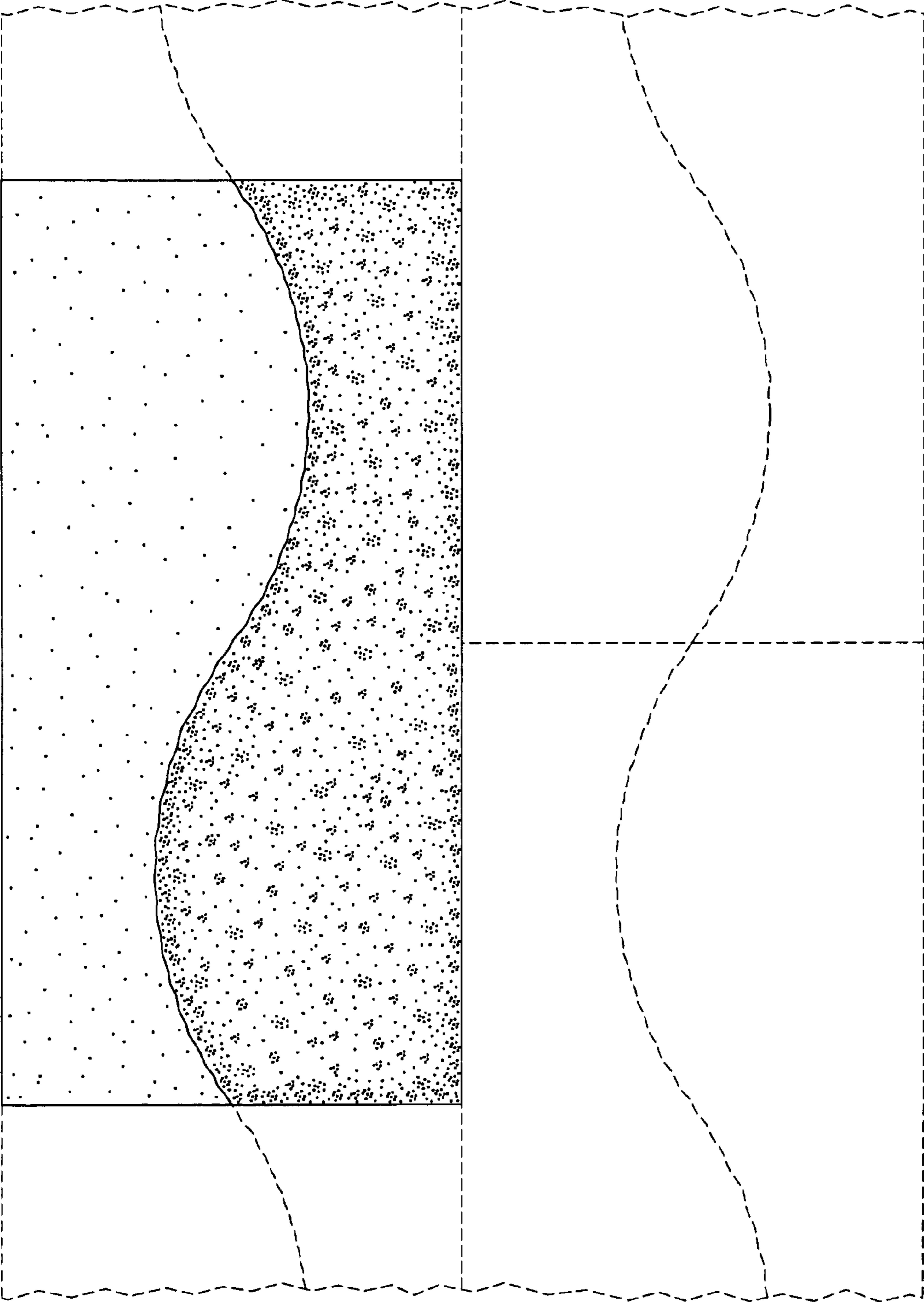


FIG. 7