



US00D592312S

(12) **United States Design Patent**
Cheng

(10) **Patent No.:** **US D592,312 S**

(45) **Date of Patent:** **** May 12, 2009**

(54) **FOOT SPA BASIN**

(76) Inventor: **Hsien-Yang Cheng**, 7F.-3, No. 37, Sec. 2, Sanmin Rd., Banciao City, Taipei Hsien (TW)

(**) Term: **14 Years**

(21) Appl. No.: **29/326,338**

(22) Filed: **Oct. 16, 2008**

(51) **LOC (9) Cl.** **24-04**

(52) **U.S. Cl.** **D24/204**

(58) **Field of Classification Search** D24/200–205,
D24/211–213; D6/336, 495; D28/56, 61;
607/144; 4/622, 574.1; 601/6, 15, 64, 157,
601/158, 30–32

See application file for complete search history.

(56) **References Cited**

U.S. PATENT DOCUMENTS

4,620,529	A	*	11/1986	Kurosawa	601/157
D450,390	S	*	11/2001	Tran	D24/213
D564,099	S	*	3/2008	Ton	D24/204
D569,986	S	*	5/2008	Ton	D24/204

* cited by examiner

Primary Examiner—Cathron C Brooks

Assistant Examiner—Melanie Levy

(74) *Attorney, Agent, or Firm*—Christopher P. Majorana, PC

(57) **CLAIM**

The ornamental design for a foot spa basin, as shown and described.

DESCRIPTION

FIG. 1 is a perspective view of a foot spa basin showing my new design;

FIG. 2 is a front view thereof;

FIG. 3 is a rear view thereof;

FIG. 4 is a left view thereof;

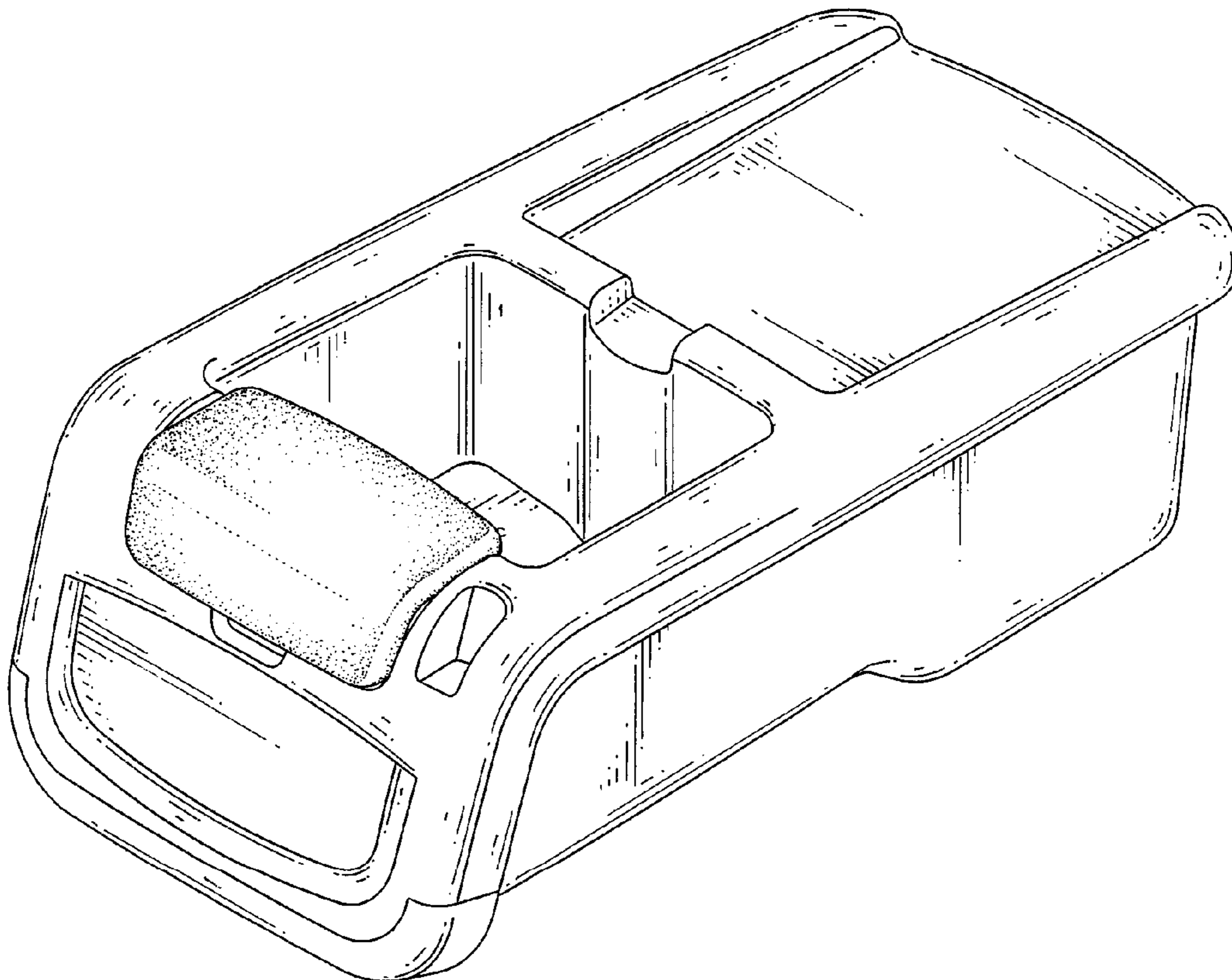
FIG. 5 is a right view thereof;

FIG. 6 is a top view thereof, wherein the portions shown in broken lines are shown for illustrative purposes only and form no part of the claimed design;

FIG. 7 is a bottom view thereof; and,

FIG. 8 is a bottom rear perspective view thereof.

1 Claim, 5 Drawing Sheets



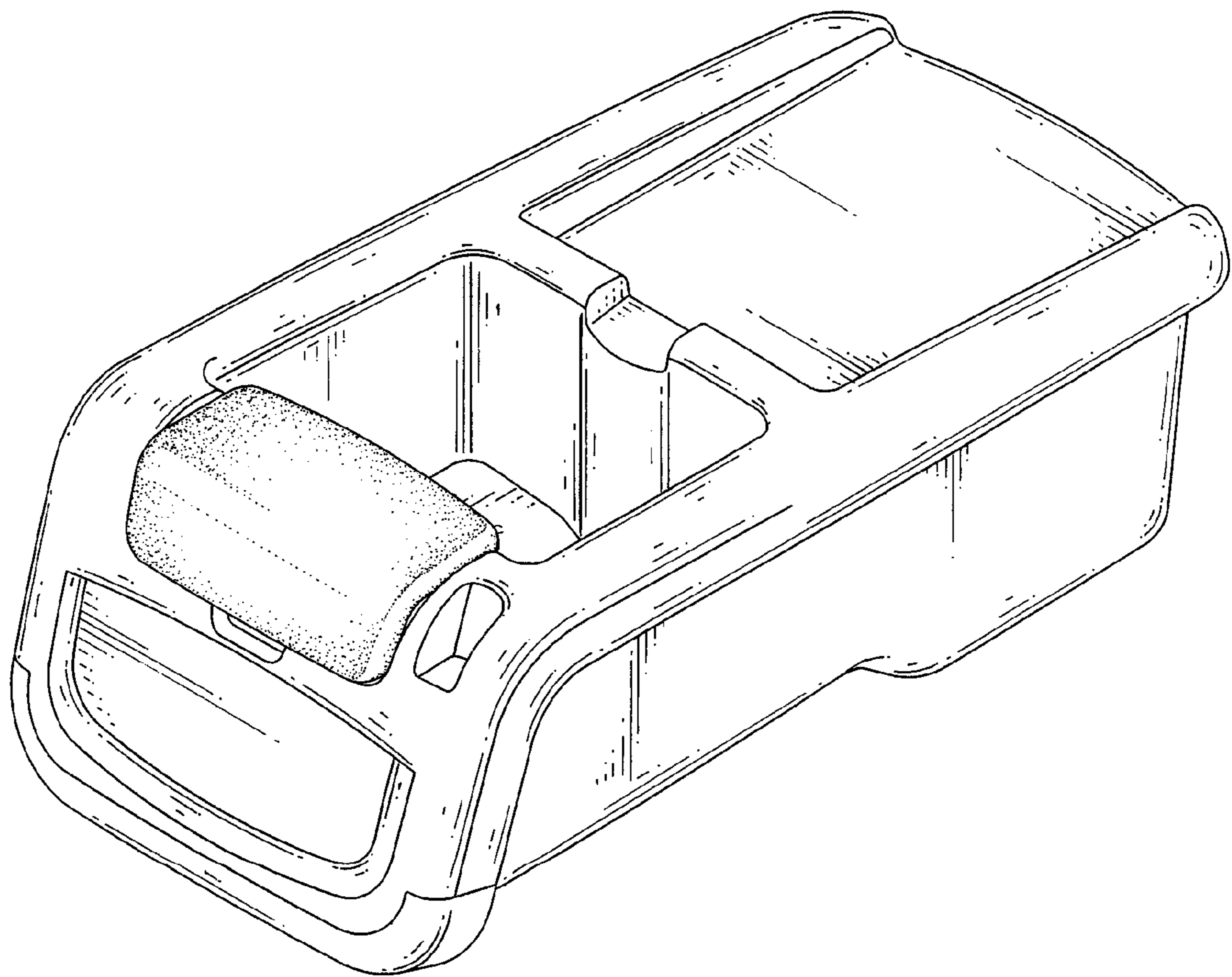


FIG.1

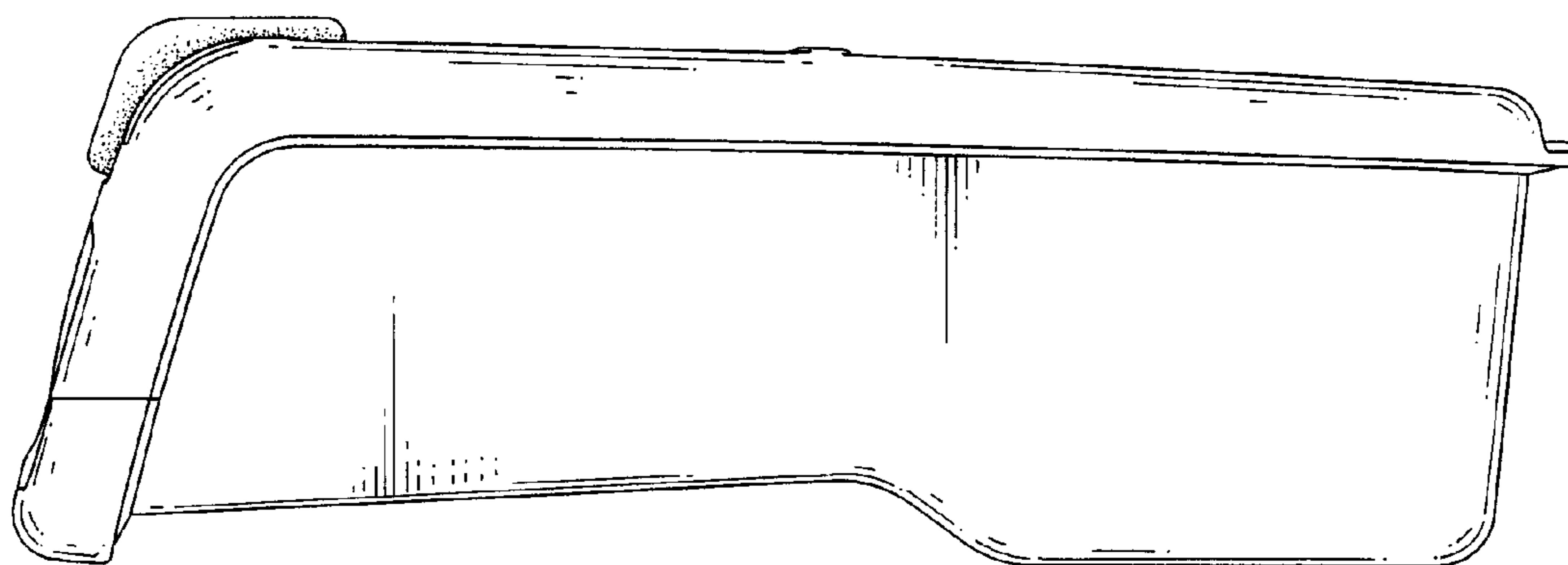


FIG.2

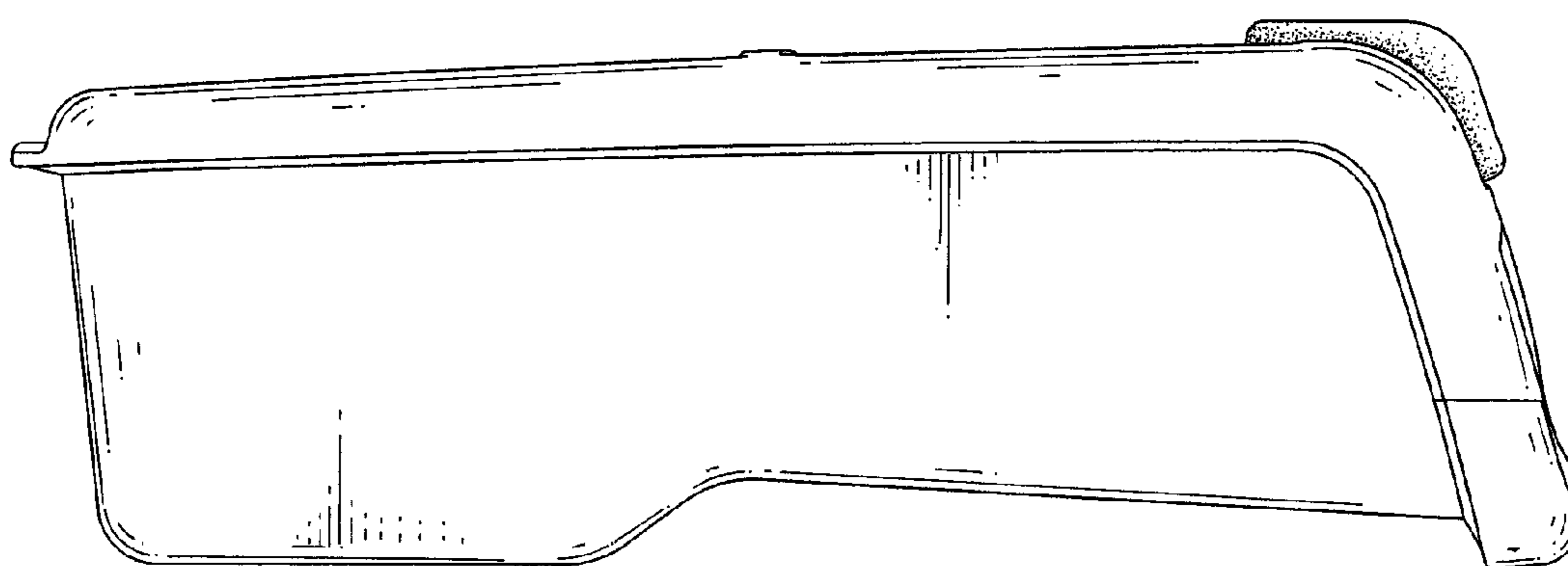


FIG.3

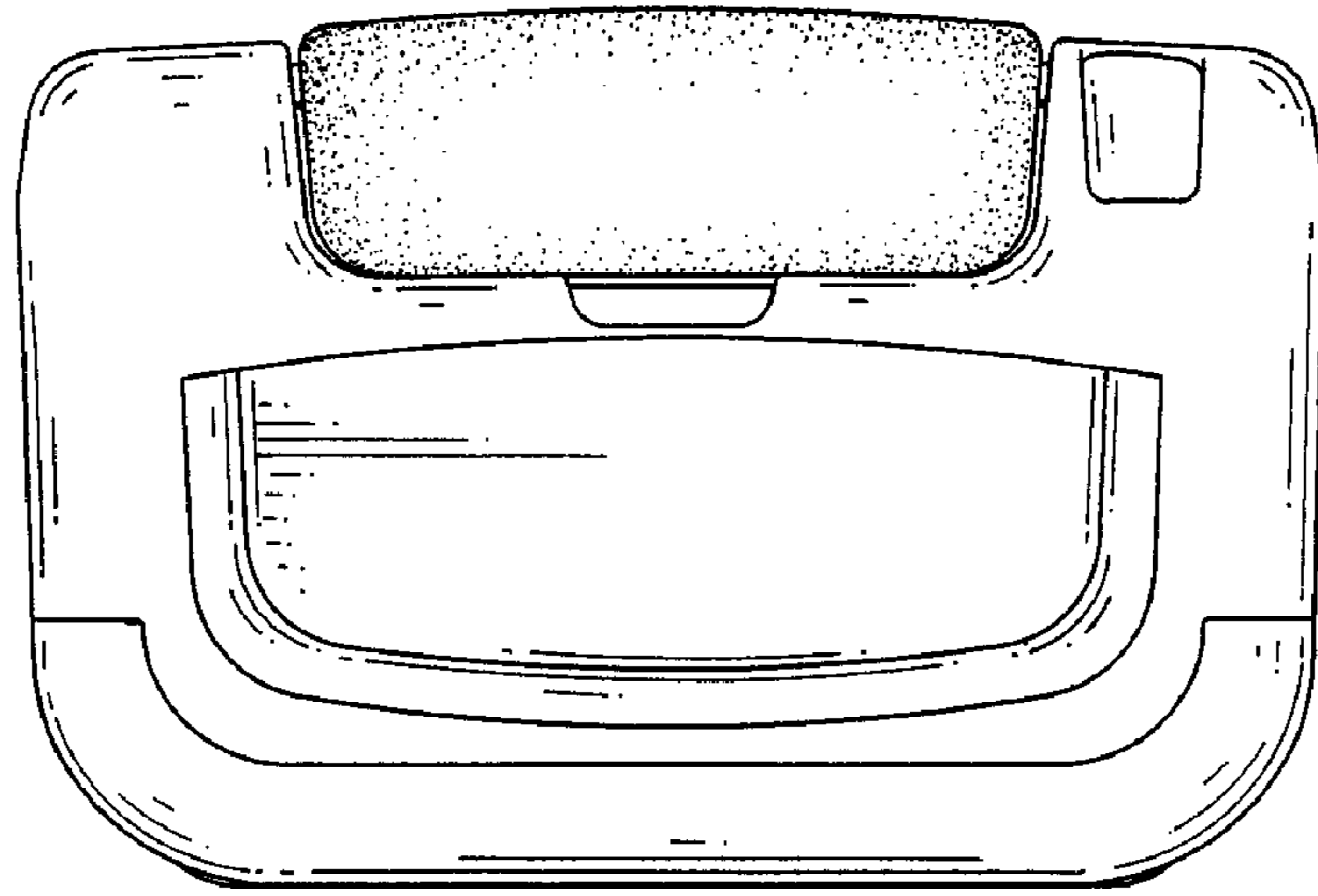


FIG. 4

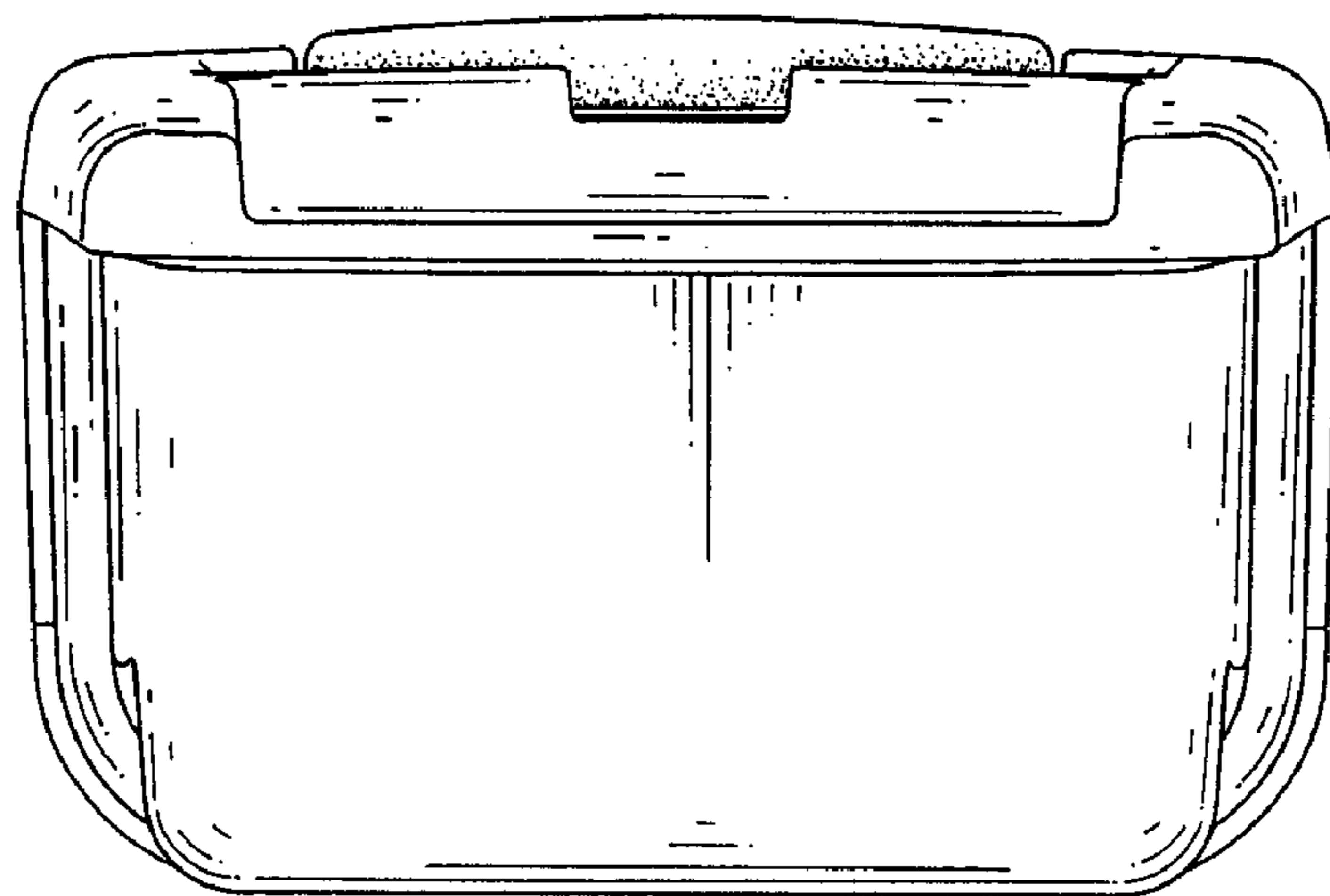


FIG. 5

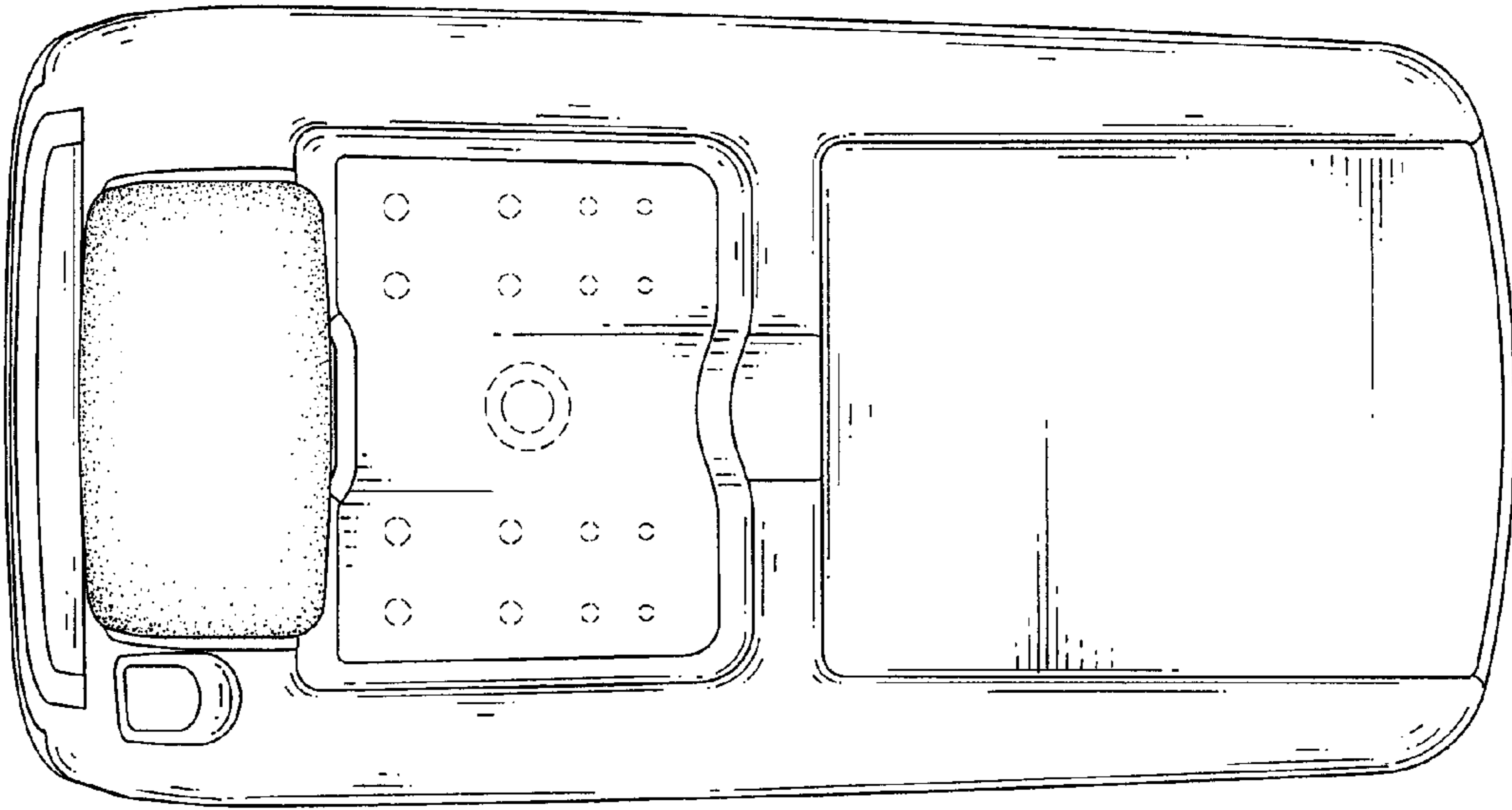


FIG. 6

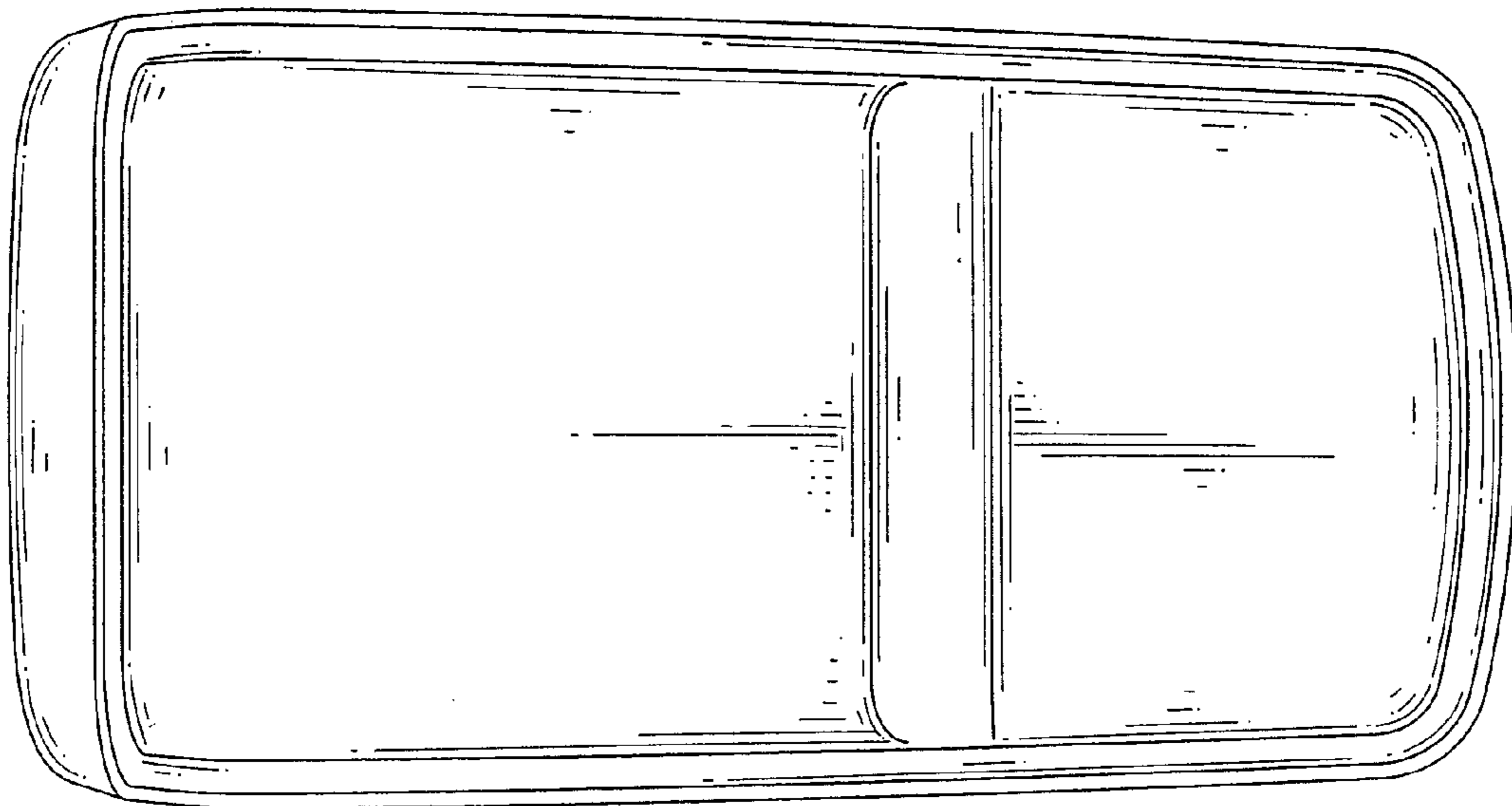


FIG. 7

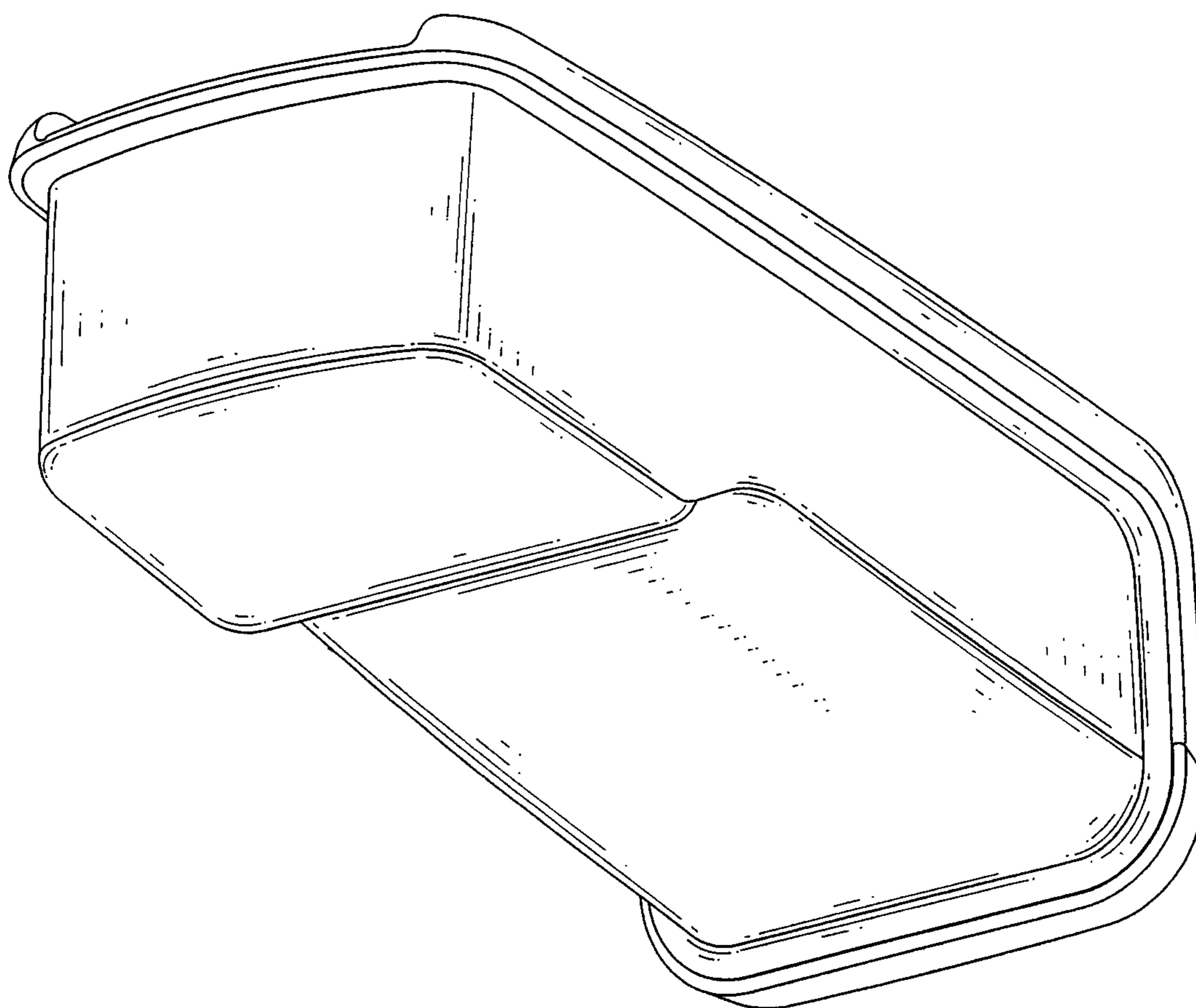


FIG.8