



US00D592308S

(12) **United States Design Patent**  
**Thomssen et al.**

(10) **Patent No.:** **US D592,308 S**  
(45) **Date of Patent:** **\*\* May 12, 2009**

(54) **DISPOSABLE DENTAL HANDPIECE**

(75) Inventors: **Eli Thomssen**, Kalamazoo, MI (US);  
**David Murphy**, Ostego, MI (US);  
**Clayton Waldorf**, Richland, MI (US);  
**Dirk Schipper**, Kalamazoo, MI (US);  
**Kevin Turner**, Highland Village, TX (US)

(73) Assignee: **Axenic Dental, Inc.**, Kalamazoo, MI (US)

(\*\*) Term: **14 Years**

(21) Appl. No.: **29/320,687**

(22) Filed: **Jul. 1, 2008**

**Related U.S. Application Data**

(62) Division of application No. 29/270,464, filed on Dec. 22, 2006, now Pat. No. Des. 580,054.

(51) **LOC (9) Cl.** ..... **24-03**

(52) **U.S. Cl.** ..... **D24/152**

(58) **Field of Classification Search** ..... D24/152,  
D24/154, 146, 133; 433/3, 141, 114, 119,  
433/118, 321, 322; 604/1

See application file for complete search history.

(56) **References Cited**

**U.S. PATENT DOCUMENTS**

D110,936 S	8/1938	Wiseman	
D121,506 S	7/1940	Davis	
D162,002 S	2/1951	Brown	
3,120,705 A	2/1964	Hoffmeister et al.	
3,552,021 A *	1/1971	Graceffo et al.	433/121
D219,979 S	2/1971	Coss	
3,893,242 A	7/1975	Lieb et al.	

(Continued)

**FOREIGN PATENT DOCUMENTS**

CH 686113 A5 1/1996

(Continued)

**OTHER PUBLICATIONS**

KaVo ELECTROtorque plus Brushless Electric Motor System Brochure in 17 pages, KaVo America Corporation, Lake Zurich, IL.

(Continued)

*Primary Examiner*—Charles A Rademaker  
(74) *Attorney, Agent, or Firm*—Knobbe, Martens, Olson & Bear LLP

(57) **CLAIM**

The ornamental design for a disposable dental handpiece, as shown and described.

**DESCRIPTION**

FIG. 1 is a top, front and left side perspective view of a disposable dental handpiece showing our new design;

FIG. 2 is a right side elevation thereof;

FIG. 3 is a left side elevation thereof;

FIG. 4 is a front elevation thereof;

FIG. 5 is a rear elevation thereof;

FIG. 6 is a top plan view thereof;

FIG. 7 is a bottom plan view thereof;

FIG. 8 is a bottom, rear and right side perspective view thereof;

FIG. 9 is a top, front and left side perspective view of a modified embodiment of the design shown in FIGS. 1 through 8;

FIG. 10 is a right side elevation thereof;

FIG. 11 is a left side elevation thereof;

FIG. 12 is a front elevation thereof;

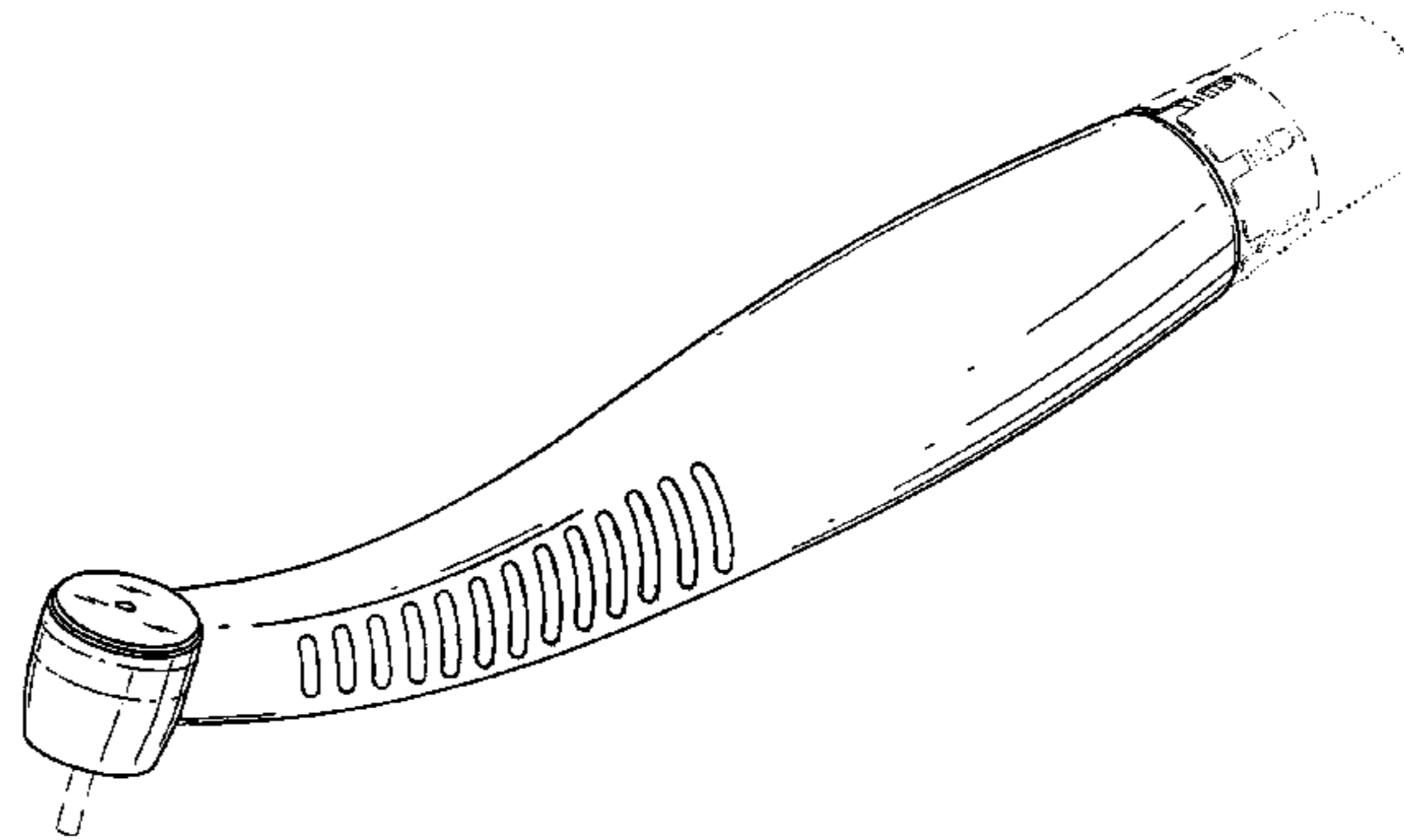
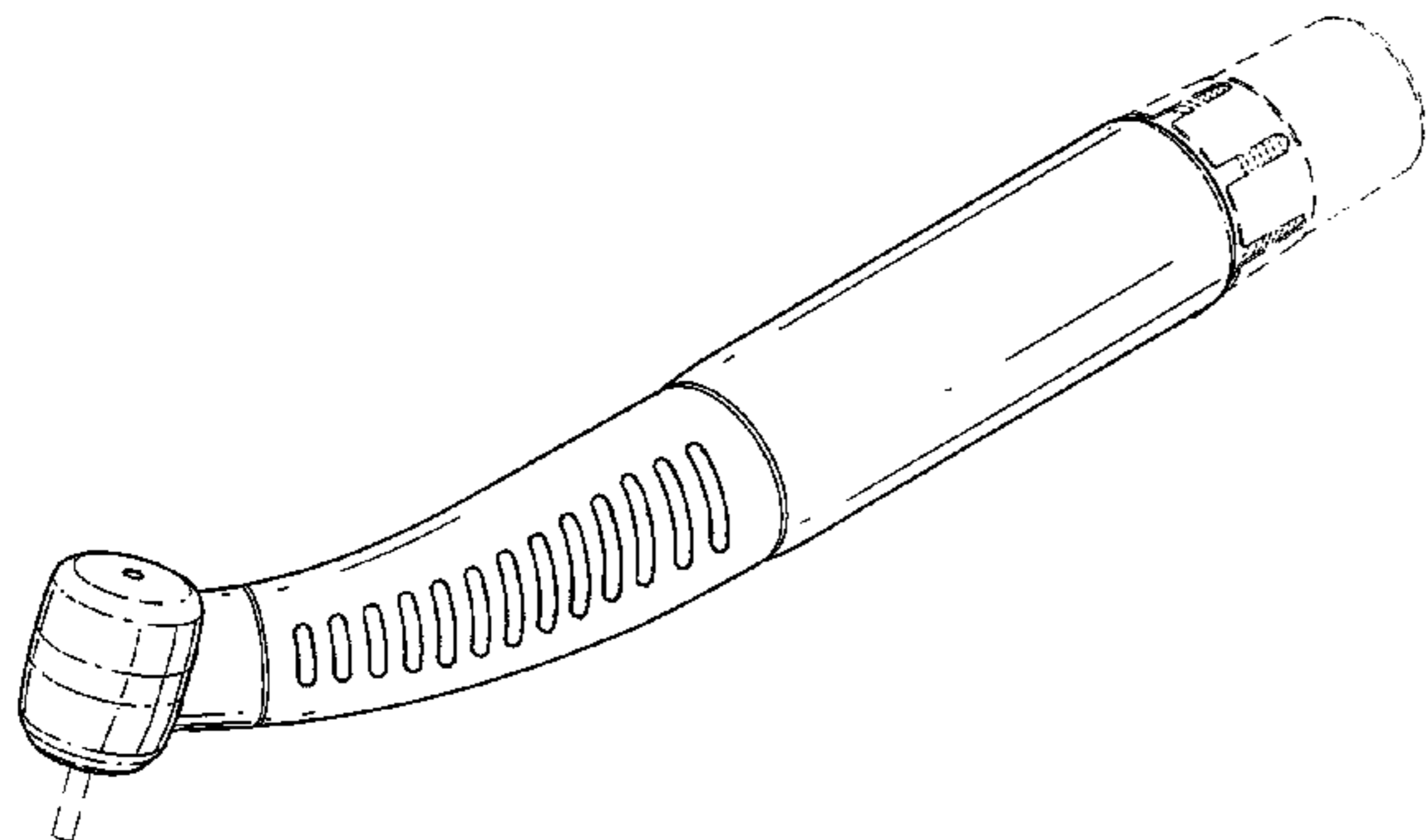
FIG. 13 is a rear elevation thereof;

FIG. 14 is a top plan view thereof;

FIG. 15 is a bottom plan view thereof; and,

FIG. 16 is a bottom, rear and right side perspective view thereof.

**1 Claim, 12 Drawing Sheets**



U.S. PATENT DOCUMENTS

D239,390 S 3/1976 Webb  
 D241,550 S 9/1976 Morin  
 4,014,099 A 3/1977 Bailey  
 D251,304 S 3/1979 Leonard  
 D254,570 S 3/1980 McDonald  
 D255,929 S 7/1980 Austin, Jr.  
 D255,930 S 7/1980 Nilles et al.  
 D257,284 S 10/1980 Leonard  
 4,249,896 A 2/1981 Kerfoot  
 D261,032 S 9/1981 Marucci et al.  
 D261,301 S 10/1981 Marucci et al.  
 D263,877 S 4/1982 Podszus et al.  
 D264,876 S 6/1982 Seid  
 D267,036 S 11/1982 Podszus et al.  
 4,370,132 A 1/1983 Wohlgemuth  
 D269,122 S 5/1983 Seeley  
 4,795,343 A 1/1989 Choisser  
 4,842,516 A 6/1989 Choisser  
 D305,935 S 2/1990 Straihammer et al.  
 4,941,828 A 7/1990 Kimura  
 4,978,297 A 12/1990 Vlock  
 5,007,831 A 4/1991 Bierbaum et al.  
 5,040,978 A 8/1991 Falcon et al.  
 5,096,421 A 3/1992 Seney  
 5,156,547 A 10/1992 Bailey  
 D336,517 S \* 6/1993 McKeown ..... D24/133  
 5,217,372 A 6/1993 Truocchio  
 5,231,973 A 8/1993 Dickie  
 5,263,606 A 11/1993 Dutt  
 5,308,242 A 5/1994 McLaughlin et al.  
 5,334,013 A 8/1994 Meller  
 5,348,473 A 9/1994 Kivlighan, Jr.  
 5,352,118 A 10/1994 Franetzki et al.  
 5,352,119 A 10/1994 Sakurai  
 5,374,189 A 12/1994 Mendoza  
 D355,971 S 2/1995 Meller  
 D356,866 S 3/1995 Meller  
 D370,063 S \* 5/1996 Spreckelmeier ..... D24/139  
 5,538,425 A 7/1996 Reeves  
 D373,636 S 9/1996 Martin  
 5,562,446 A 10/1996 Matsui et al.  
 D378,235 S 2/1997 Mark  
 D378,412 S \* 3/1997 Badoz et al. .... D24/152  
 5,674,068 A 10/1997 Eibofner  
 5,681,409 A 10/1997 Lin et al.  
 D389,912 S 1/1998 Emerson et al.  
 5,733,120 A 3/1998 Yao et al.  
 5,772,436 A 6/1998 Matsui et al.  
 5,782,634 A 7/1998 Lingenhole et al.  
 5,797,743 A 8/1998 Bailey  
 5,807,108 A 9/1998 Schwenooha et al.  
 5,810,588 A 9/1998 Cohen  
 5,902,108 A 5/1999 Nakayama et al.  
 5,911,577 A 6/1999 Henrikson  
 5,921,777 A 7/1999 Dorman  
 5,924,865 A 7/1999 Quinn  
 5,984,654 A 11/1999 Mendoza et al.  
 D425,988 S 5/2000 Frank  
 D426,636 S 6/2000 Herring  
 D427,311 S 6/2000 Henrikson

D427,682 S 7/2000 Novak  
 D428,652 S \* 7/2000 Frezel et al. .... D24/152  
 6,099,309 A 8/2000 Cardarelli  
 6,149,430 A 11/2000 Nemetz et al.  
 6,186,784 B1 2/2001 Bailey  
 6,305,935 B1 10/2001 Cardarelli  
 6,315,560 B1 11/2001 Krouglicof et al.  
 6,350,124 B1 2/2002 Wade  
 D463,556 S 9/2002 Bareth et al.  
 D465,279 S 11/2002 Etter et al.  
 D472,969 S 4/2003 Wilden  
 6,579,093 B2 6/2003 Bailey et al.  
 6,638,068 B2 10/2003 Lingenhole et al.  
 6,676,374 B2 1/2004 Hashimoto et al.  
 D489,134 S 4/2004 Nakanishi  
 6,716,028 B2 4/2004 Rahman et al.  
 6,821,119 B2 11/2004 Shortt et al.  
 D499,486 S 12/2004 Kuhn et al.  
 D504,949 S 5/2005 Kuhn et al.  
 7,008,224 B1 3/2006 Browning et al.  
 D520,138 S \* 5/2006 Kuhn et al. .... D24/152  
 D532,907 S \* 11/2006 Feinbloom et al. .... D24/152  
 D533,276 S \* 12/2006 Nakanishi ..... D24/152  
 D533,946 S \* 12/2006 Lintner et al. .... D24/152  
 D548,342 S \* 8/2007 Cohen ..... D24/146  
 D550,358 S \* 9/2007 Nakanishi ..... D24/146  
 D556,323 S \* 11/2007 Nakanishi ..... D24/146  
 2002/0119420 A1 8/2002 Bailey et al.  
 2006/0121413 A1 6/2006 Turner  
 2006/0183073 A1 8/2006 Browning et al.  
 2006/0183074 A1 8/2006 Brennan

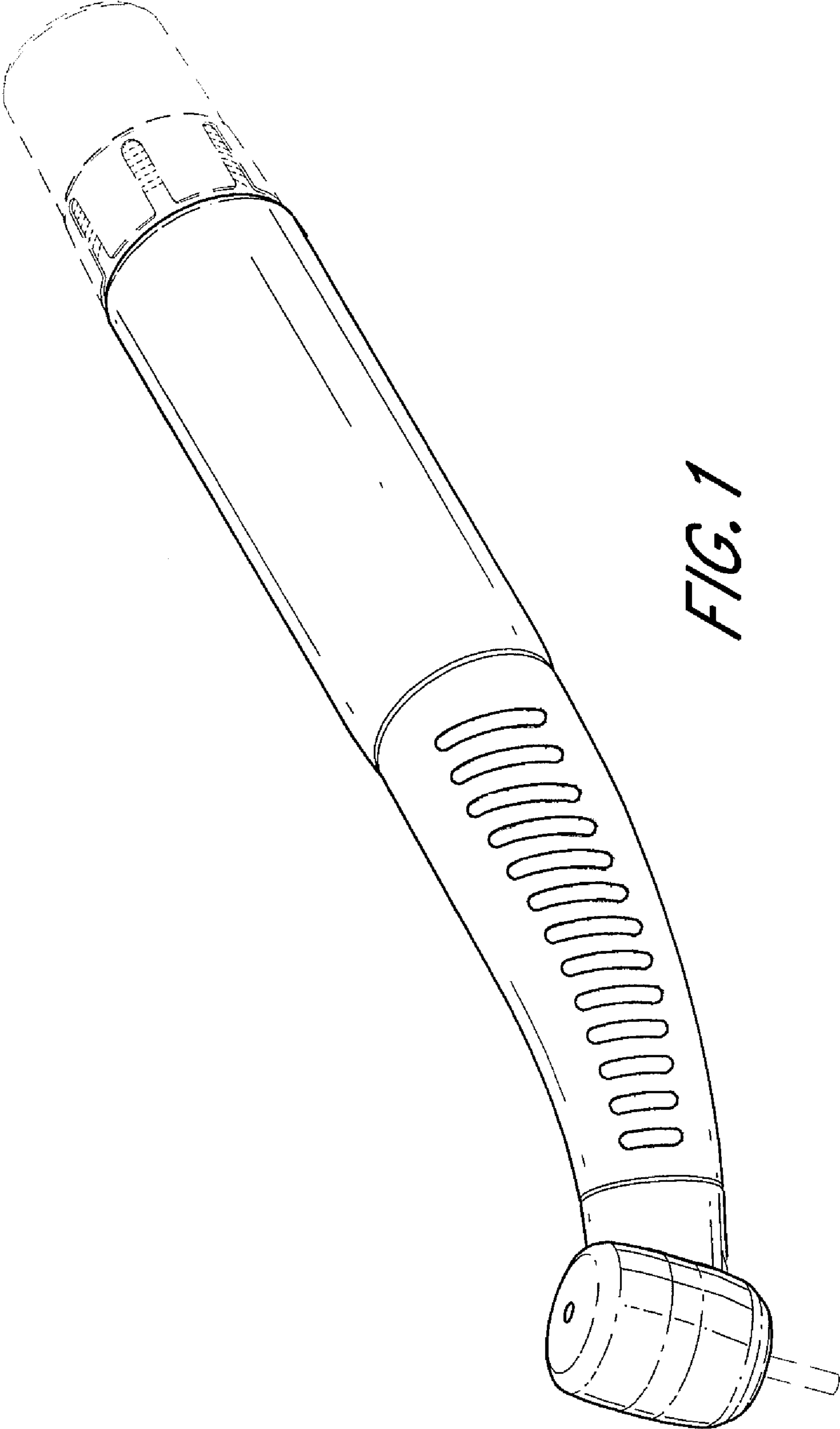
FOREIGN PATENT DOCUMENTS

EP 0925762 A1 6/1999  
 GB 1023481 5/1985  
 GB 2071913 5/1998  
 JP 1211559 8/1989  
 WO WO 91/15160 10/1991  
 WO WO 95/12361 5/1995  
 WO WO 02/076308 A2 10/2002  
 WO WO 2004-082501 A2 9/2004

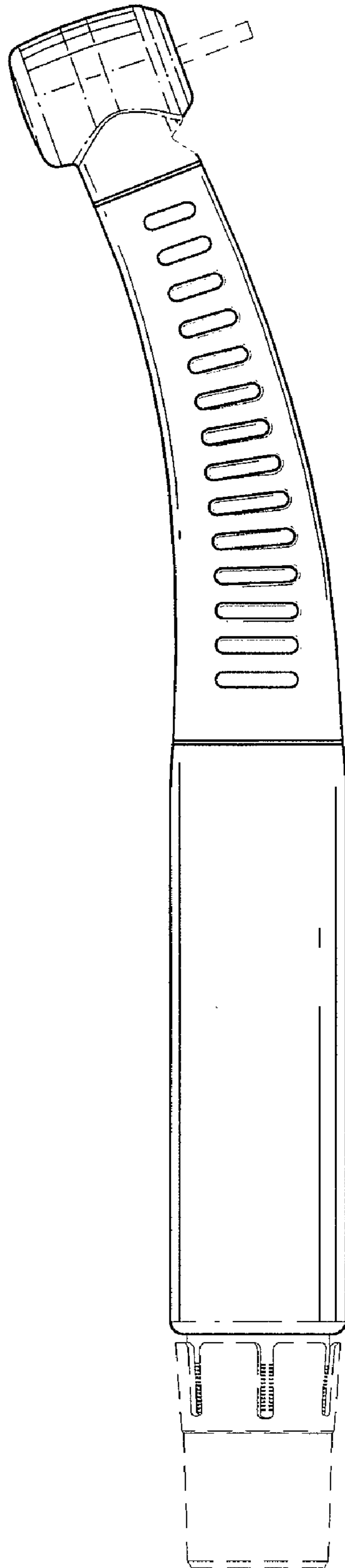
OTHER PUBLICATIONS

Dentsply Professional Midwest Stylus Brochure in 2 pages, 2005  
 Dentsply International, Des Plaines, IL.  
 Dentsply Professional Midwest System Brochure in 8 pages, 2002  
 Dentsply International, Des Plaines, IL.  
 DentalEZ Group Star Dental Solara Series Brochure in 6 pages, 2003  
 DentalEZ Group, Malvern, PA.  
 The Dental Company Sirona Handpieces Brochure in 14 pages,  
 Sirona Dental Systems LLC, Charlotte, NC.  
 DentalEZ Group StarDental 430 Series LubeFree High-Speed  
 Handpiece System Brochure in 4 pages, 2005 DentalEZ Group,  
 Lancaster, PA.  
 Copy of Supplementary European Search Report to European Appli-  
 cation No. 04 72 0427, dated Apr. 5, 2007 listing documents cited.  
 International Search Report Accompanying WO 91/15160.  
 International Search Report Accompanying WO 95/12361.  
 Office Action dated Jul. 20, 2007 for Japanese Design Application  
 No. 2007-7115.

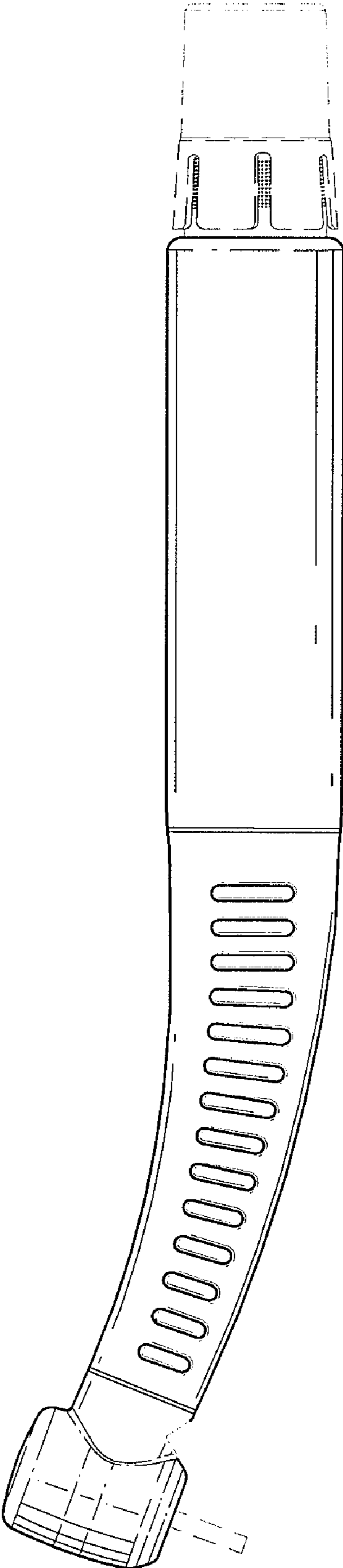
\* cited by examiner



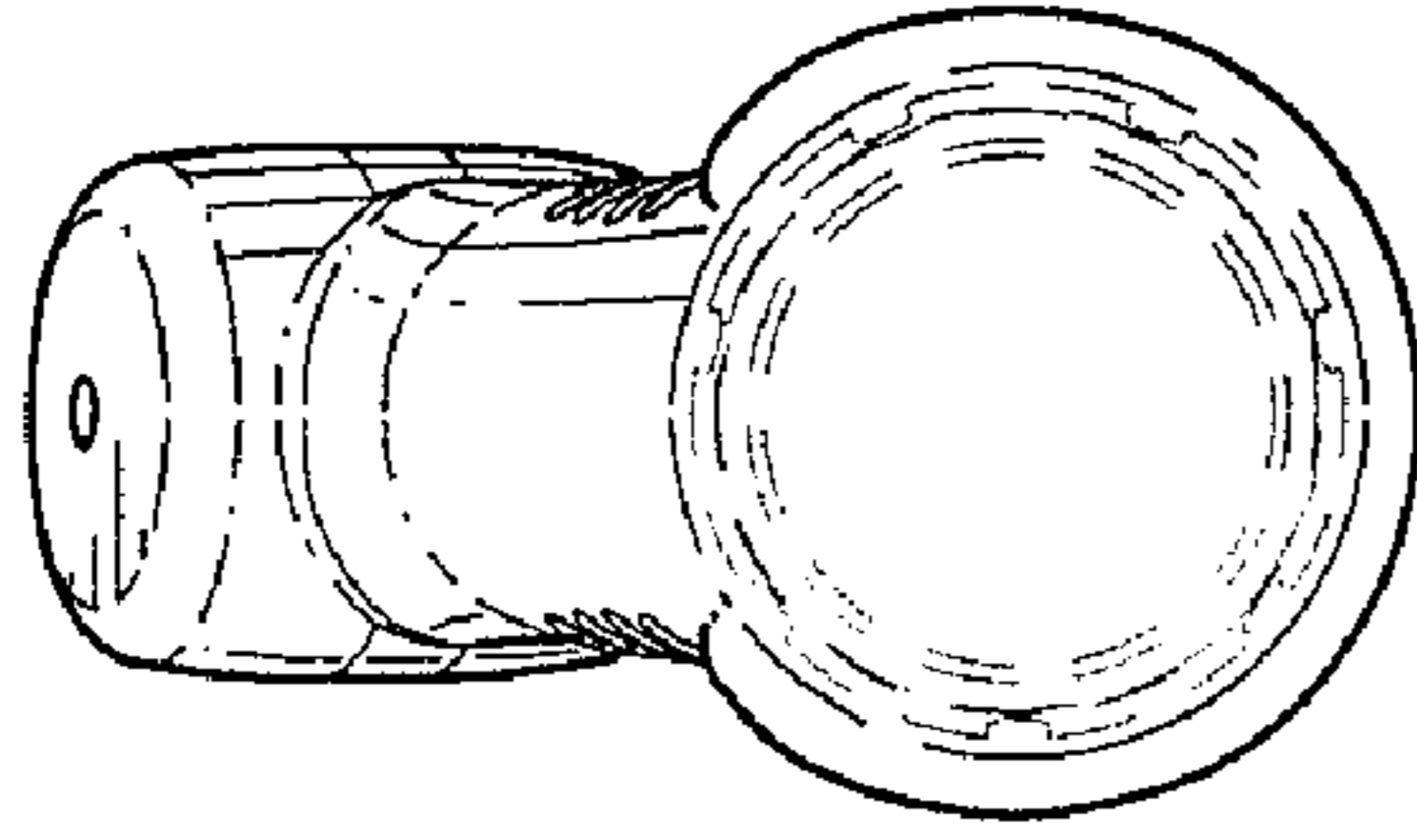
*FIG. 1*



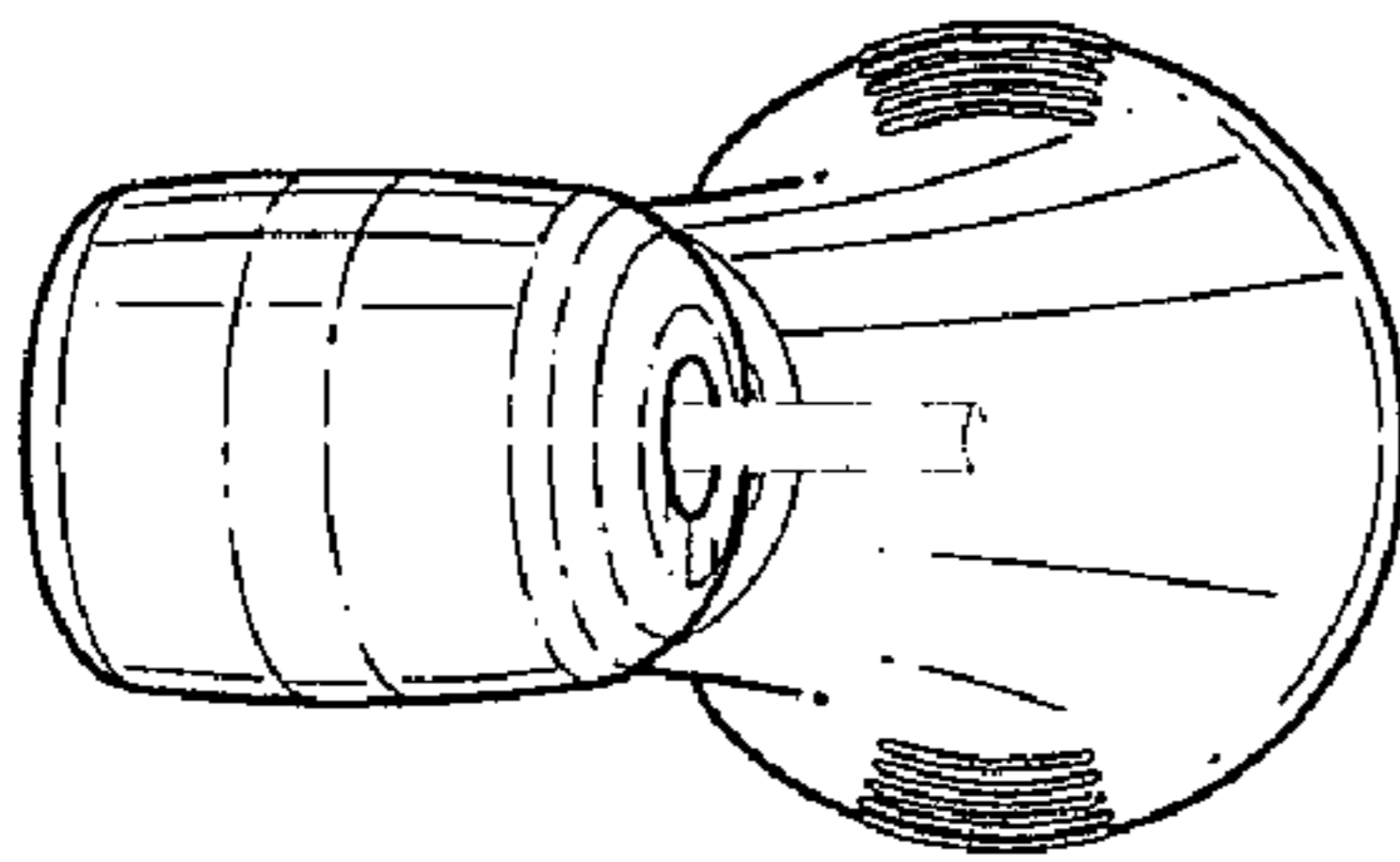
*FIG. 2*



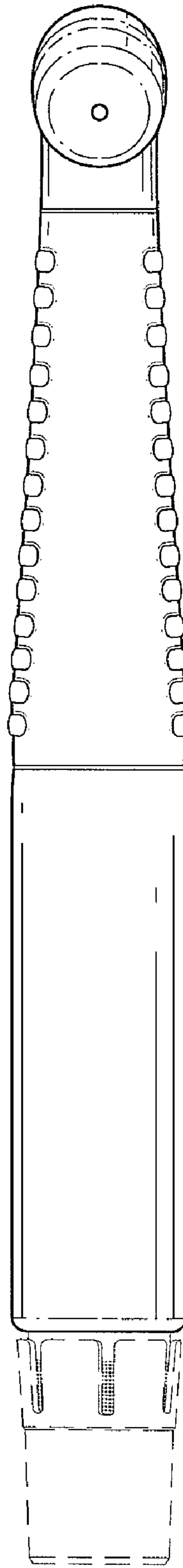
*FIG. 3*



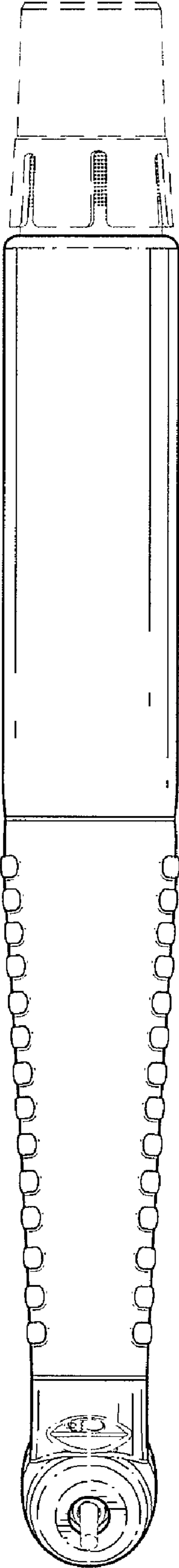
*FIG. 5*



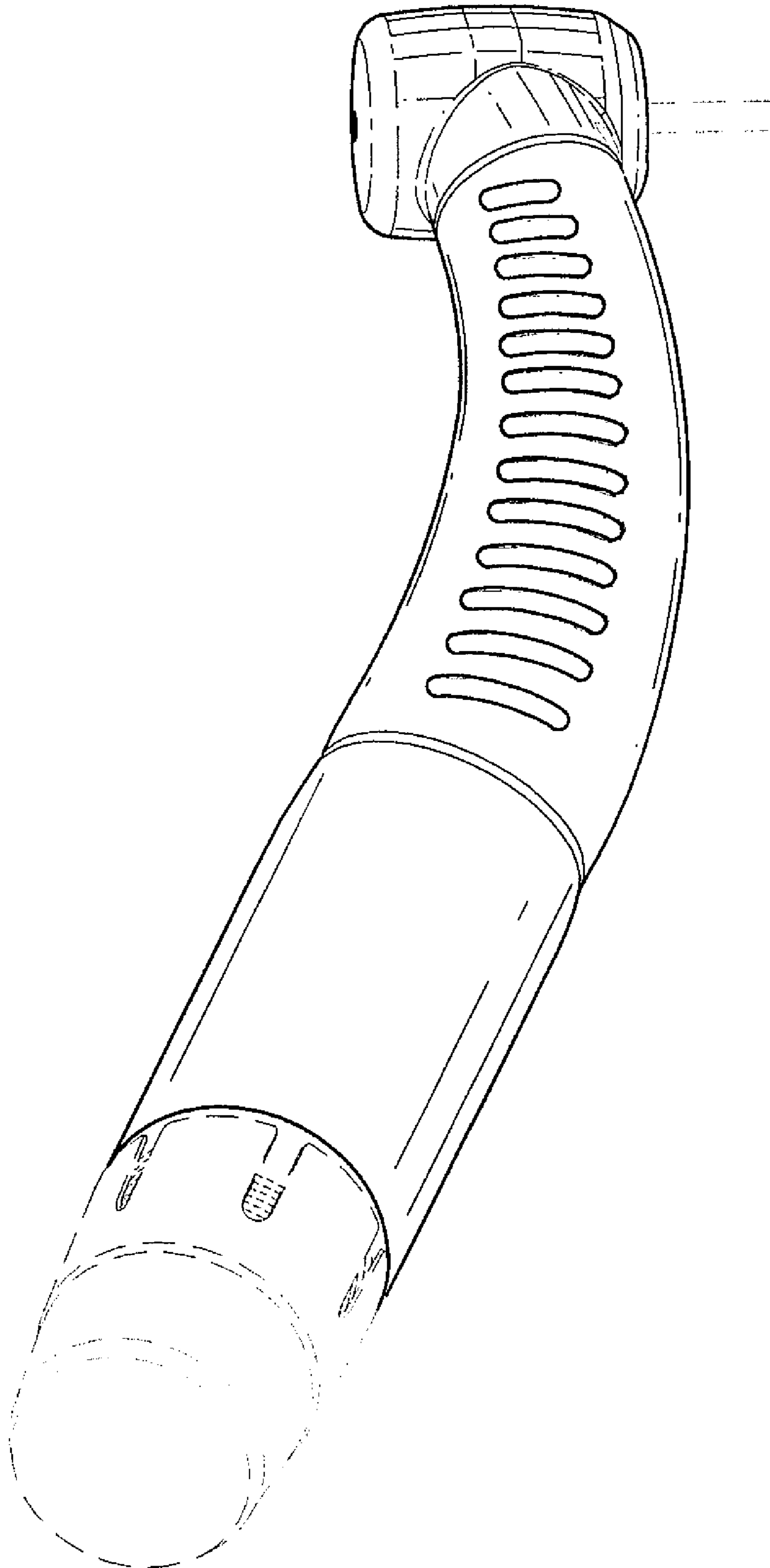
*FIG. 4*



*FIG. 6*

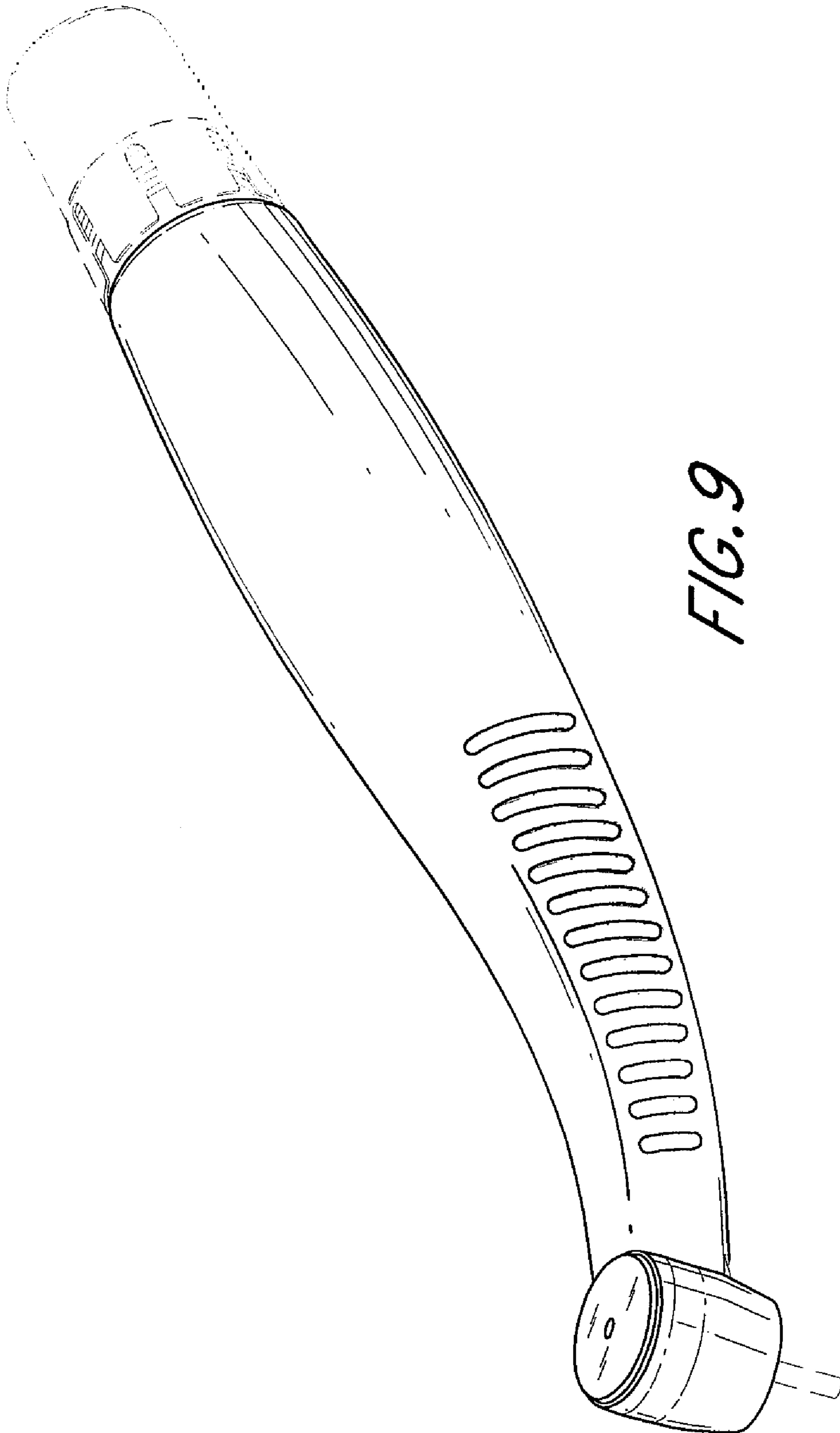


*FIG. 7*

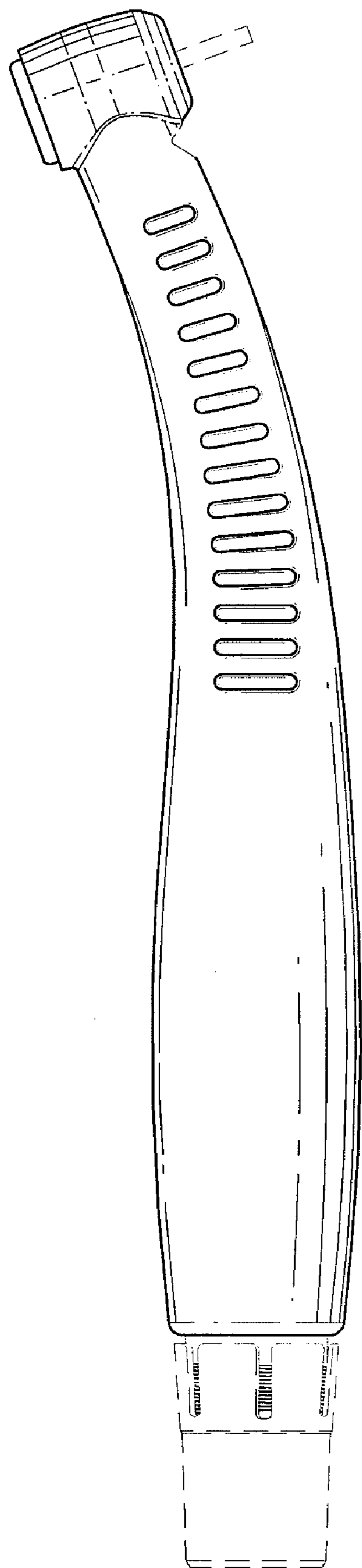


*FIG. 8*

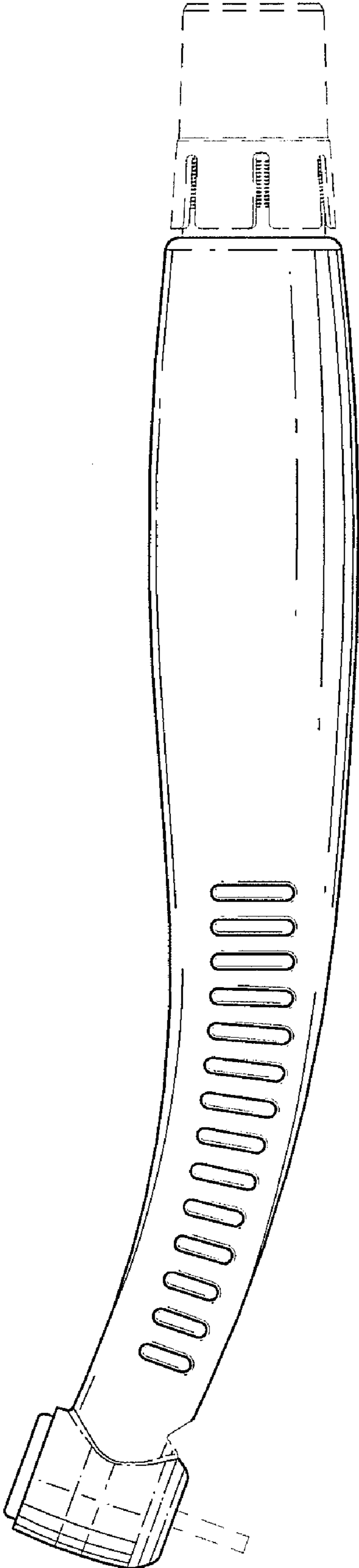




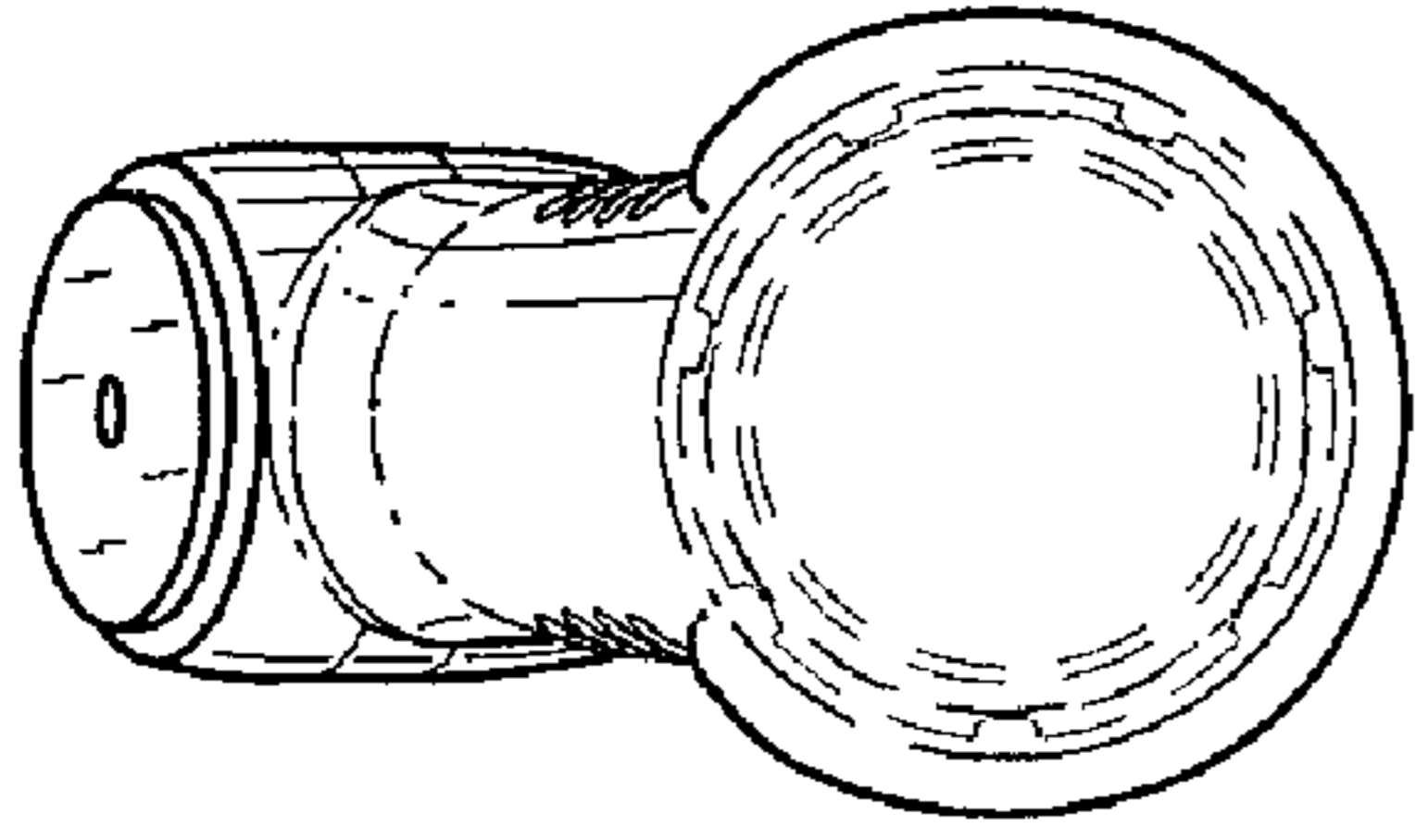
*FIG. 9*



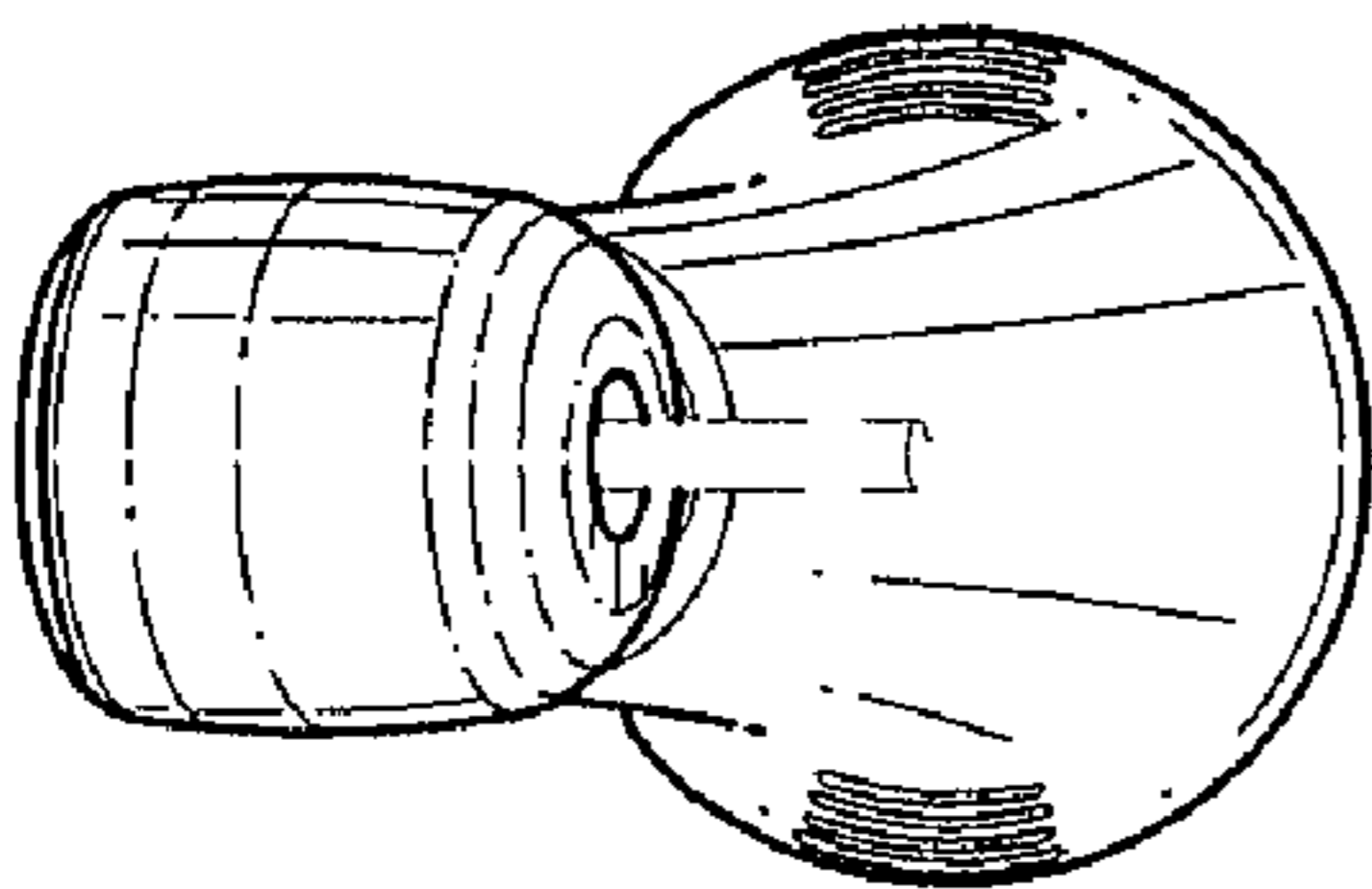
*FIG. 10*



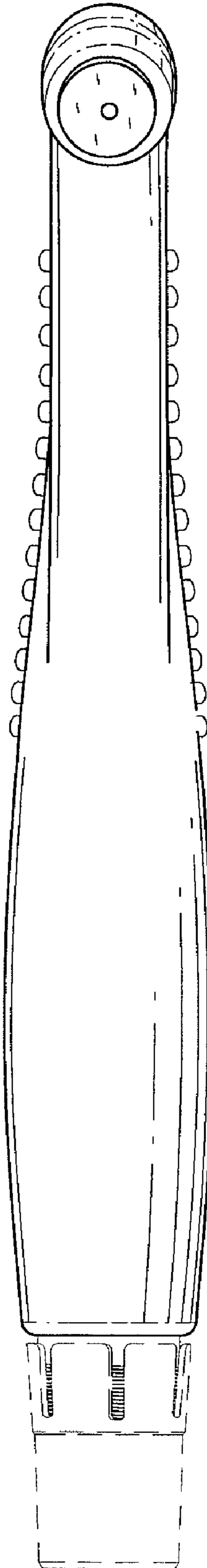
*FIG. 11*



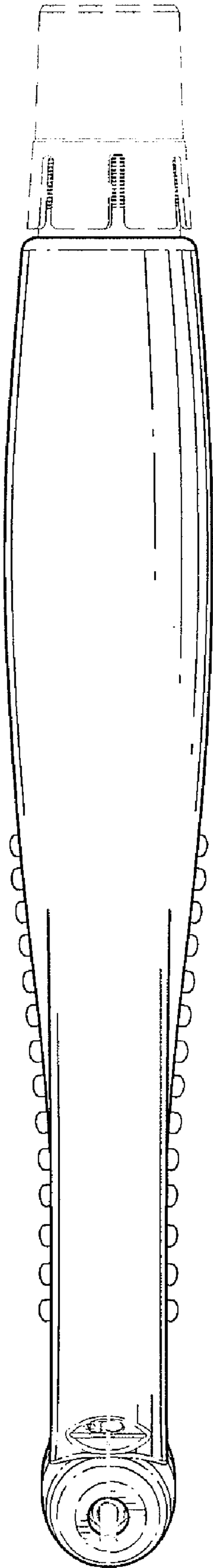
*FIG. 13*



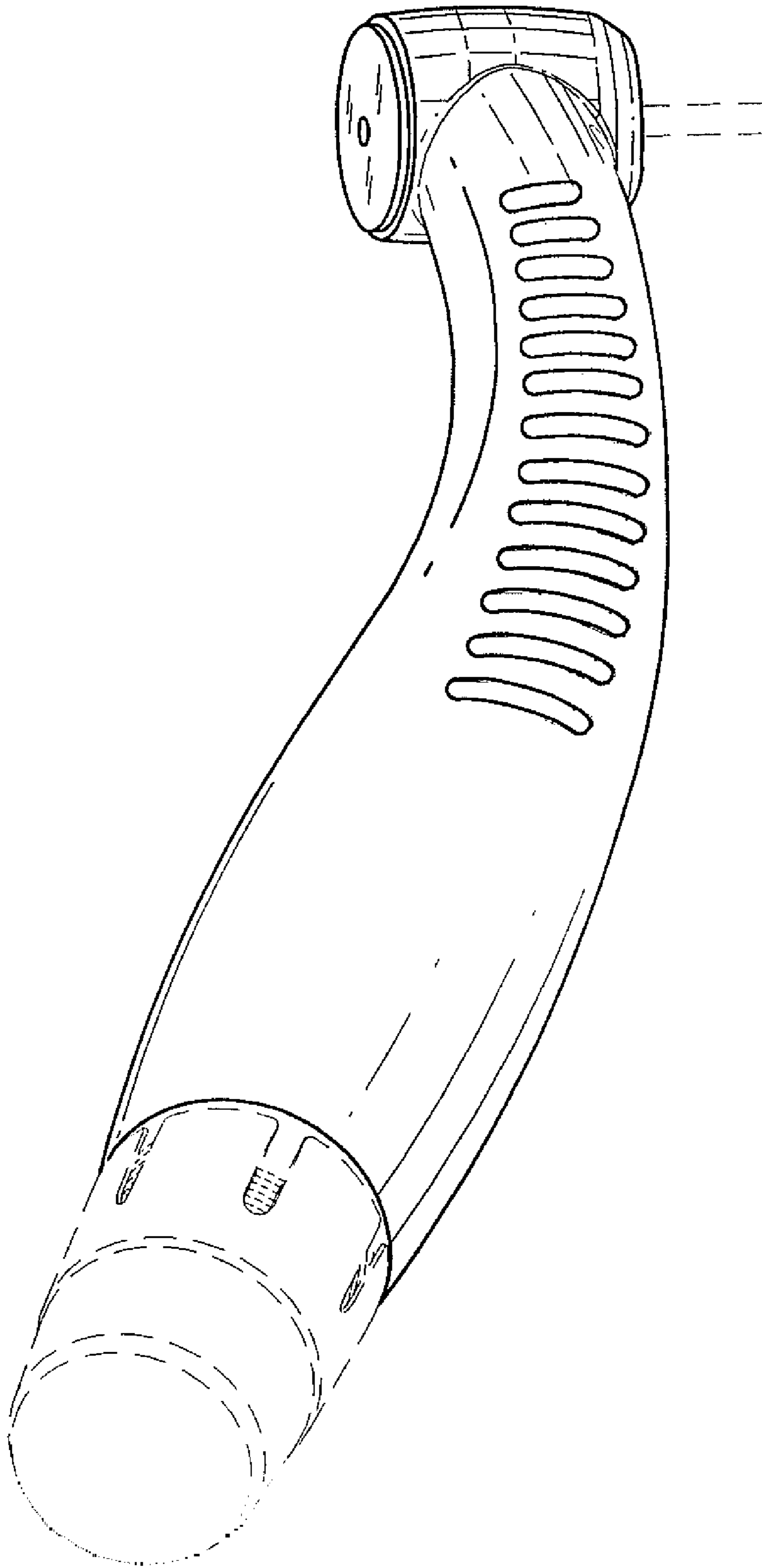
*FIG. 12*



*FIG. 14*



*FIG. 15*



*FIG. 16*