

US00D592307S

(12) **United States Design Patent**
Curry et al.

(10) **Patent No.:** **US D592,307 S**

(45) **Date of Patent:** **** May 12, 2009**

(54) **LANCET**

(75) Inventors: **Samuel Mason Curry**, Oakland, CA (US); **Vincent DiPalma**, Alameda, CA (US); **Arne Joergen Madsen**, San Francisco, CA (US); **John Andrew Trissel**, Canton, GA (US); **Ray Adams Lathrop**, Nashville, TN (US); **David Buenger**, Roswell, GA (US)

(73) Assignee: **Abbott Diabetes Care Inc.**, Alameda, CA (US)

(**) Term: **14 Years**

(21) Appl. No.: **29/319,139**

(22) Filed: **Jun. 4, 2008**

(51) **LOC (9) Cl.** **24-02**

(52) **U.S. Cl.** **D24/146**

(58) **Field of Classification Search** D24/146,
D24/147, 133; 606/181, 182, 184
See application file for complete search history.

(56) **References Cited**

U.S. PATENT DOCUMENTS

D365,630 S	12/1995	Sullivan	
D372,310 S	7/1996	Hartnett	
D428,150 S	7/2000	Ruf et al.	
D470,234 S *	2/2003	Mahurkar D24/114
D471,980 S *	3/2003	Caizza D24/130

D474,838 S	5/2003	Mahurkar	
7,241,302 B2	7/2007	Sniffen et al.	
D550,356 S *	9/2007	Anderson et al. D24/133
D561,338 S *	2/2008	Blanco D24/146
D562,981 S *	2/2008	Trissel et al. D24/147
D567,944 S *	4/2008	Sarna D24/146
2004/0098011 A1	5/2004	Vargas et al.	
2004/0243165 A1	12/2004	Koike et al.	
2005/0090850 A1	4/2005	Thoes et al.	

* cited by examiner

Primary Examiner—Ian Simmons

Assistant Examiner—Anna J Burmeister

(74) *Attorney, Agent, or Firm*—Young Basile

(57) **CLAIM**

The ornamental design for a lancet, as shown.

DESCRIPTION

FIG. 1 is a perspective view of a lancet in accordance with the invention;

FIG. 2 is a right-side view of the lancet of FIG. 1;

FIG. 3 is a left-side view of the lancet of FIG. 1;

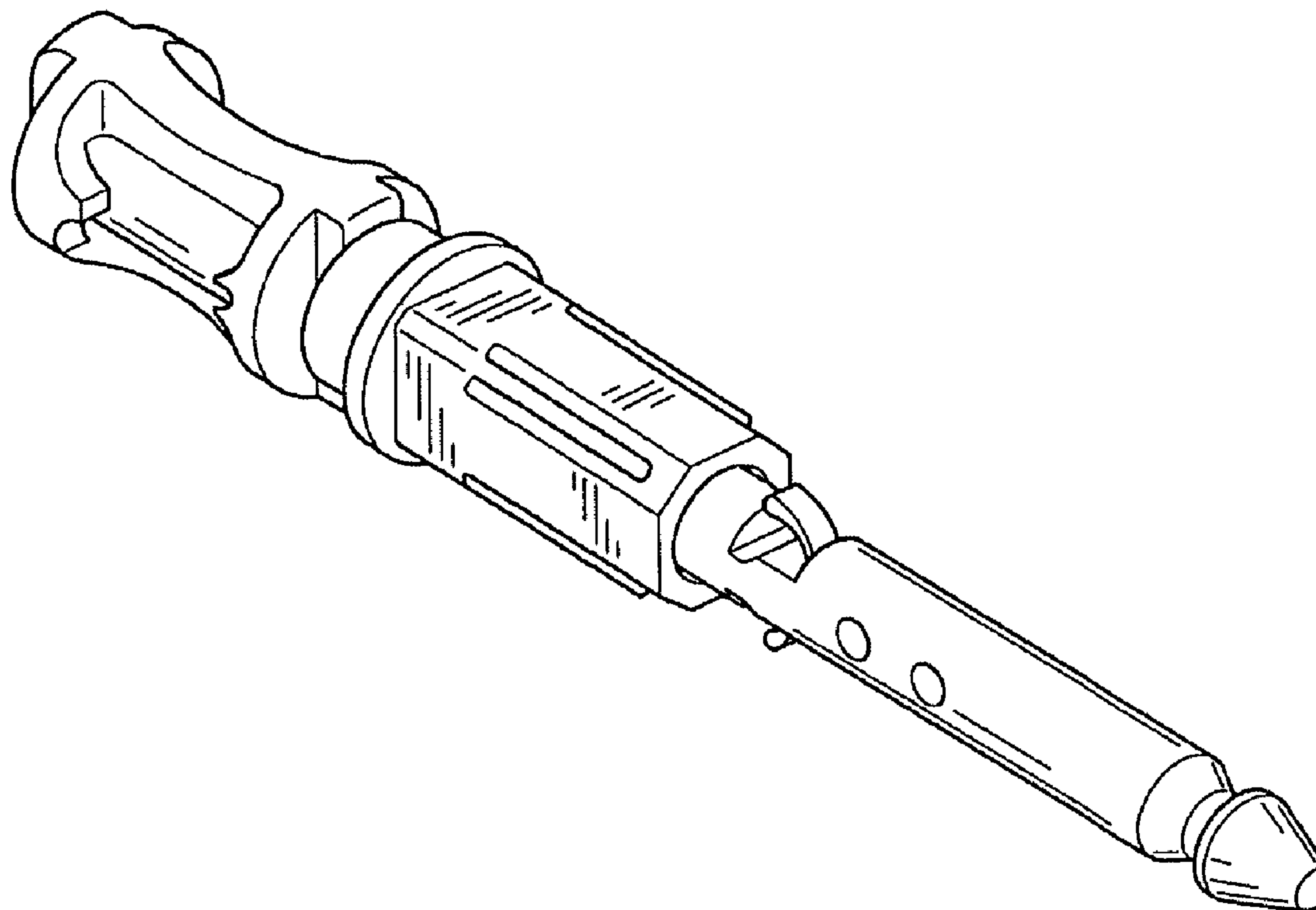
FIG. 4 is a top plan view of the lancet of FIG. 1;

FIG. 5 is a bottom plan view of the lancet of FIG. 1;

FIG. 6 is a rear elevation view of the lancet of FIG. 1; and,

FIG. 7 is a front elevation view of the lancet of FIG. 1.

1 Claim, 2 Drawing Sheets



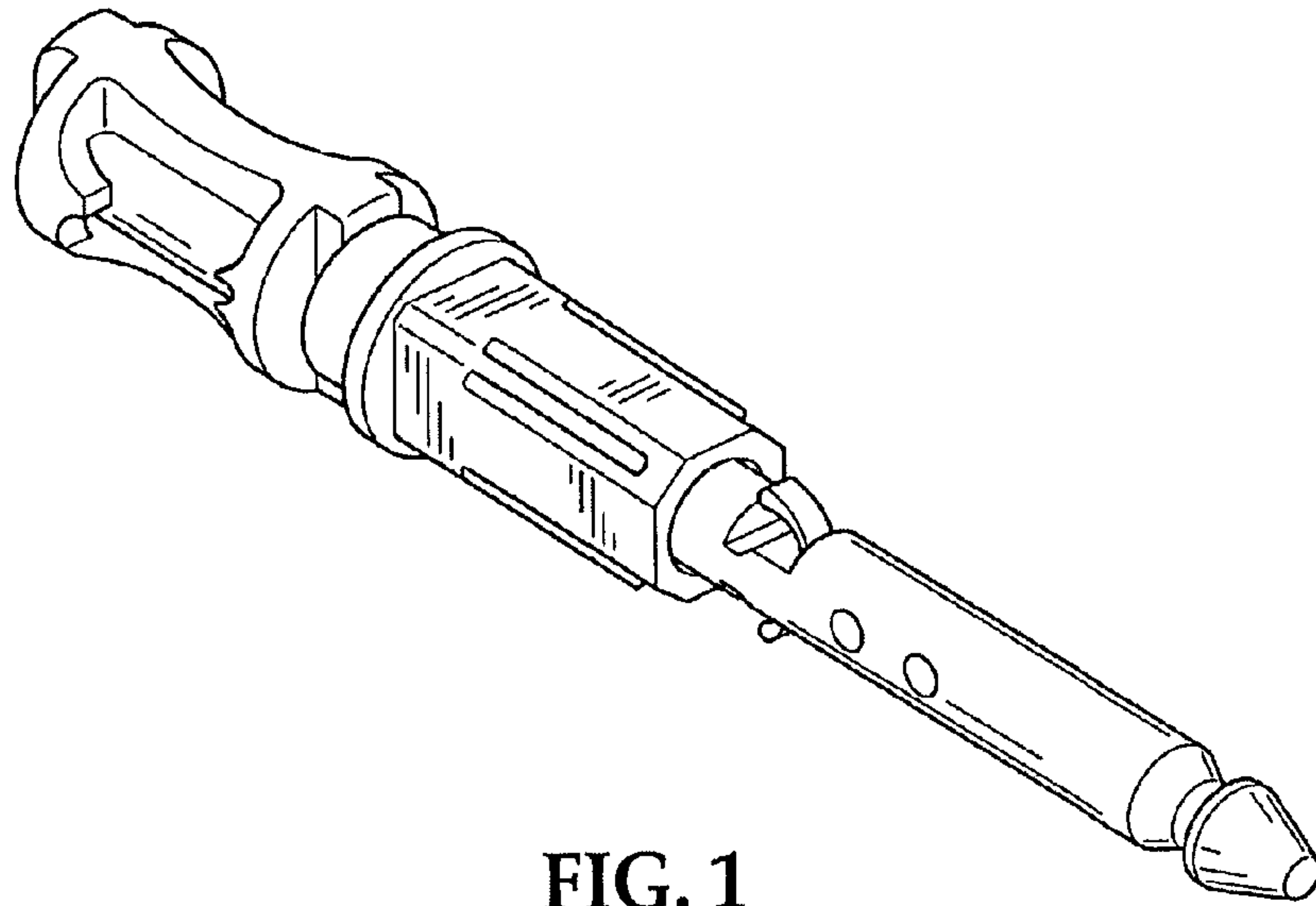


FIG. 1

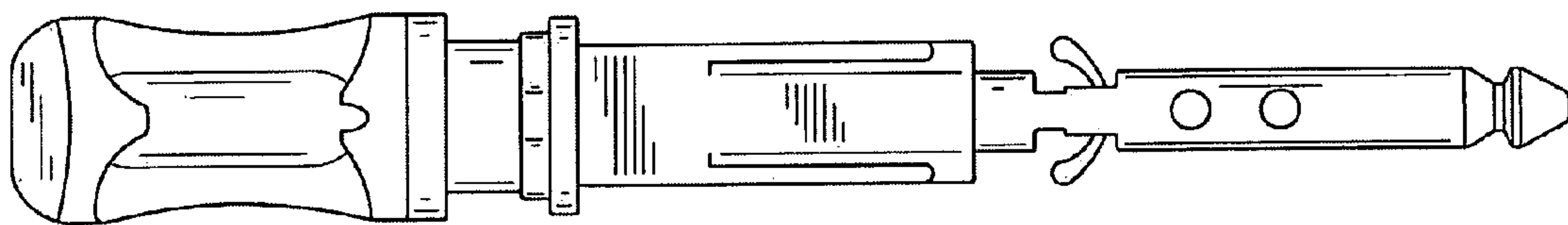


FIG. 2

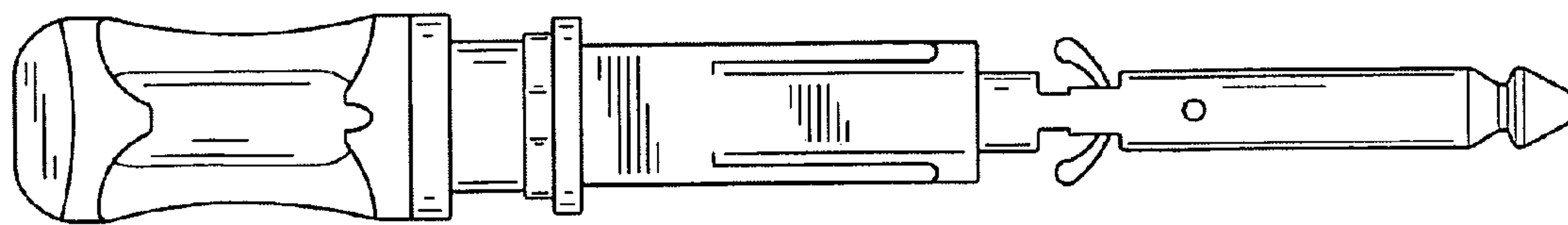


FIG. 3

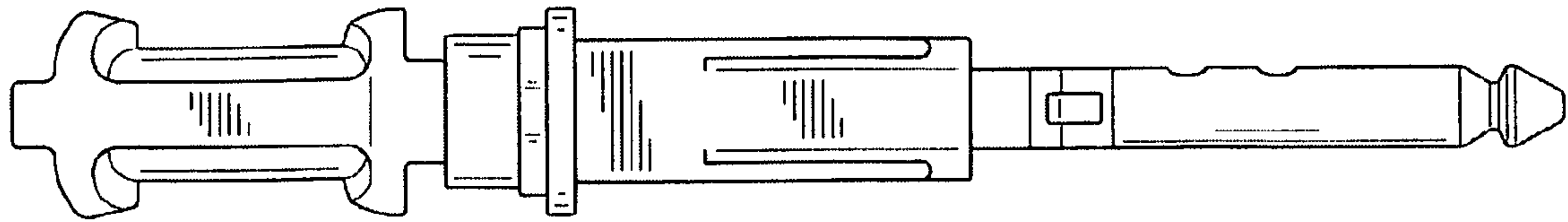


FIG. 4

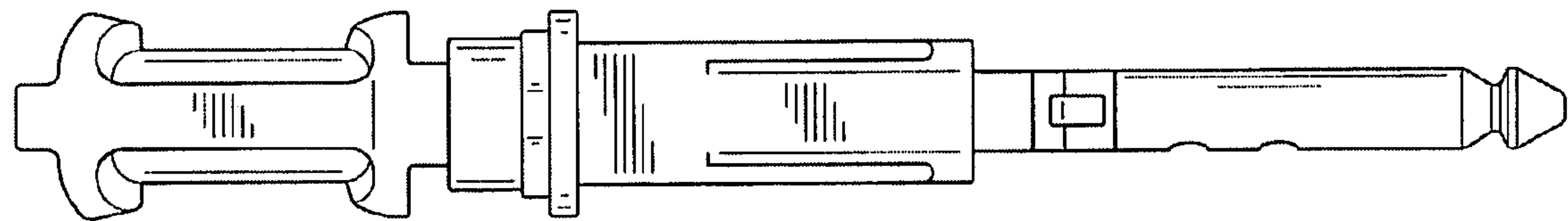


FIG. 5

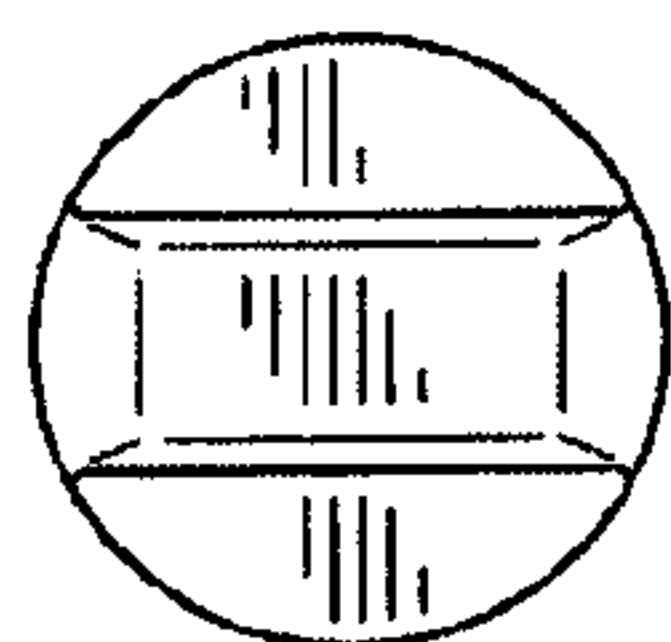


FIG. 6

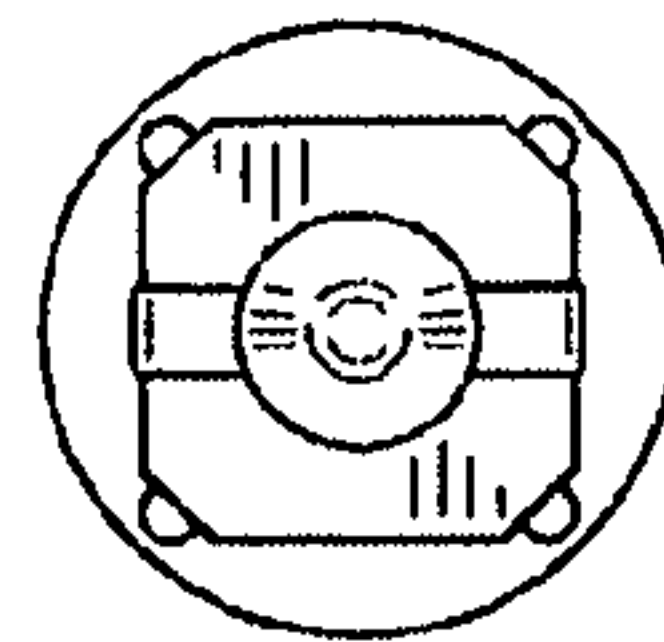


FIG. 7