



US00D592304S

(12) **United States Design Patent**
Kuehfuss

(10) **Patent No.:** **US D592,304 S**
(45) **Date of Patent:** **** May 12, 2009**

(54) **MEDICAL INSTRUMENT**

D438,966 S * 3/2001 Koros et al. D24/135
D443,493 S * 6/2001 Skeem D8/72
D455,831 S * 4/2002 Koros et al. D24/135

(75) Inventor: **Andreas Kuehfuss**, Tuttlingen (DE)

(73) Assignee: **Karl Storz GmbH & Co. KG** (DE)

* cited by examiner

(**) Term: **14 Years**

Primary Examiner—T. Chase Nelson
Assistant Examiner—Eric L Goodman

(21) Appl. No.: **29/295,930**

(74) *Attorney, Agent, or Firm*—St. Onge Steward Johnston & Reens LLC

(22) Filed: **Oct. 10, 2007**

(57) **CLAIM**

(30) **Foreign Application Priority Data**

The ornamental design for a medical instrument, as shown and described.

Apr. 12, 2007 (EM) 000705512

(51) **LOC (9) Cl.** **24-02**

DESCRIPTION

(52) **U.S. Cl.** **D24/128**

(58) **Field of Classification Search** D24/127–128,
D24/135; D8/72; 248/226.4, 231.7, 231.5,
248/230, 311.3, 318, 249; 128/898; 600/407,
600/410; 604/500

FIG. 1 is a front perspective view of a medical instrument in accordance with the new design;

FIG. 2 is a right side view thereof;

FIG. 3 is a left side view thereof;

FIG. 4 is a front view thereof;

FIG. 5 is a rear view thereof;

FIG. 6 is a top view thereof; and,

FIG. 7 is a bottom view thereof.

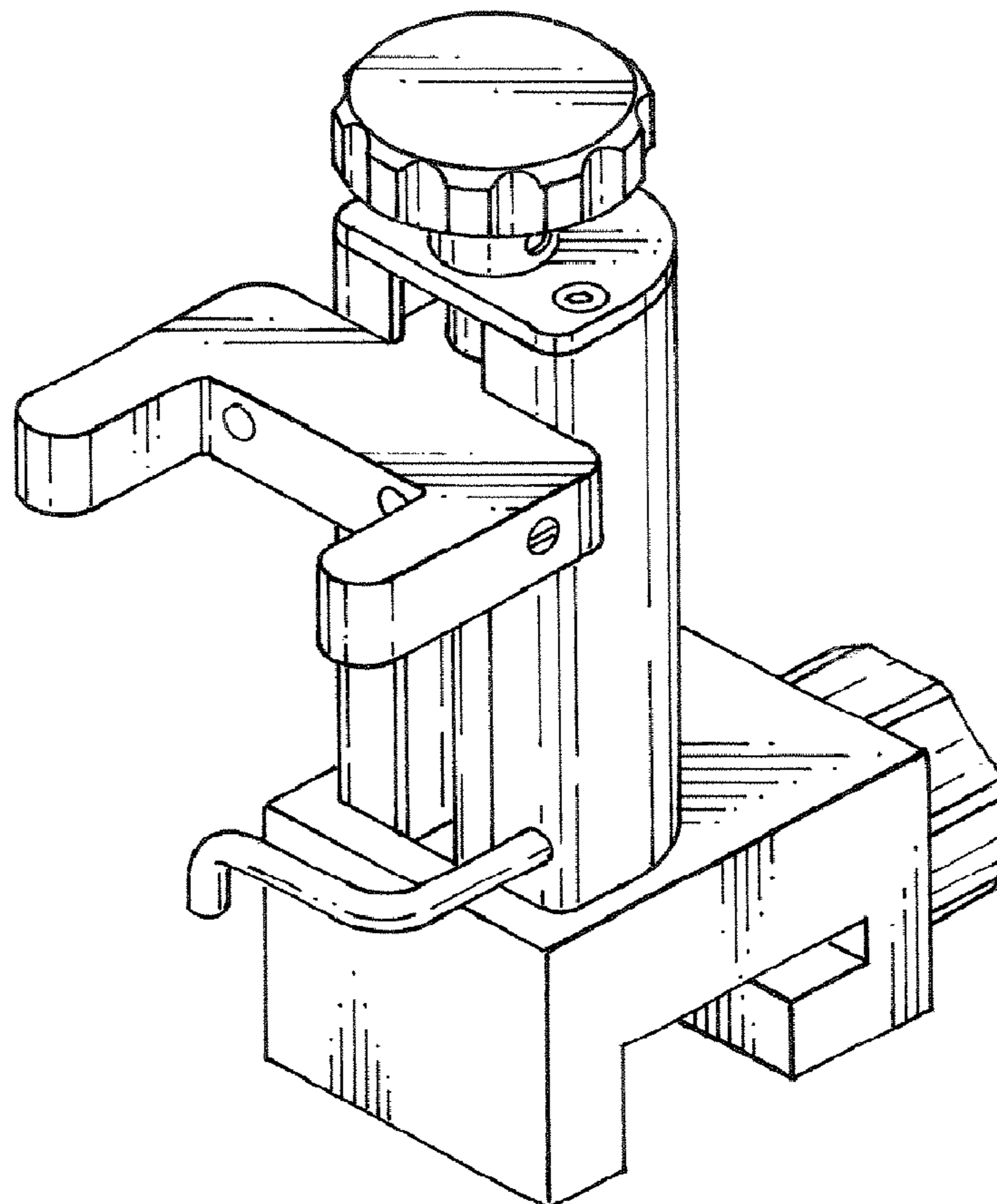
See application file for complete search history.

(56) **References Cited**

U.S. PATENT DOCUMENTS

D262,237 S * 12/1981 Stauber D24/128
D304,200 S * 10/1989 MacKelvie D15/140
D419,673 S * 1/2000 Schattner D24/128

1 Claim, 3 Drawing Sheets



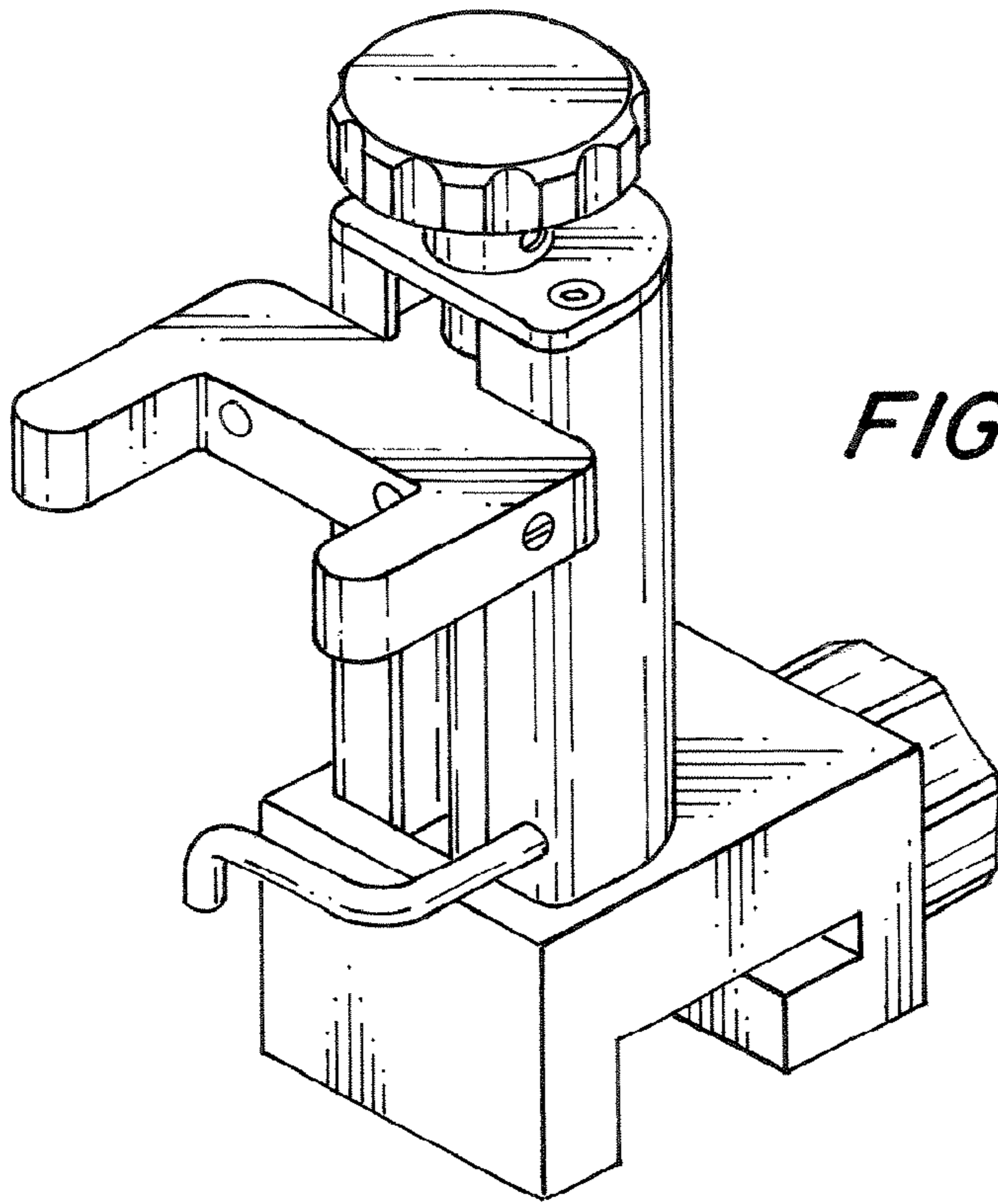


FIG. 1

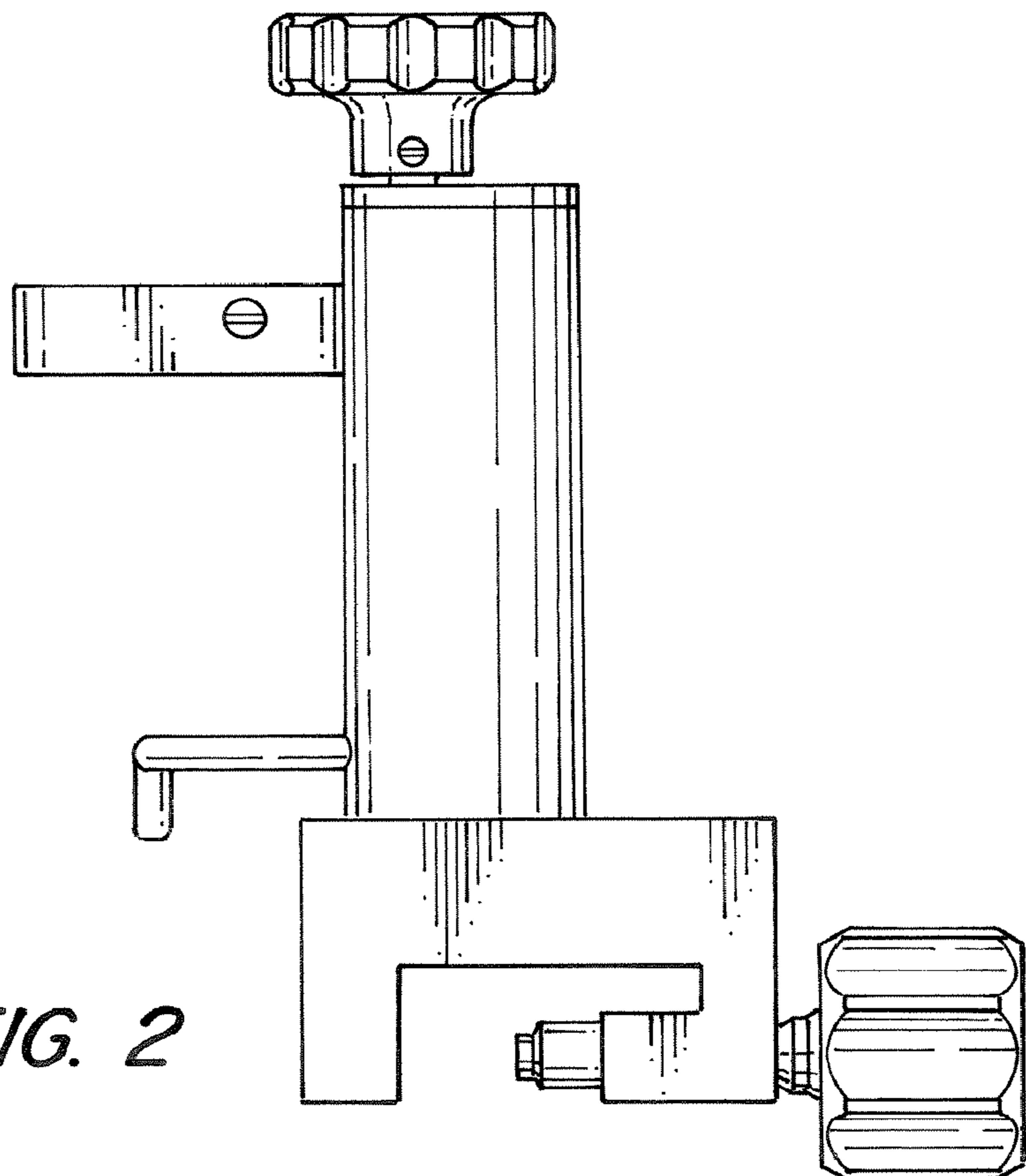


FIG. 2

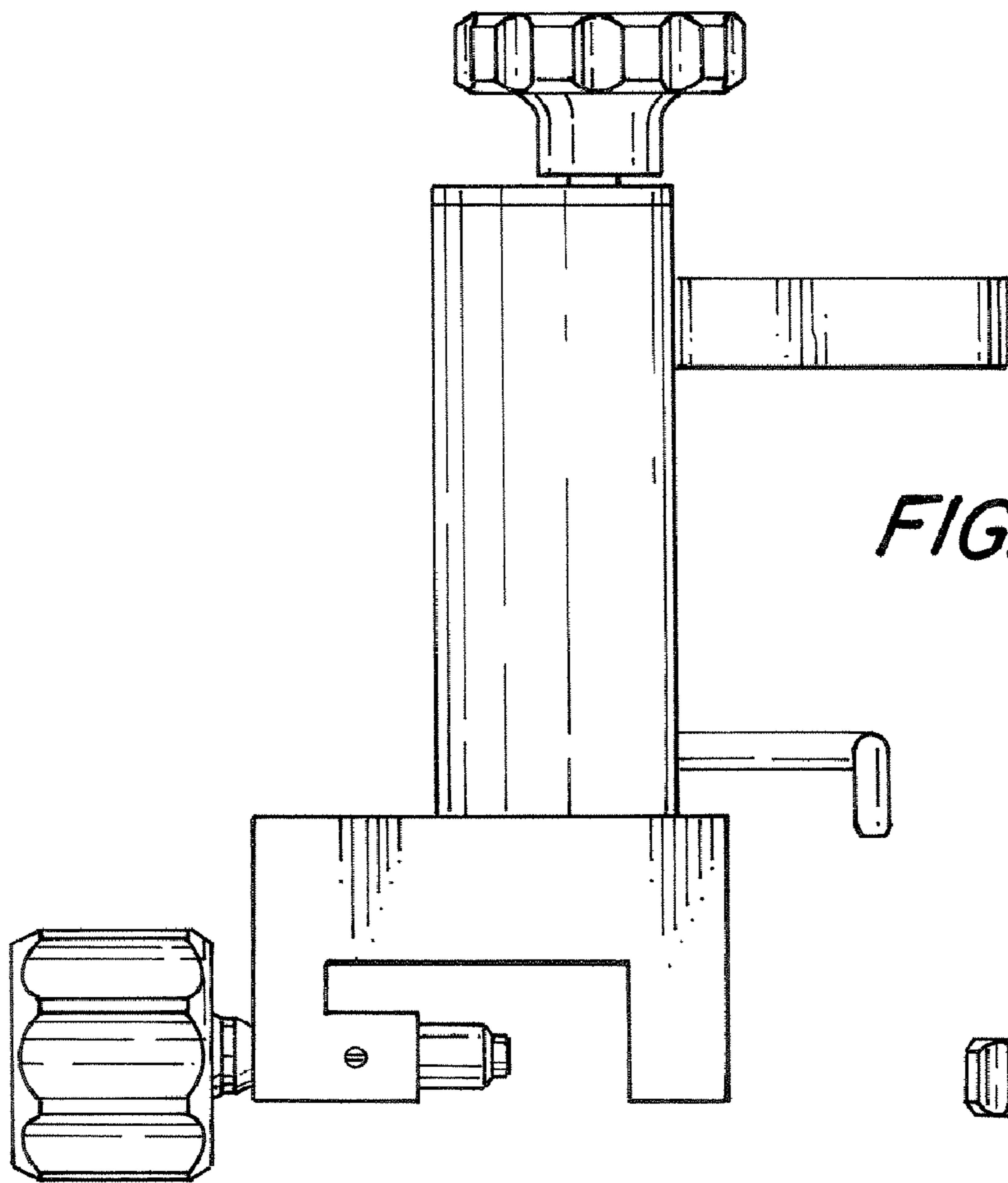


FIG. 3

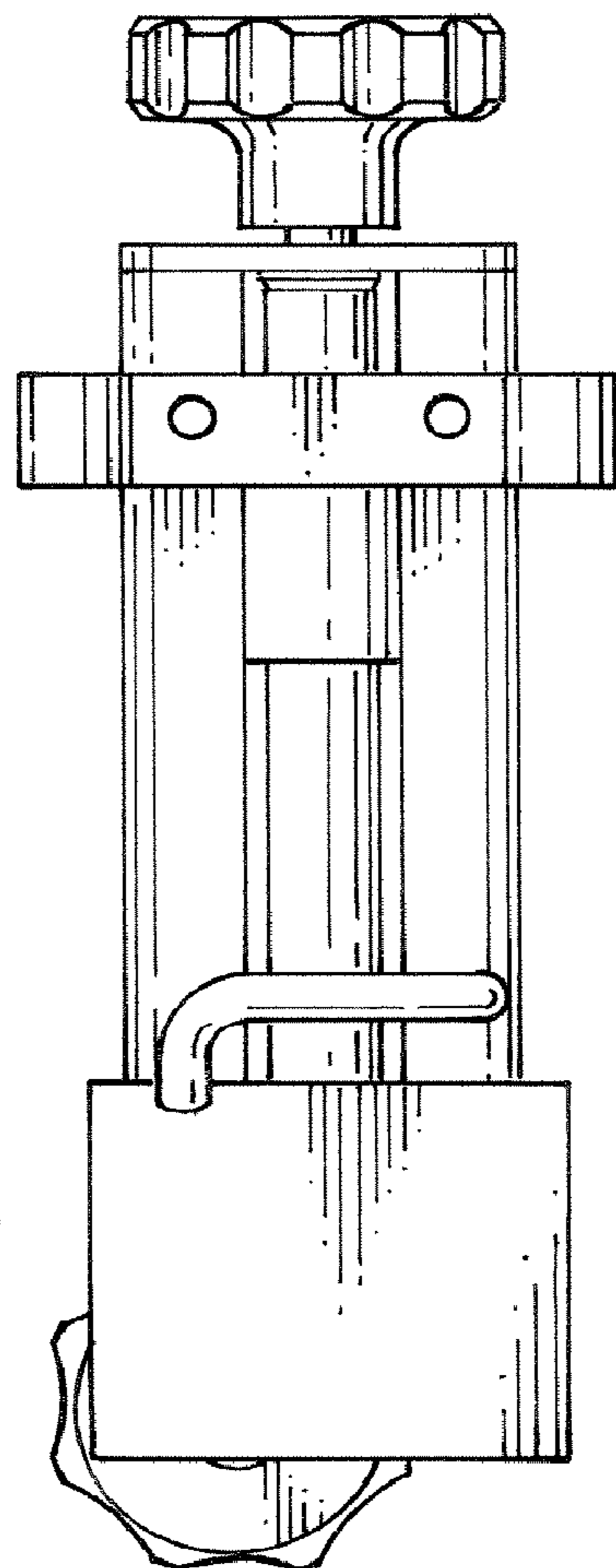


FIG. 4

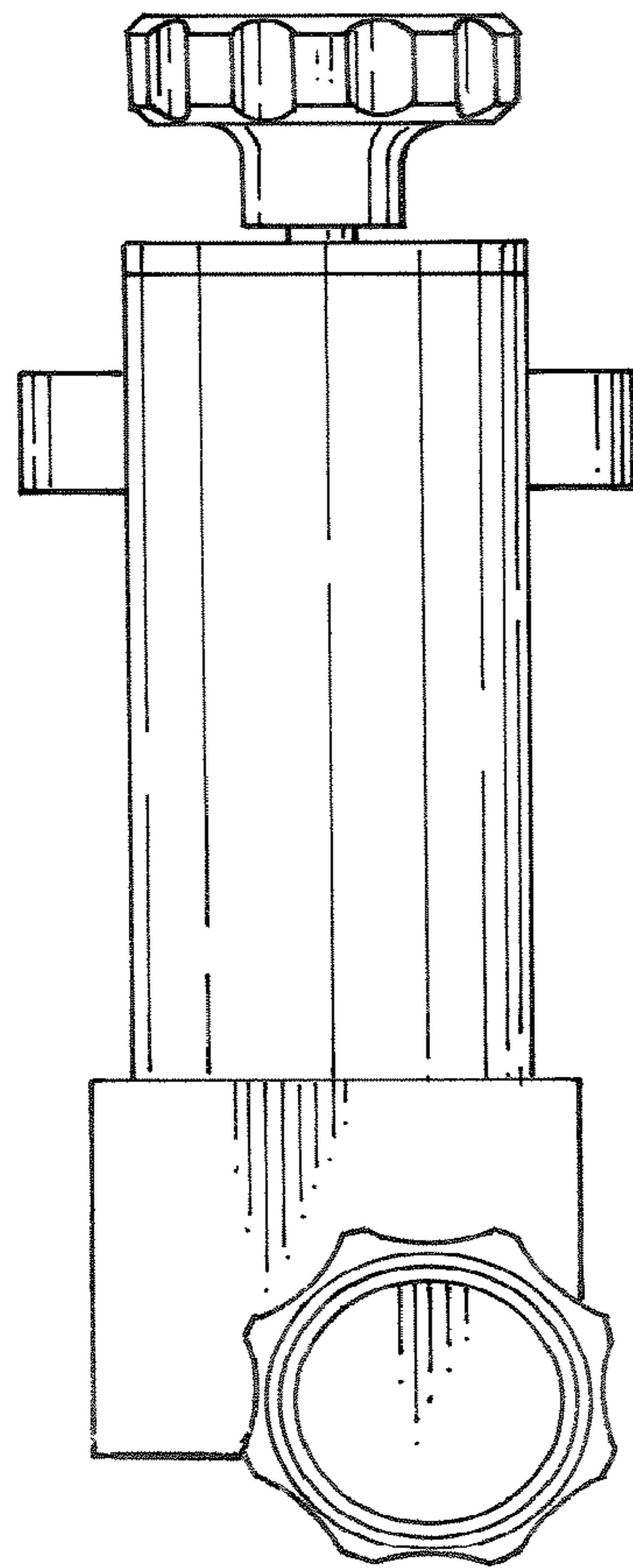


FIG. 5

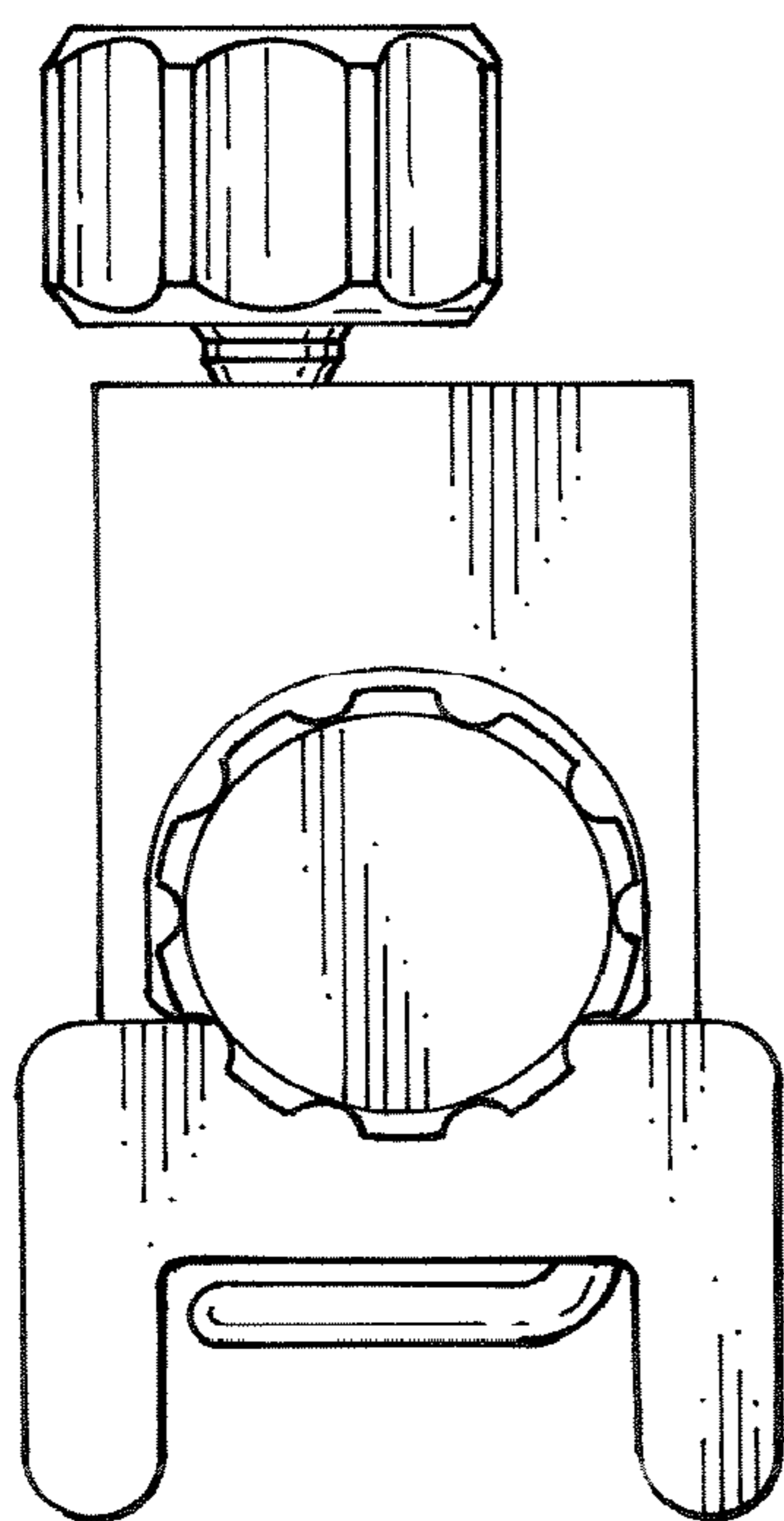


FIG. 6

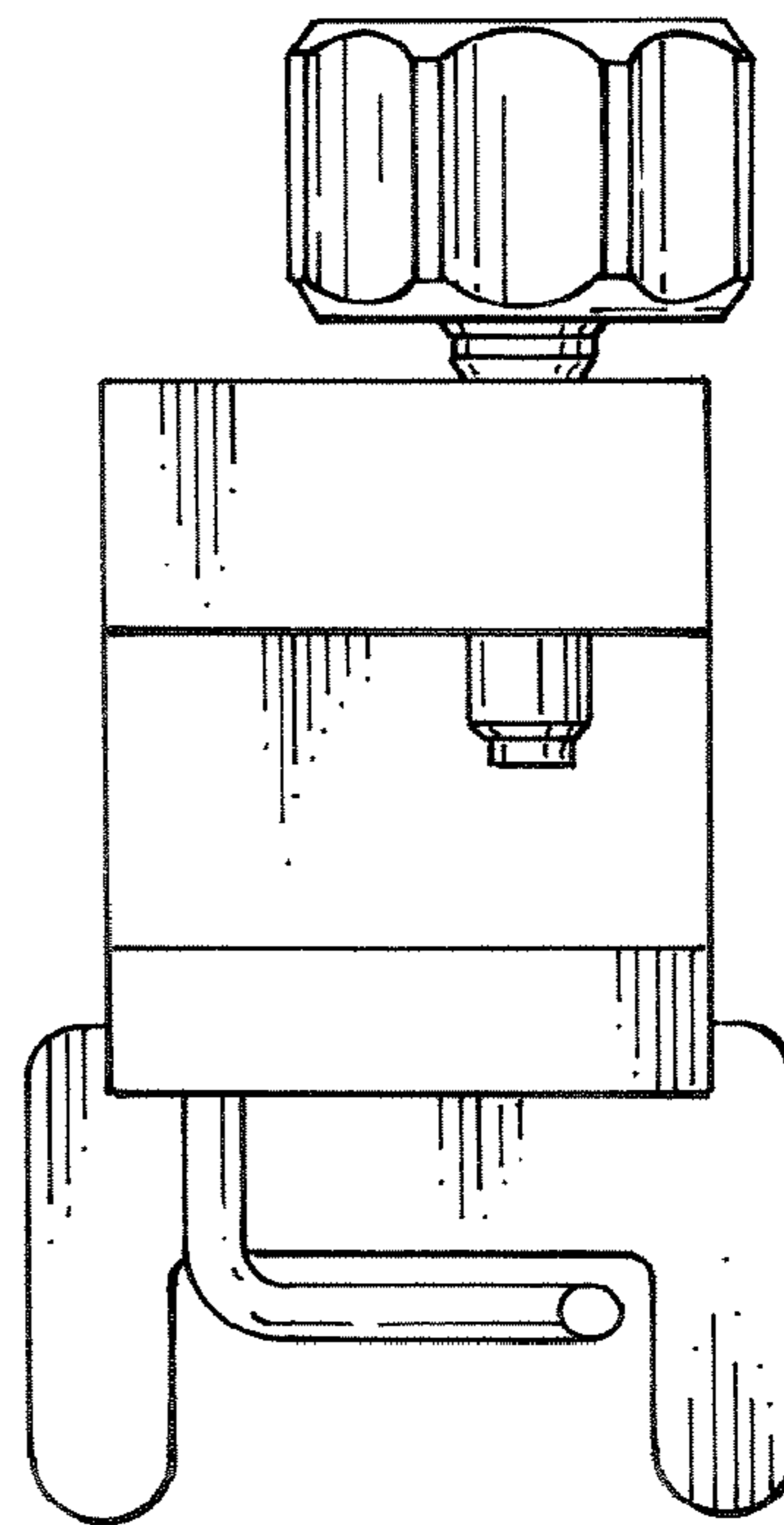


FIG. 7

UNITED STATES PATENT AND TRADEMARK OFFICE
CERTIFICATE OF CORRECTION

PATENT NO. : Des. 592,304 S
APPLICATION NO. : 29/295930
DATED : May 12, 2009
INVENTOR(S) : Andreas Kuehfuss

Page 1 of 1

It is certified that error appears in the above-identified patent and that said Letters Patent is hereby corrected as shown below:

Title page, item (75) Inventor: should read as follows: Andreas Kuehfuss, Wurmlingen (DE)

Signed and Sealed this

First Day of September, 2009



David J. Kappos
Director of the United States Patent and Trademark Office