

US00D592303S

(12) **United States Design Patent**
Chesnin

(10) **Patent No.:** **US D592,303 S**
(45) **Date of Patent:** **** May 12, 2009**

(54) **CATHETER INFORMATION CLIP**
(75) Inventor: **Kenneth Chesnin**, Philadelphia, PA
(US)
(73) Assignee: **Medical Components, Inc.**,
Harleysville, PA (US)

5,309,604 A 5/1994 Poulsen
5,316,246 A 5/1994 Scott et al.
5,407,109 A 4/1995 Zuckerman
D366,609 S * 1/1996 McDonald D8/396
D381,367 S 7/1997 Rashman
5,950,883 A 9/1999 Bond et al.

(Continued)

(**) Term: **14 Years**

FOREIGN PATENT DOCUMENTS

(21) Appl. No.: **29/269,482**

GB 2042131 9/1980

(22) Filed: **Nov. 30, 2006**

Primary Examiner—T. Chase Nelson
Assistant Examiner—David G Muller

(51) **LOC (9) Cl.** **24-02**

(52) **U.S. Cl.** **D24/128**

(58) **Field of Classification Search** D24/128,
D24/130, 127, 112, 114, 133, 113, 186, 104;
606/181, 185; 604/189, 232, 187; 248/58,
248/62, 74.1, 68.1, 65; 40/299.01, 316; D8/396,
D8/354, 373; D15/140; 24/569; 4/648,
4/649; 126/82

(74) *Attorney, Agent, or Firm*—Anton P. Ness; Fox
Rothschild LLP

See application file for complete search history.

(57) **CLAIM**

The ornamental design for a catheter information clip, as
shown and described.

(56) **References Cited**

U.S. PATENT DOCUMENTS

D31,083 S 6/1899 Seng
1,580,649 A 4/1926 Christiansen
3,068,600 A 12/1962 Blanchet
D228,622 S * 10/1973 Jublin D8/373
D228,738 S * 10/1973 Abrizzi D8/396
4,256,132 A 3/1981 Gunter
4,378,648 A 4/1983 Loof et al.
4,429,852 A 2/1984 Tersteegen et al.
D273,993 S 5/1984 Schulte et al.
4,497,124 A 2/1985 Olive
4,775,121 A 10/1988 Carty
4,876,810 A 10/1989 Piana et al.
D308,818 S * 6/1990 Powrzanas D8/396
D309,255 S * 7/1990 Karow, Jr. D8/396
5,035,399 A 7/1991 Rantanen-Lee
5,138,784 A 8/1992 Niwa
5,203,056 A 4/1993 Funk et al.
5,275,282 A 1/1994 Ross et al.
5,281,228 A 1/1994 Wolfson

DESCRIPTION

FIG. 1 is an isometric view of a first embodiment of catheter
information clip according to the present invention; a catheter
is shown in broken lines for purposes of illustrating environ-
ment only and forms no part of the claimed design.

FIG. 2 is an isometric view of the catheter information clip
shown in FIG. 1, without the broken line catheter.

FIG. 3 is a proximal end view of the catheter information clip
shown in FIG. 1, the distal end view being a mirror image
thereof.

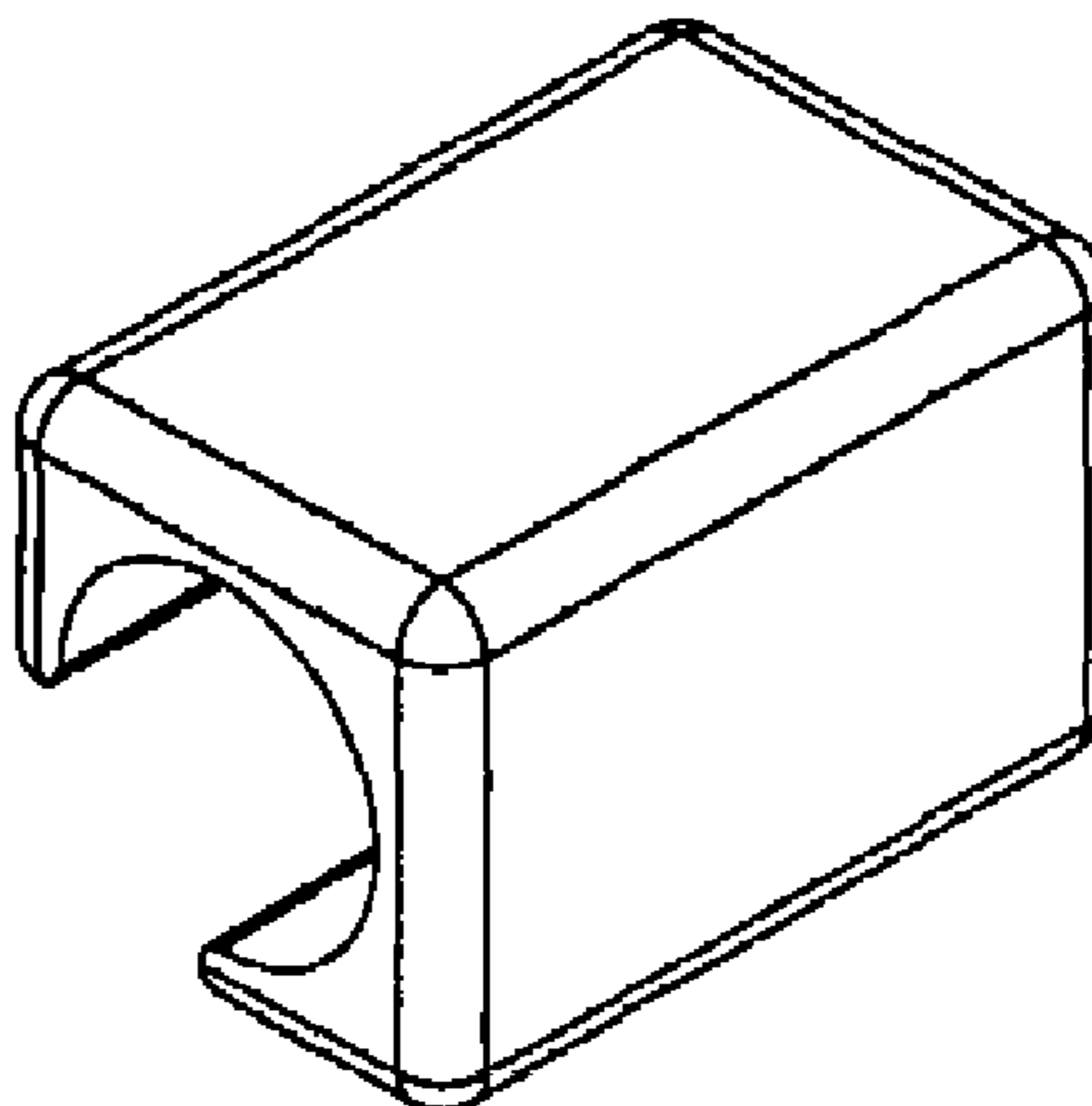
FIG. 4 is a bottom view of the catheter information clip shown
in FIG. 1.

FIG. 5 is a top view of the catheter information clip shown in
FIG. 1.

FIG. 6 is a right side view of the catheter information clip
shown in FIG. 1; and,

FIG. 7 is a left side view of the catheter information clip
shown in FIG. 1.

1 Claim, 1 Drawing Sheet



US D592,303 S

Page 2

U.S. PATENT DOCUMENTS							
5,971,436	A	10/1999	Cox	D539,639	S *	4/2007	Nagle D8/396
D417,141	S *	11/1999	Senninger D8/396	D571,005	S *	6/2008	Chesnin et al. D24/128
5,974,708	A	11/1999	Webb et al.	D573,255	S *	7/2008	Stephens D24/128
6,089,527	A	7/2000	Utterberg	2003/0066218	A1	4/2003	Schweikert
D477,776	S	7/2003	Pontaoe	2003/0093932	A1	5/2003	Battaglia, Jr.
6,651,362	B2	11/2003	Caveney	2004/0068902	A1	4/2004	Hadzic et al.
D489,452	S	5/2004	Schweikert	2004/0159024	A1	8/2004	Wortley et al.
D491,265	S	6/2004	Schweikert	2005/0044759	A1	3/2005	Schweikert
D498,299	S	11/2004	Schweikert	2005/0173597	A1 *	8/2005	Farrell et al. 248/68.1
6,823,617	B2	11/2004	Schweikert	2006/0260276	A1 *	11/2006	Baldwin 604/189
D539,133	S *	3/2007	Nagle D8/396	2008/0095573	A1 *	4/2008	Hewett et al. 248/74.1

* cited by examiner

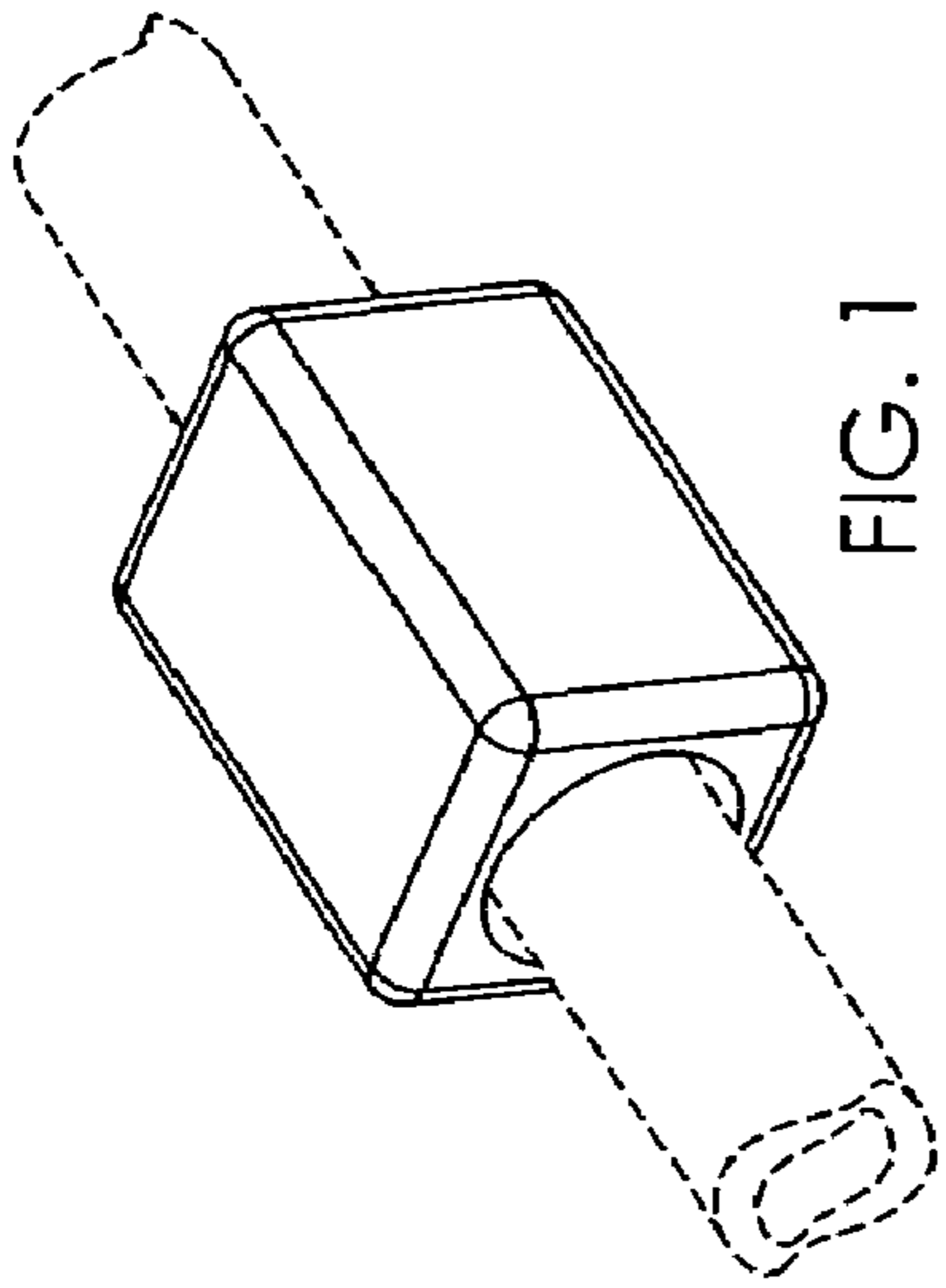


FIG. 1

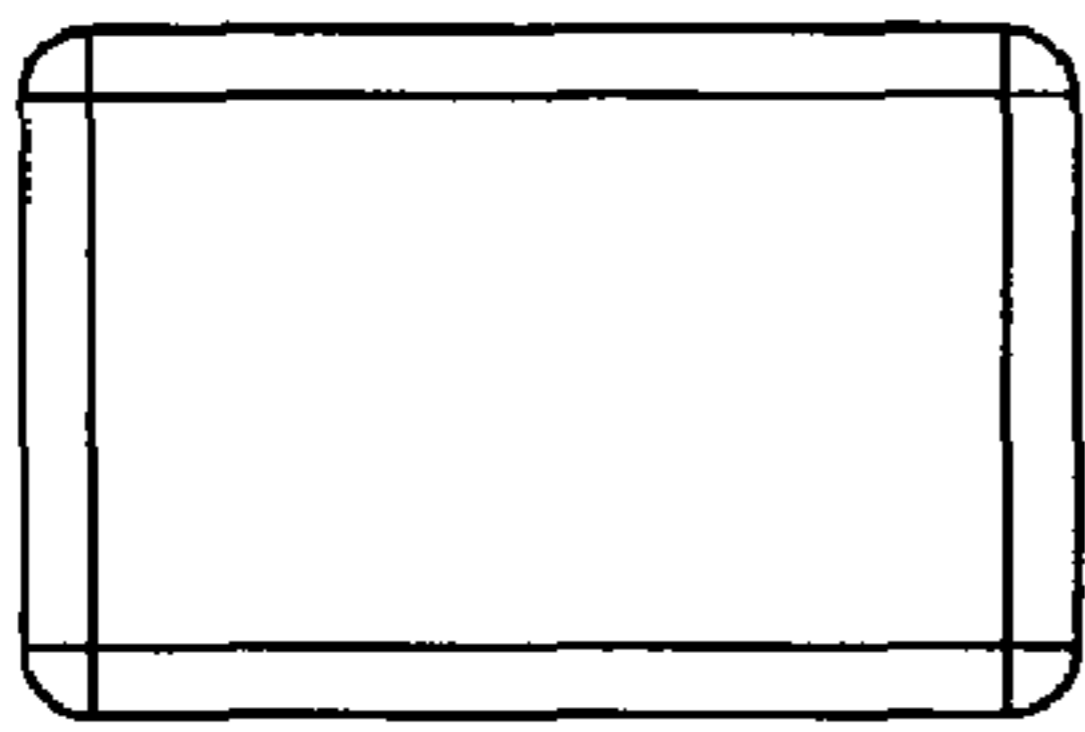


FIG. 4

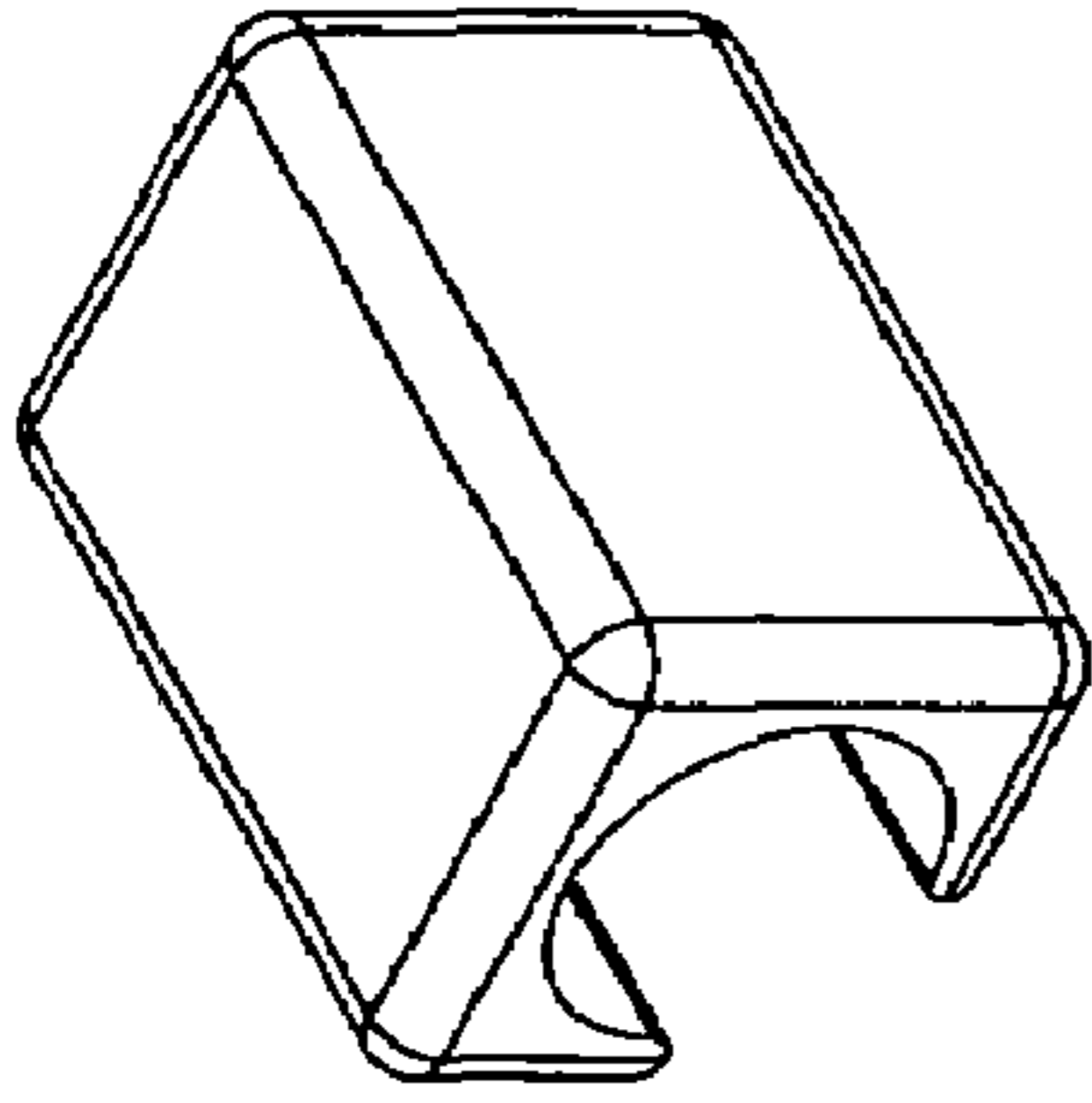


FIG. 2

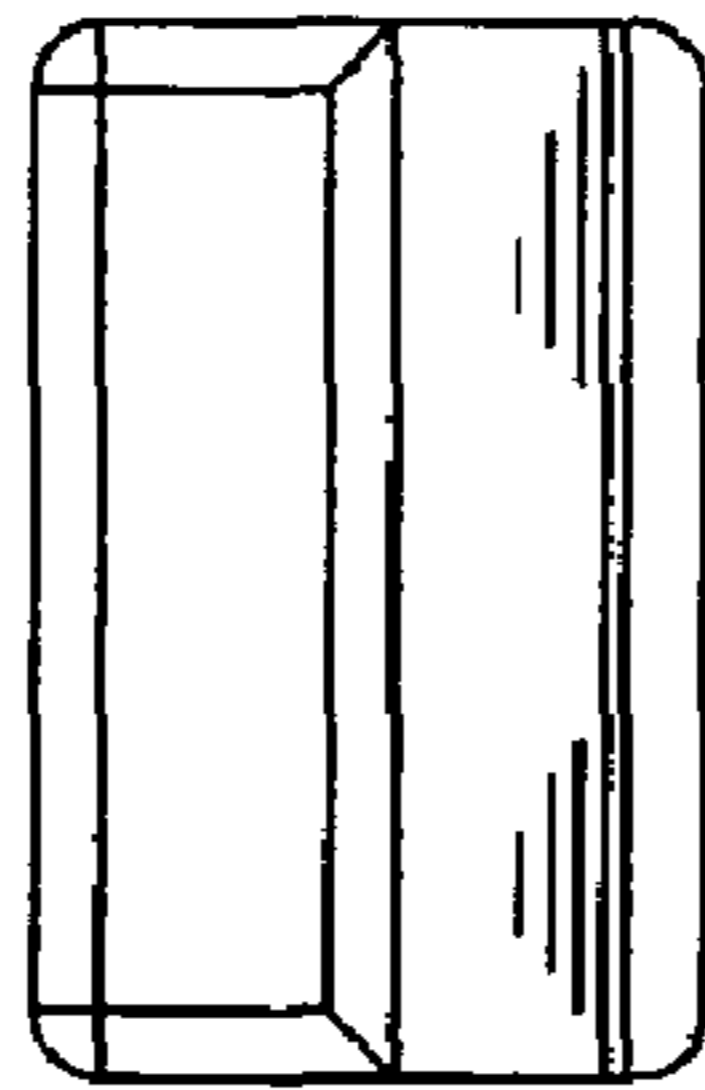


FIG. 6

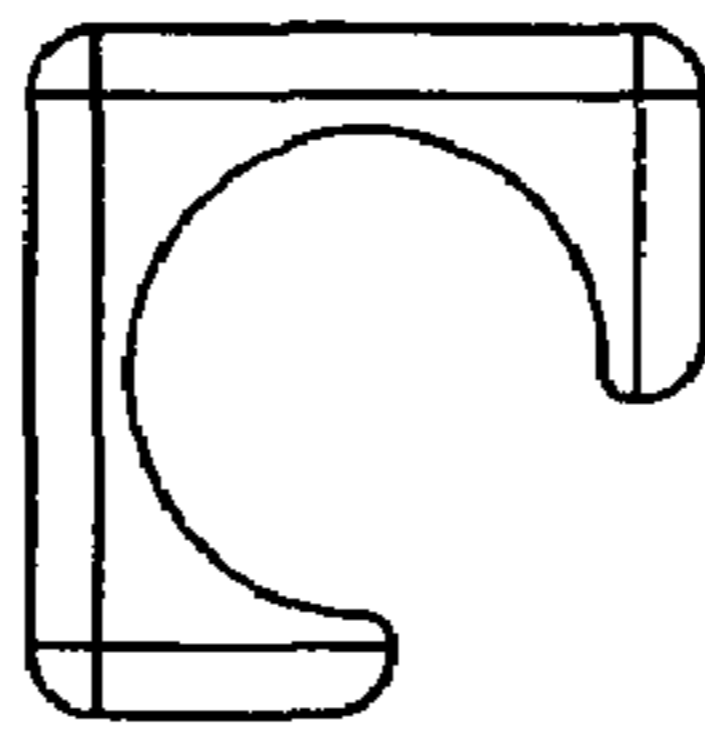


FIG. 3

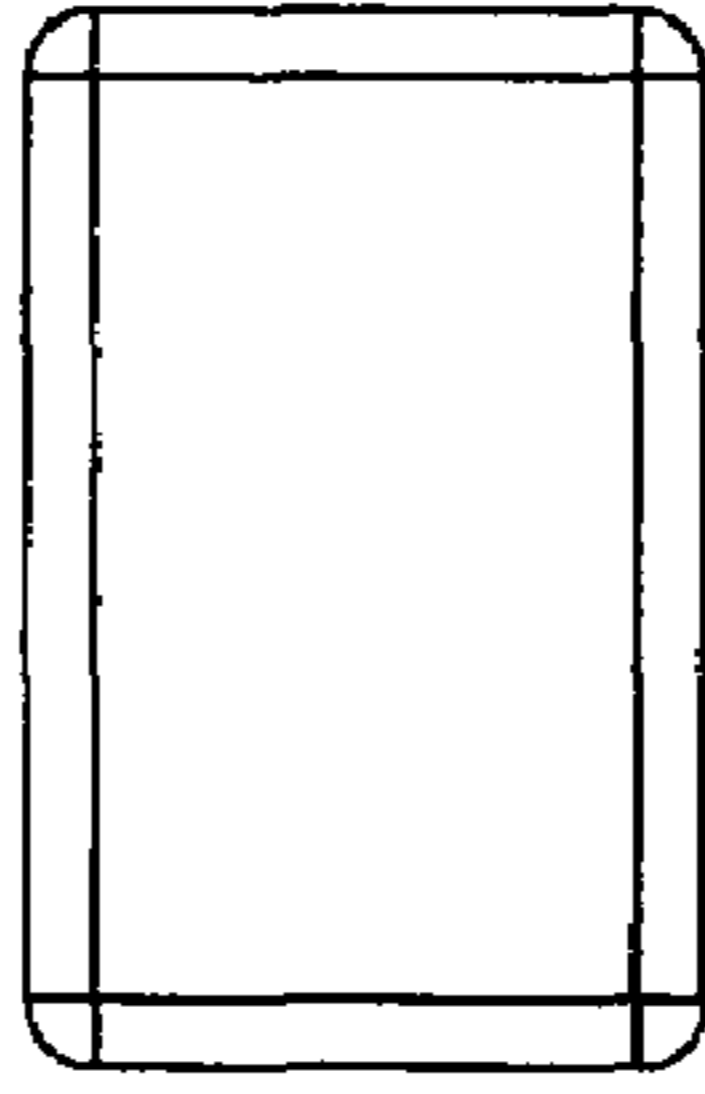


FIG. 7

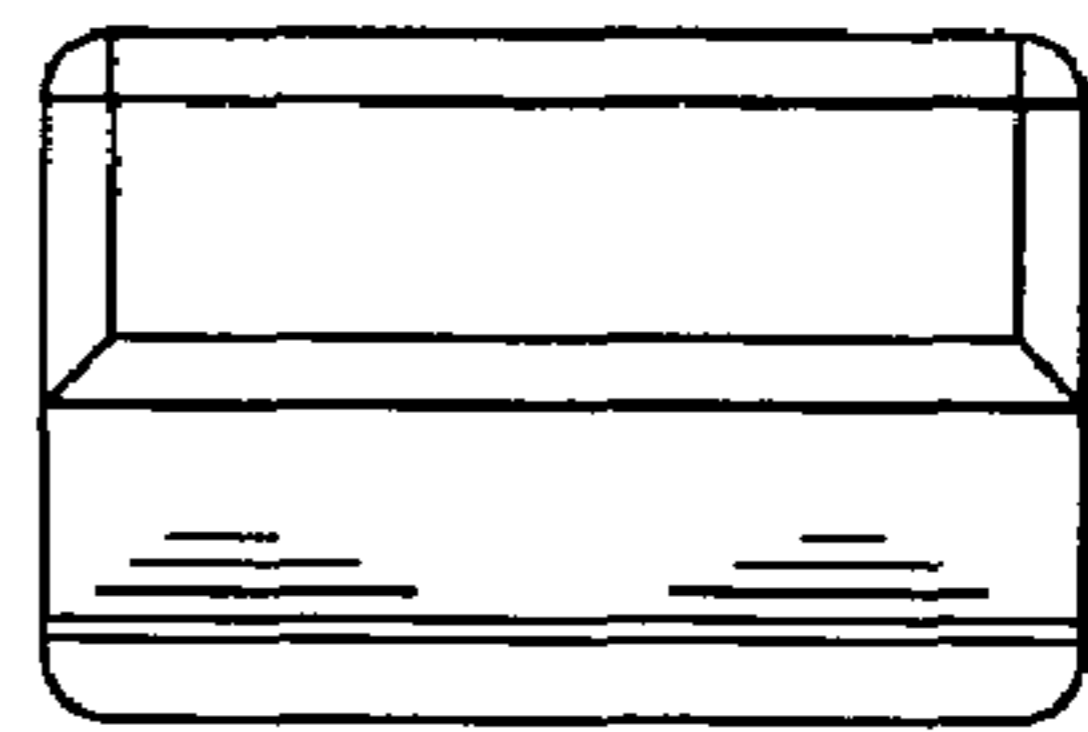


FIG. 5