



US00D592301S

(12) **United States Design Patent**
Cork et al.

(10) **Patent No.:** **US D592,301 S**
(45) **Date of Patent:** **** May 12, 2009**

(54) **HUMIDIFIER TUB**

(75) Inventors: **Simon Robert Cork**, Wollstonecraft (AU); **John Zekic**, Quakers Hill (AU); **Benjamin John Hunter**, Castle Hill (AU); **John Michael Snow**, Busselton (AU)

(73) Assignee: **ResMed Limited**, Bella Vista (AU)

(**) Term: **14 Years**

(21) Appl. No.: **29/300,623**

(22) Filed: **Apr. 18, 2008**

(51) **LOC (9) Cl.** **29-02**

(52) **U.S. Cl.** **D24/110**

(58) **Field of Classification Search** D24/110,
D24/164; D23/356, 358; 128/200.24, 200.23,
128/200.18, 200.22, 200.16, 200.14, 203.16,
128/203.17, 204.18, 204.23

See application file for complete search history.

(56) **References Cited**

U.S. PATENT DOCUMENTS

D561,891 S 2/2008 Lithgow
D578,204 S * 10/2008 Lithgow et al. D24/110

* cited by examiner

Primary Examiner—Ian Simmons
Assistant Examiner—Christopher Lee

(74) *Attorney, Agent, or Firm*—Nixon & Vanderhye P.C.

(57) **CLAIM**

The ornamental design for a humidifier tub, as shown and described.

DESCRIPTION

FIG. 1 is a perspective view of a humidifier tub according to a first embodiment of our design;

FIG. 2 is a front view thereof;

FIG. 3 is a rear view thereof;

FIG. 4 is a top view thereof;

FIG. 5 is a bottom view thereof;

FIG. 6 is a left side view thereof;

FIG. 7 is a right side view thereof;

FIG. 8 is a perspective view of a humidifier tub according to a second embodiment of our design;

FIG. 9 is a front view thereof;

FIG. 10 is a rear view thereof;

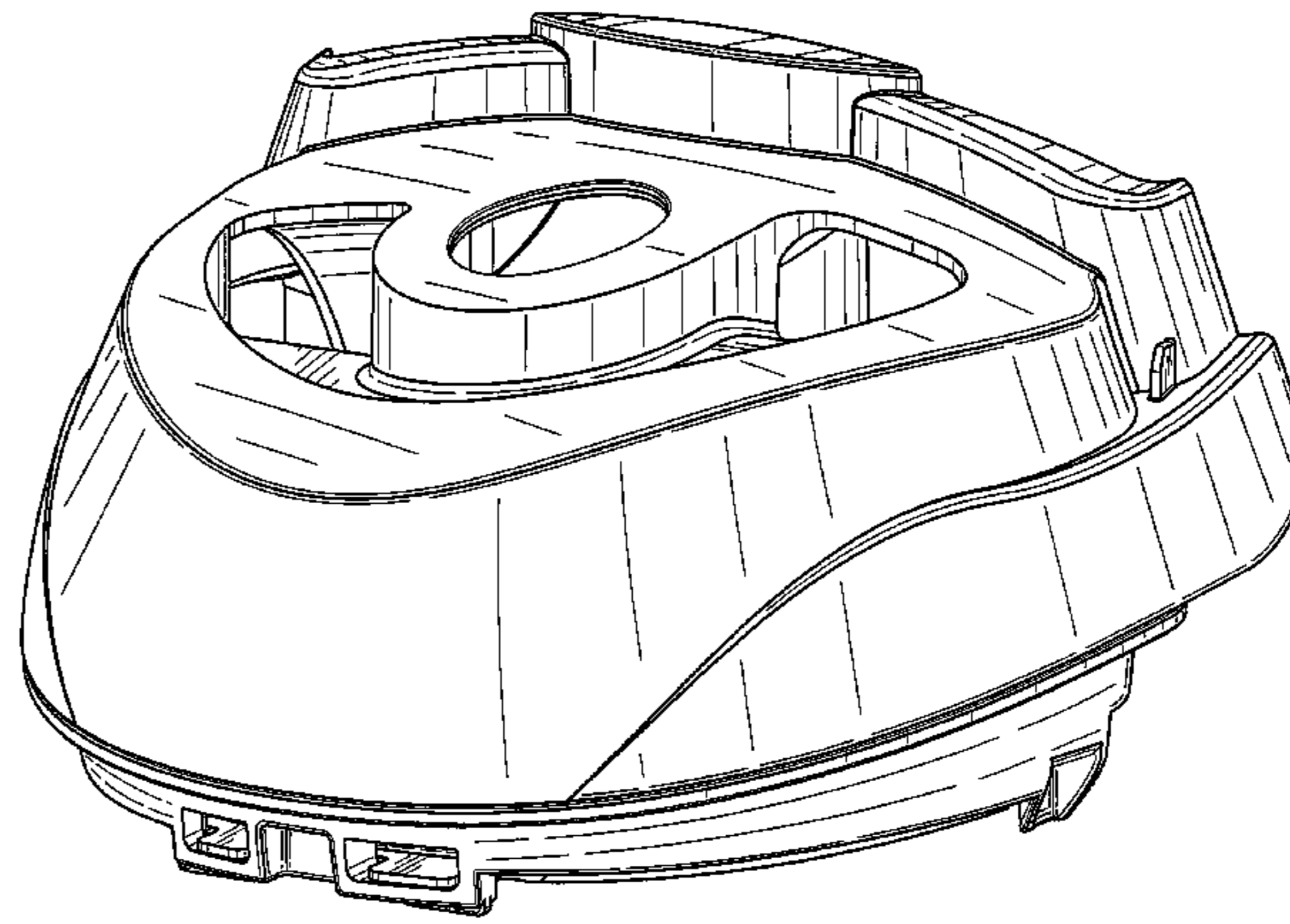
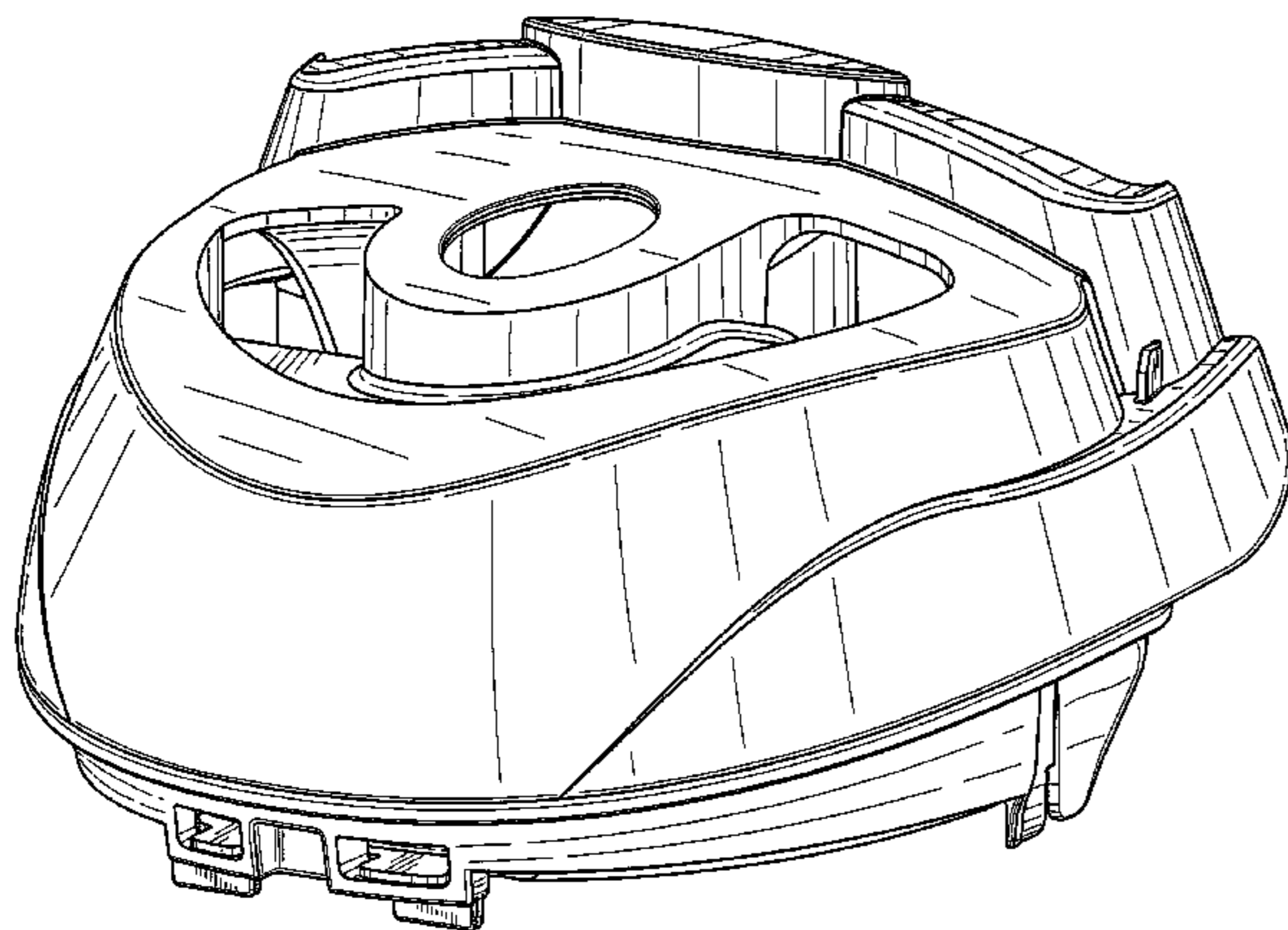
FIG. 11 is a top view thereof;

FIG. 12 is a bottom view thereof;

FIG. 13 is a left side view thereof; and,

FIG. 14 is a right side view thereof.

1 Claim, 14 Drawing Sheets



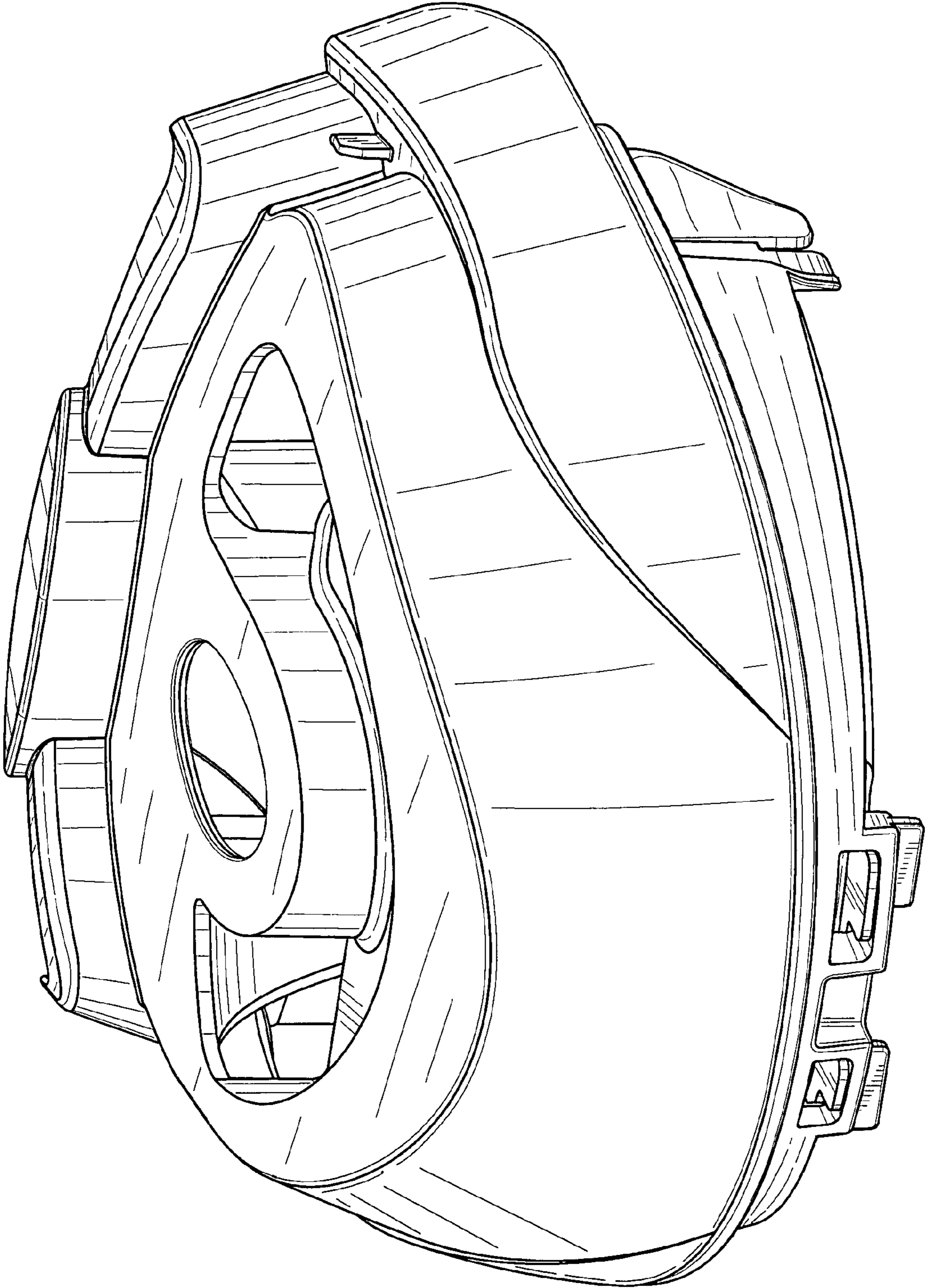


Figure 1

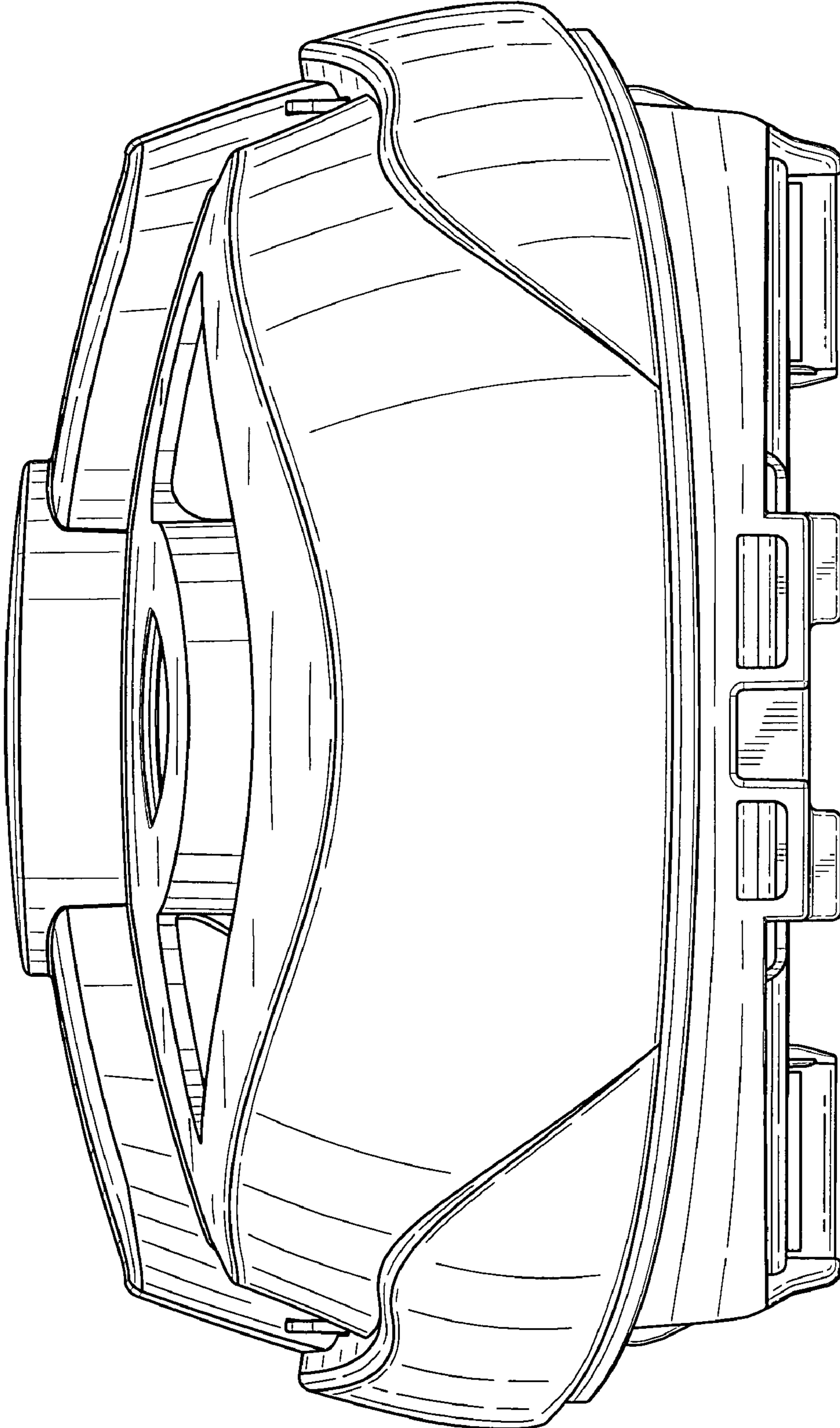


Figure 2

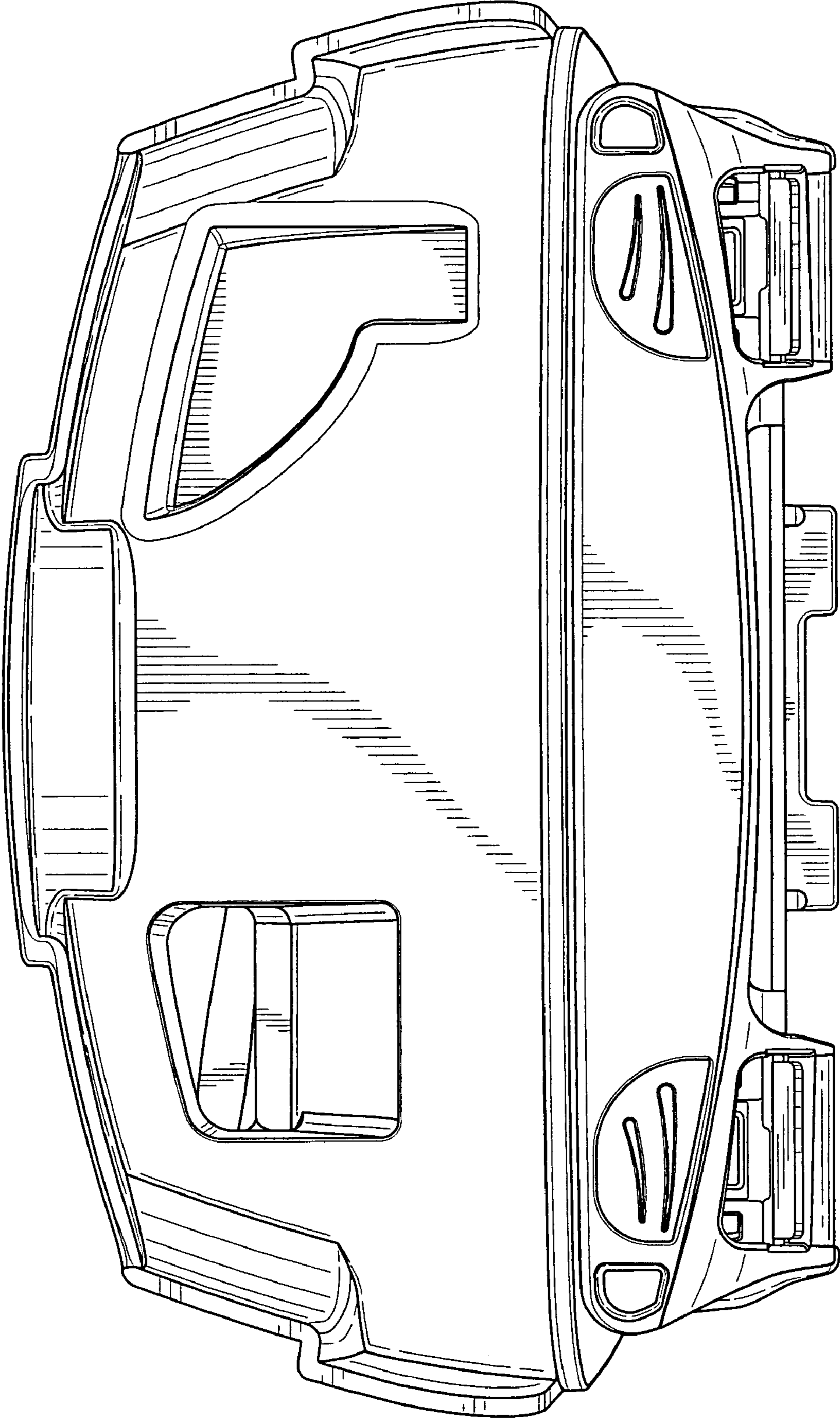


Figure 3

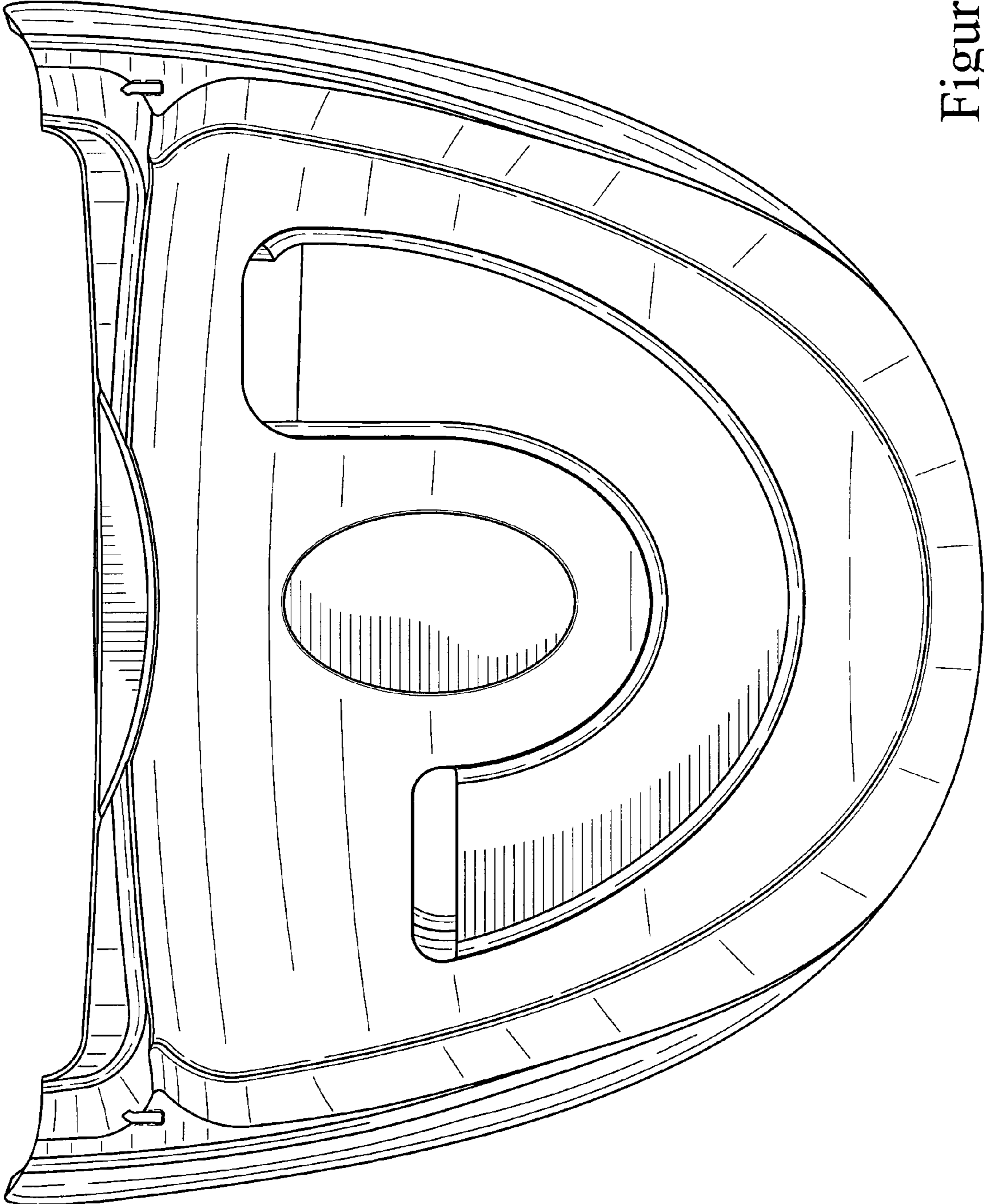


Figure 4

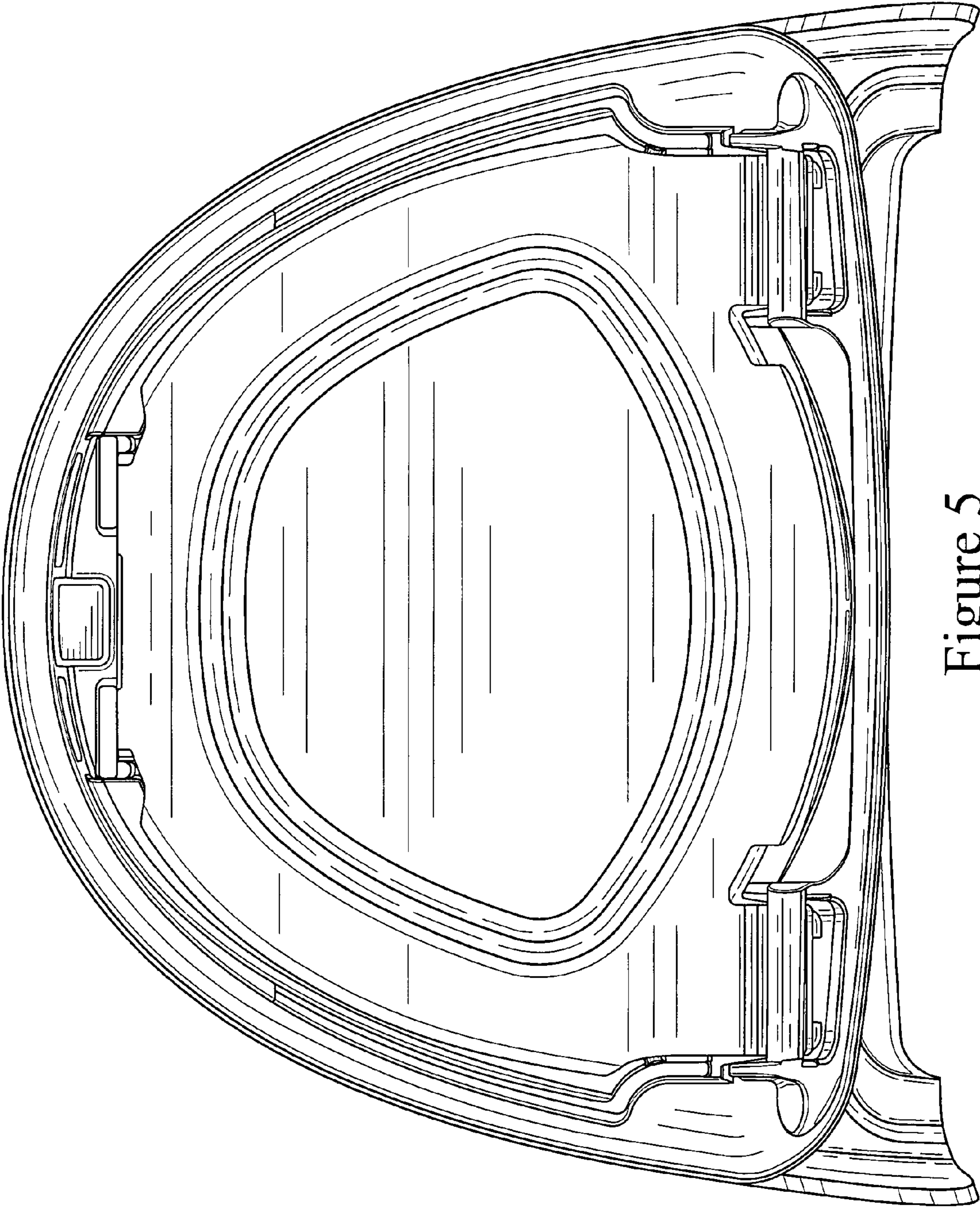


Figure 5

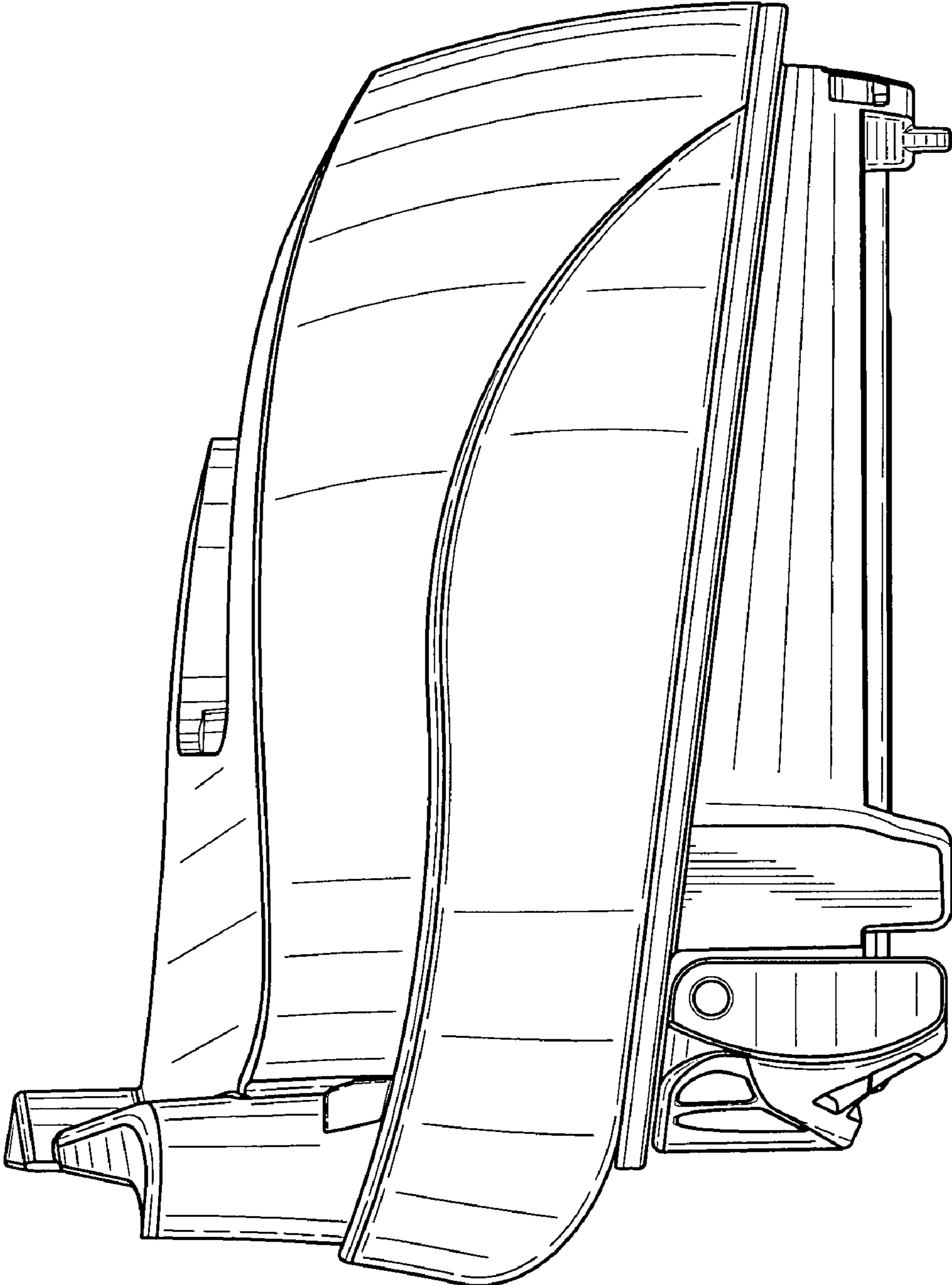


Figure 6

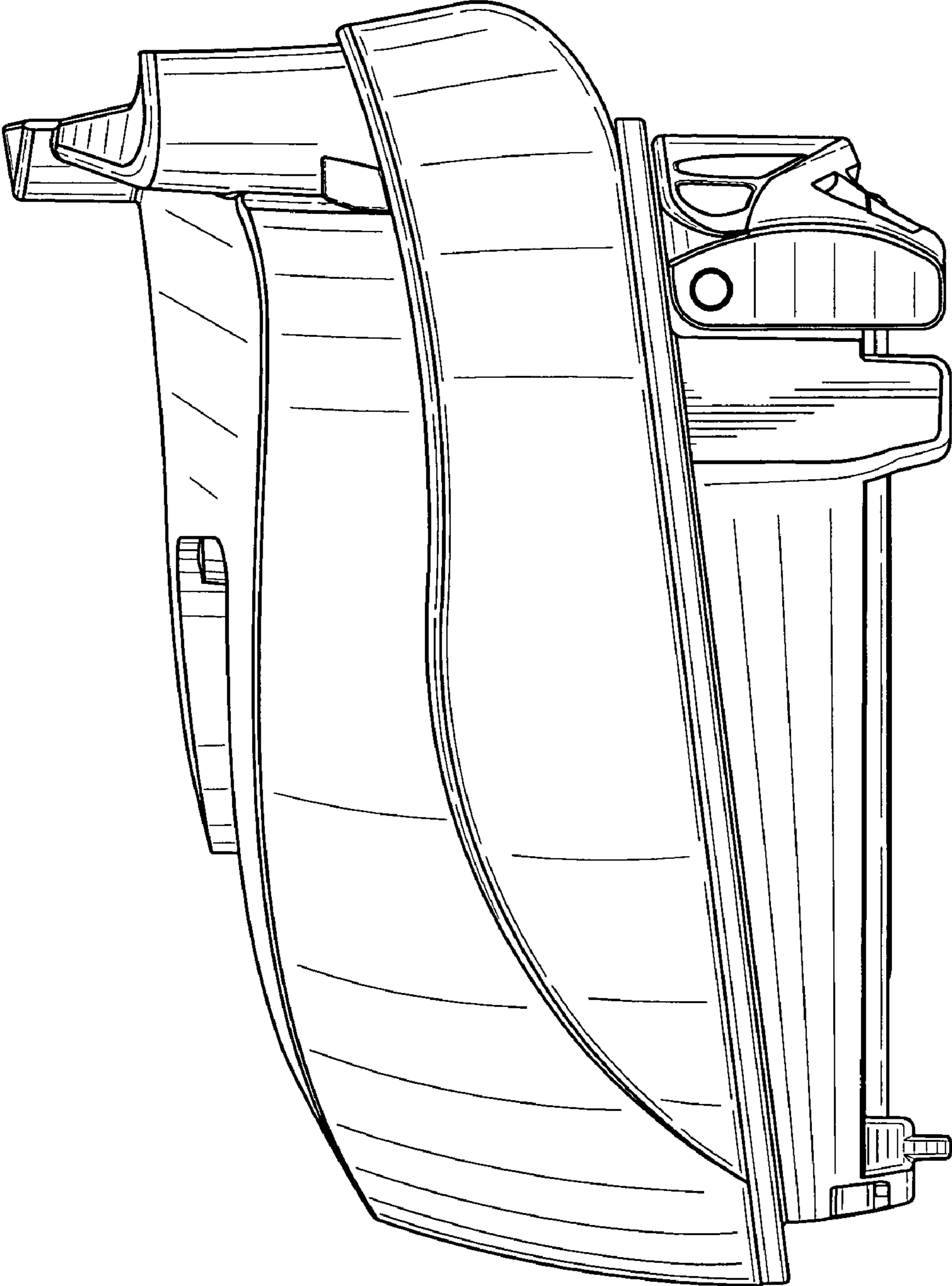


Figure 7

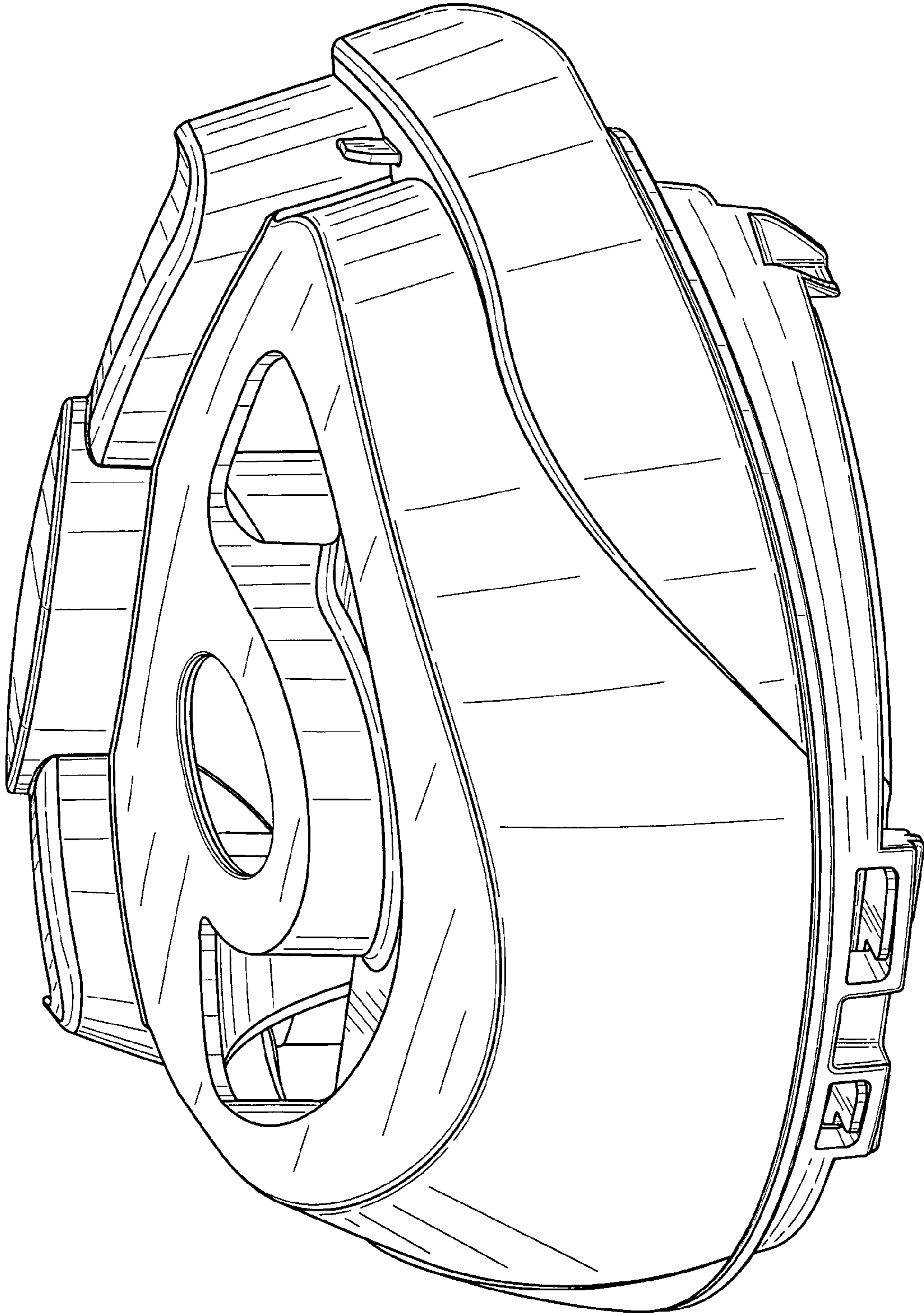


Figure 8

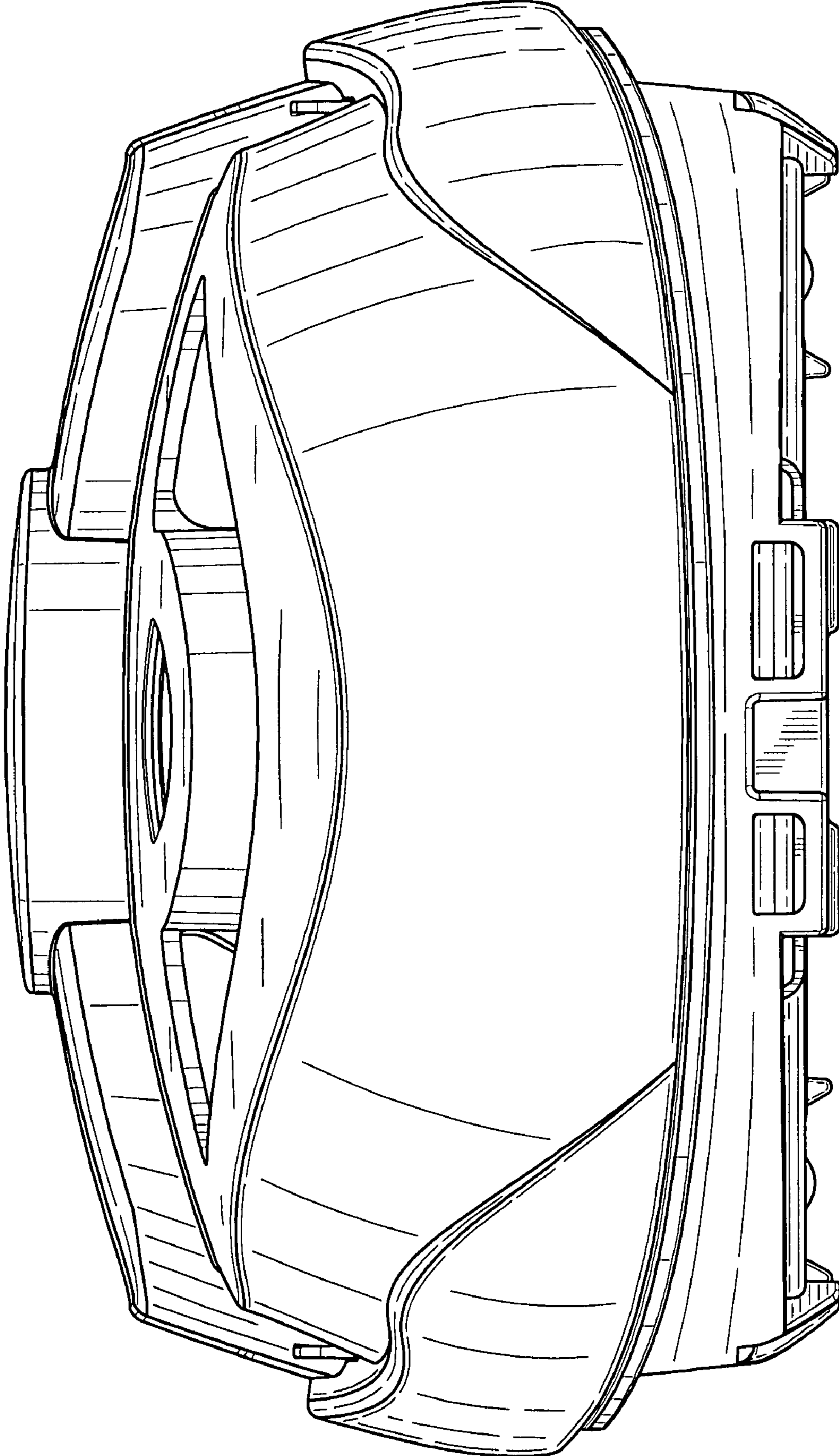


Figure 9

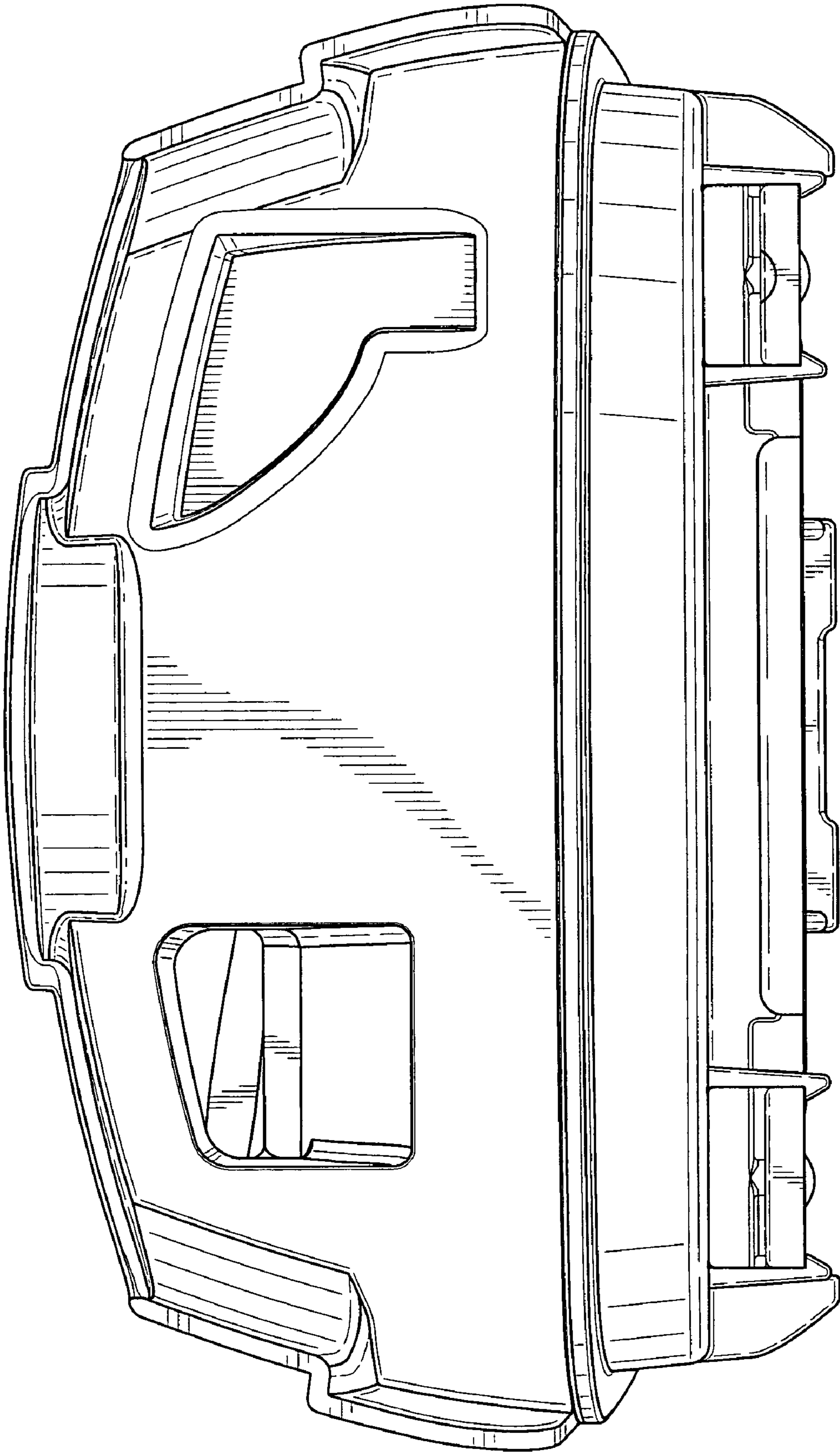


Figure 10

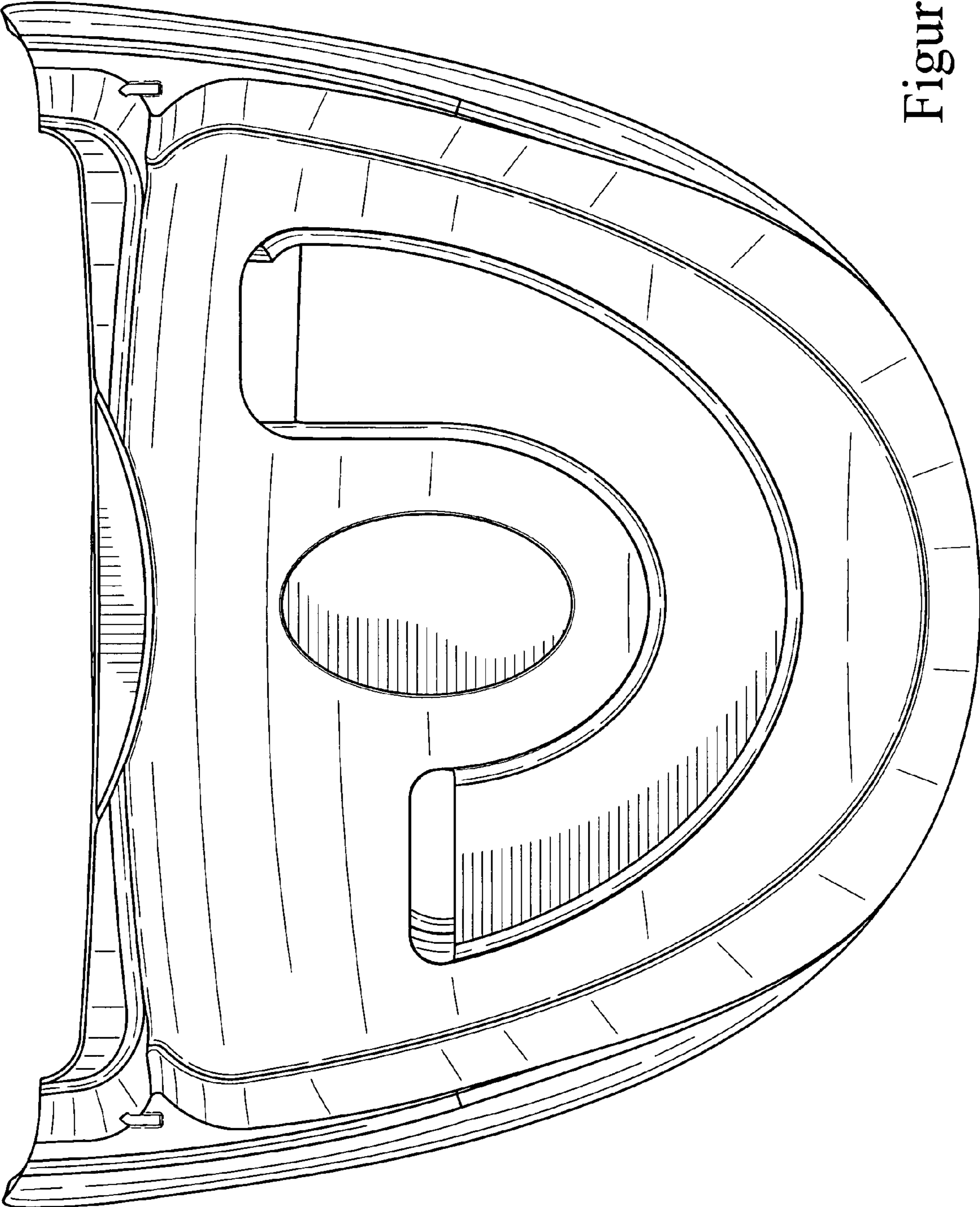


Figure 11

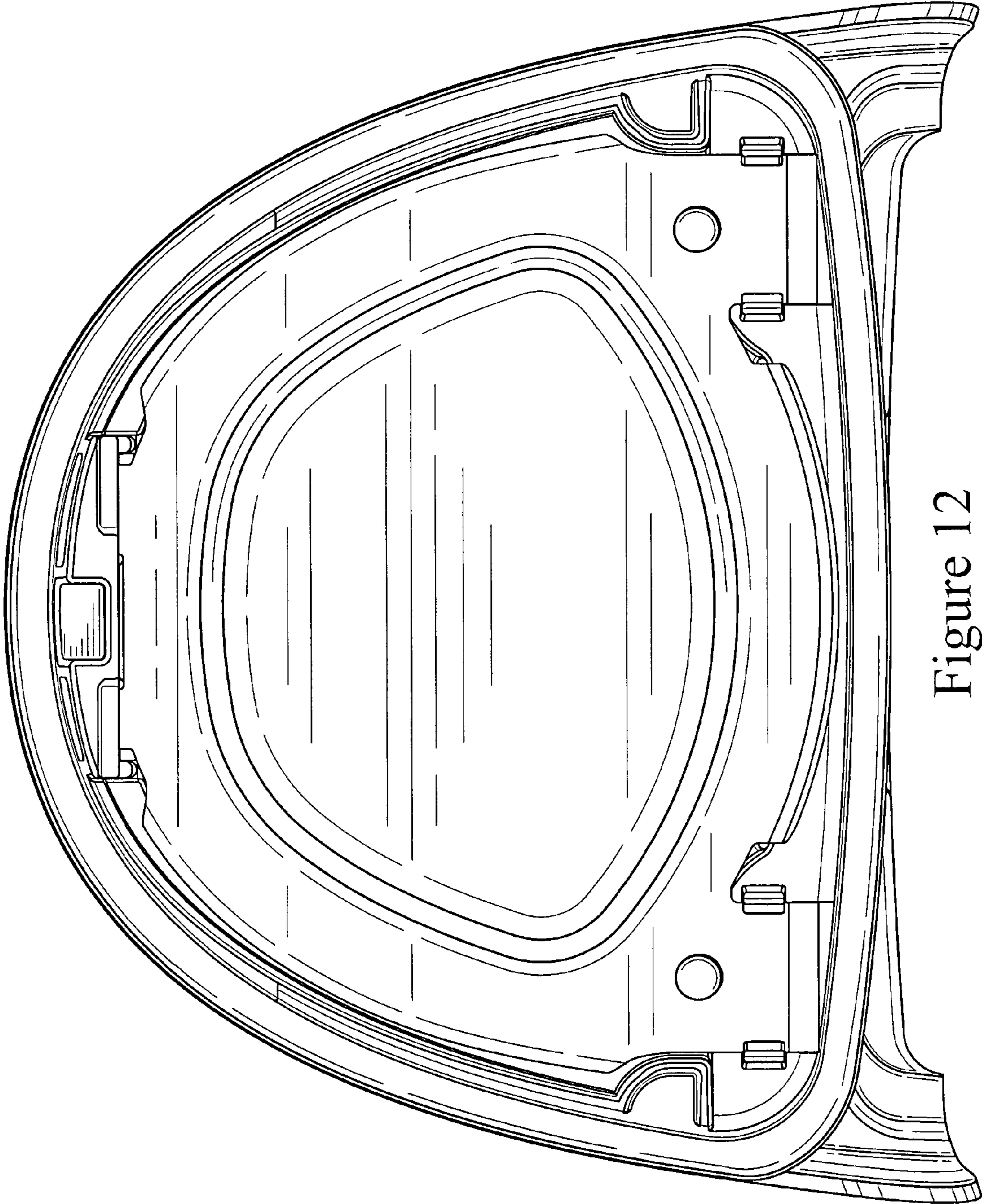


Figure 12

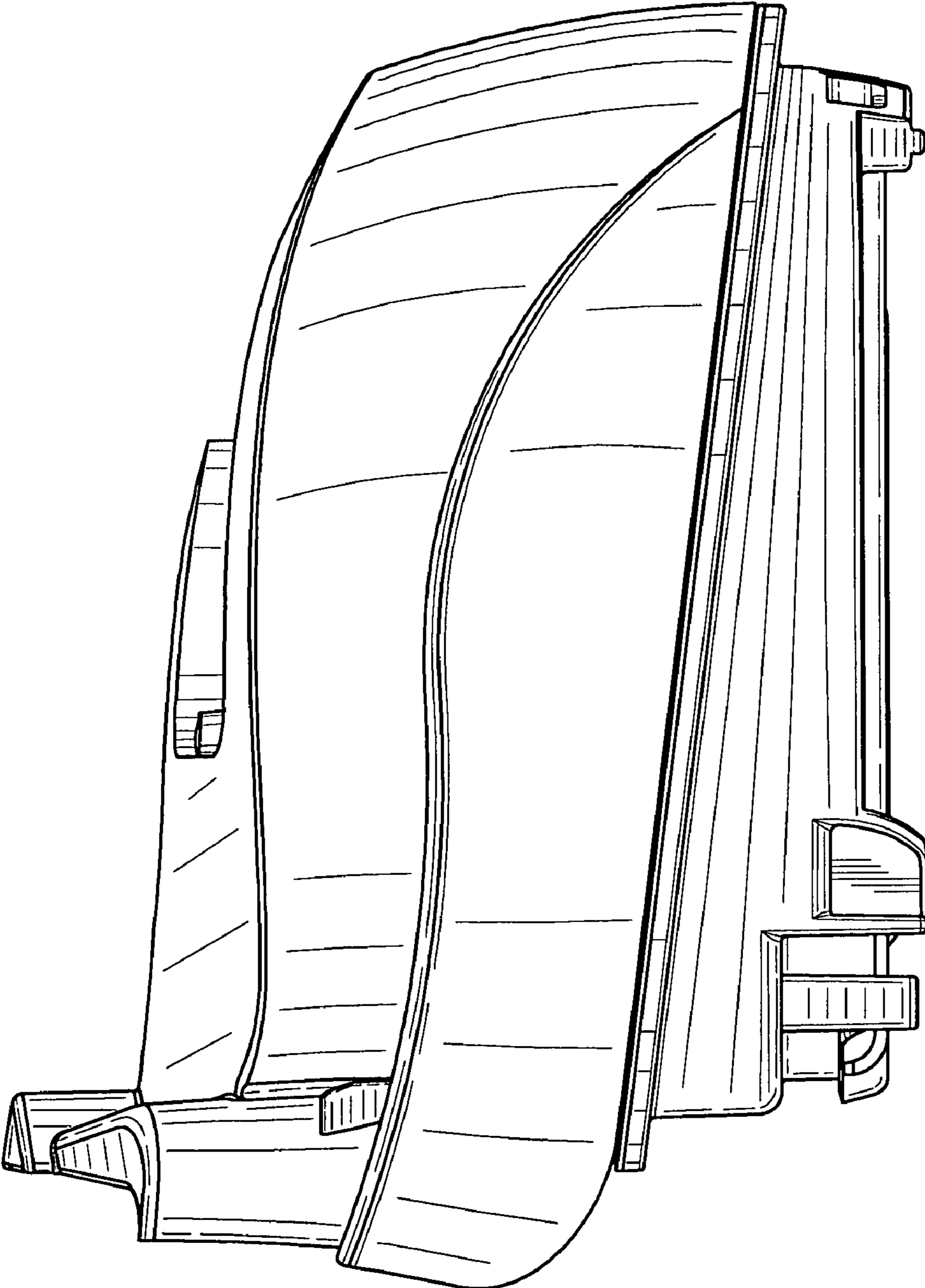


Figure 13

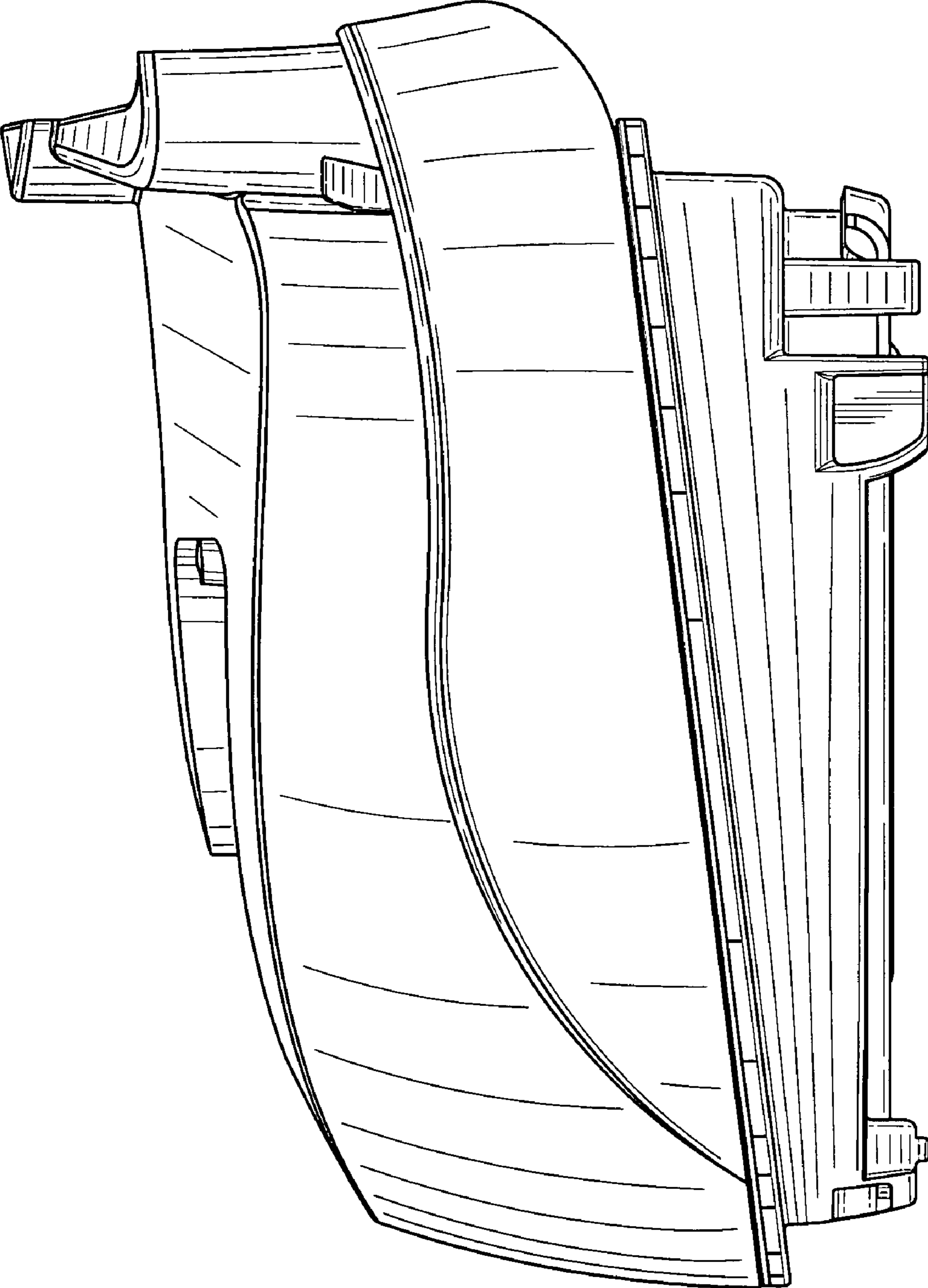


Figure 14