



US00D592299S

(12) **United States Design Patent**
Hidalgo

(10) **Patent No.:** **US D592,299 S**

(45) **Date of Patent:** **** May 12, 2009**

(54) **CEILING FAN BLADE IRON**

(75) Inventor: **Rolando Hidalgo**, Yorba Linda, CA (US)

(73) Assignee: **Minka Lighting, Inc.**, Corona, CA (US)

(**) Term: **14 Years**

(21) Appl. No.: **29/319,985**

(22) Filed: **Jun. 18, 2008**

(51) **LOC (9) Cl.** **23-04**

(52) **U.S. Cl.** **D23/411**

(58) **Field of Classification Search** D23/377,
D23/379, 385, 411, 413; 416/5
See application file for complete search history.

(56) **References Cited**

U.S. PATENT DOCUMENTS

D527,449 S * 8/2006 Hidalgo D23/377
D568,461 S * 5/2008 Hidalgo D23/411

OTHER PUBLICATIONS

Monte Carlo Internet Catalog; Grand Isle; Model # 5GIR54RBD; printed from hansenwholesale.com on May 10, 2008.
Ellington Internet Catalog; Riviera; Model # RIV52ABZ5LKRCRD; printed from hansenwholesale.com on May 10, 2008.
Ellington Internet Catalog; Wrought Iron; Model # WRI52ABZ5LKRCRD; printed from hansenwholesale.com on May 10, 2008.

* cited by examiner

Primary Examiner—Lisa P Lichtenstein

(74) *Attorney, Agent, or Firm*—Baker & McKenzie LLP

(57) **CLAIM**

The ornamental design for a ceiling fan blade iron, as shown and described.

DESCRIPTION

FIG. 1 is a bottom perspective view of a ceiling fan blade iron showing an embodiment in accordance with my design;

FIG. 2 is an enlarged bottom perspective view of the ceiling fan blade iron in accordance with my design;

FIG. 3 is an enlarged bottom plan view of the ceiling fan blade iron in accordance with my design;

FIG. 4 is an enlarged top plan view of the ceiling fan blade iron in accordance with my design;

FIG. 5 is an enlarged side elevation view of the ceiling fan blade iron in accordance with my design;

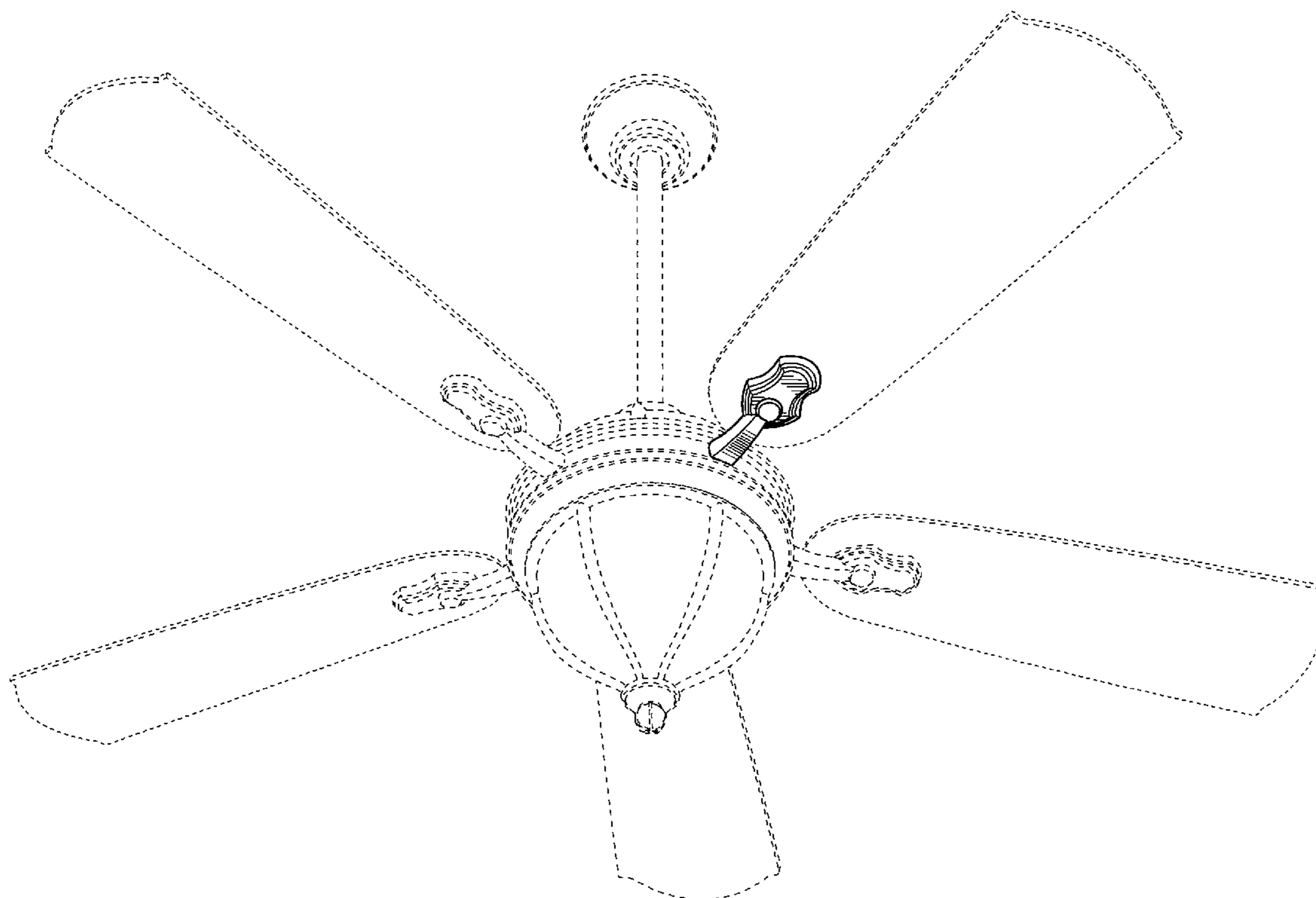
FIG. 6 is an enlarged opposite side elevation view of the ceiling fan blade iron in accordance with my design;

FIG. 7 is an enlarged front elevation view of the ceiling fan blade iron in accordance with my design; and,

FIG. 8 is an enlarged back elevation view of the ceiling fan blade iron in accordance with my design.

The broken lines showing the environmental structure are for illustrative purposes and form no part of the claimed design.

1 Claim, 3 Drawing Sheets



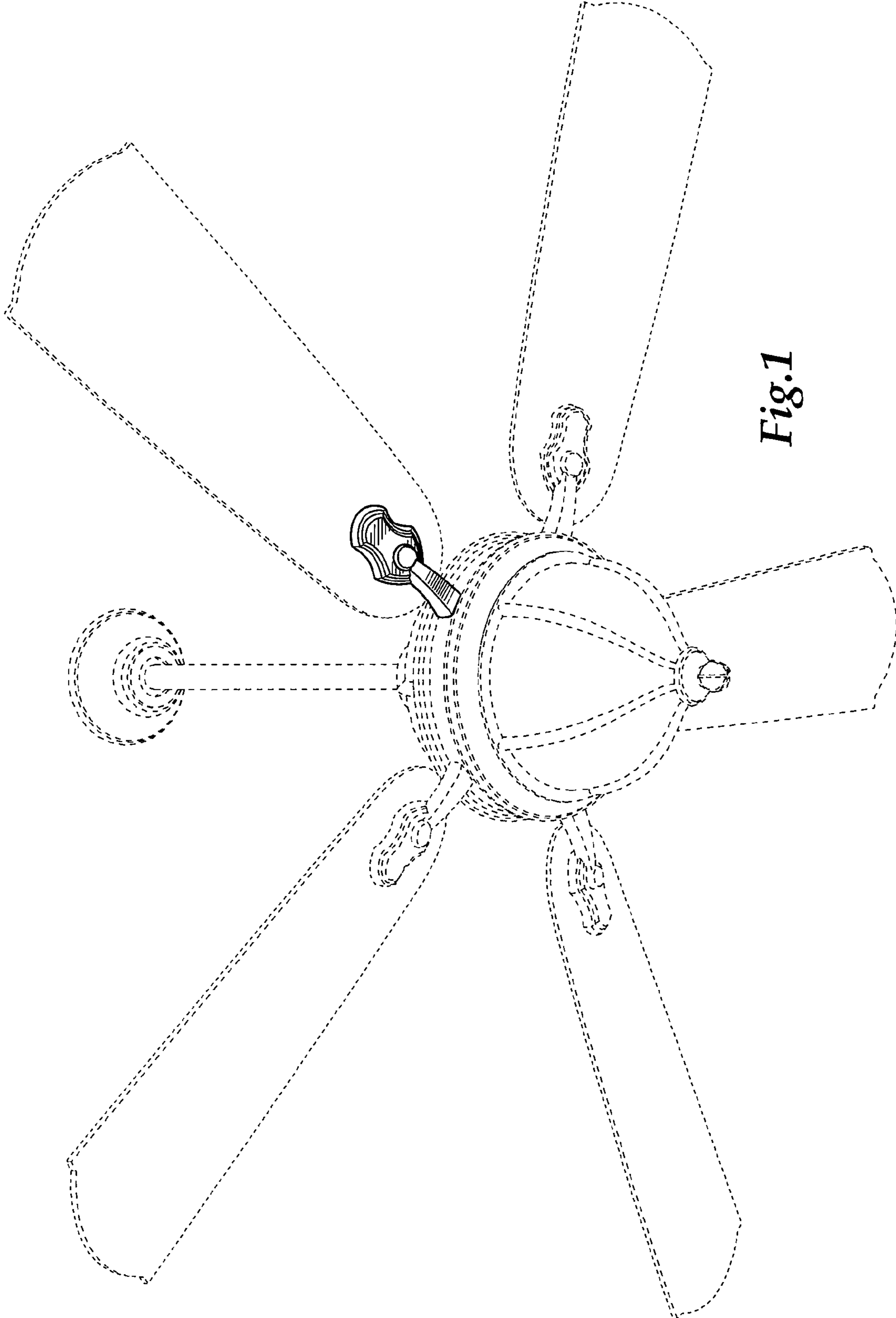


Fig. 1

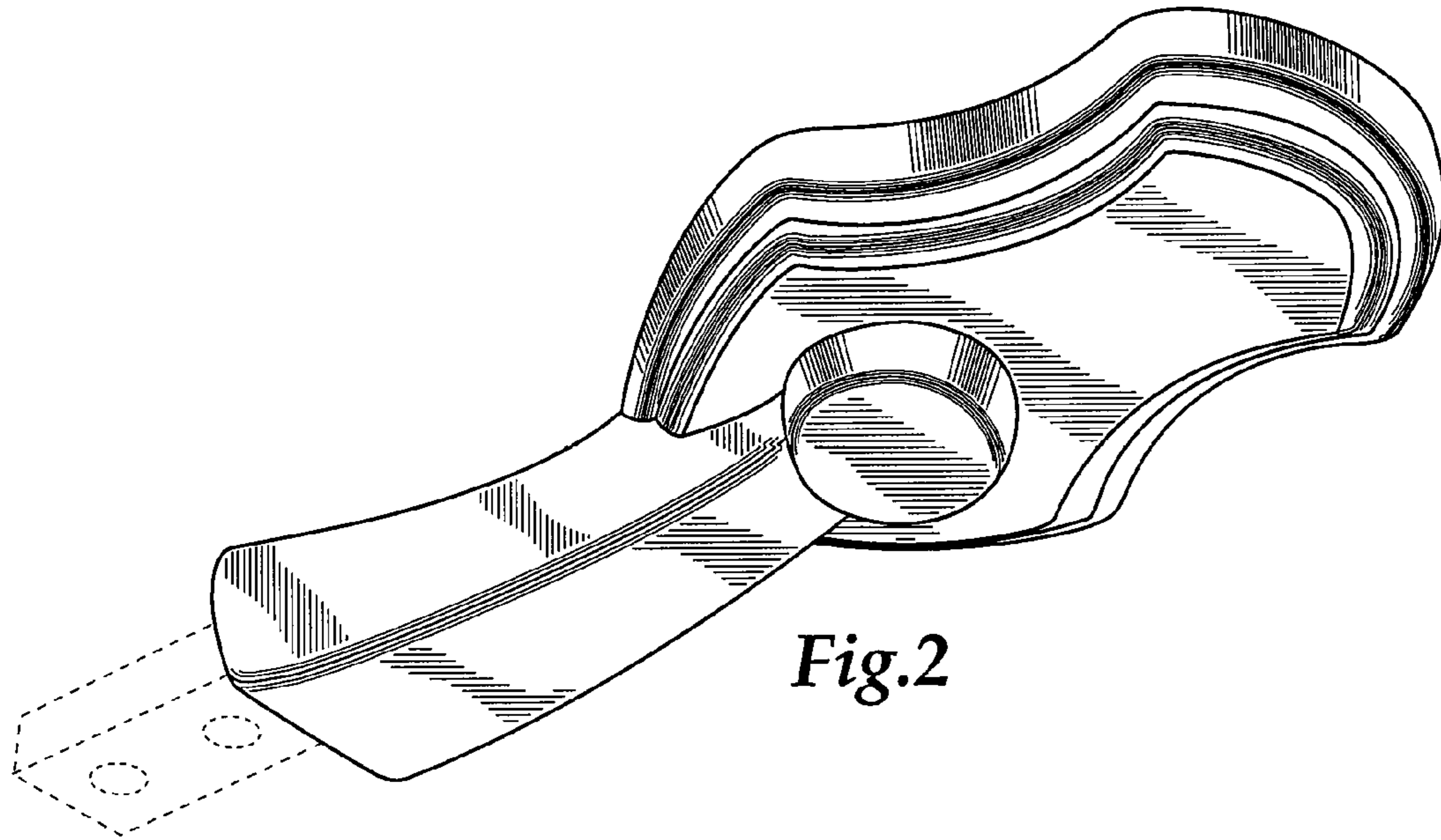


Fig.2

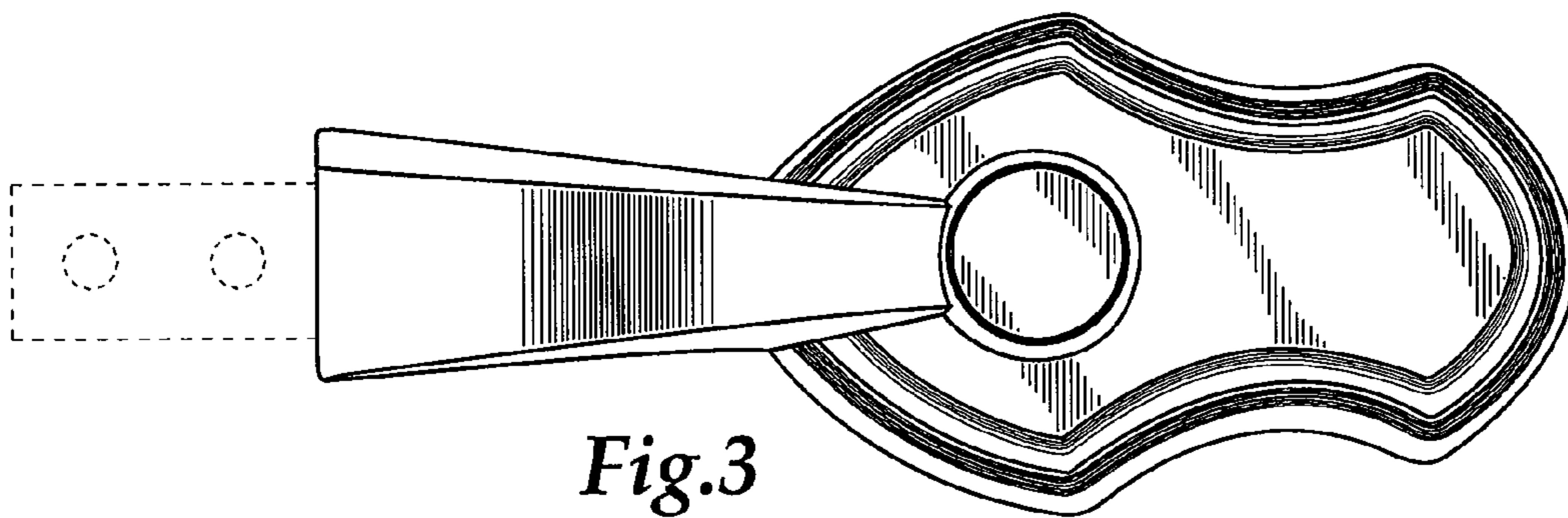


Fig.3

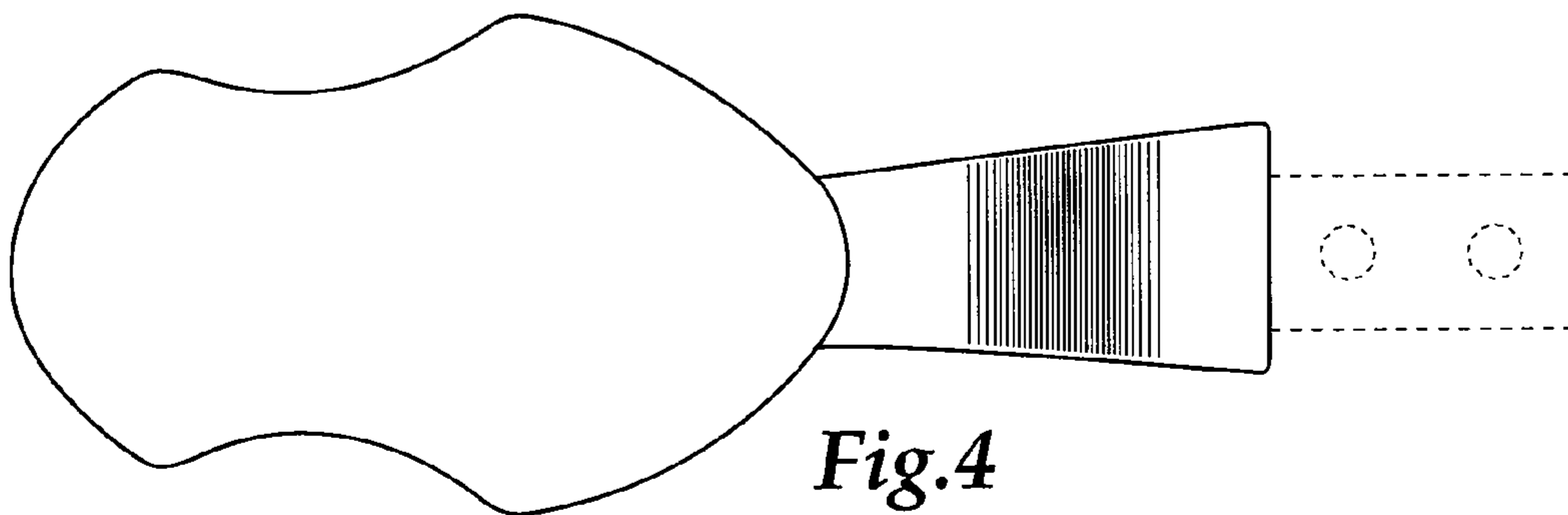


Fig.4

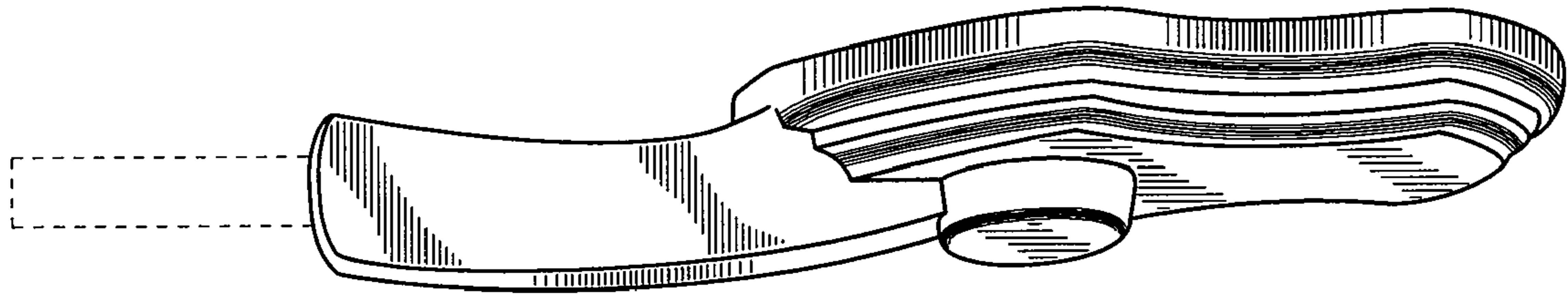


Fig.5

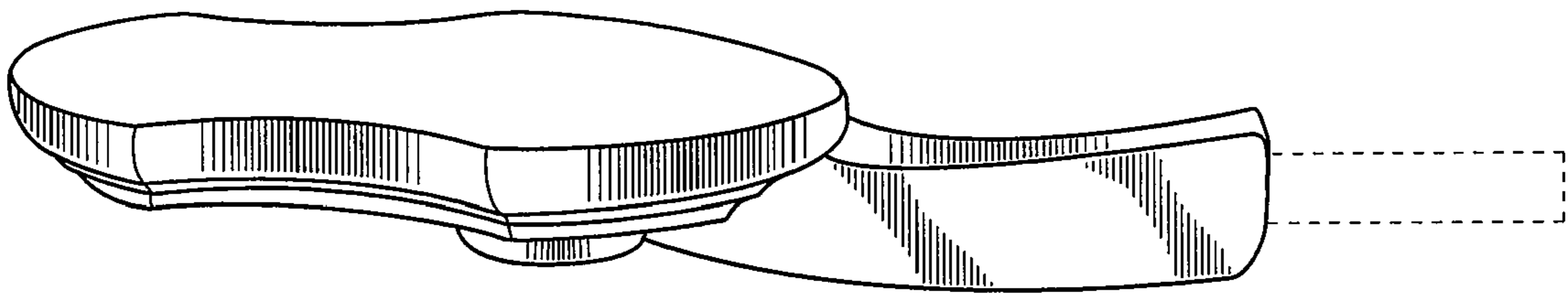


Fig.6

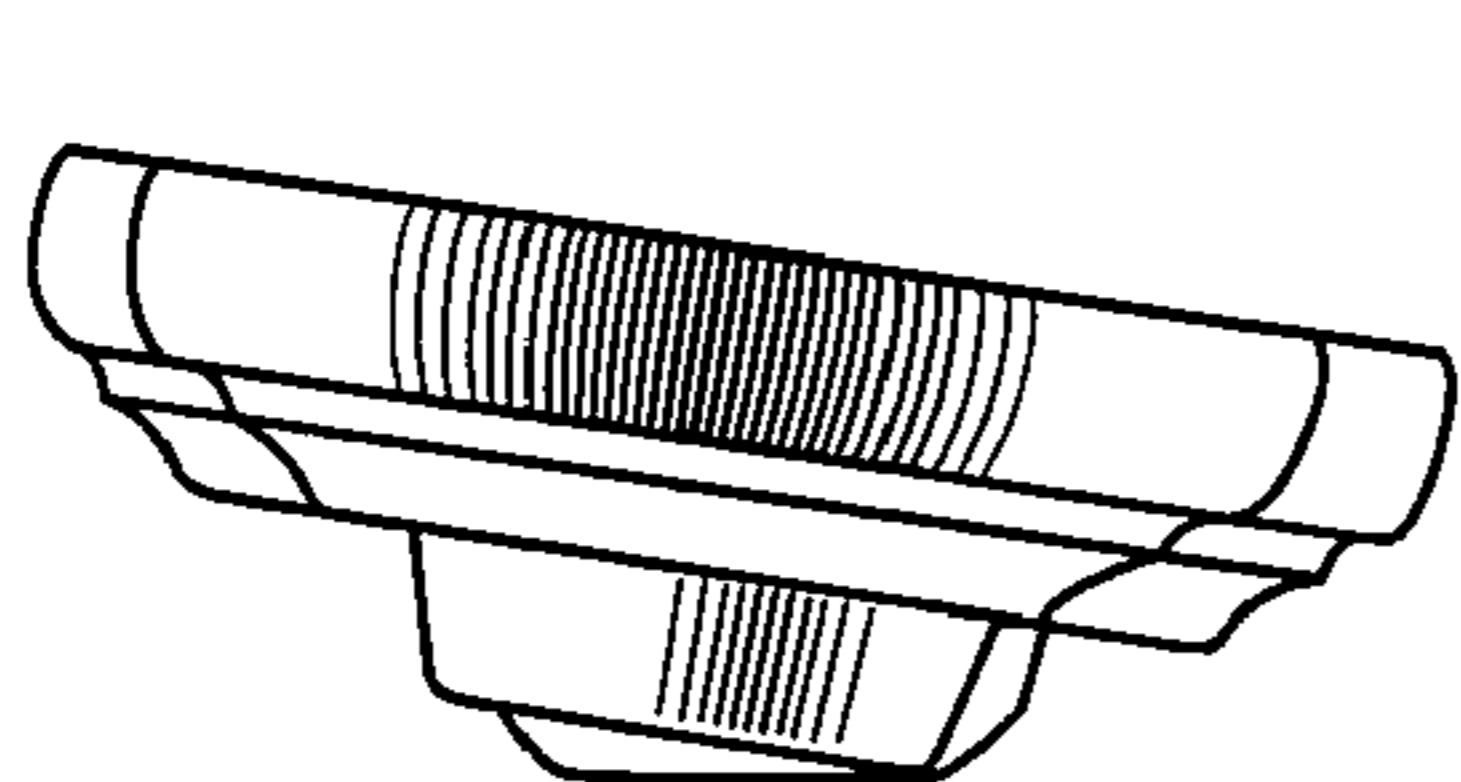


Fig.7

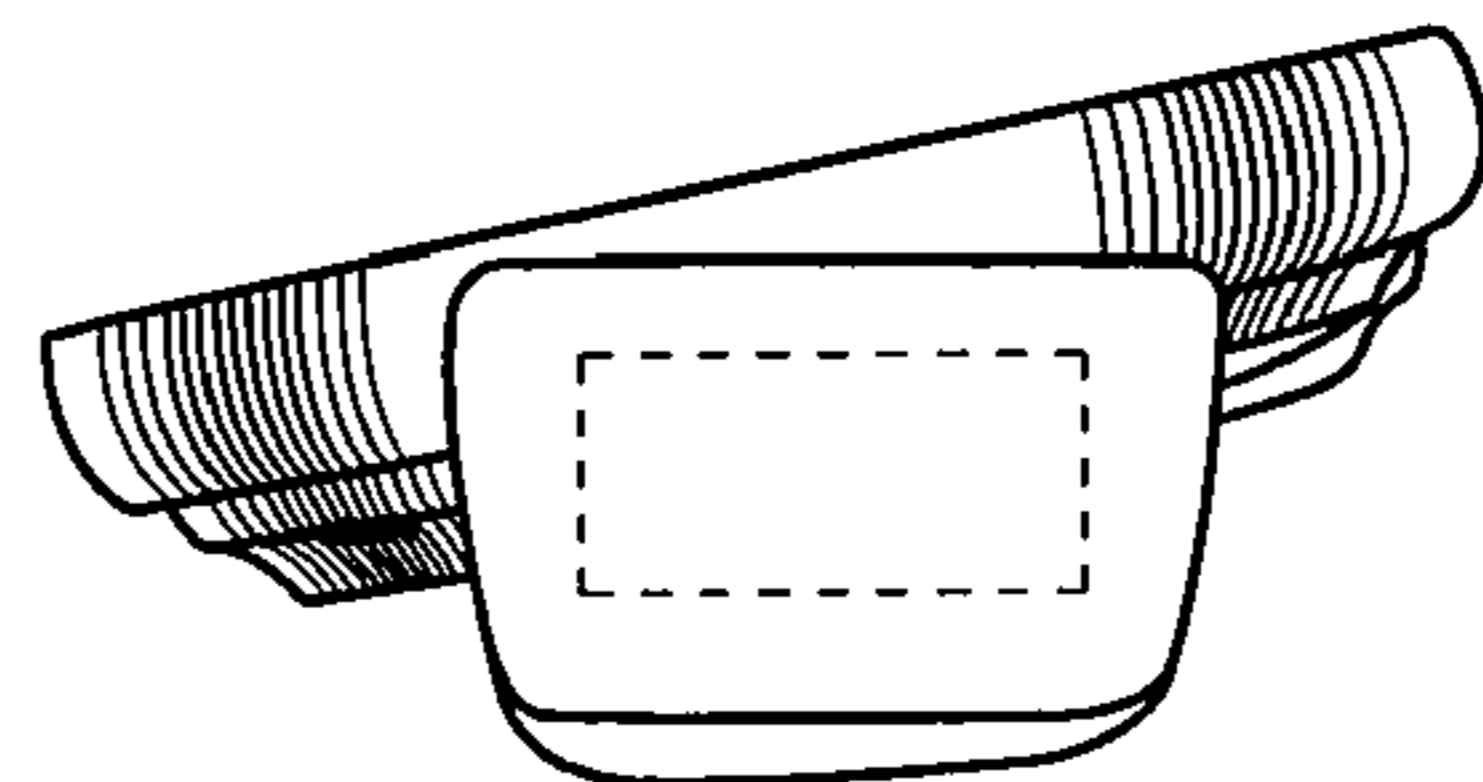


Fig.8