



US00D592297S

(12) **United States Design Patent**
Hayashi

(10) **Patent No.:** **US D592,297 S**

(45) **Date of Patent:** **** May 12, 2009**

(54) **OVAL AIR CLEANER FILTER TOP**

(76) **Inventor:** **Bruce Hayashi**, 13906 E. Walnut St.,
Whittier, CA (US) 90602

(**) **Term:** **14 Years**

(21) **Appl. No.:** **29/324,094**

(22) **Filed:** **Sep. 5, 2008**

(51) **LOC (9) Cl.** **23-04**

(52) **U.S. Cl.** **D23/365**

(58) **Field of Classification Search** D23/365,
D23/363, 358, 386, 354, 341, 364, 370, 393;
55/385.3, 502, 497, 506, 505, 521, 495, 422,
55/493, 522, DIG. 30, DIG. 31, DIG. 37;
210/497.1; D15/5; D14/214

See application file for complete search history.

(56) **References Cited**

U.S. PATENT DOCUMENTS

D337,816 S *	7/1993	Hogan	D23/354
D338,713 S *	8/1993	Cox et al.	D23/328
D397,200 S *	8/1998	Wang et al.	D23/370
D401,597 S *	11/1998	Shelton et al.	D15/5
D401,942 S *	12/1998	Shelton et al.	D15/5
D444,872 S *	7/2001	Webb	D23/393
D519,627 S *	4/2006	Cooper	D23/393
D520,133 S *	5/2006	Cooper	D23/393

D520,620 S *	5/2006	Wang	D23/365
D530,807 S *	10/2006	Miyagishima et al.	D23/365
D535,373 S *	1/2007	Chung	D23/365
D565,165 S *	3/2008	Calkins	D23/370
D565,548 S *	4/2008	Yoshinaga et al.	D14/214

* cited by examiner

Primary Examiner—T. Chase Nelson

Assistant Examiner—David G Muller

(74) *Attorney, Agent, or Firm*—Kenneth L. Green; Edgar W. Averill, Jr.

(57) **CLAIM**

The ornamental design for an oval air cleaner filter top, as shown and described.

DESCRIPTION

FIG. 1 is a perspective view showing the front, left side and top of the oval air cleaner filter top showing my new design.

FIG. 2 is a top view thereof;

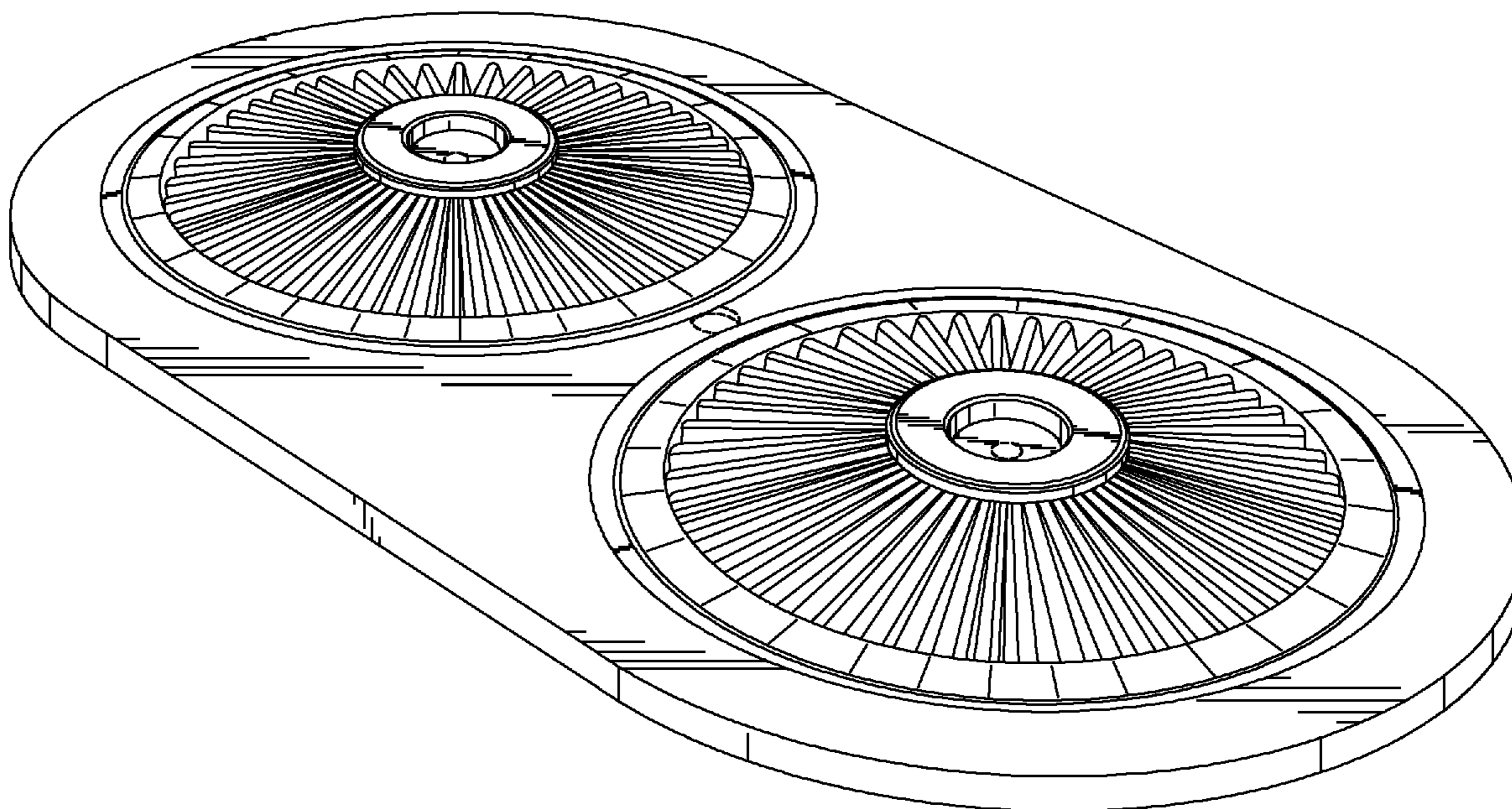
FIG. 3 is a side view thereof;

FIG. 4 is an end view thereof; and,

FIG. 5 is a bottom view thereof.

The broken lines depict portions of the oval air cleaner filter top that form no part of the claimed design.

1 Claim, 3 Drawing Sheets



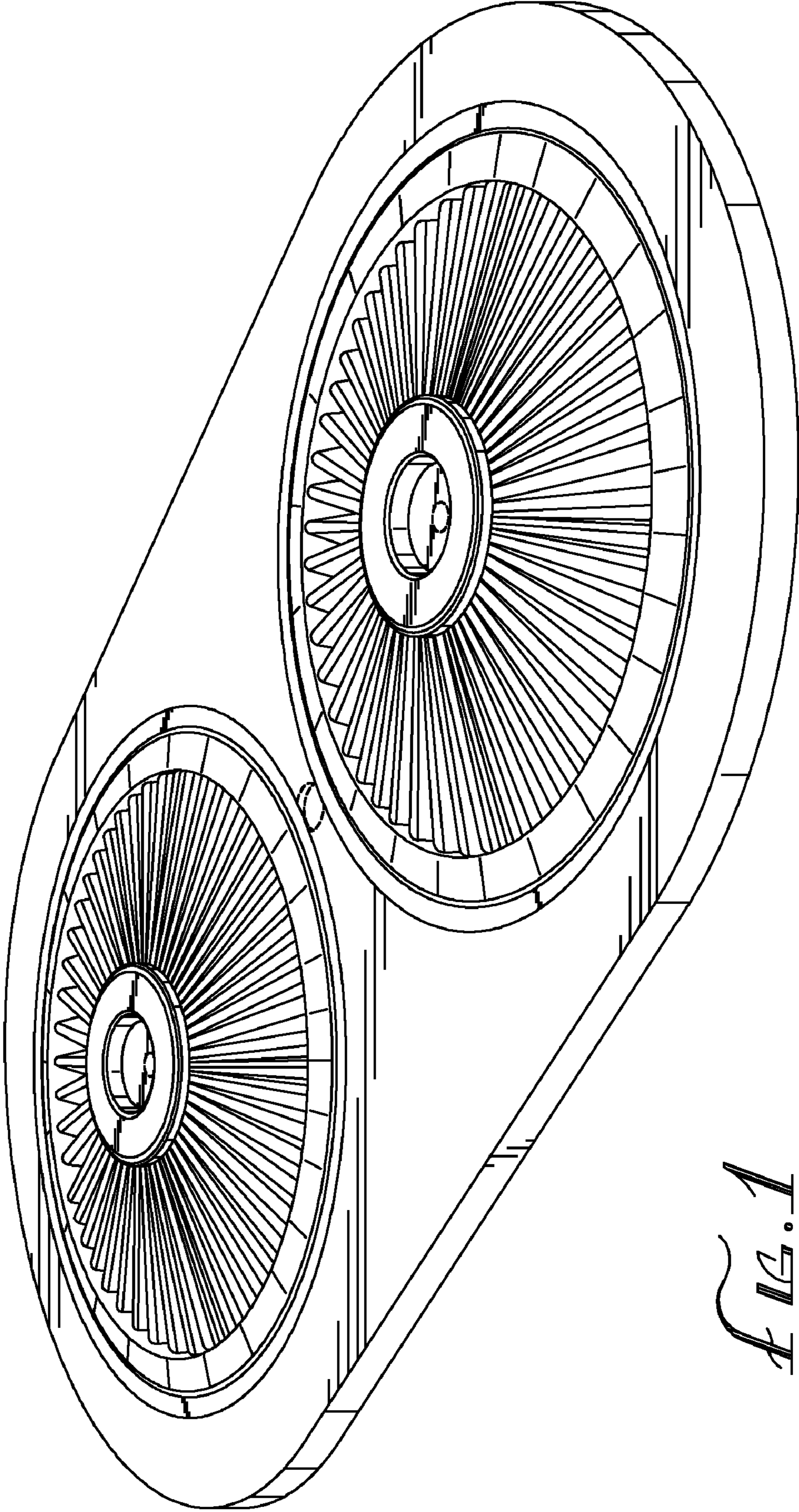


FIG. 1

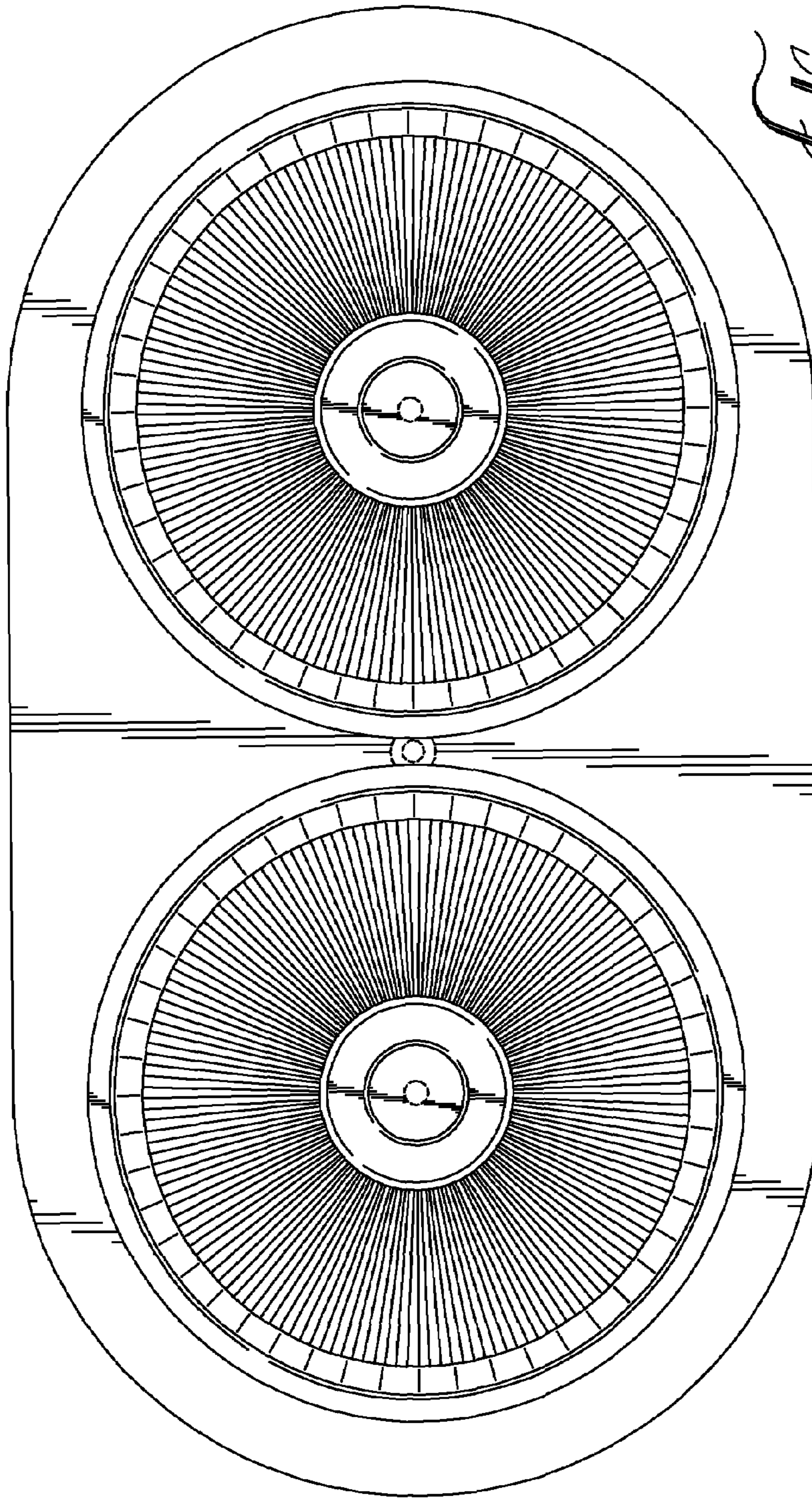


FIG. 2

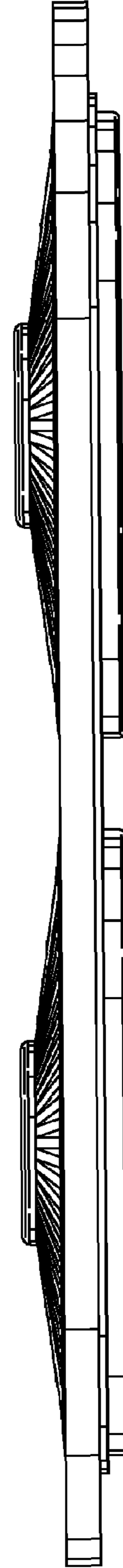


FIG. 3

